



US00D765460S

(12) **United States Design Patent** (10) **Patent No.:** **US D765,460 S**
Akiyama (45) **Date of Patent:** **** Sep. 6, 2016**

(54) **RICE COOKER**
 (71) Applicant: **ZOJIRUSHI CORPORATION**,
 Osaka-shi, Osaka (JP)

D684,807 S * 6/2013 Nakatani D7/354
 D698,593 S * 2/2014 Ishikawa D7/354
 D698,594 S * 2/2014 Ishikawa D7/354
 D712,695 S * 9/2014 Horimoto D7/354
 D730,678 S * 6/2015 Horimoto D7/354

(72) Inventor: **Keita Akiyama**, Osaka (JP)

FOREIGN PATENT DOCUMENTS

(73) Assignee: **Zojirushi Corporation** (JP)

JP	1168073	3/2003
JP	1168074	3/2003
JP	1173719	5/2003
JP	1218468	9/2004
JP	1273523	6/2006
JP	1292893	2/2007
JP	1331563	6/2008
JP	1332874	6/2008
JP	1376255	12/2009
JP	1460948	2/2013
JP	1460949	2/2013

(**) Term: **14 Years**

(21) Appl. No.: **29/526,291**

(22) Filed: **May 7, 2015**

(30) **Foreign Application Priority Data**

Nov. 14, 2014 (JP) 2014-025454

* cited by examiner

(51) **LOC (10) Cl.** **07-02**

Primary Examiner — Ricky Pham

(52) **U.S. Cl.**
 USPC **D7/354**

(74) *Attorney, Agent, or Firm* — Saidman DesignLaw Group, LLC

(58) **Field of Classification Search**
 USPC D7/323, 354–361
 CPC A47J 27/00; A47J 27/04; A47J 27/05;
 A47J 27/08; A47J 27/09; A47J 27/092;
 A47J 36/025; A47J 36/06; A47J 36/08;
 A47J 36/10; A47J 36/12; A47J 37/12;
 A47J 37/1204; A47J 37/1209; H05B 6/02;
 H05B 6/06; H05B 6/12
 See application file for complete search history.

(57) **CLAIM**
 The ornamental design for a rice cooker, as shown and described.

DESCRIPTION

(56) **References Cited**

U.S. PATENT DOCUMENTS

D330,825 S * 11/1992 Sekita D7/354
 D410,815 S * 6/1999 Oger D7/354
 D587,960 S * 3/2009 Kotani D7/354
 D604,092 S * 11/2009 Kotani D7/354
 D609,522 S * 2/2010 Nakatani D7/354
 D637,452 S * 5/2011 Nakatani D7/354
 D641,586 S * 7/2011 Martin D7/354
 D684,806 S * 6/2013 Nakatani D7/354

FIG. 1 is a top perspective view of a rice cooker showing my new design;
 FIG. 2 is a bottom perspective view thereof;
 FIG. 3 is a front elevational view thereof;
 FIG. 4 is a rear elevational view thereof;
 FIG. 5 is a left side view thereof;
 FIG. 6 is a right side view thereof;
 FIG. 7 is a top plan view thereof; and,
 FIG. 8 is a bottom plan view thereof.
 The broken lines depict environmental subject matter only and form no part of the claimed design.

1 Claim, 6 Drawing Sheets

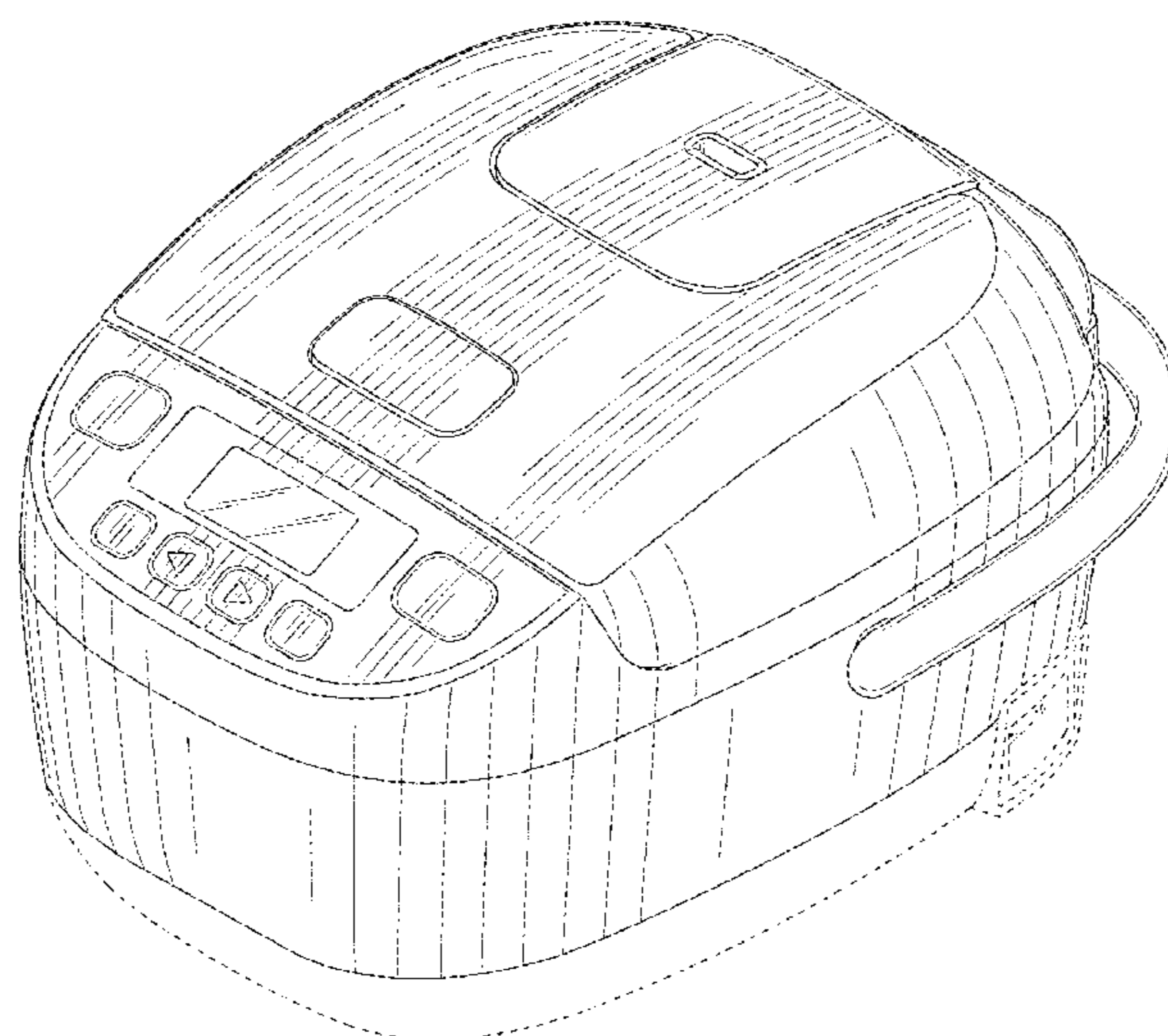


Fig. 1

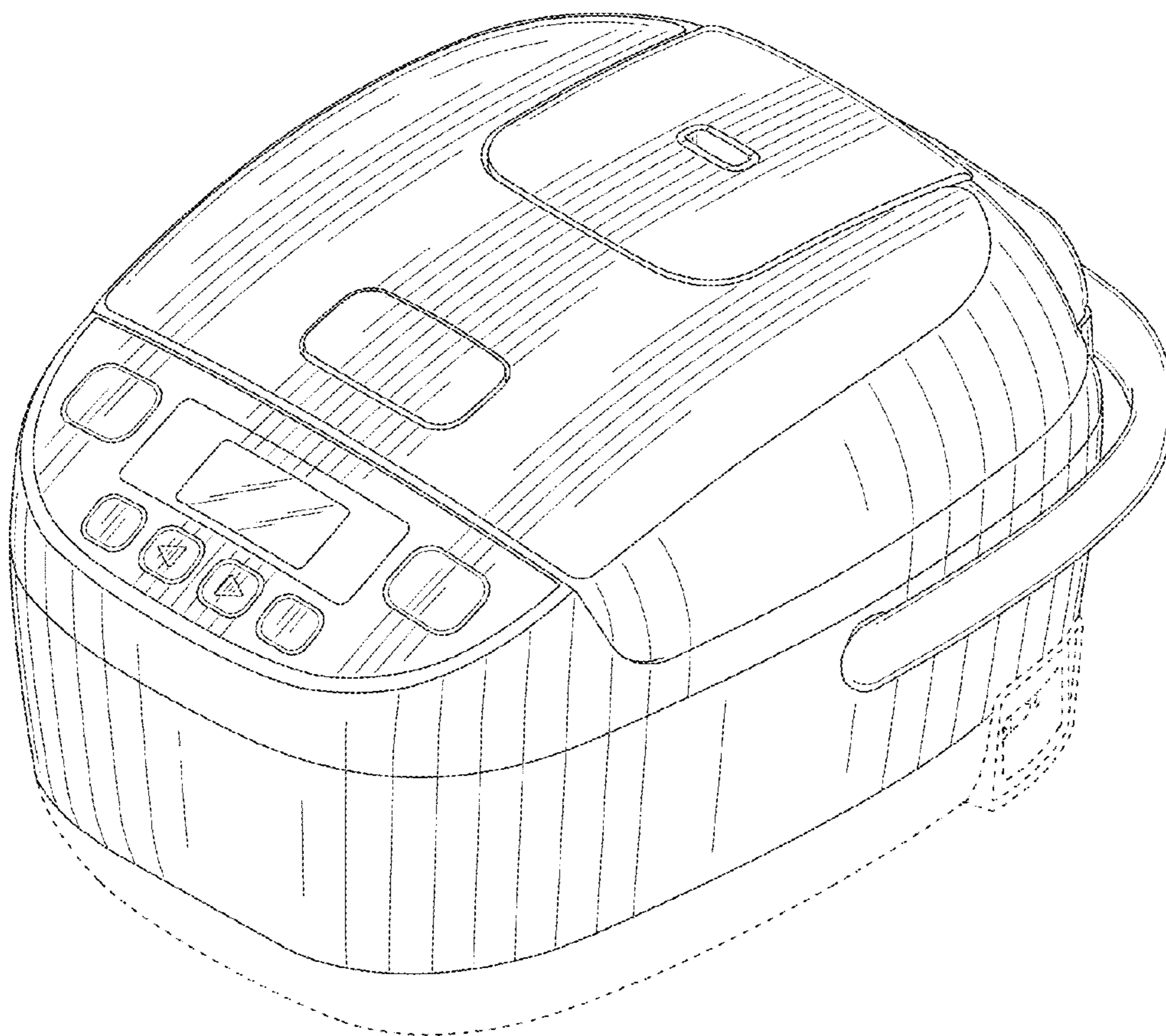


Fig. 2

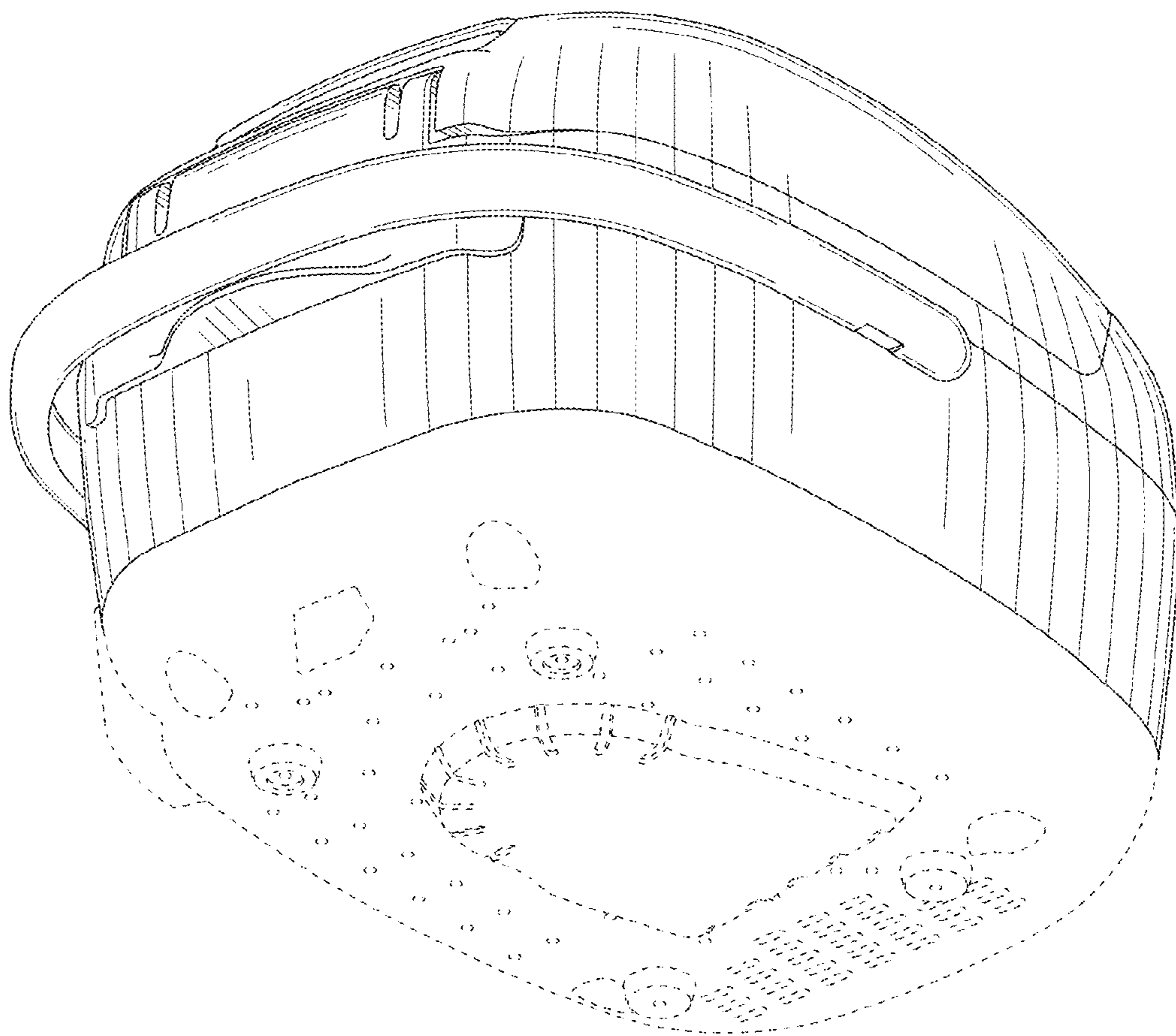


Fig. 3

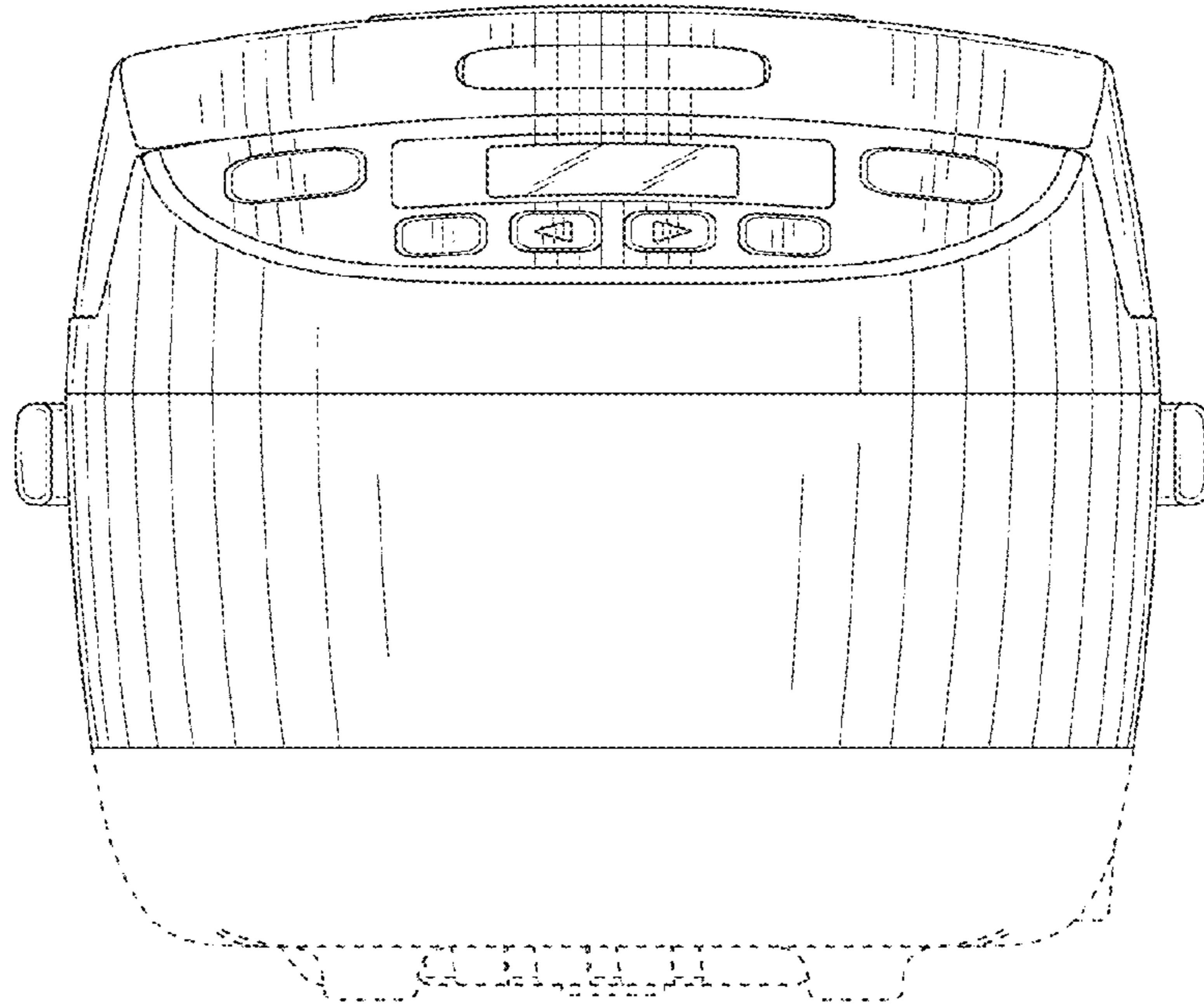


Fig. 4

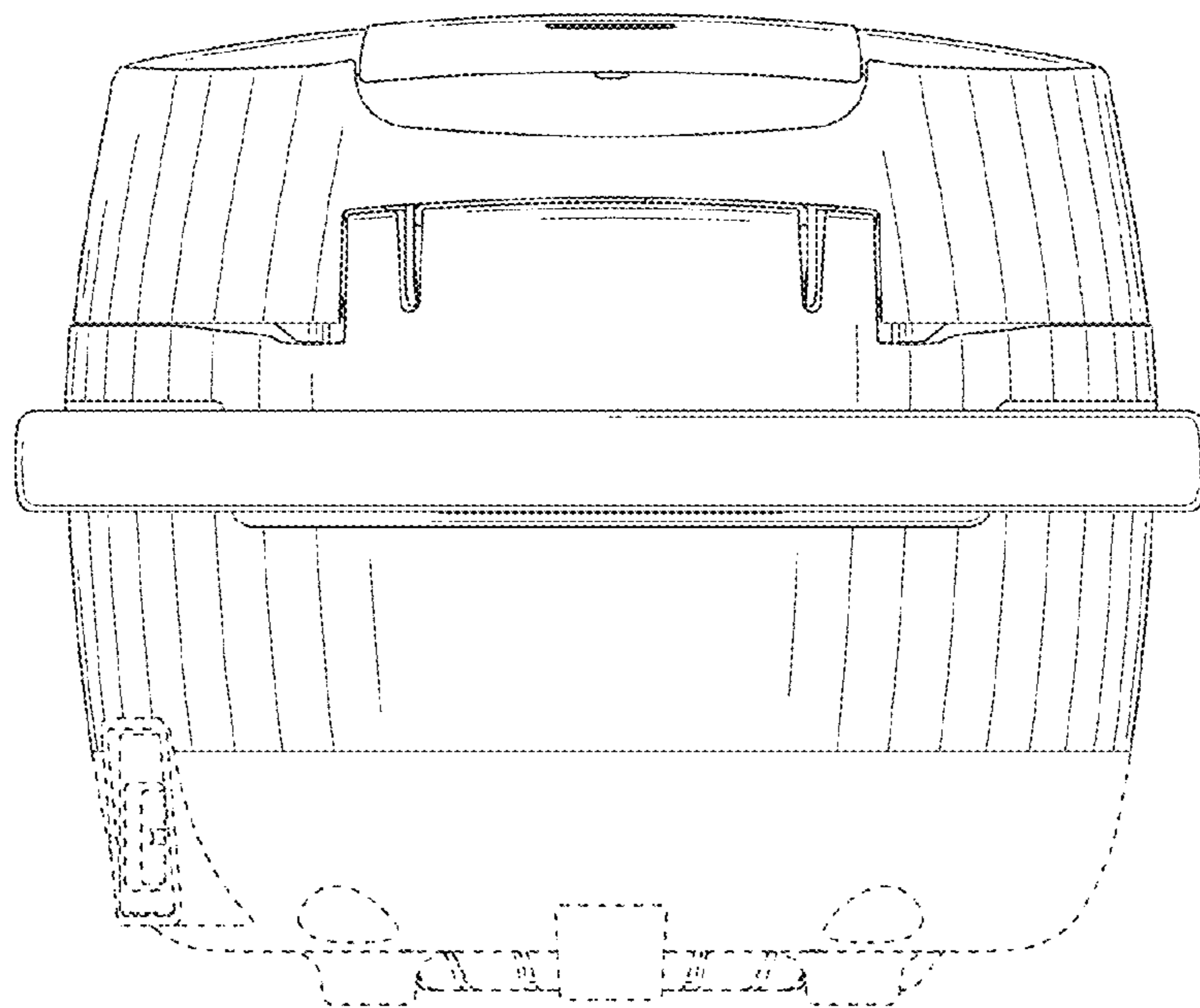


Fig. 5

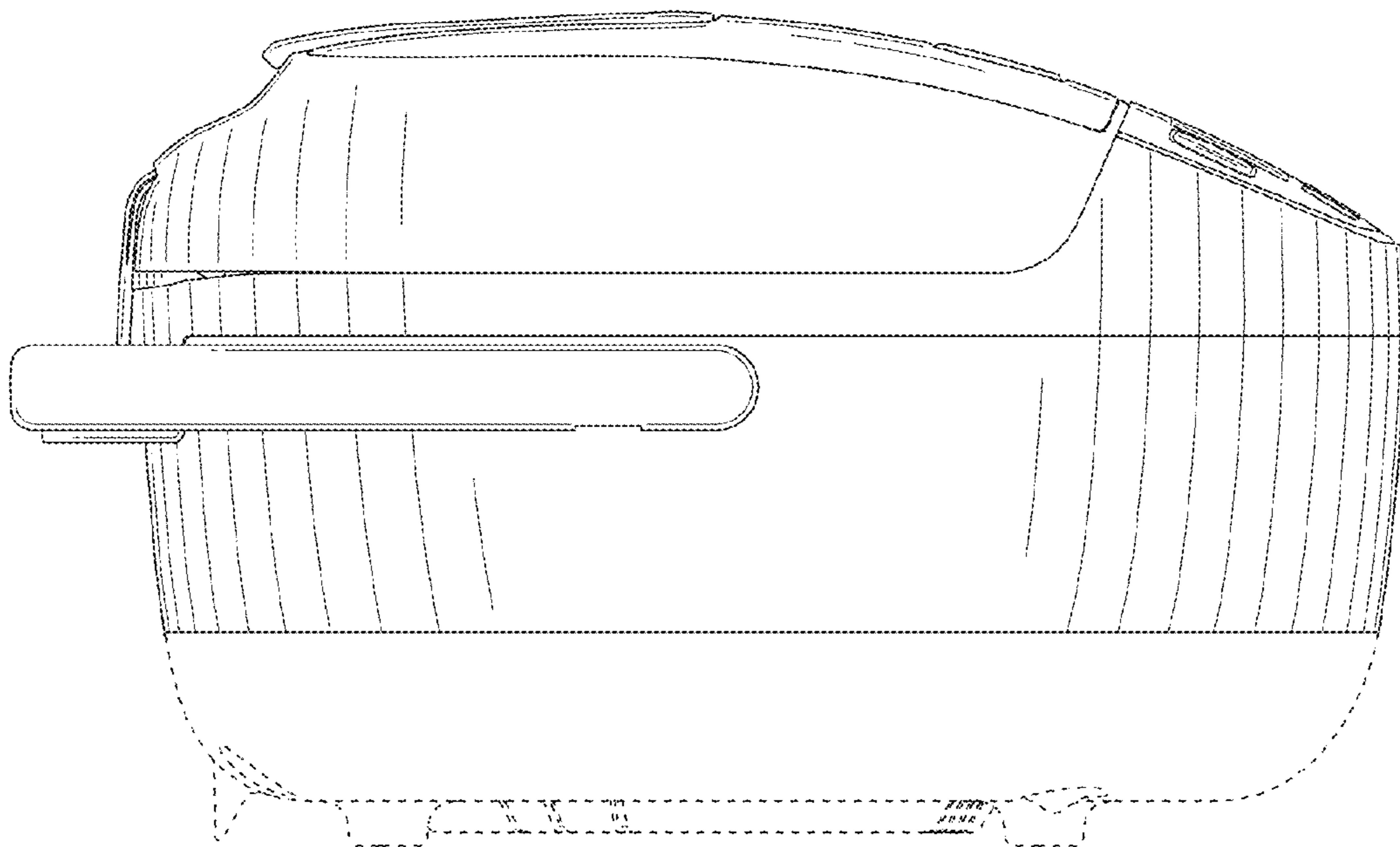


Fig. 6

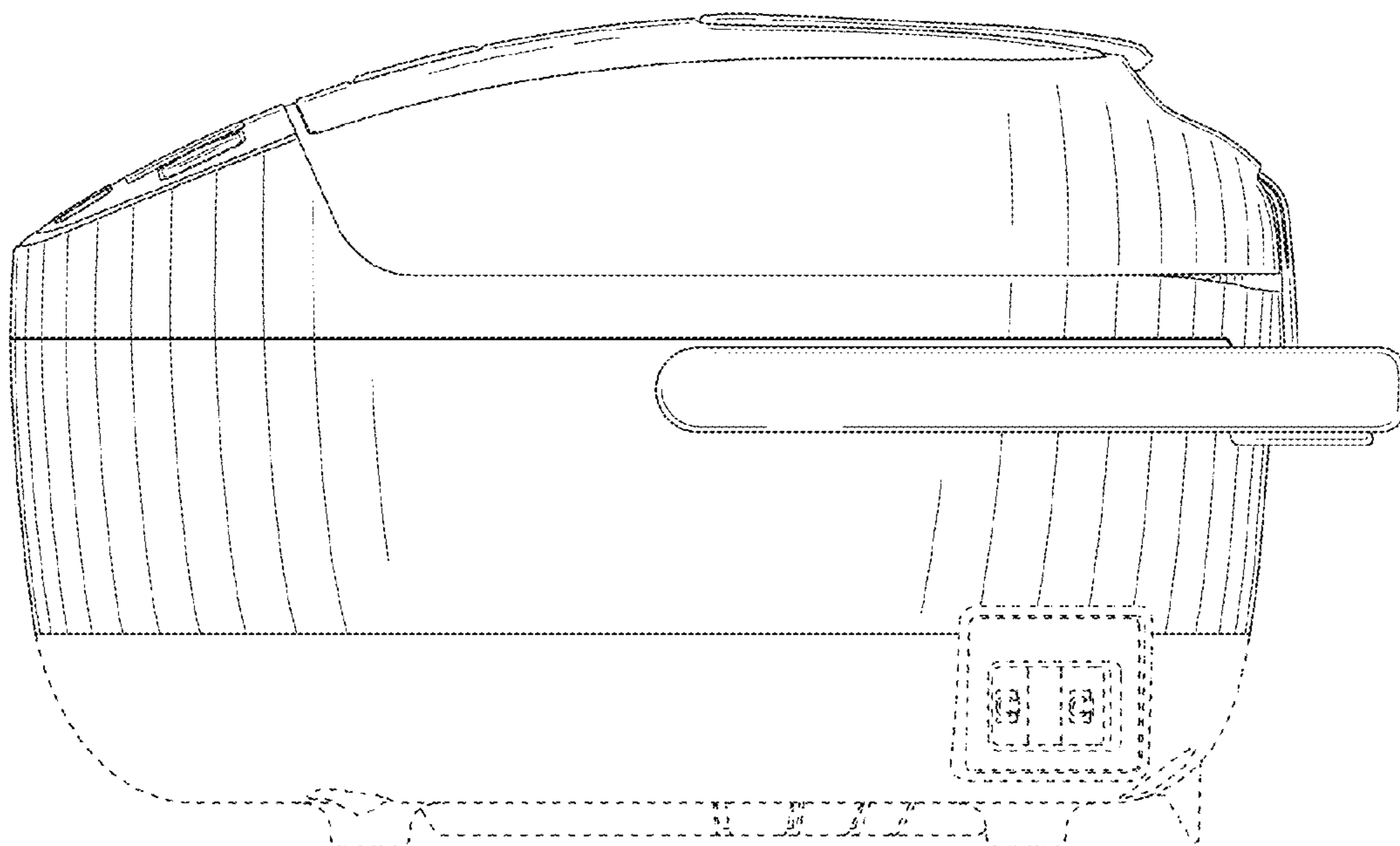


Fig. 7

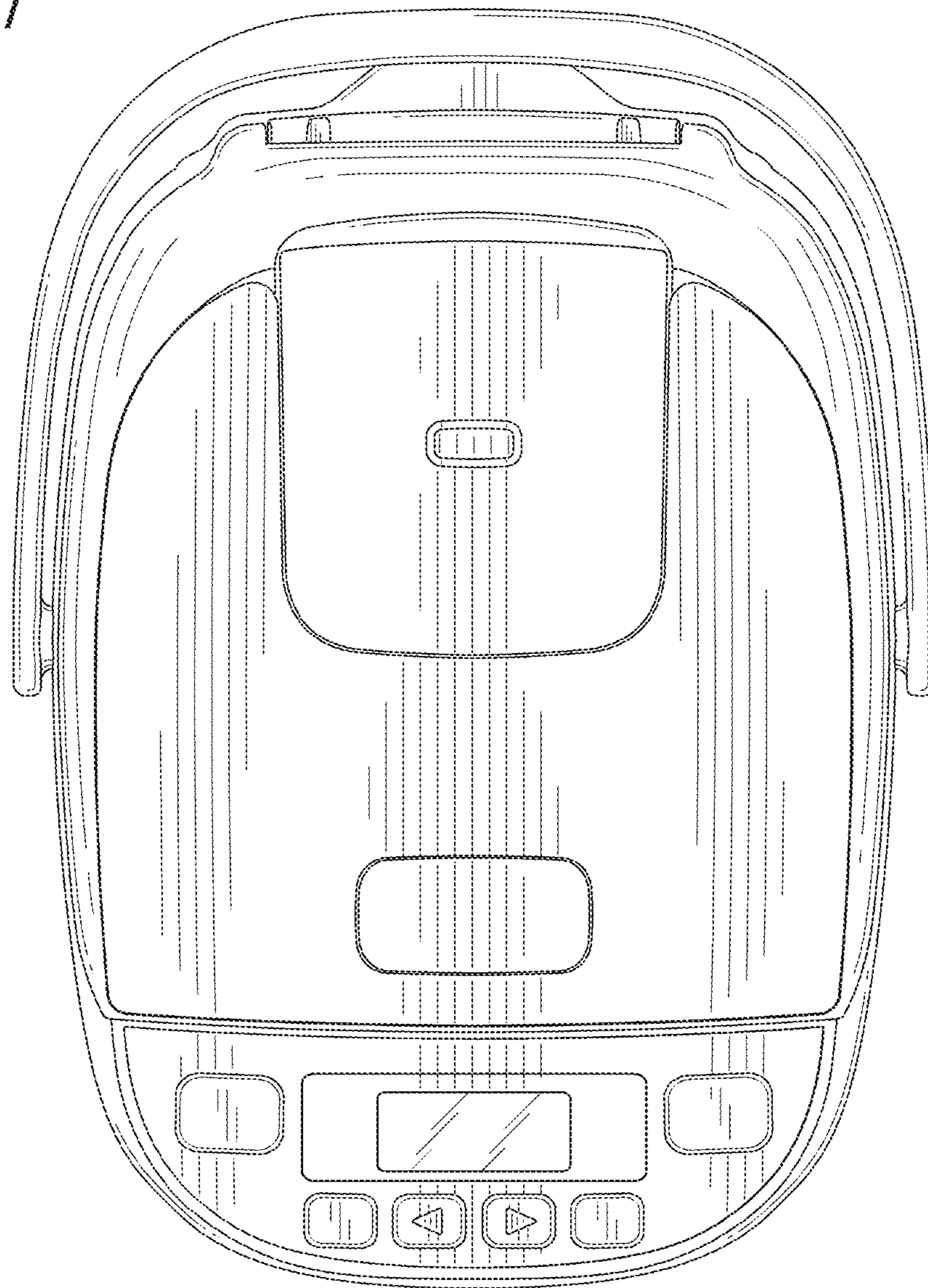


Fig. 8

