



US00D765458S

(12) **United States Design Patent** (10) **Patent No.:** **US D765,458 S**
Bertazzoni et al. (45) **Date of Patent:** **** Sep. 6, 2016**

(54) **COOKTOP**
(71) Applicant: **SMEG S.p.A.**, Guastalla (IT)
(72) Inventors: **Vittorio Bertazzoni**, Parma (IT); **Carlo Zambruni**, Casalmaggiore (IT)
(73) Assignee: **SMEG S.p.A.**, Guastalla (RE) (IT)
(**) Term: **14 Years**
(21) Appl. No.: **29/504,134**
(22) Filed: **Oct. 2, 2014**

(30) **Foreign Application Priority Data**

Apr. 4, 2014 (EM) 002440826

(51) **LOC (10) Cl.** **07-02**
(52) **U.S. Cl.**
USPC **D7/346**

(58) **Field of Classification Search**
USPC D7/332-351, 362-367, 402-409;
D23/415
CPC F24C 15/10; F24C 7/083; F24C 3/085;
F24C 15/107; F24C 3/08; F24C 3/126;
F24C 3/124; F24C 15/023; F24C 15/322;
F24C 15/325; F24C 15/327; F24C 7/08;
F24C 15/04; H05B 6/062; H05B 1/0266;
F23D 14/06; F23D 2900/14062; F23D
14/105; F23D 14/045; A47J 37/0713
See application file for complete search history.

(56) **References Cited**

U.S. PATENT DOCUMENTS

D43,917 S * 4/1913 Waterman D7/346
1,818,222 A * 8/1931 Hughes F23D 14/045
239/433
D87,791 S * 9/1932 Osius D7/367
D126,422 S * 4/1941 Parker D7/408
2,307,063 A * 1/1943 Parker F24C 15/10
126/39 H
D172,440 S * 6/1954 Platt D7/363

D238,741 S * 2/1976 Wright D7/346
D252,971 S * 9/1979 Ito D7/337
D350,256 S * 9/1994 Wang D7/362
D353,300 S * 12/1994 Edman D7/408
D369,509 S * 5/1996 Kaga D7/362
6,299,436 B1 * 10/2001 Huang F23D 14/06
126/39 R
D542,587 S * 5/2007 Jensen D7/346
D544,291 S * 6/2007 Kong D7/337
D625,145 S * 10/2010 King D7/408
D643,683 S * 8/2011 Funnell D7/408
D693,175 S * 11/2013 Saubert D7/407
D724,371 S * 3/2015 Min D7/337
D736,553 S * 8/2015 Funnell, II D7/339
2008/0115778 A1 * 5/2008 Cadima F24C 15/107
126/152 B
2012/0012098 A1 * 1/2012 Berr F24C 15/107
126/39 B
2012/0082765 A1 * 4/2012 Lin F24C 3/126
426/233
2014/0190467 A1 * 7/2014 Cadima F23D 14/06
126/39 E
2014/0251305 A1 * 9/2014 Rasi F24C 15/107
126/39 E

* cited by examiner

Primary Examiner — Susan Bennett Hattan

Assistant Examiner — Brett Miller

(74) *Attorney, Agent, or Firm* — Husch Blackwell LLP

(57) **CLAIM**

We claim the ornamental design for a cooktop, as shown and described.

DESCRIPTION

FIG. 1 is a perspective view of a cooktop showing our new design.

FIG. 2 is a top planform view of FIG. 1.

FIG. 3 is a front elevational view of FIG. 1.

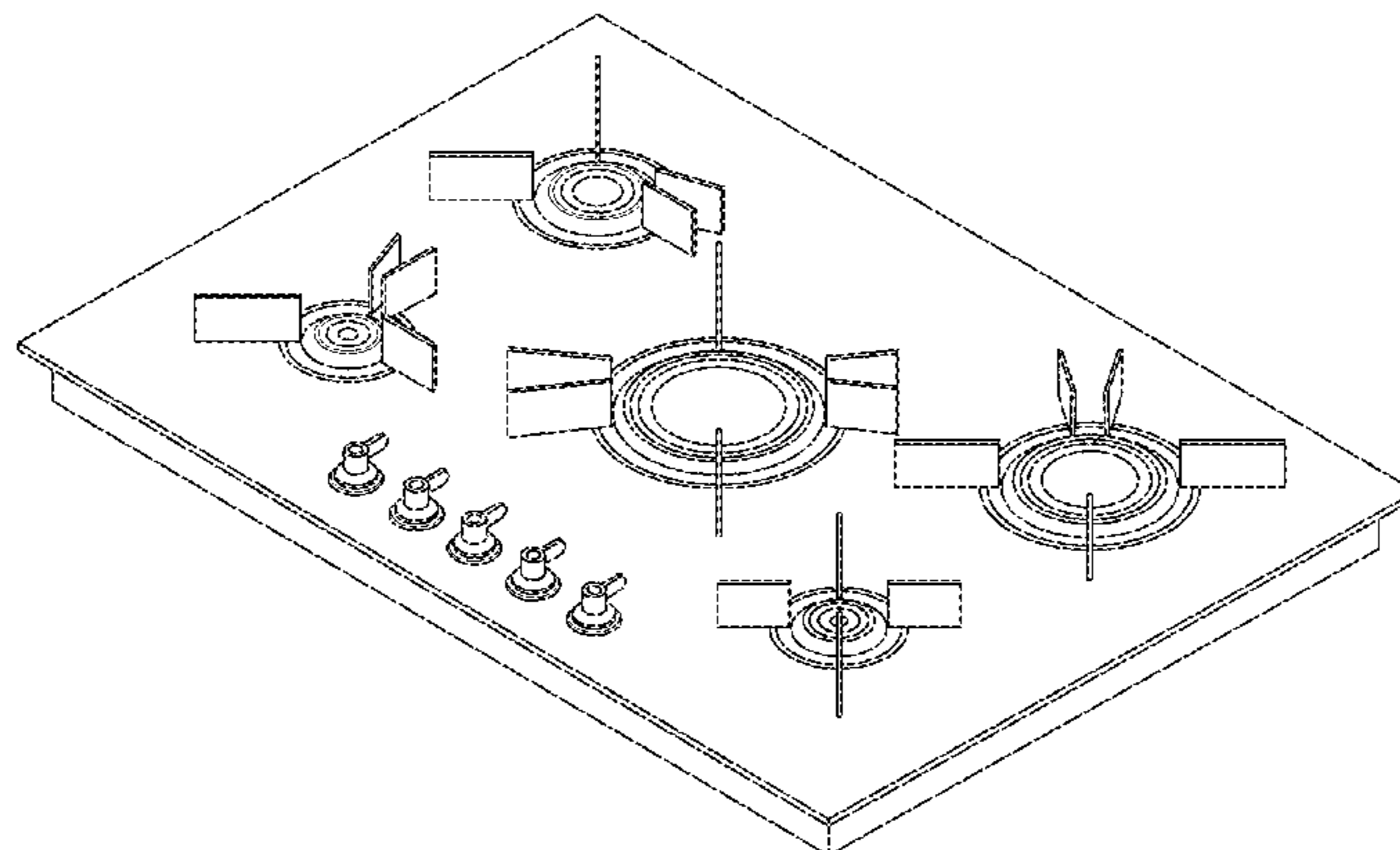
FIG. 4 is a right side elevational view of FIG. 1.

FIG. 5 is a rear elevational view of FIG. 1.

FIG. 6 is a left side elevational view of FIG. 1; and,

FIG. 7 is a bottom planform view of FIG. 1.

1 Claim, 5 Drawing Sheets



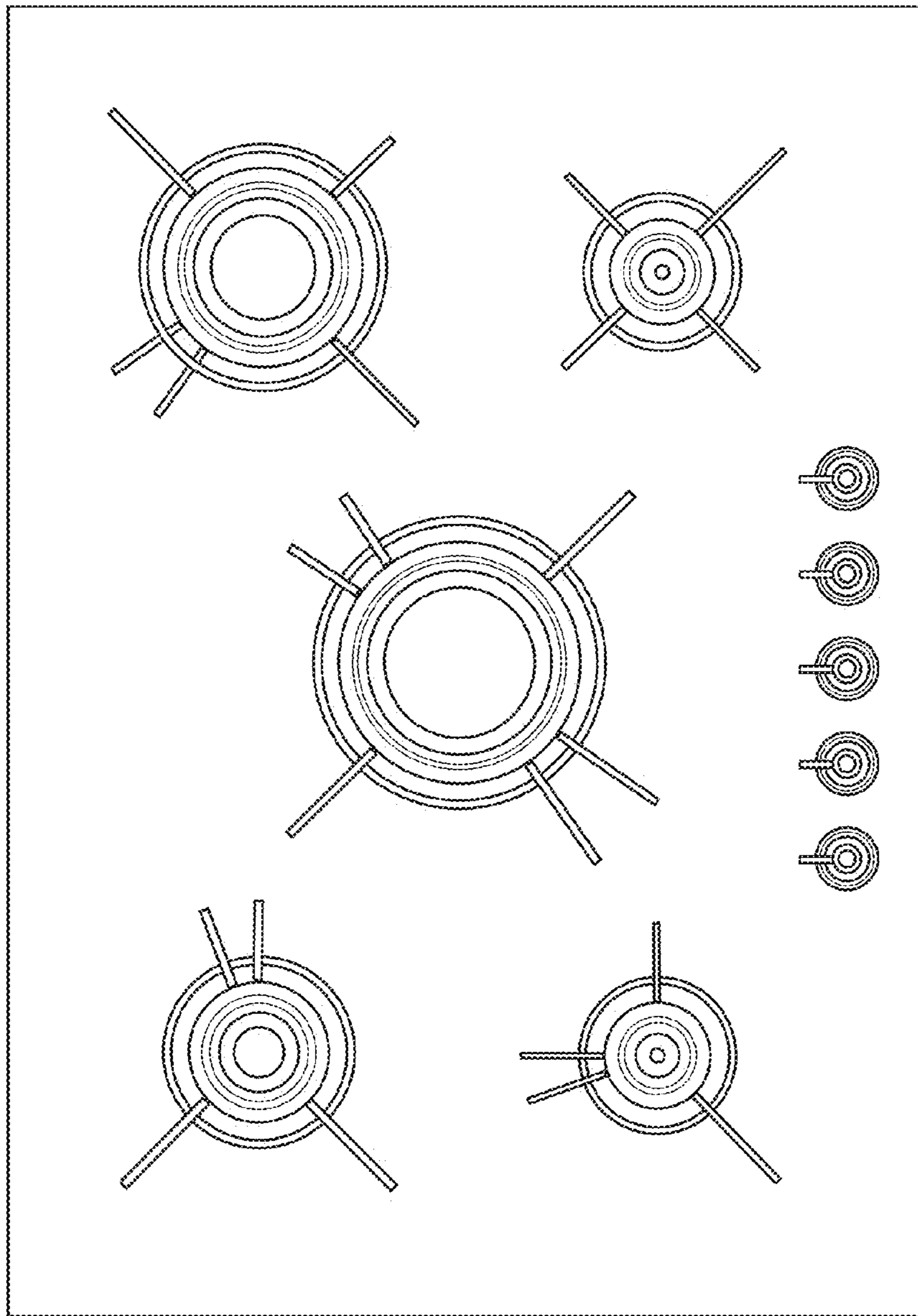


FIG. 2

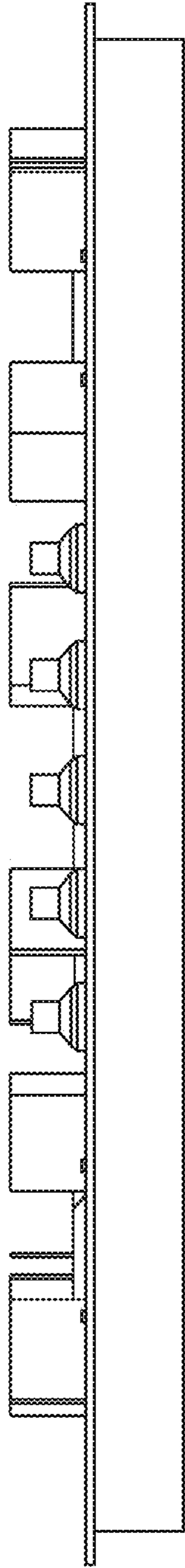


FIG. 3

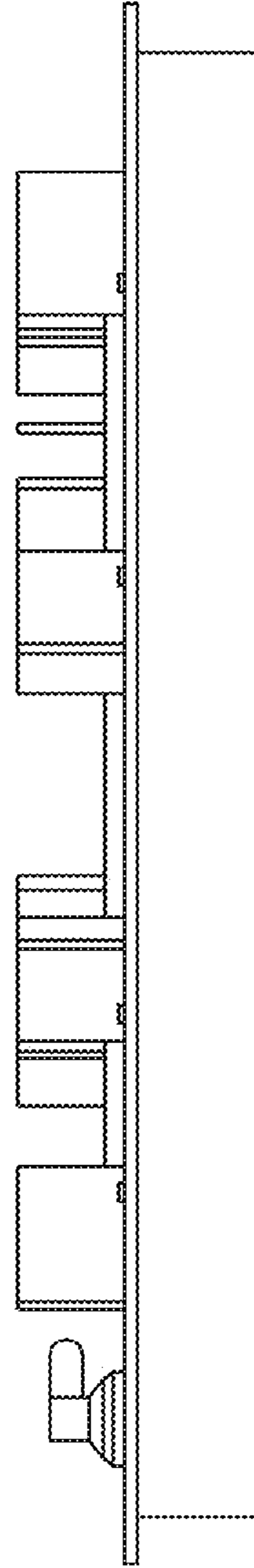


FIG. 4

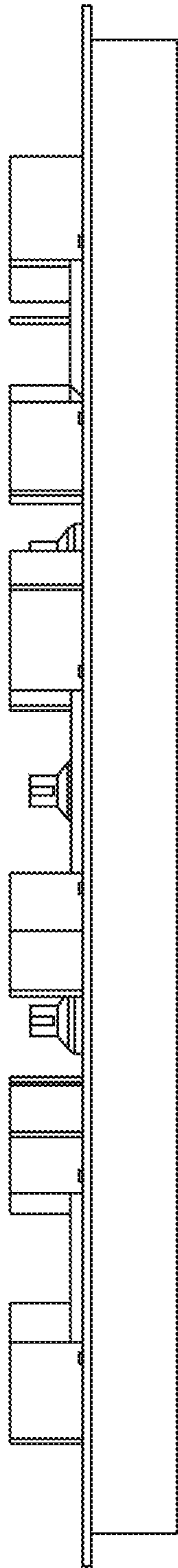


FIG. 5

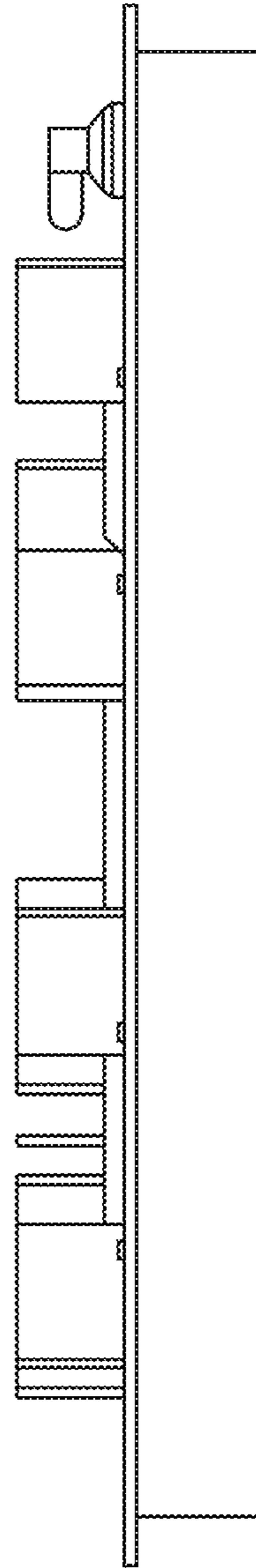


FIG. 6

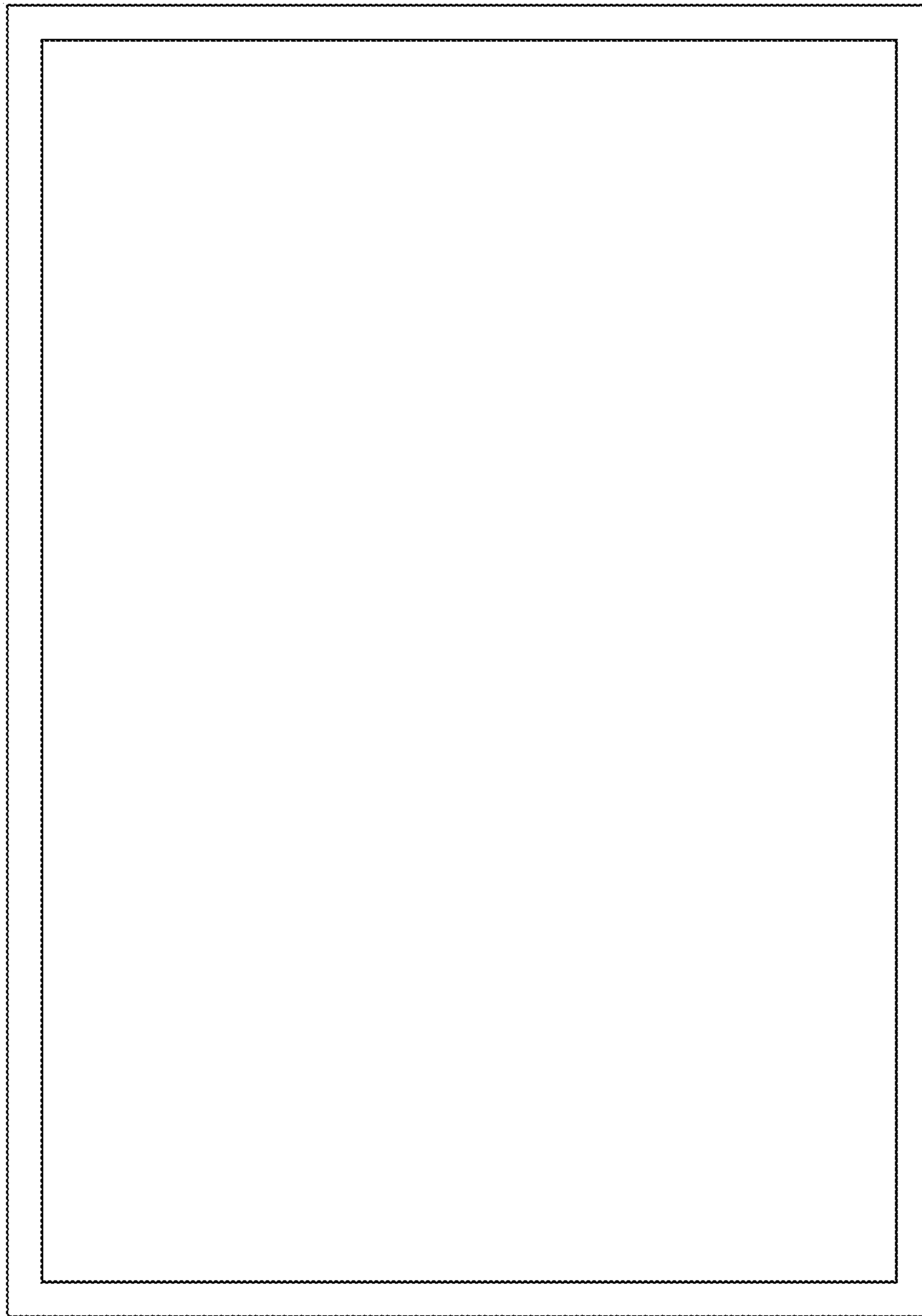


FIG. 7