

US00D765457S

(12) **United States Design Patent** (10) **Patent No.:** **US D765,457 S**
Schwamkrug et al. (45) **Date of Patent:** **** Sep. 6, 2016**

(54) **COMBI OVEN WITH HORIZONTAL WINDOW**

(71) Applicant: **Convotherm Elektrogerate GmbH**, Eglfing (DE)

(72) Inventors: **Christian Schwamkrug**, Zell am See (AT); **Siegfried Ebner**, Zell am See (AT); **Martin Behle**, Remscheid (DE); **Hannes Laessig**, Munich (DE); **Stan Smits**, Weilheim (DE); **Herbert Fischhaber**, Peibeneberg (DE)

(73) Assignee: **CONVOTHERM ELEKTROGERAETE GMBH**, Eglfing (DE)

(**) Term: **14 Years**

(21) Appl. No.: **29/493,037**

(22) Filed: **Jun. 5, 2014**

(30) **Foreign Application Priority Data**

Apr. 8, 2014 (CN) 2014 3 0080492

(51) **LOC (10) Cl.** **07-02**

(52) **U.S. Cl.**
USPC **D7/339**

(58) **Field of Classification Search**
USPC D7/306-307, 323, 328-330, 339, D7/347-348, 350.1, 350.3, 390
CPC A21B 2/00; A47J 37/00; A47J 37/06; A47J 37/0611; A47J 37/08; A47J 37/0807; A47J 37/0814; A47J 37/0835; A47J 37/0842; A47J 37/085; A47J 37/0864; A47J 37/0878; A47J 37/0885; A47J 37/0892; F24C 15/10; F24C 15/102

See application file for complete search history.

(56) **References Cited**

U.S. PATENT DOCUMENTS

D318,775 S * 8/1991 Bonnet et al. D7/350.3
D343,090 S * 1/1994 Connell D7/339

D526,527 S * 8/2006 Jung et al. D7/348
D560,421 S * 1/2008 Davis D7/348
D567,571 S * 4/2008 Hillmann et al. D7/347
D598,236 S * 8/2009 Dyson et al. D7/328
D609,958 S * 2/2010 Chung et al. D7/330
D611,753 S * 3/2010 Gammack et al. D7/306
D657,184 S * 4/2012 Segato D7/348
D657,185 S * 4/2012 Segato D7/348
D669,727 S * 10/2012 Pagano D7/307
D702,482 S * 4/2014 Davis et al. D7/350.1
2005/0178757 A1 * 8/2005 Starr et al. 219/386

* cited by examiner

Primary Examiner — Ricky Pham

(74) *Attorney, Agent, or Firm* — Ohlandt, Greeley, Ruggiero & Perle, LLP

(57) **CLAIM**

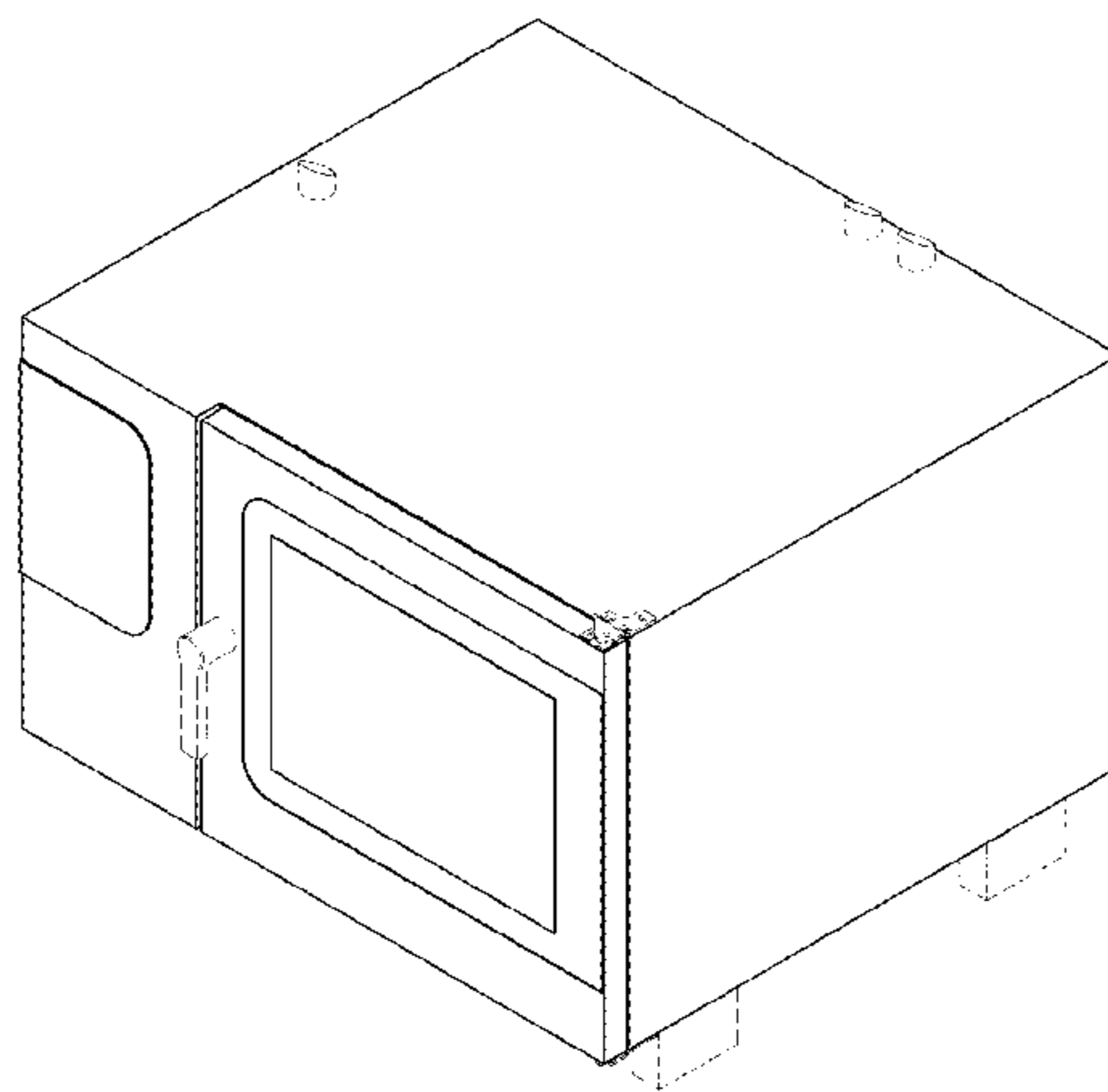
The ornamental design for a combi oven with horizontal window, as shown and described.

DESCRIPTION

FIG. 1 is a top, front, side perspective view of a combi oven with horizontal window according to the present design; FIG. 2 is a front view of the combi oven with horizontal window of FIG. 1; FIG. 3 is a rear view of the combi oven with horizontal window of FIG. 1; FIG. 4 is a right side view of the combi oven with horizontal window of FIG. 1; FIG. 5 is a left side view of the combi oven with horizontal window of FIG. 1; FIG. 6 is a top view of the combi oven with horizontal window of FIG. 1; and, FIG. 7 is a bottom view of the combi oven with horizontal window of FIG. 1.

The broken line showing of FIGS. 1-7 is for the purpose of illustrating environmental structure and forms no part of the claimed design.

1 Claim, 7 Drawing Sheets



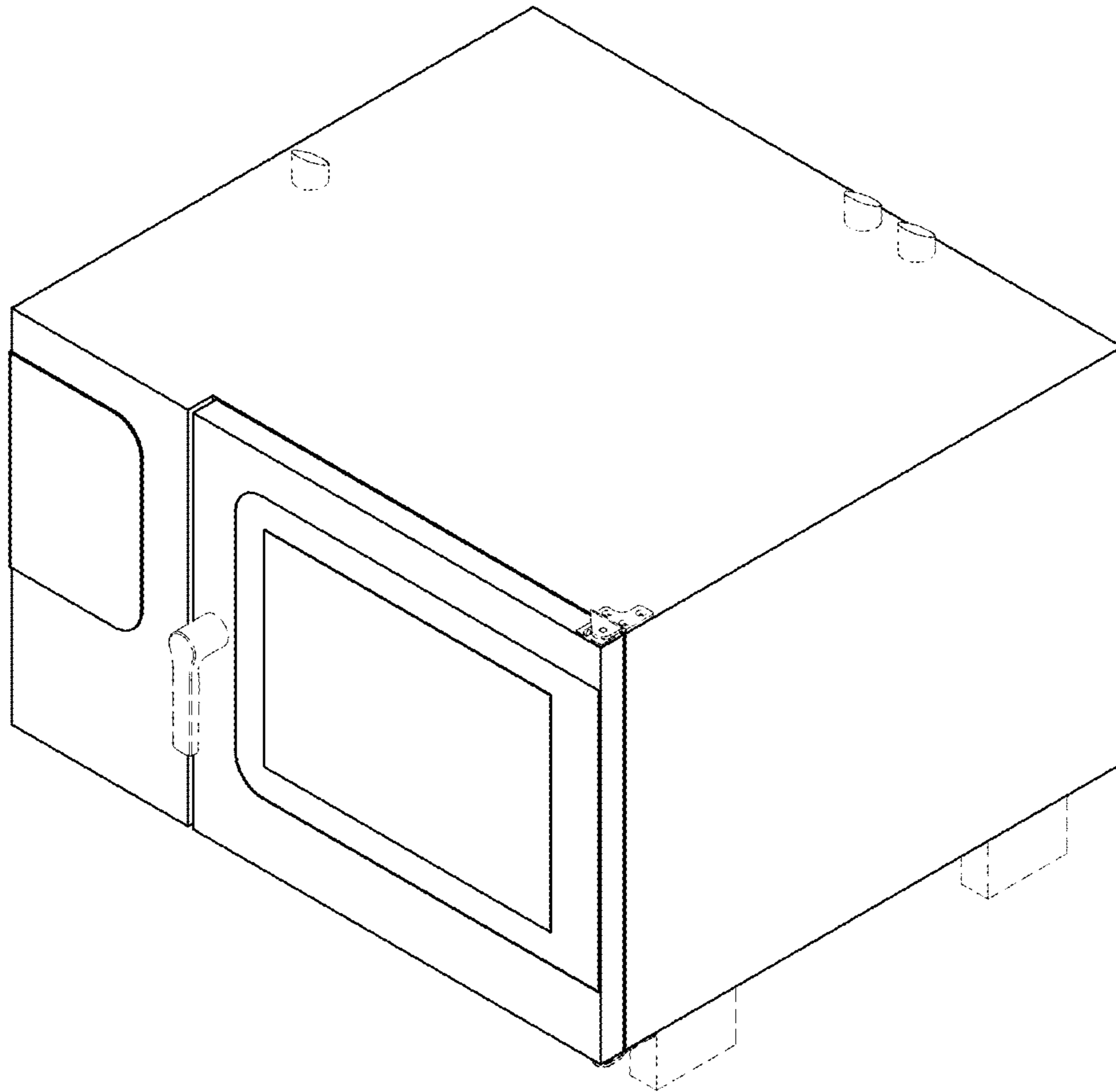


FIG. 1

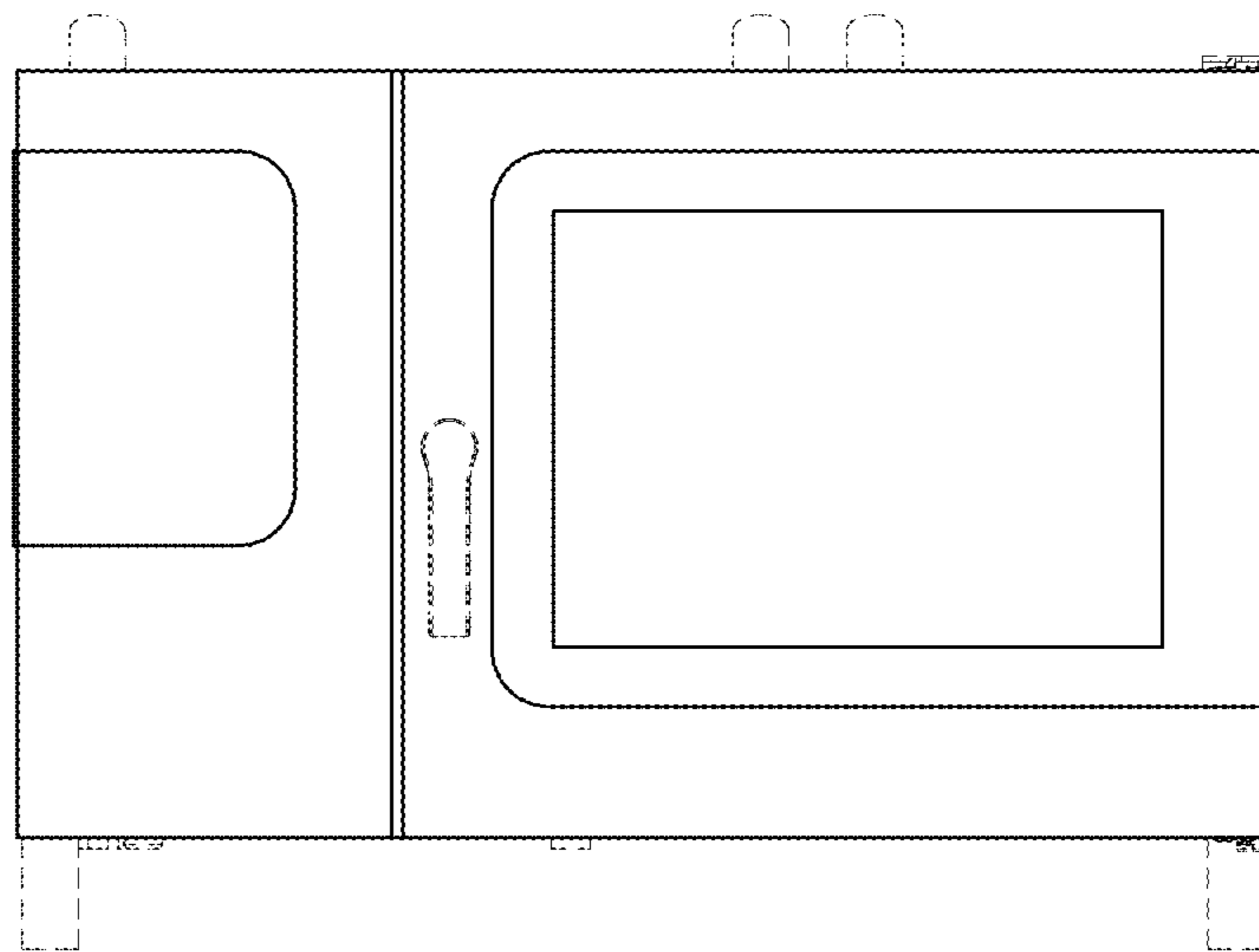


FIG. 2

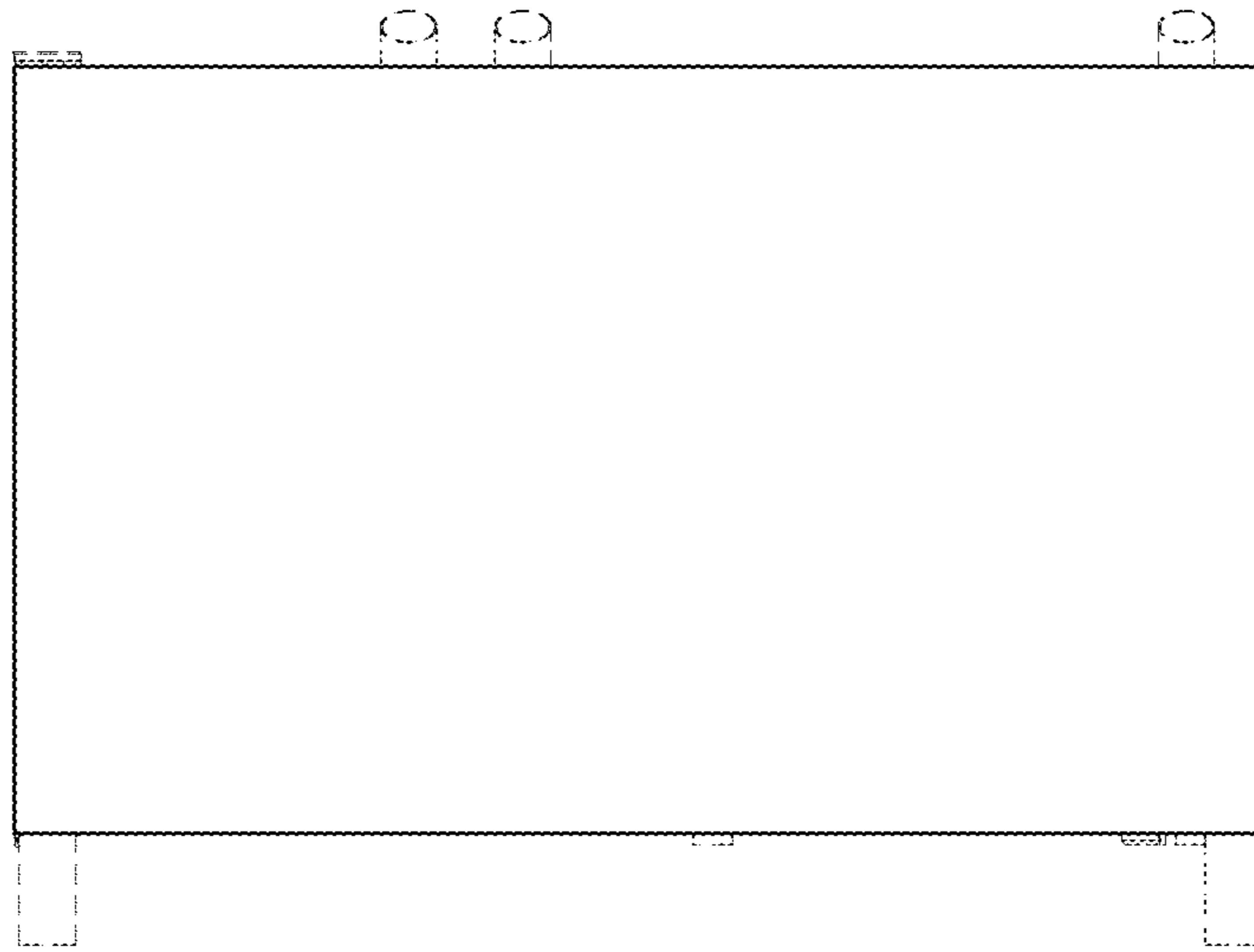


FIG. 3

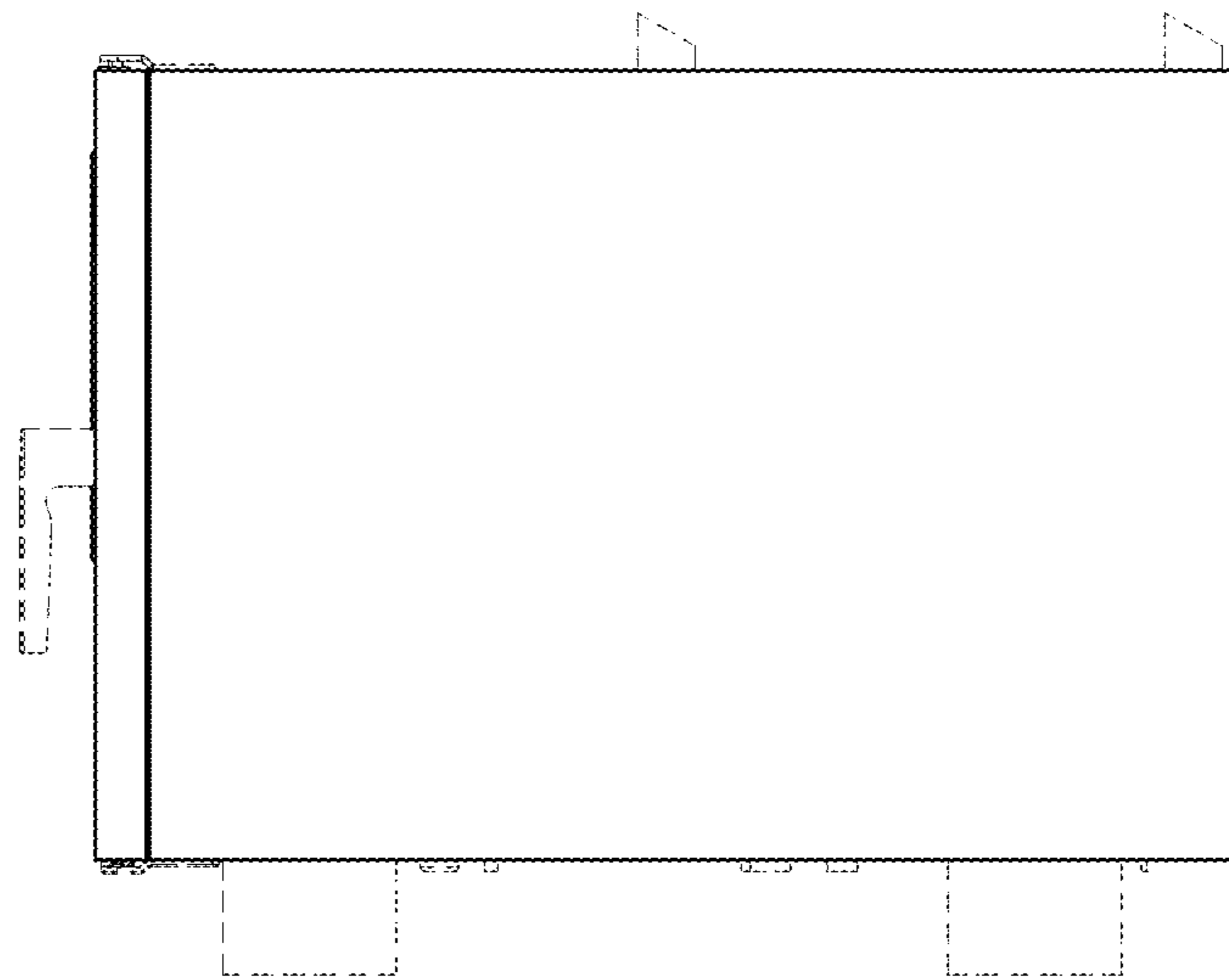


FIG. 4

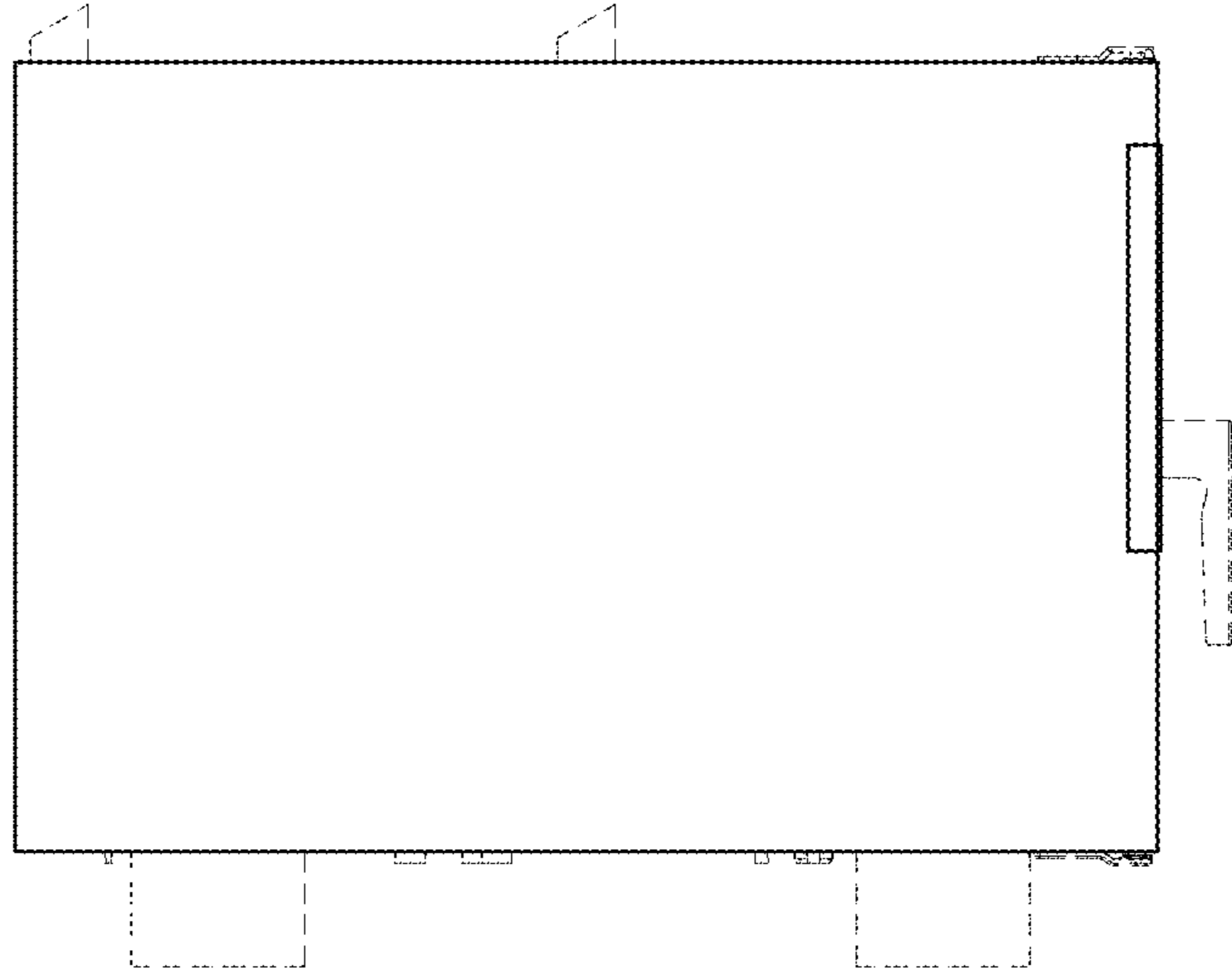


FIG. 5

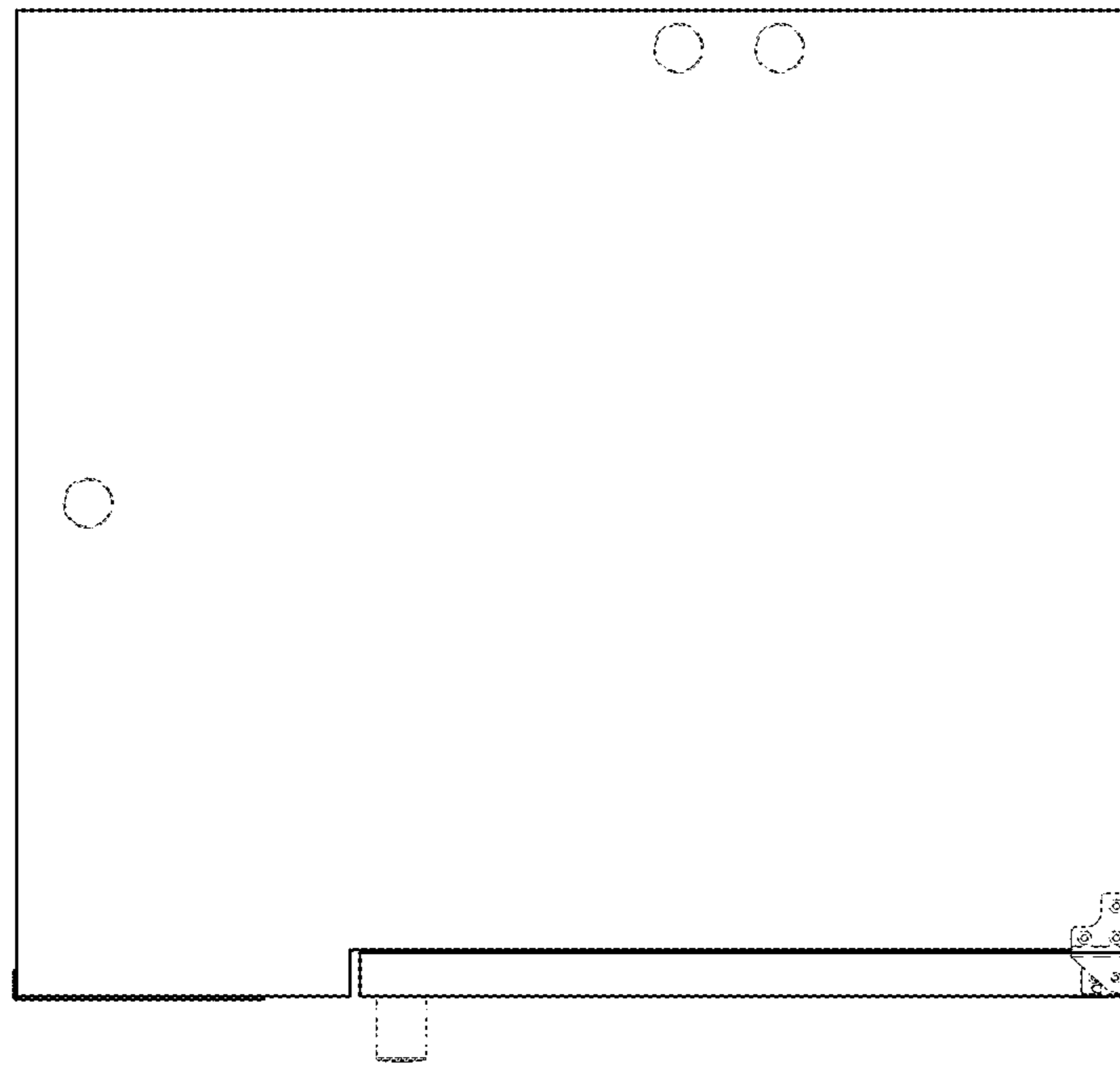


FIG. 6

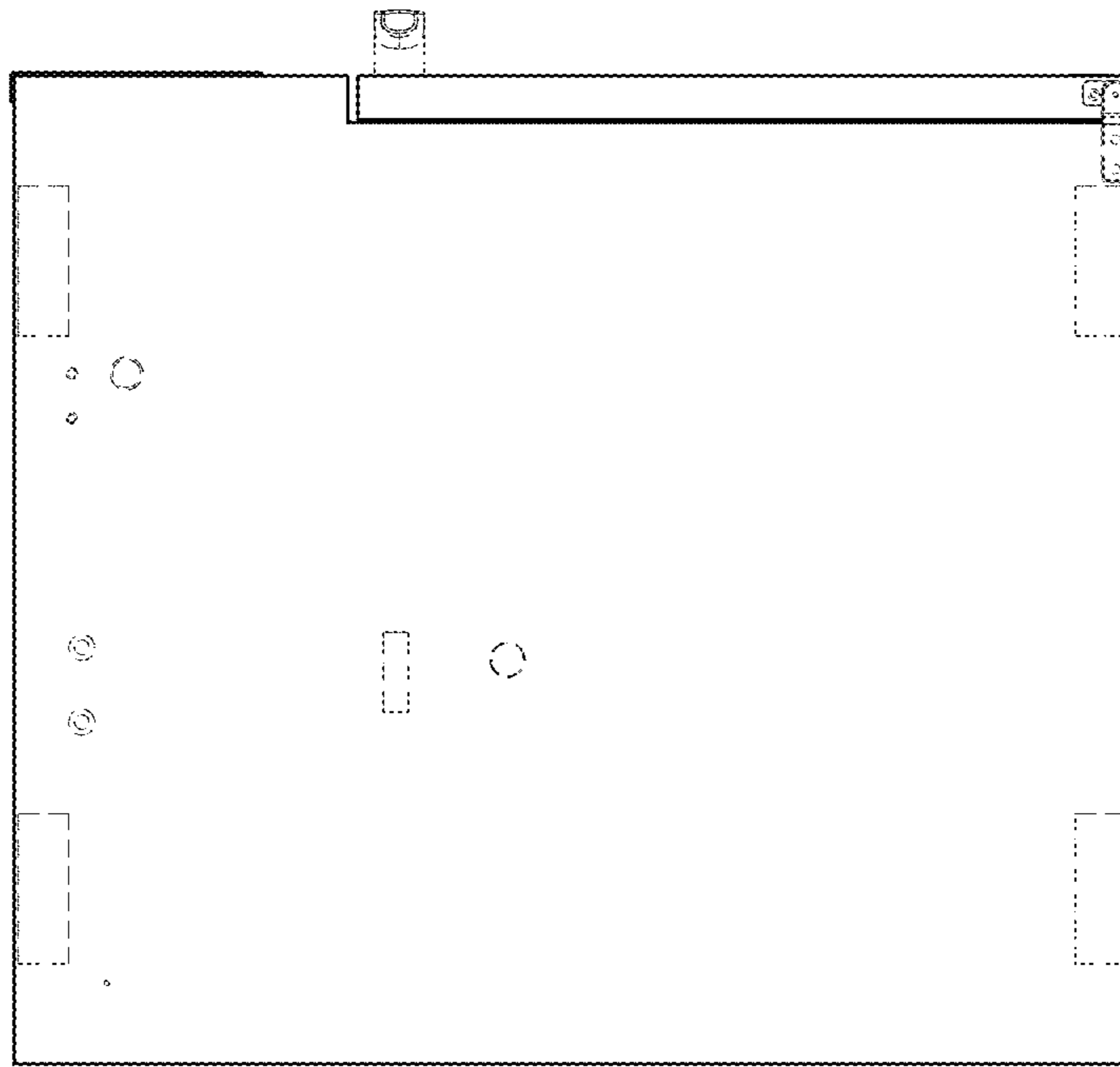


FIG. 7