



US00D765456S

(12) **United States Design Patent** (10) **Patent No.:** **US D765,456 S**
Lee et al. (45) **Date of Patent:** **** Sep. 6, 2016**

(54) **TOASTER**

(56) **References Cited**

(71) Applicant: **Helen of Troy Limited**, Belleville, St. Michael (BB)

U.S. PATENT DOCUMENTS

(72) Inventors: **Alexander T. F. Lee**, New York, NY (US); **Davin Stowell**, New York, NY (US); **Joern Vicari**, Brooklyn, NY (US); **Christopher Xydis**, San Francisco, CA (US)

| | | | | |
|----------------|---------|-------------|-------|--------------|
| D413,224 S * | 8/1999 | Cruz | | D7/330 |
| D502,839 S * | 3/2005 | Cuffaro | | D7/330 |
| D509,702 S * | 9/2005 | Picozza | | D7/330 |
| D510,676 S * | 10/2005 | Picozza | | D7/330 |
| D520,801 S * | 5/2006 | Cuffaro | | D7/330 |
| D644,473 S * | 9/2011 | Pantaleo | | D7/330 |
| D655,126 S * | 3/2012 | Gregory | | D7/330 |
| D688,509 S * | 8/2013 | Carlson | | D7/330 |
| D701,720 S * | 4/2014 | Palermo | | D7/330 |
| D702,074 S * | 4/2014 | De'Longhi | | D7/330 |
| D724,885 S * | 3/2015 | Kunz | | D7/330 |
| 9,131,804 B2 * | 9/2015 | Turner | | A47J 37/0814 |
| D746,093 S * | 12/2015 | Bazzicalupo | | D7/330 |

(73) Assignee: **Helen of Troy Limited**, Belleville, St. Michael (BB)

(**) Term: **15 Years**

* cited by examiner

(21) Appl. No.: **29/530,377**

Primary Examiner — Ricky Pham

(22) Filed: **Jun. 16, 2015**

(74) *Attorney, Agent, or Firm* — Rankin, Hill & Clark LLP

(51) **LOC (10) Cl.** **07-02**

(57) **CLAIM**

The ornamental design for a toaster, as shown and described.

(52) **U.S. Cl.**

DESCRIPTION

USPC **D7/330**

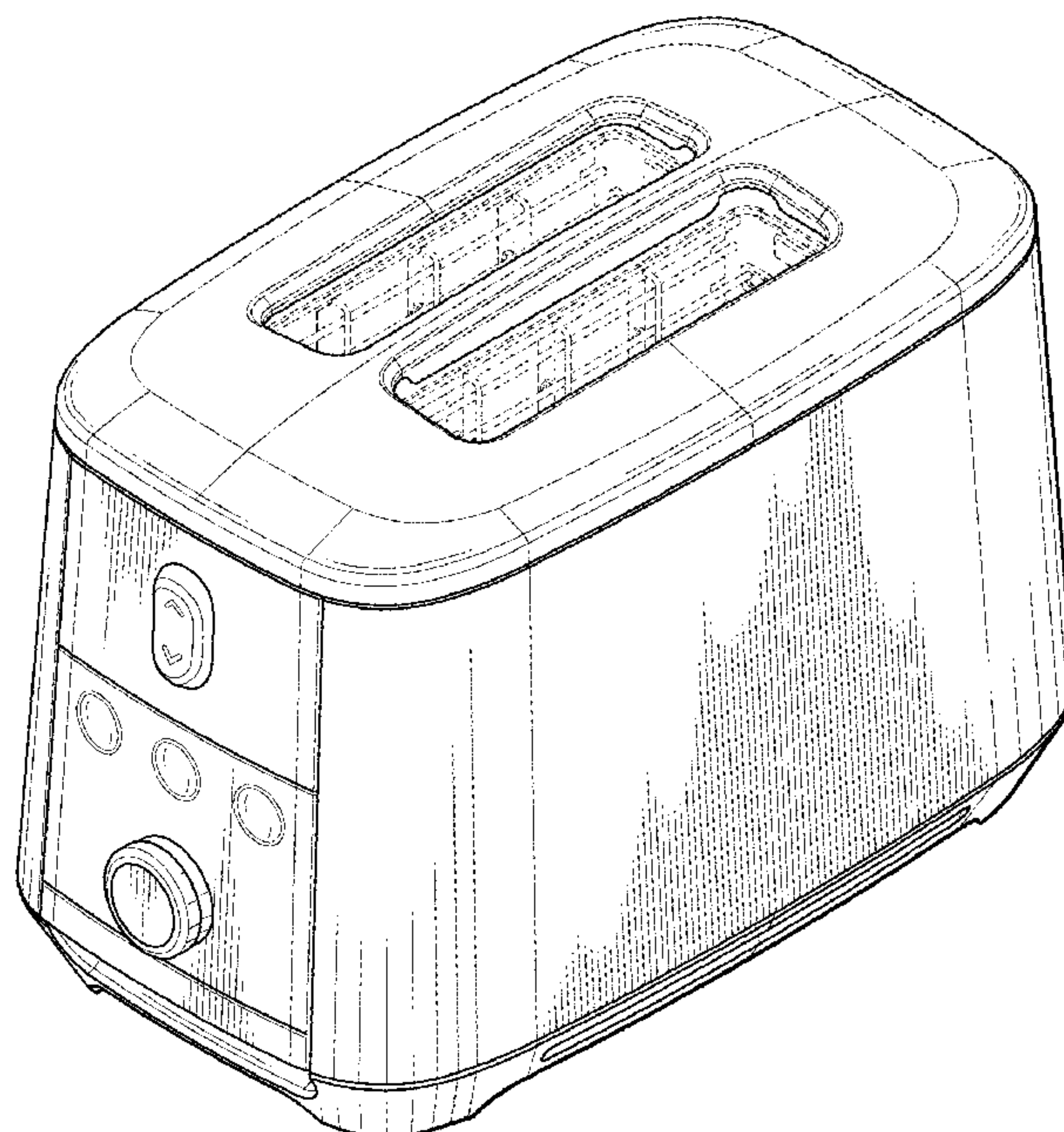
(58) **Field of Classification Search**

USPC D7/323, 328-330, 390
CPC A21B 2/00; A47J 37/00; A47J 37/06;
A47J 37/0611; A47J 37/08; A47J 37/0807;
A47J 37/0814; A47J 37/0835; A47J 37/0842;
A47J 37/085; A47J 37/0864; A47J 37/0878;
A47J 37/0885; A47J 37/0892; F24C 15/10;
F24C 15/102

FIG. 1 is a perspective view of a toaster;
FIG. 2 is a front elevation view thereof;
FIG. 3 is a right side elevation view thereof;
FIG. 4 is a rear elevation view thereof;
FIG. 5 is a top plan view thereof;
FIG. 6 is a left side elevation view thereof; and,
FIG. 7 is a bottom plan view thereof.
The broken lines in the drawings, which illustrate environmental structure or boundaries of the toaster, do not form a part of the claimed design.

See application file for complete search history.

1 Claim, 7 Drawing Sheets



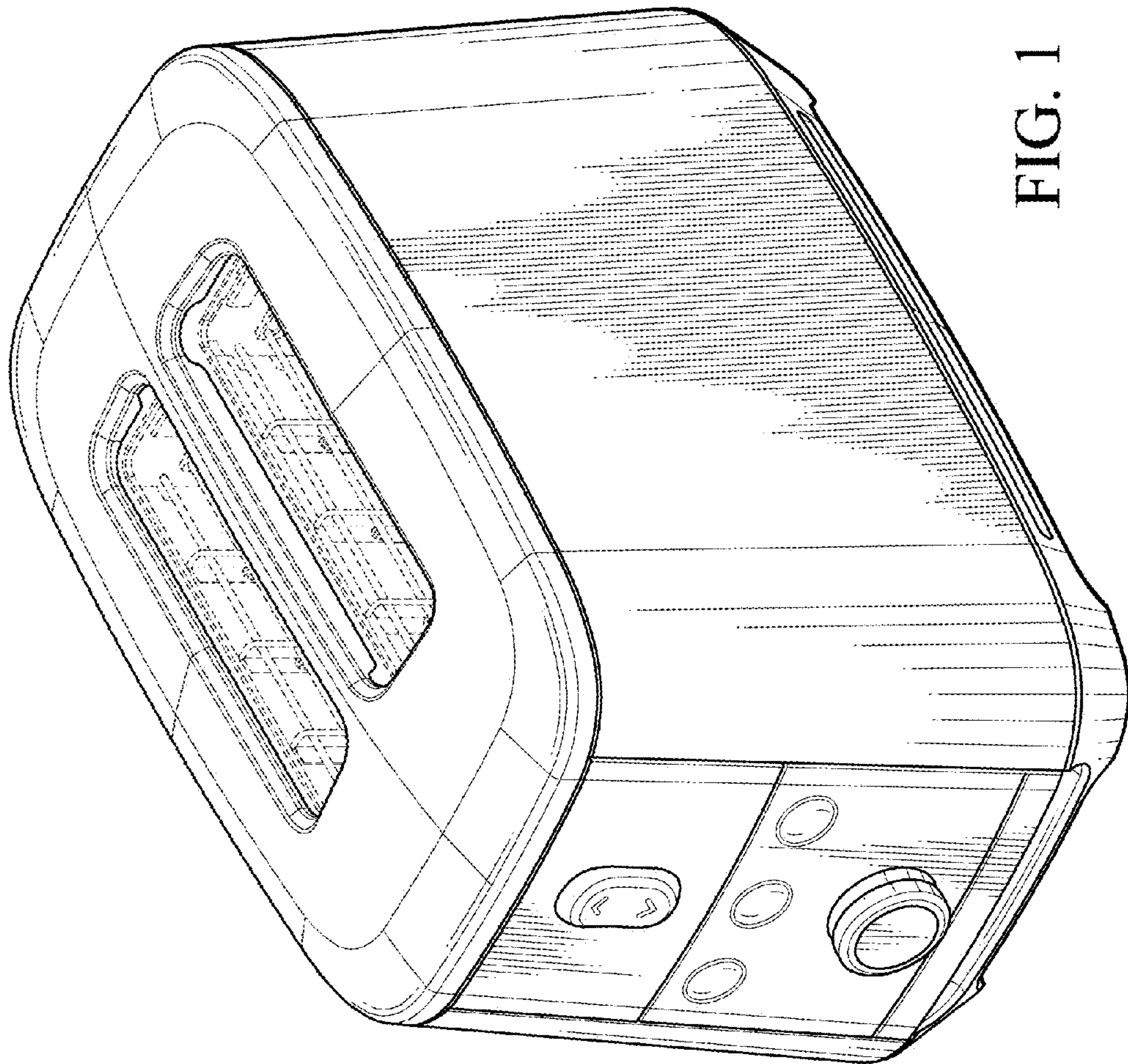


FIG. 1

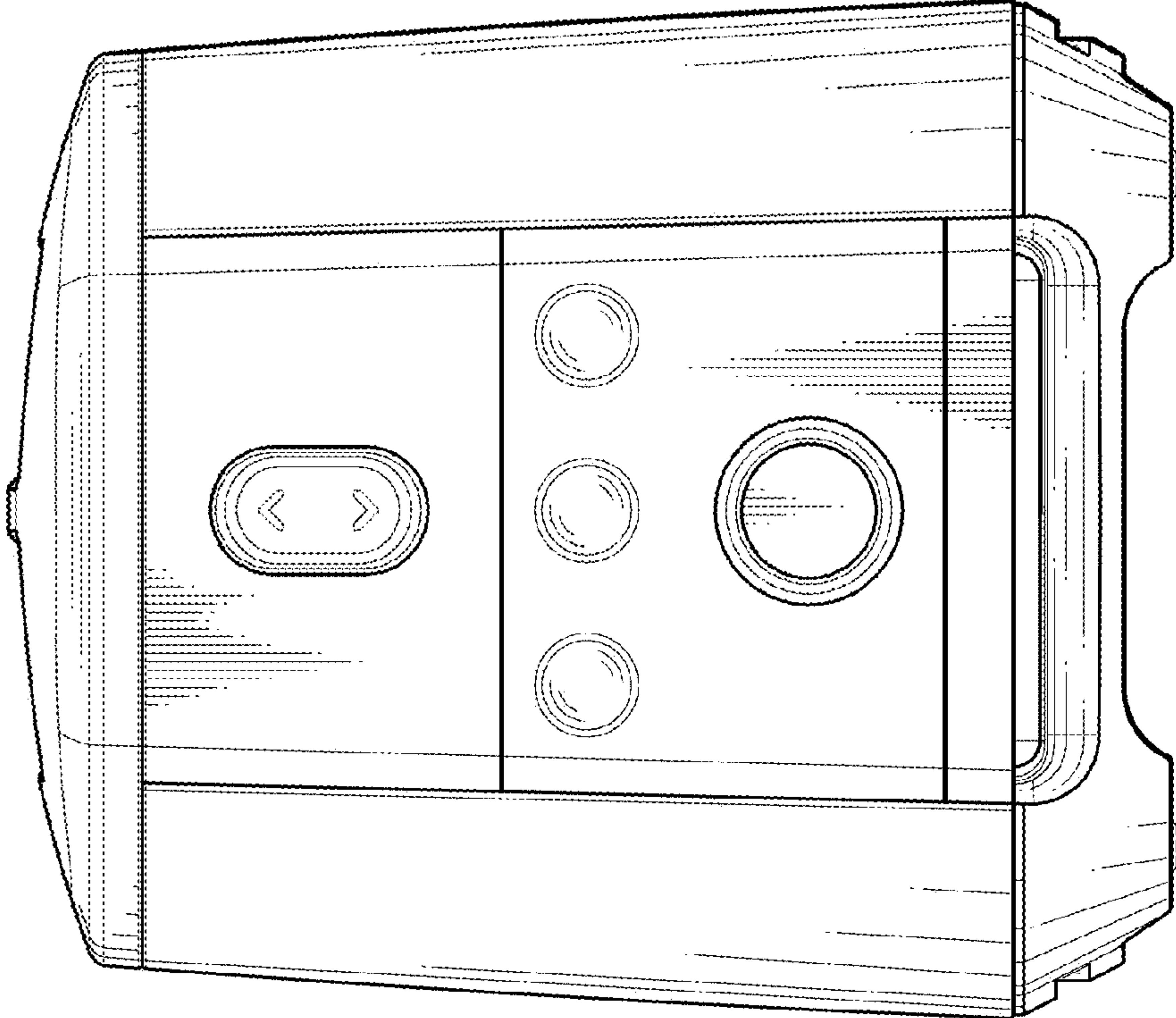


FIG. 2

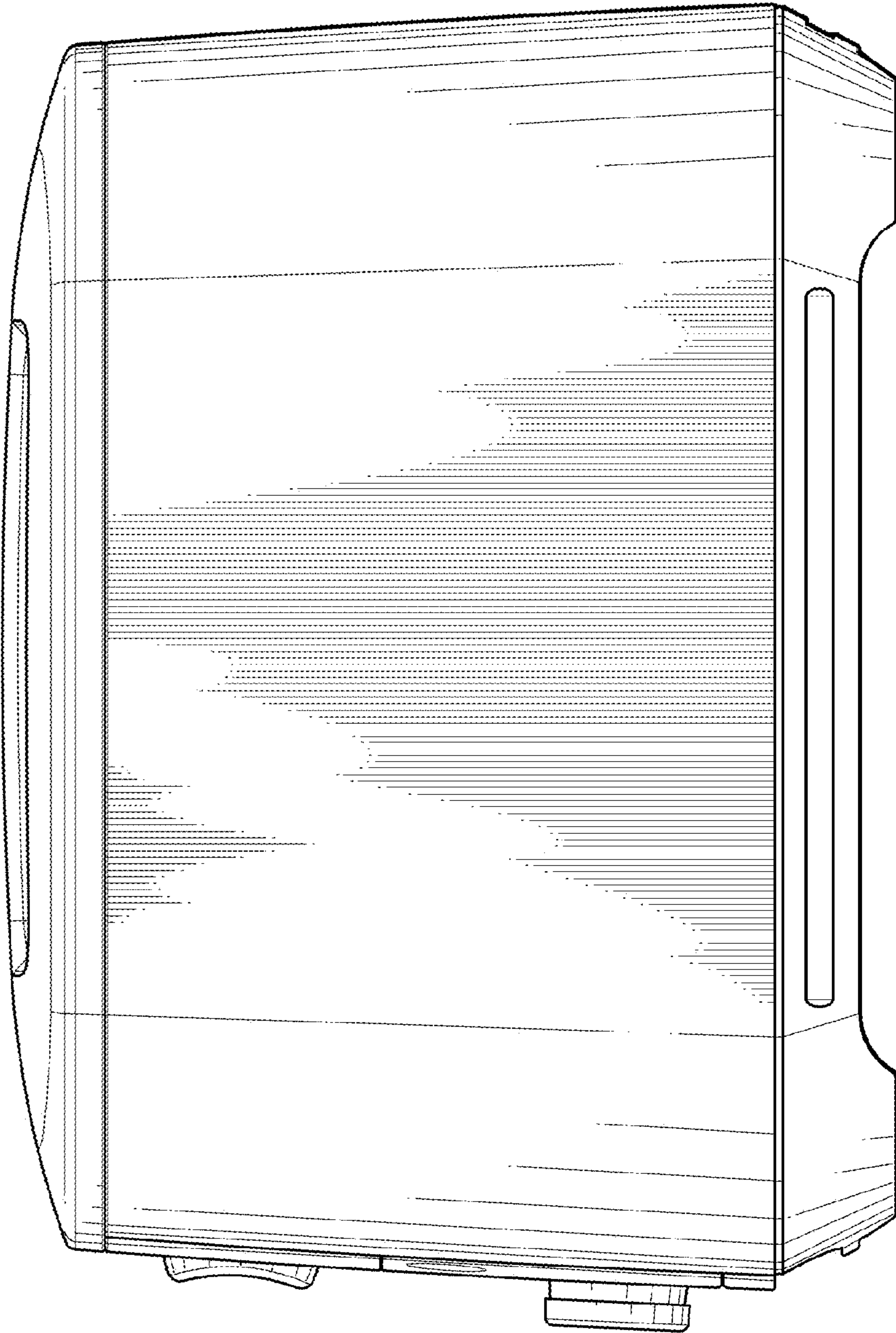


FIG. 3

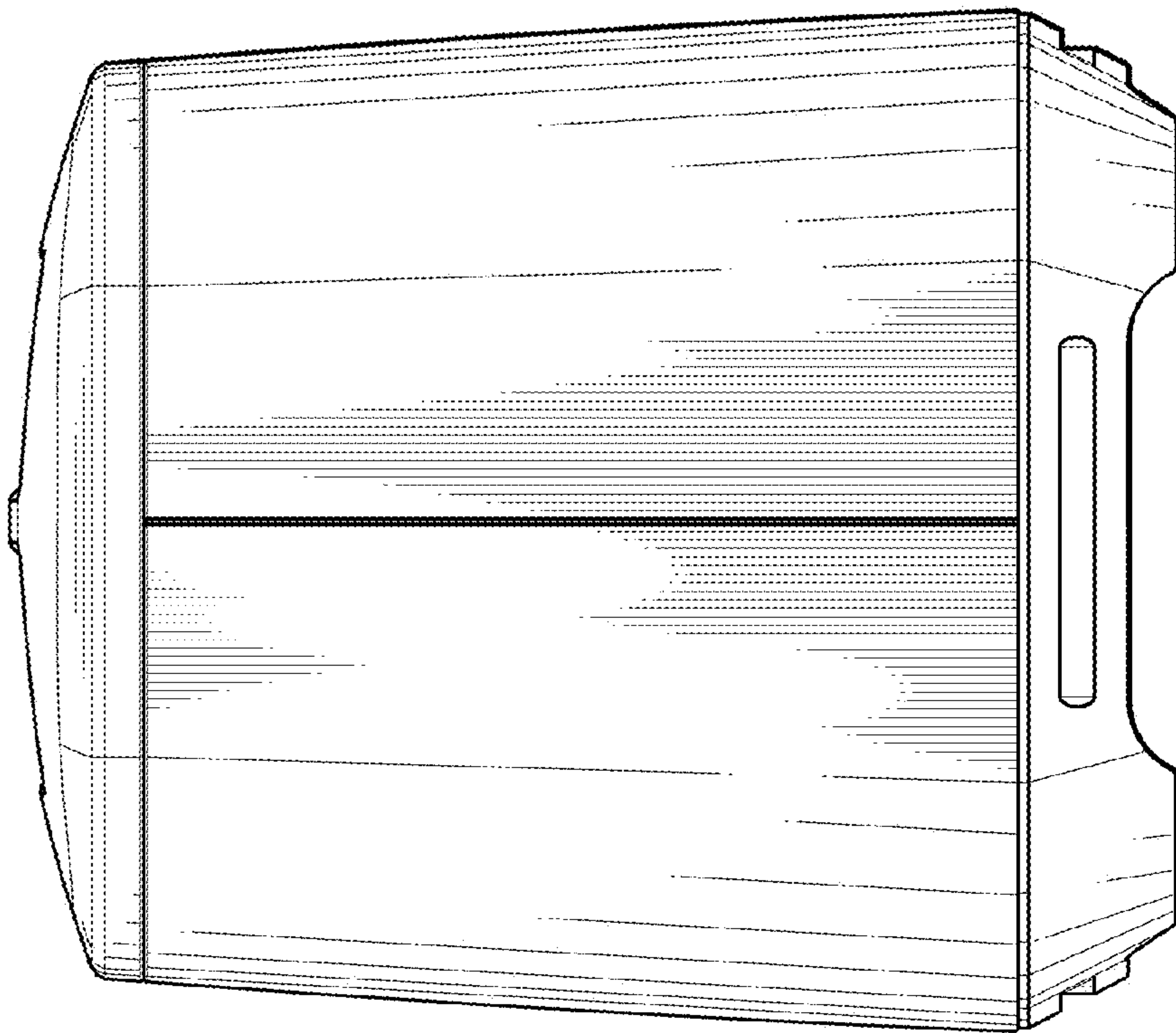


FIG. 4

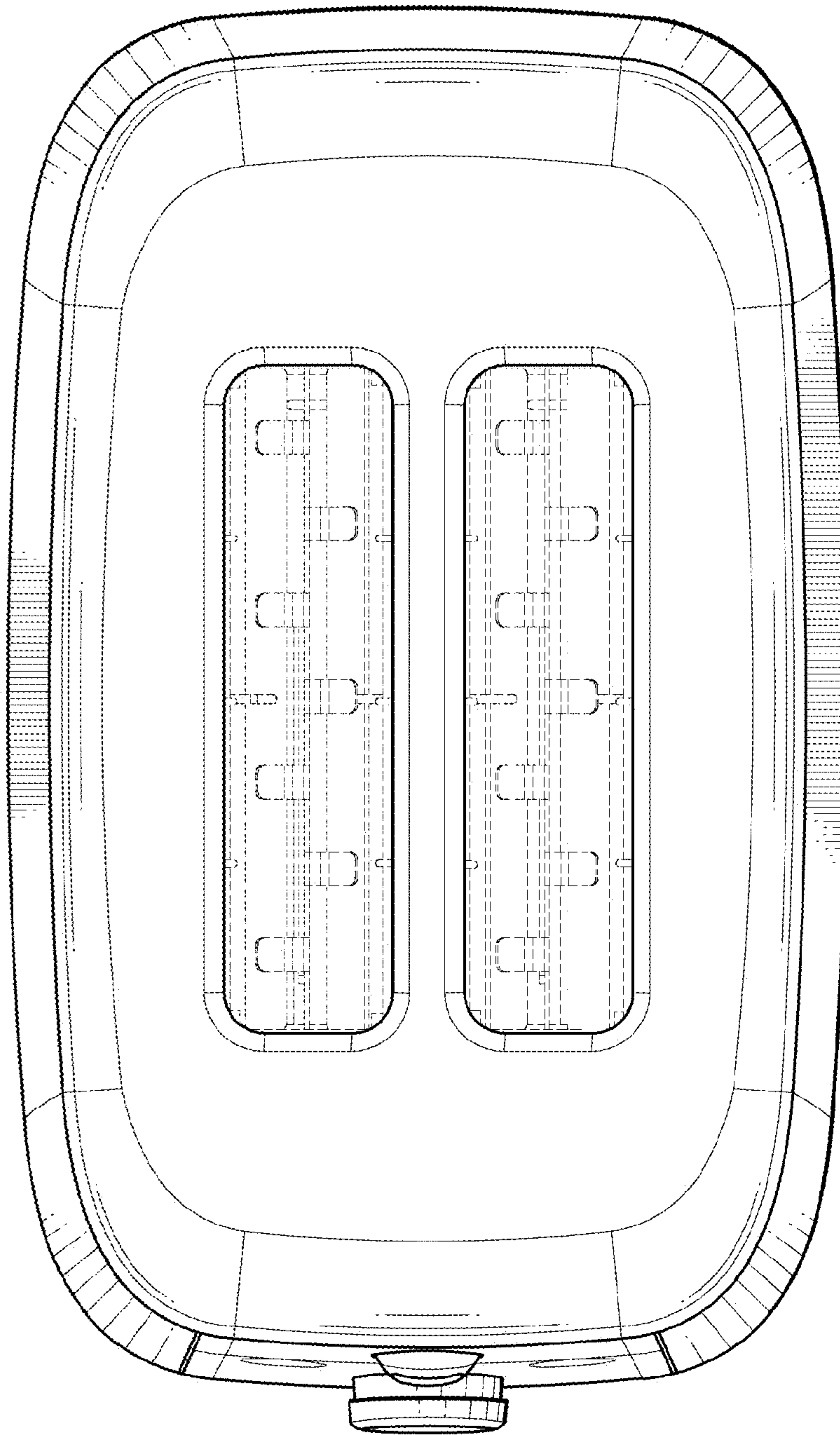


FIG. 5

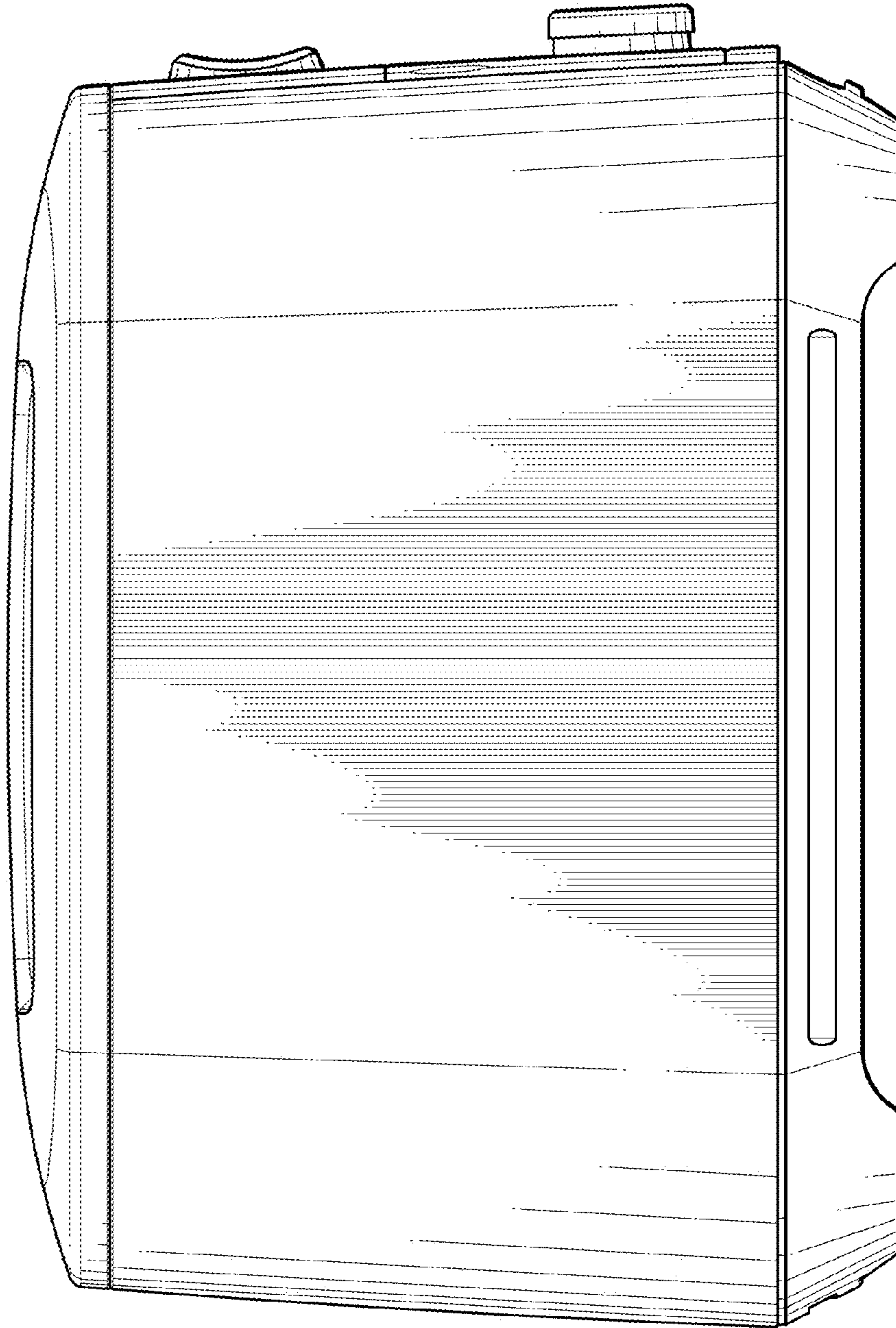


FIG. 6

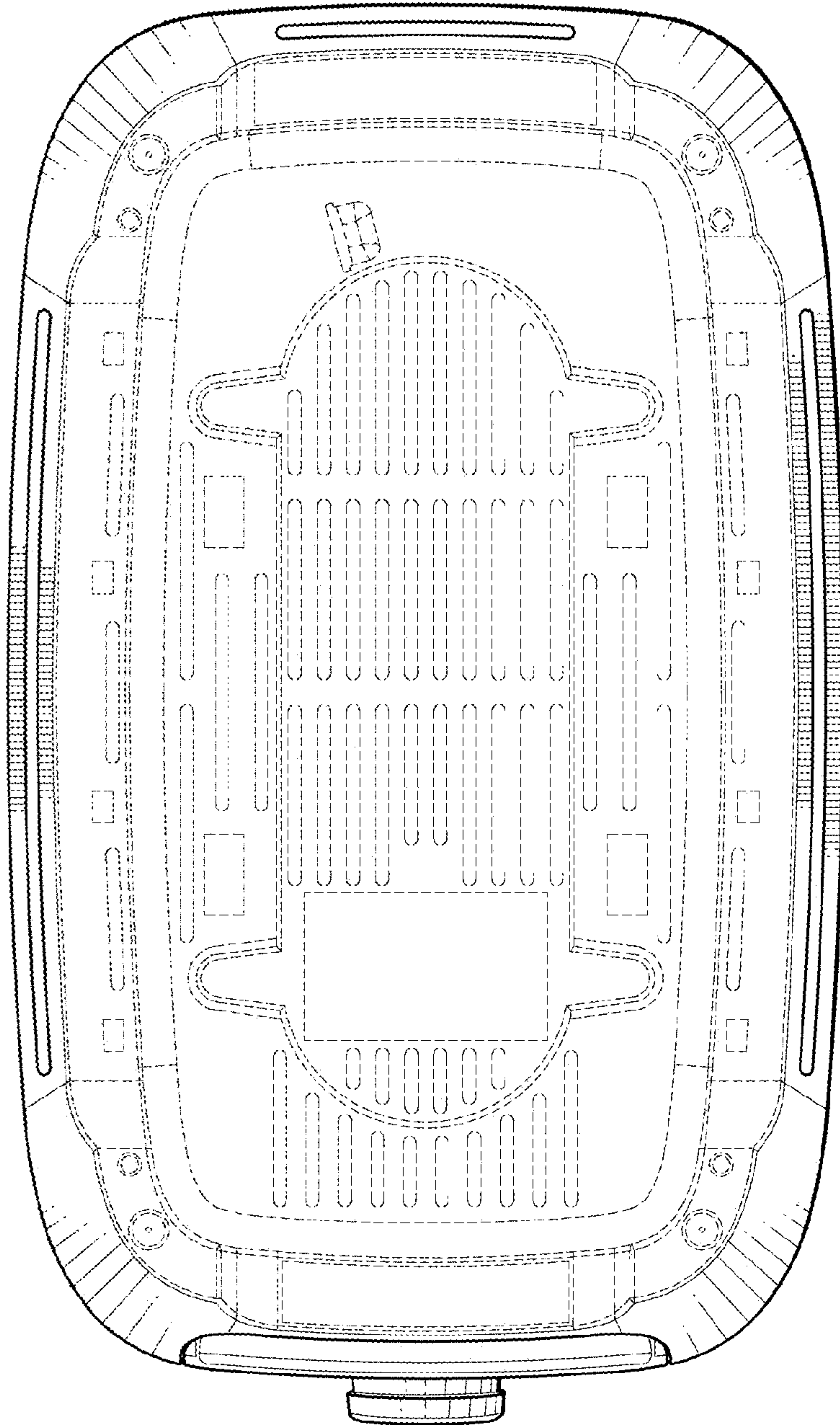


FIG. 7