



US00D765455S

(12) **United States Design Patent** (10) **Patent No.:** **US D765,455 S**
de Gooijer (45) **Date of Patent:** **** Sep. 6, 2016**

(54) **COFFEE MACHINE**
(71) Applicant: **BRAVILOR HOLDING B.V.**,
Heerhugowaard (NL)
(72) Inventor: **J. H. de Gooijer**, Edam (NL)
(73) Assignee: **BRAVILOR HOLDING B.V.**,
Heerhugowaard (NL)
(**) Term: **14 Years**

D440,811 S * 4/2001 Littmann D7/309
D445,627 S * 7/2001 Naft D7/309
D447,903 S * 9/2001 Lin D7/309
D447,904 S * 9/2001 Kling D7/309
D462,226 S * 9/2002 Williamson D7/309
D475,567 S * 6/2003 Hsu D7/309
D479,087 S * 9/2003 Yao D7/309
D479,088 S * 9/2003 Yao D7/309
D484,733 S * 1/2004 Kling D7/309
D488,021 S * 4/2004 Price D7/309
D496,213 S * 9/2004 Midden D7/309
D497,278 S * 10/2004 Picozza D7/309
D530,560 S * 10/2006 Lin D7/309

(Continued)

(21) Appl. No.: **29/509,143**
(22) Filed: **Nov. 14, 2014**
(30) **Foreign Application Priority Data**

May 14, 2014 (EM) 002464009-0002
May 14, 2014 (EM) 002464099-0001

(51) **LOC (10) Cl.** **07-01**
(52) **U.S. Cl.**
USPC **D7/309; D7/311**

(58) **Field of Classification Search**
USPC D7/306-311, 305, 300, 397, 398, 399,
D7/400; 99/279, 284, 290, 280, 299, 307,
99/297, 295, 323, 275, 281, 300; 426/433;
D20/4, 5, 1
CPC A47J 31/44; A47J 31/00; A47J 31/46;
A47J 31/10; A47J 31/56; A47J 31/42;
B65D 81/3266
See application file for complete search history.

(56) **References Cited**
U.S. PATENT DOCUMENTS

D250,316 S * 11/1978 Painter D7/309
D257,475 S * 11/1980 von der Luehe D7/309
D267,325 S * 12/1982 Zimmerman D7/309
4,920,868 A * 5/1990 Gehrmann A47J 31/542
285/347
D402,153 S * 12/1998 Saltet D7/309
D407,596 S * 4/1999 Hsu D7/309

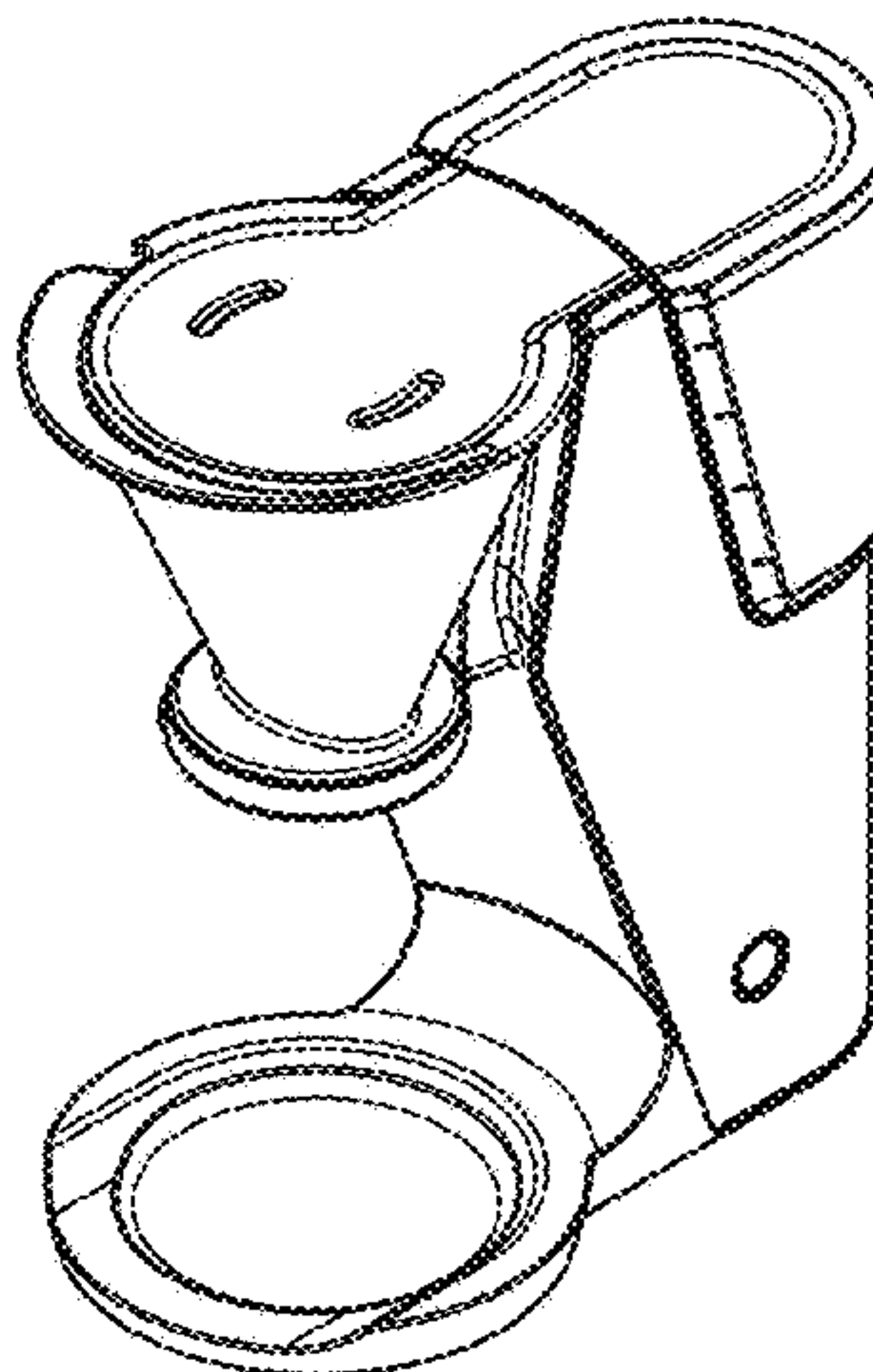
Primary Examiner — Marianne Pandozzi
(74) Attorney, Agent, or Firm — Porzio, Bromberg &
Newman, P.C.

(57) **CLAIM**
I claim, the ornamental design for a coffee machine, as
shown and described.

DESCRIPTION

FIG. 1 is a front and side perspective view, showing my new
design;
FIG. 2 is a top plan view thereof;
FIG. 3 is a side view thereof;
FIG. 4 is a front view thereof;
FIG. 5 is a side view thereof from the opposite side shown
in FIG. 3 view thereof;
FIG. 6 is a rear view thereof;
FIG. 7 is a bottom view thereof;
FIG. 8 is a front and side perspective view thereof;
FIG. 9 is a top plan view of FIG. 8;
FIG. 10 is a side view of FIG. 8;
FIG. 11 is a front view of FIG. 8;
FIG. 12 is a side view of the opposite side shown in FIG. 10;
FIG. 13 is a rear view thereof; and,
FIG. 14 is a bottom view thereof.
The broken lines in the drawing depict portions of the coffee
machine that form no part of the claimed design.

1 Claim, 14 Drawing Sheets



US D765,455 S

Page 2

(56)

References Cited

U.S. PATENT DOCUMENTS

D585,229 S * 1/2009 de Visser D7/309
D595,992 S * 7/2009 Clark D7/309

D707,070 S * 6/2014 De'Longhi D7/309
D721,531 S * 1/2015 Krasne D7/309
D742,680 S * 11/2015 Burrows D7/309
D745,307 S * 12/2015 Kestenbaum D7/309

* cited by examiner

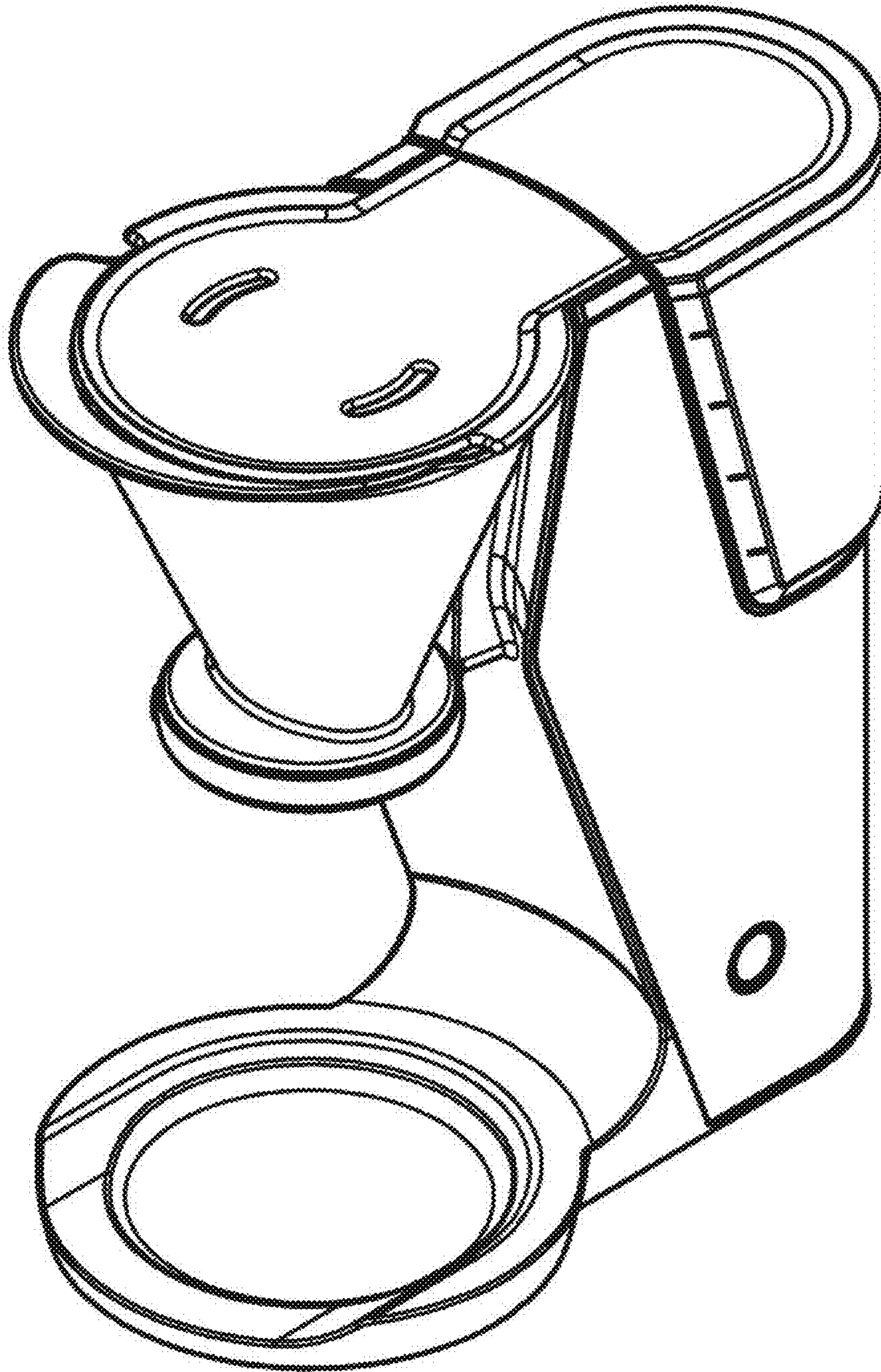


FIG. 1

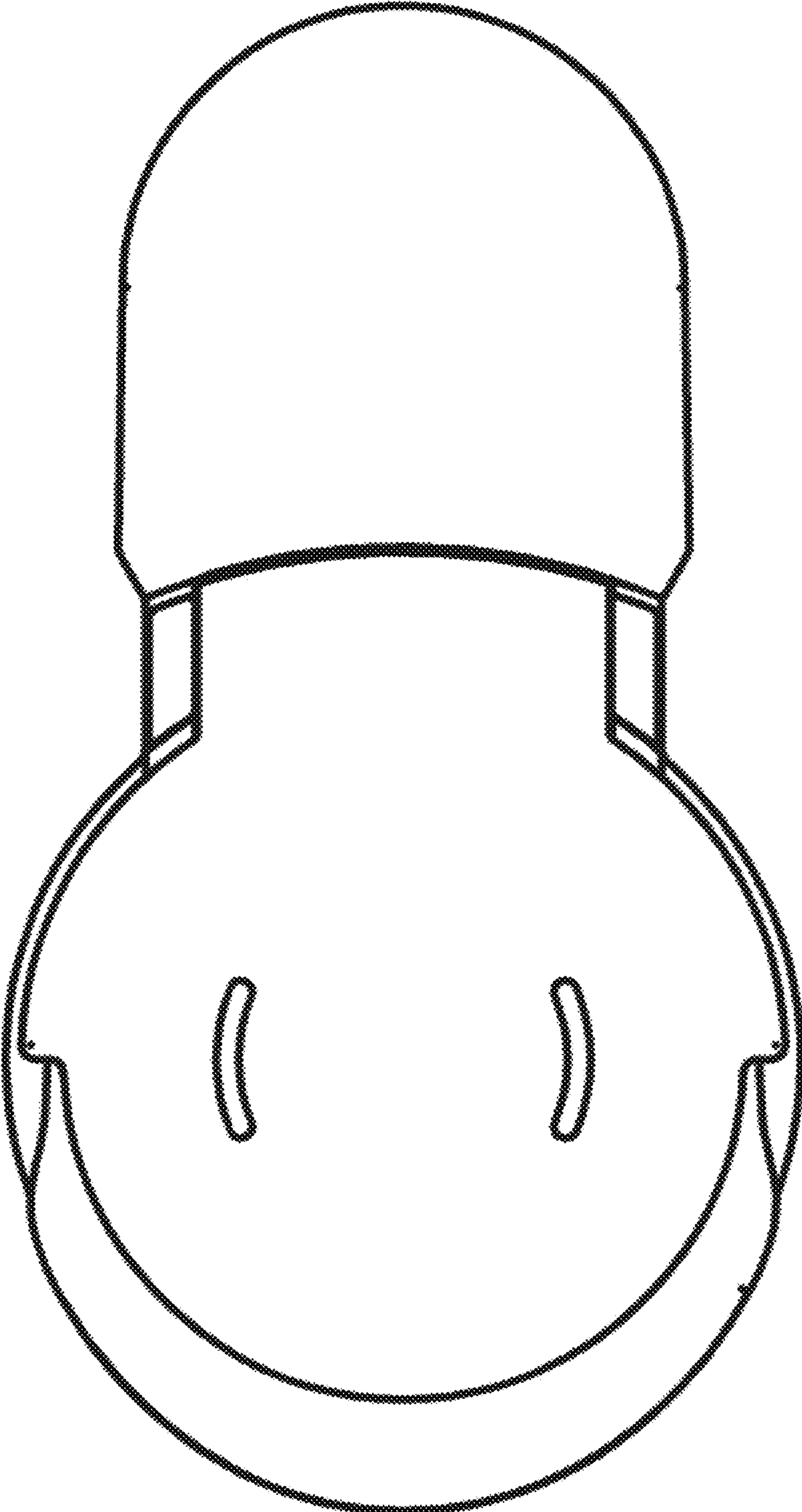


FIG. 2

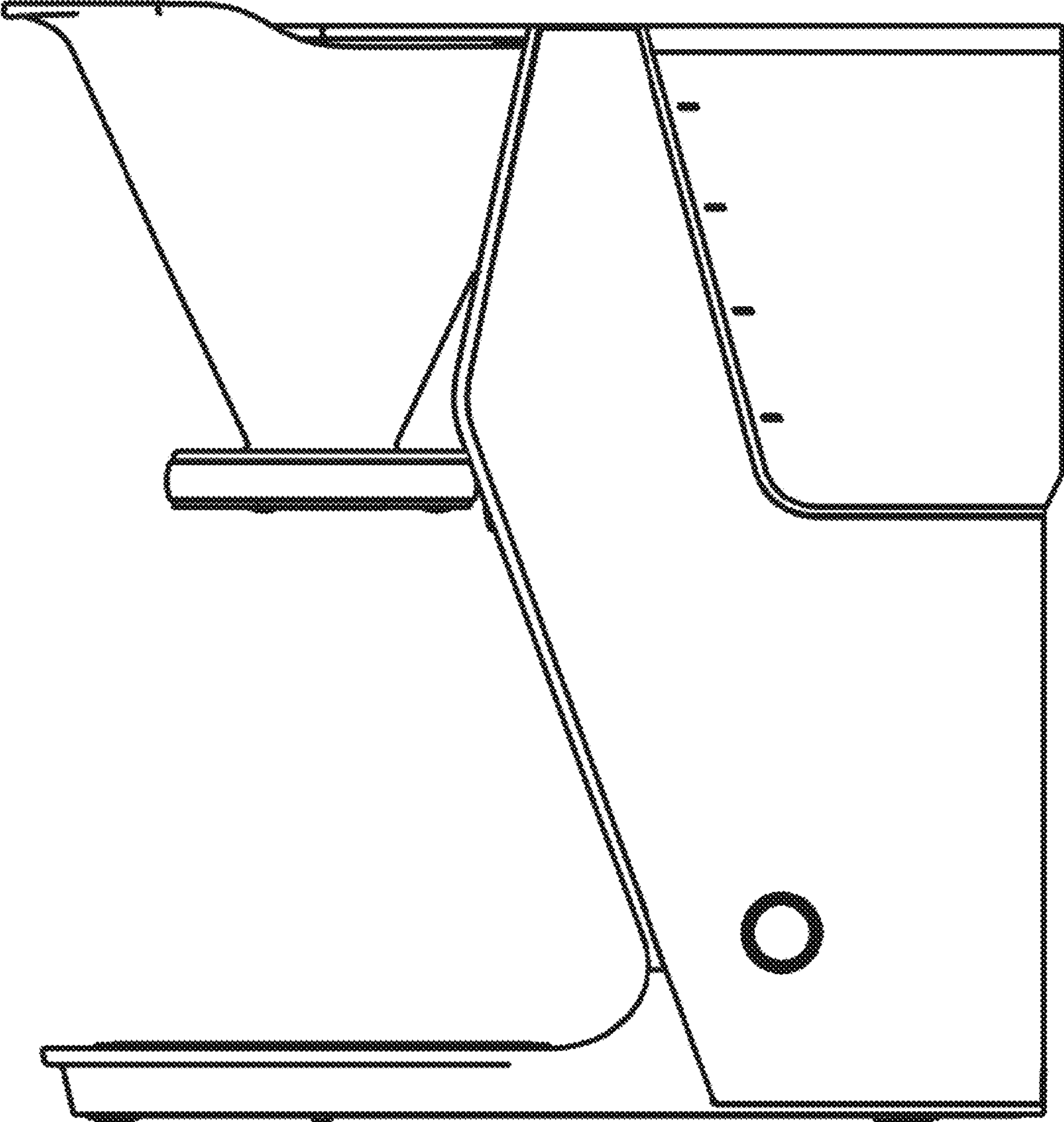


FIG. 3

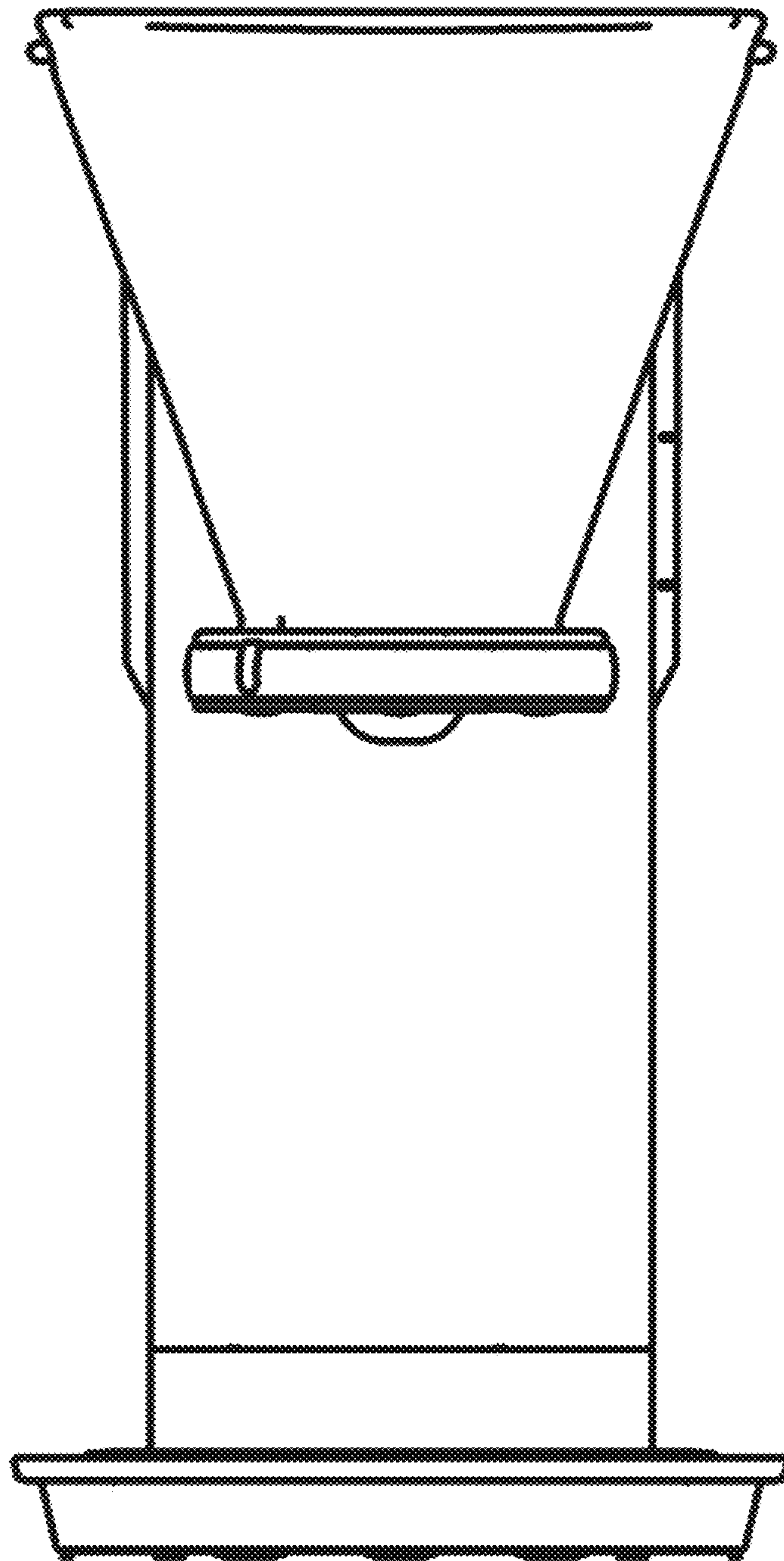


FIG. 4

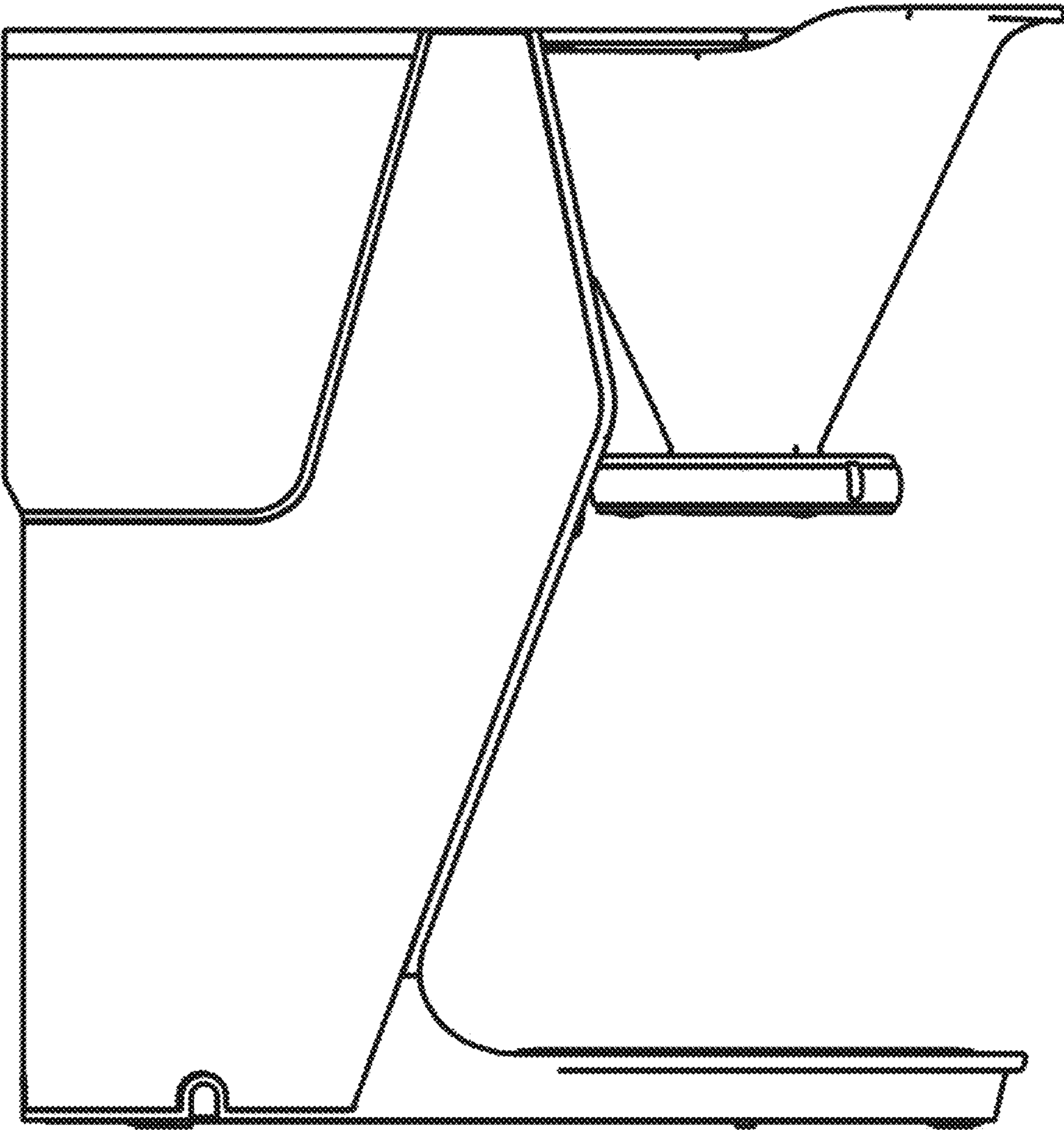


FIG. 5

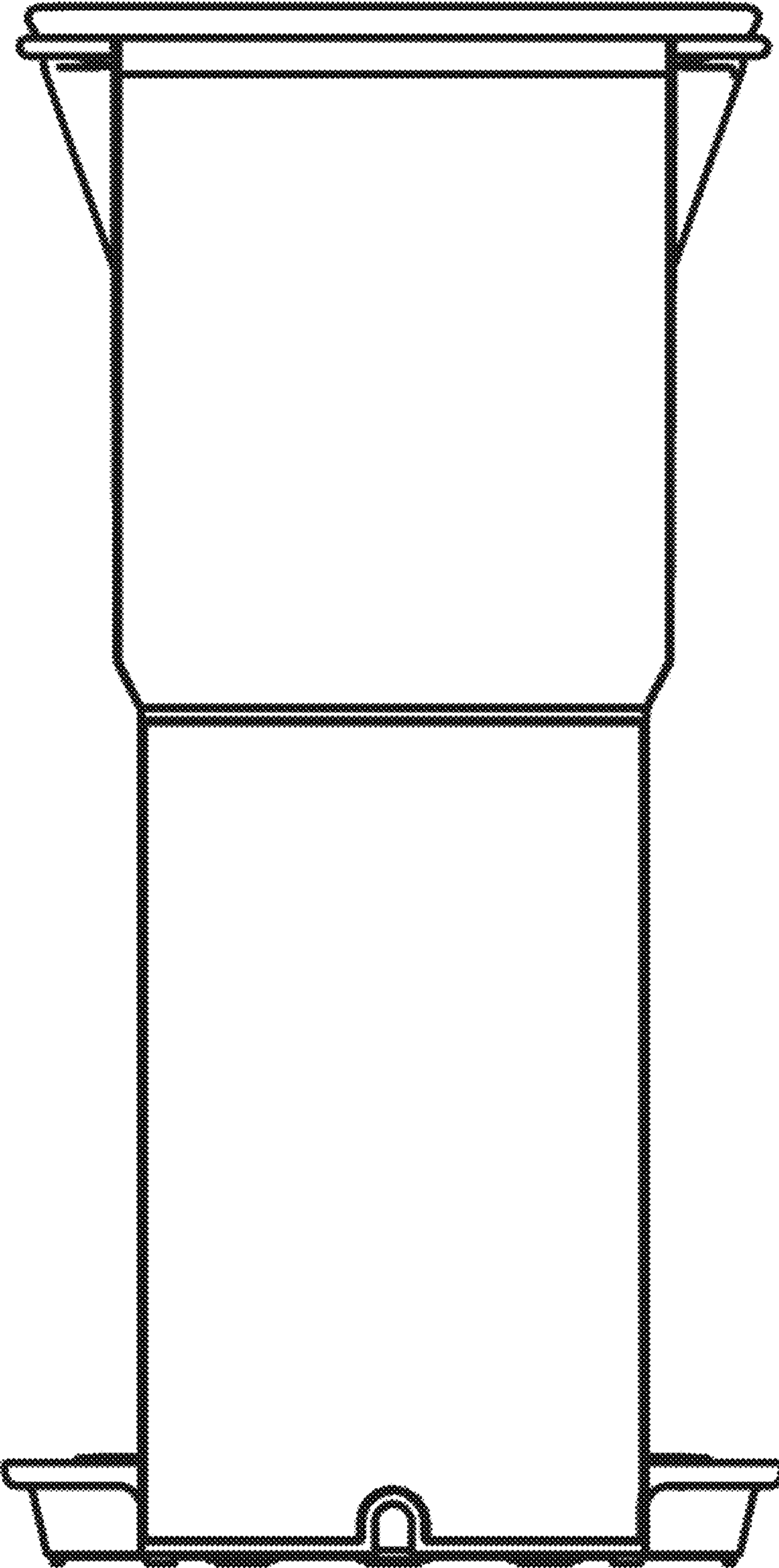


FIG. 6

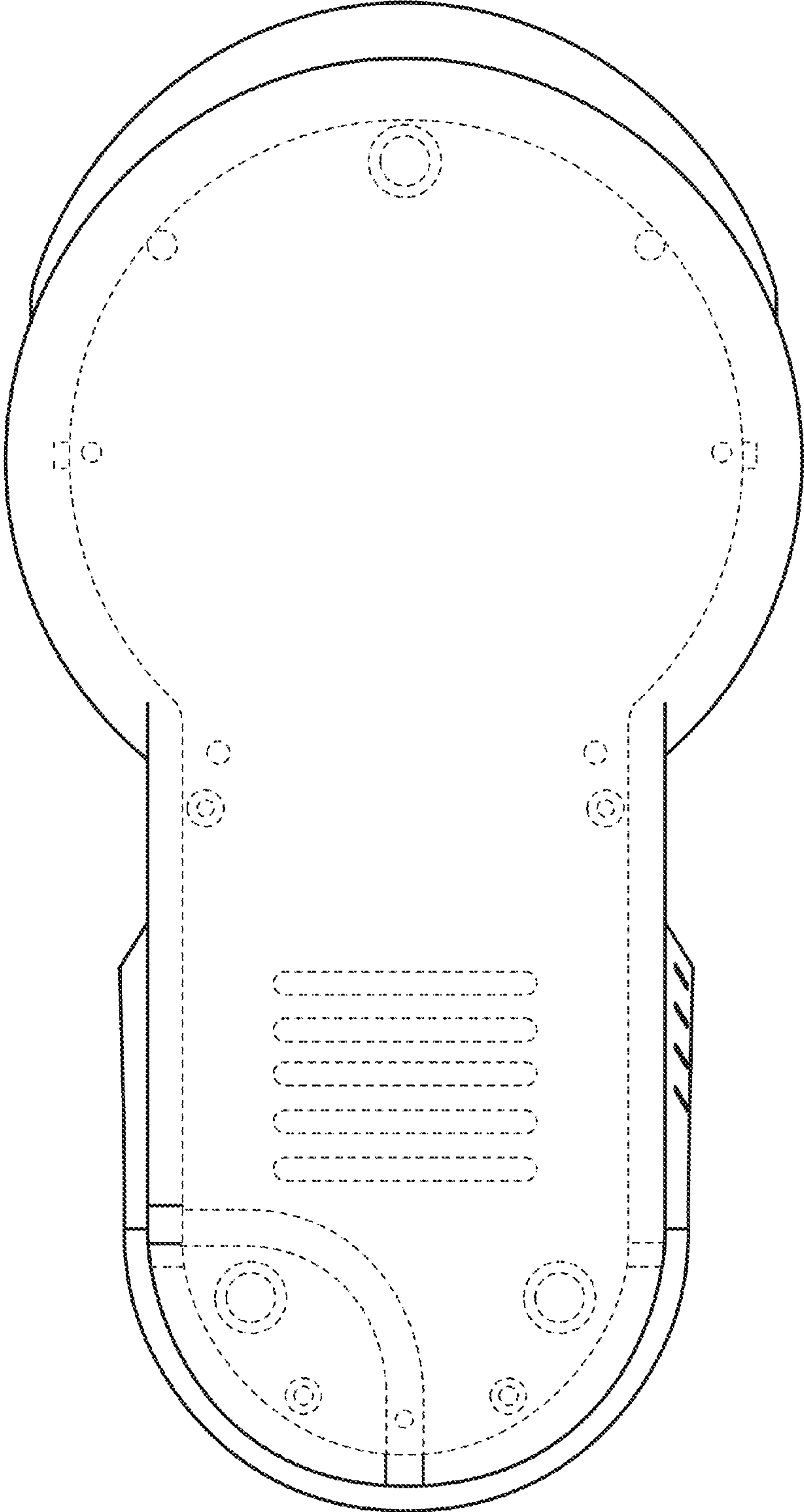


FIG. 7

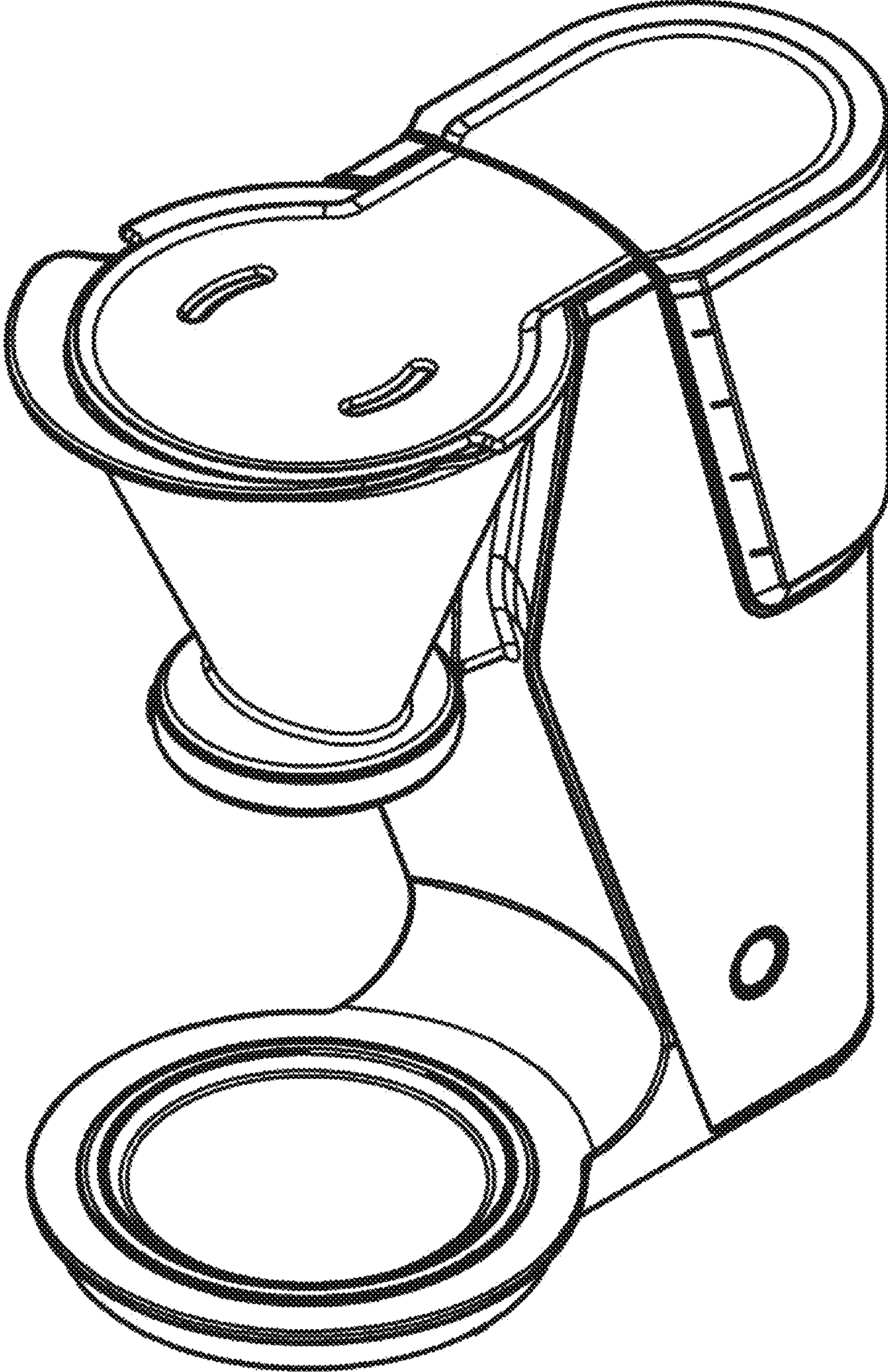


FIG. 8

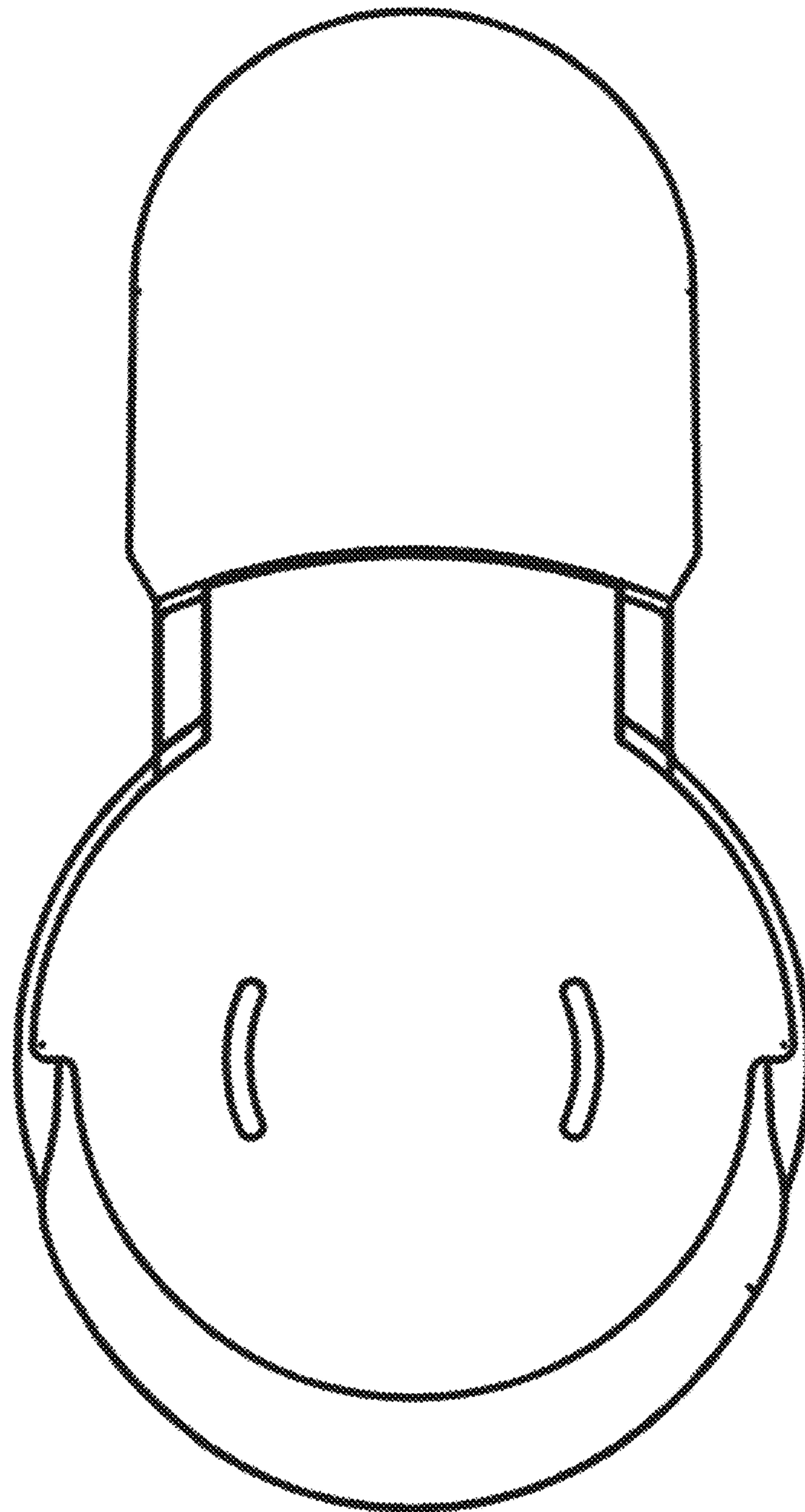


FIG. 9

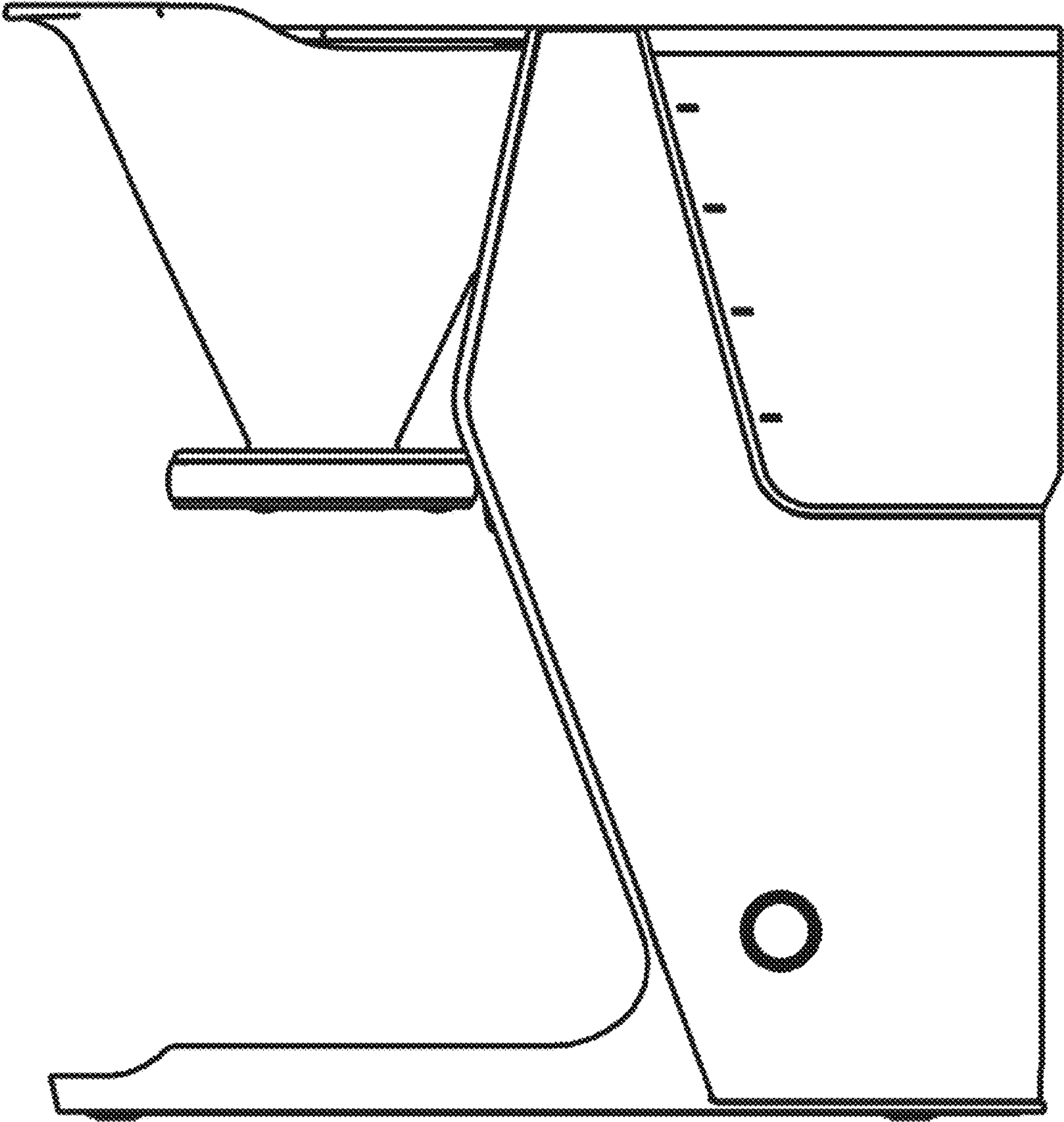


FIG. 10

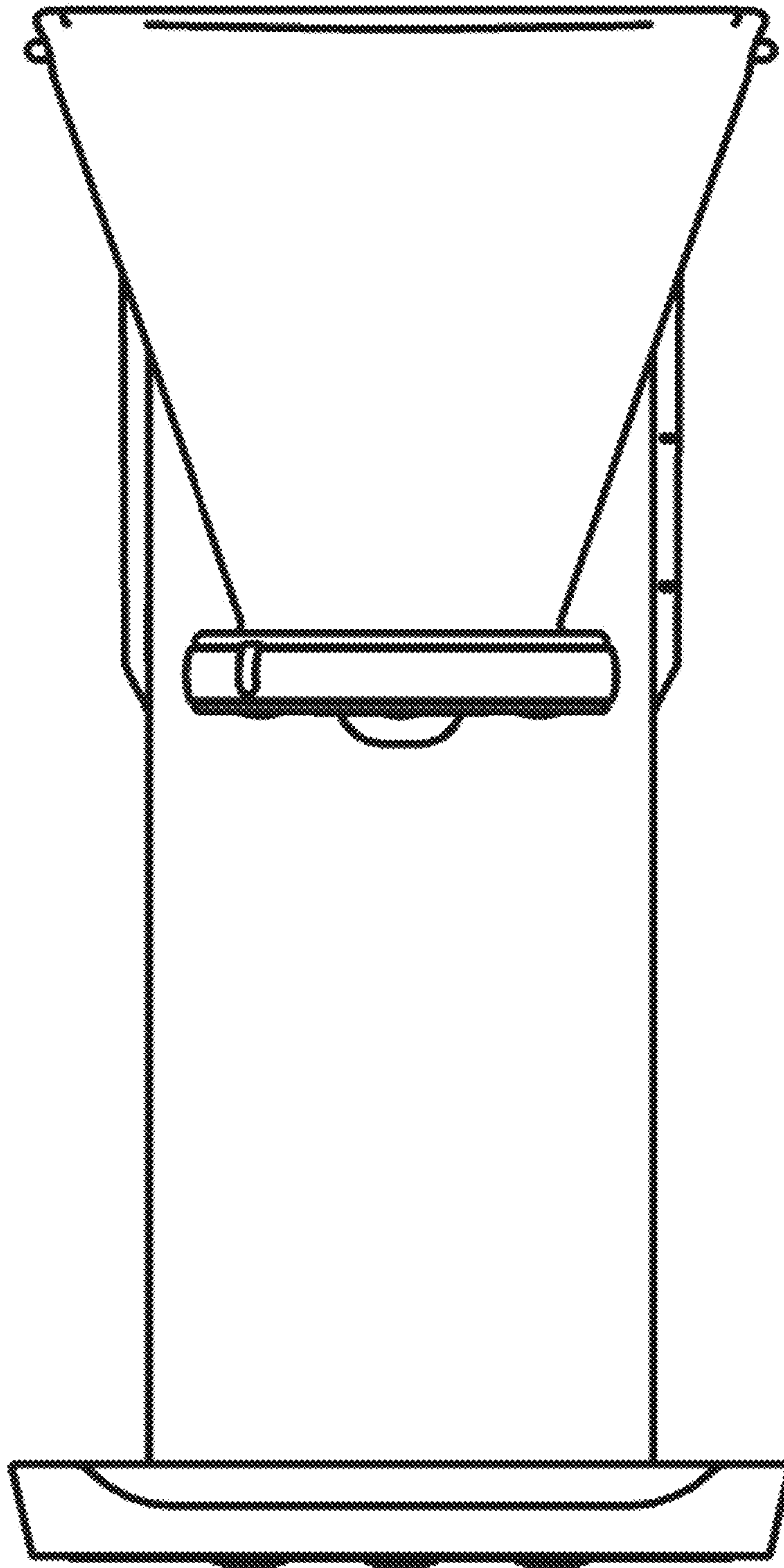


FIG. 11

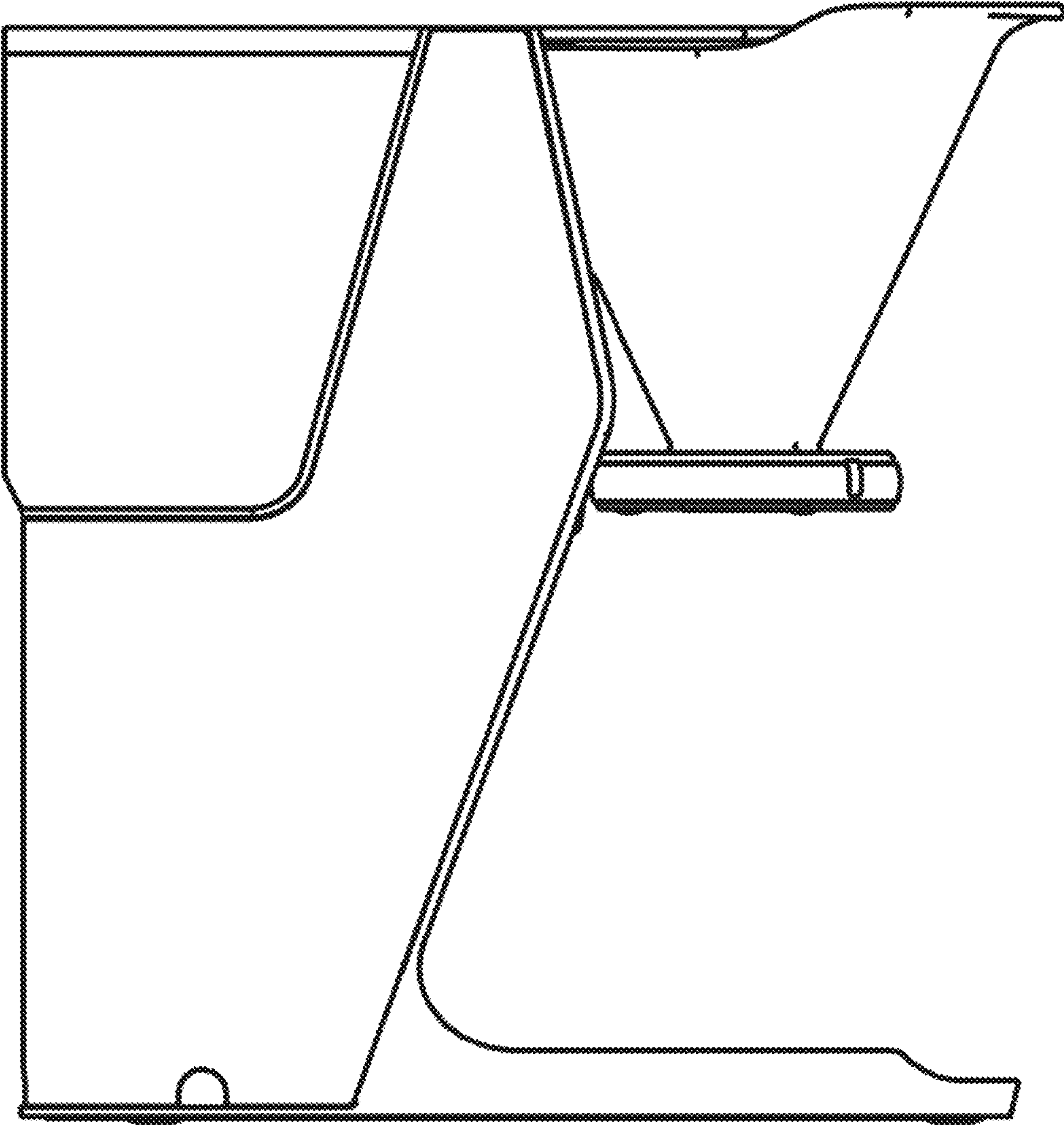


FIG. 12

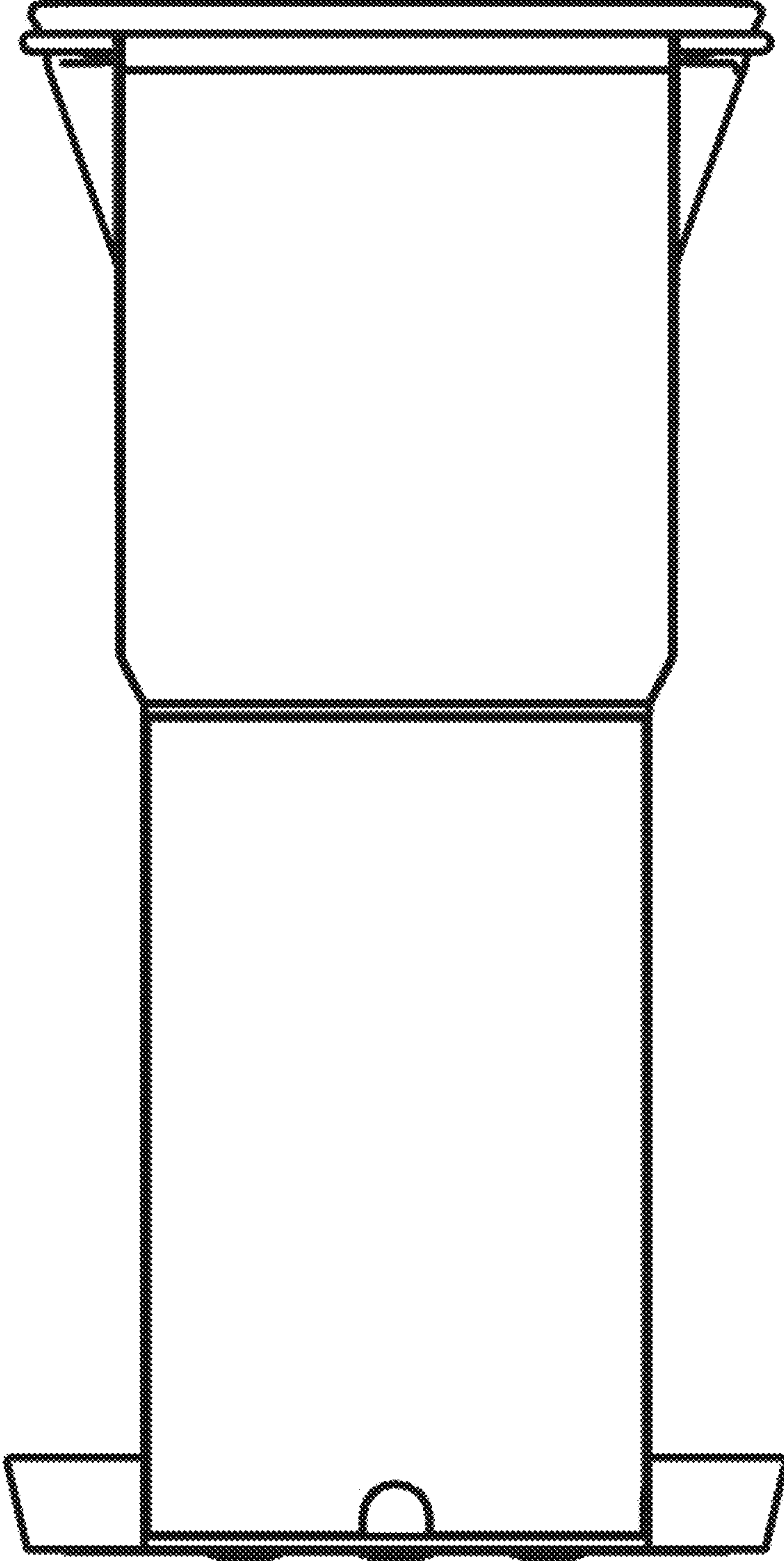


FIG. 13

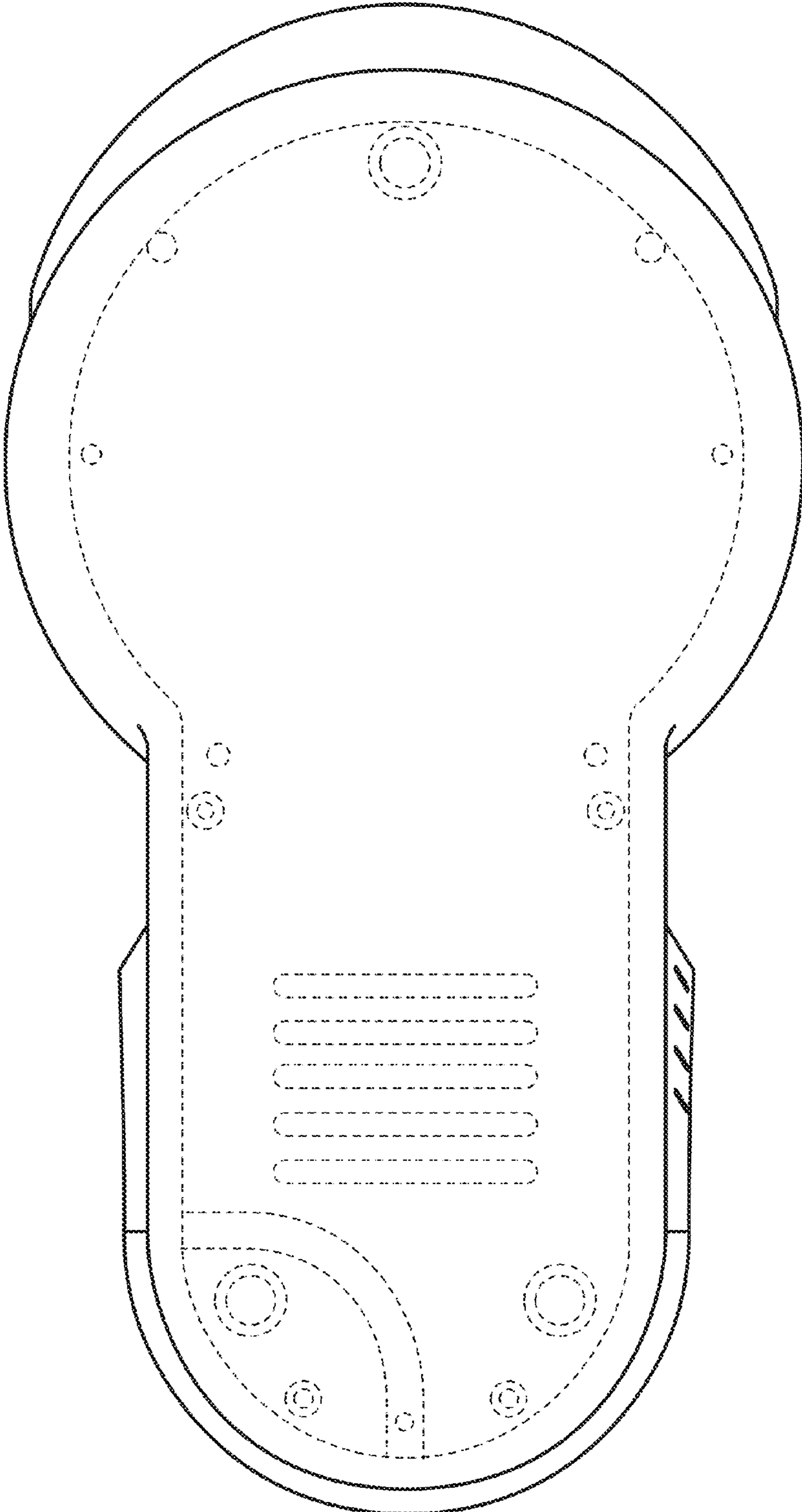


FIG. 14