



US00D765452S

(12) **United States Design Patent** (10) **Patent No.:** **US D765,452 S**  
**Nelson** (45) **Date of Patent:** **\*\* Sep. 6, 2016**

(54) **LETTER I CHAIR**

(71) Applicant: **Keith Nelson**, Grimes, IA (US)

(72) Inventor: **Keith Nelson**, Grimes, IA (US)

(\*\*) Term: **15 Years**

(21) Appl. No.: **29/550,416**

(22) Filed: **Jan. 4, 2016**

**Related U.S. Application Data**

(63) Continuation of application No. 29/531,933, filed on Jul. 30, 2015, now abandoned, which is a continuation of application No. 29/475,661, filed on Dec. 5, 2013, now Pat. No. Des. 735,511, which is a continuation of application No. 29/393,407, filed on Jun. 3, 2011, now Pat. No. Des. 699,993.

(51) **LOC (10) Cl.** ..... **06-06**

(52) **U.S. Cl.**  
USPC ..... **D6/716**

(58) **Field of Classification Search**  
USPC ..... D6/334, 341, 371-375, 381, 491-492,  
D6/500-502, 702, 716-716.1;  
297/232-233, 239, 300.1, 311, 353,  
297/445.1, 446.1, 448.1, 448.2, 452.11;  
5/12.1, 12.2  
CPC ..... A47C 3/04; A47C 4/02; A47C 4/03;  
A47C 4/024; A47C 4/028

See application file for complete search history.

(56) **References Cited**

U.S. PATENT DOCUMENTS

6,135,548	A *	10/2000	McGuire .....	A47C 13/00
				267/163
D708,451	S *	7/2014	Gashcy .....	D6/378
D735,511	S *	8/2015	Nelson .....	D6/716
D743,712	S *	11/2015	Behar .....	D6/378
D747,893	S *	1/2016	Nikolajsen .....	D6/378
D749,868	S *	2/2016	Nikolajsen .....	D6/378
D752,893	S *	4/2016	Behar .....	D6/378
2011/0181085	A1 *	7/2011	Pfeifer .....	A47C 3/0252
				297/285

\* cited by examiner

*Primary Examiner* — Kelley Donnelly

(74) *Attorney, Agent, or Firm* — McKee Voorhees and Sease, P.L.C.

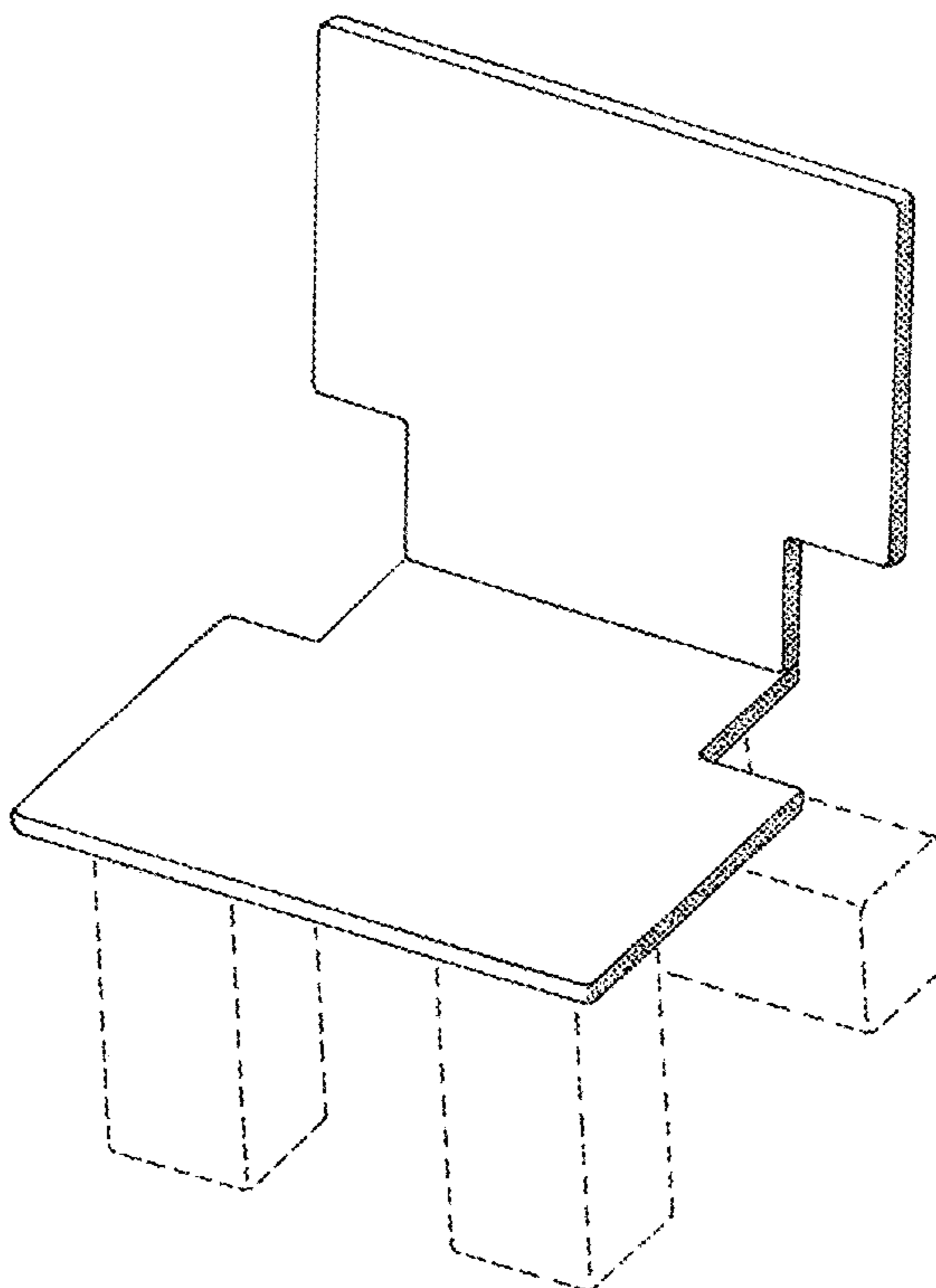
(57) **CLAIM**

The ornamental design for the letter I chair, substantially as shown and described.

**DESCRIPTION**

FIG. 1 is a perspective view of the letter “I” chair.  
FIG. 2 is a rear view of the letter “I” chair.  
FIG. 3 is a front view of the letter “I” chair.  
FIG. 4 is a top view of the letter “I” chair.  
FIG. 5 is a side view of the letter “I” chair; and,  
FIG. 6 is a side view of the letter “I” chair.

**1 Claim, 6 Drawing Sheets**



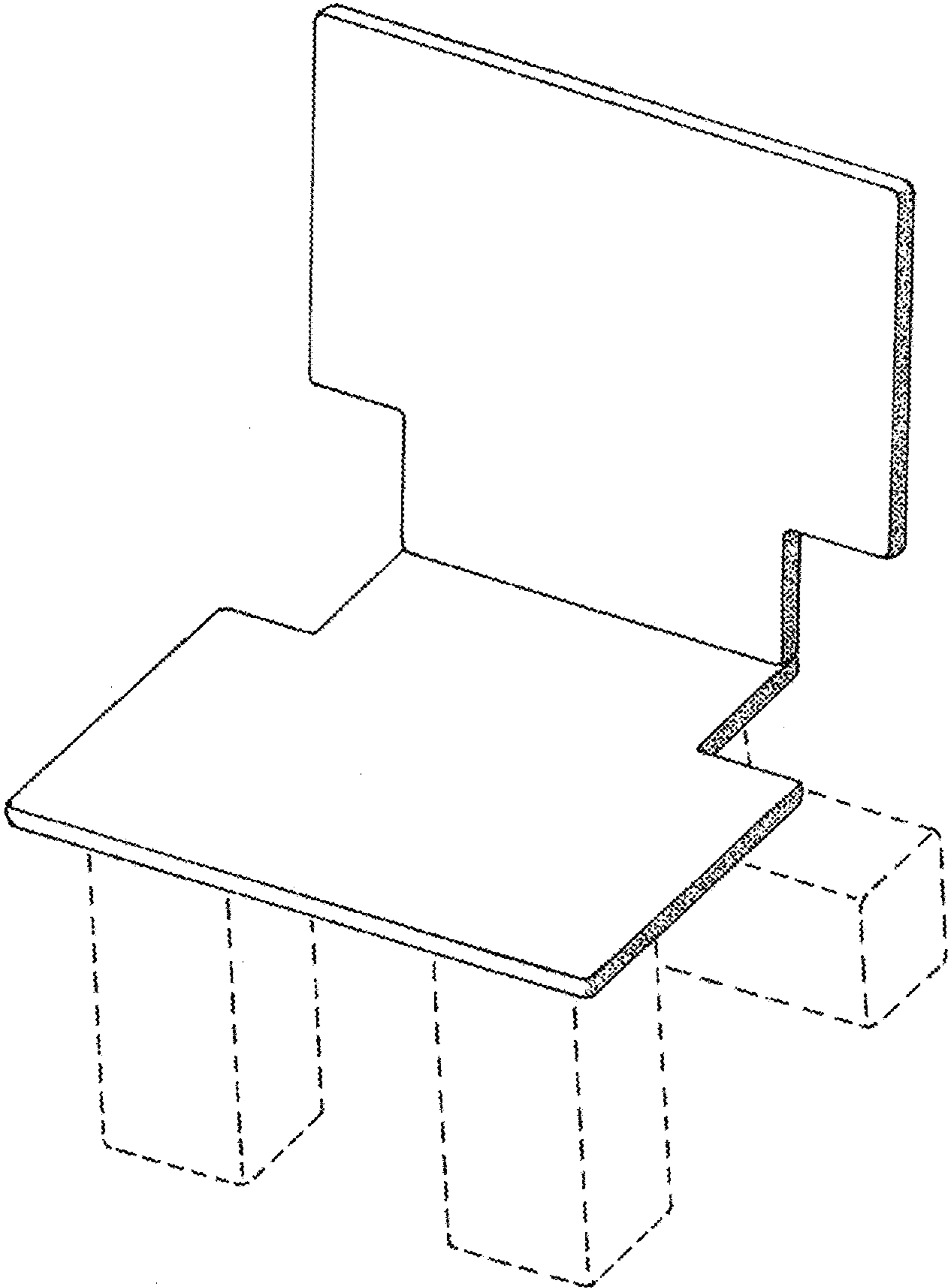


FIG. 1

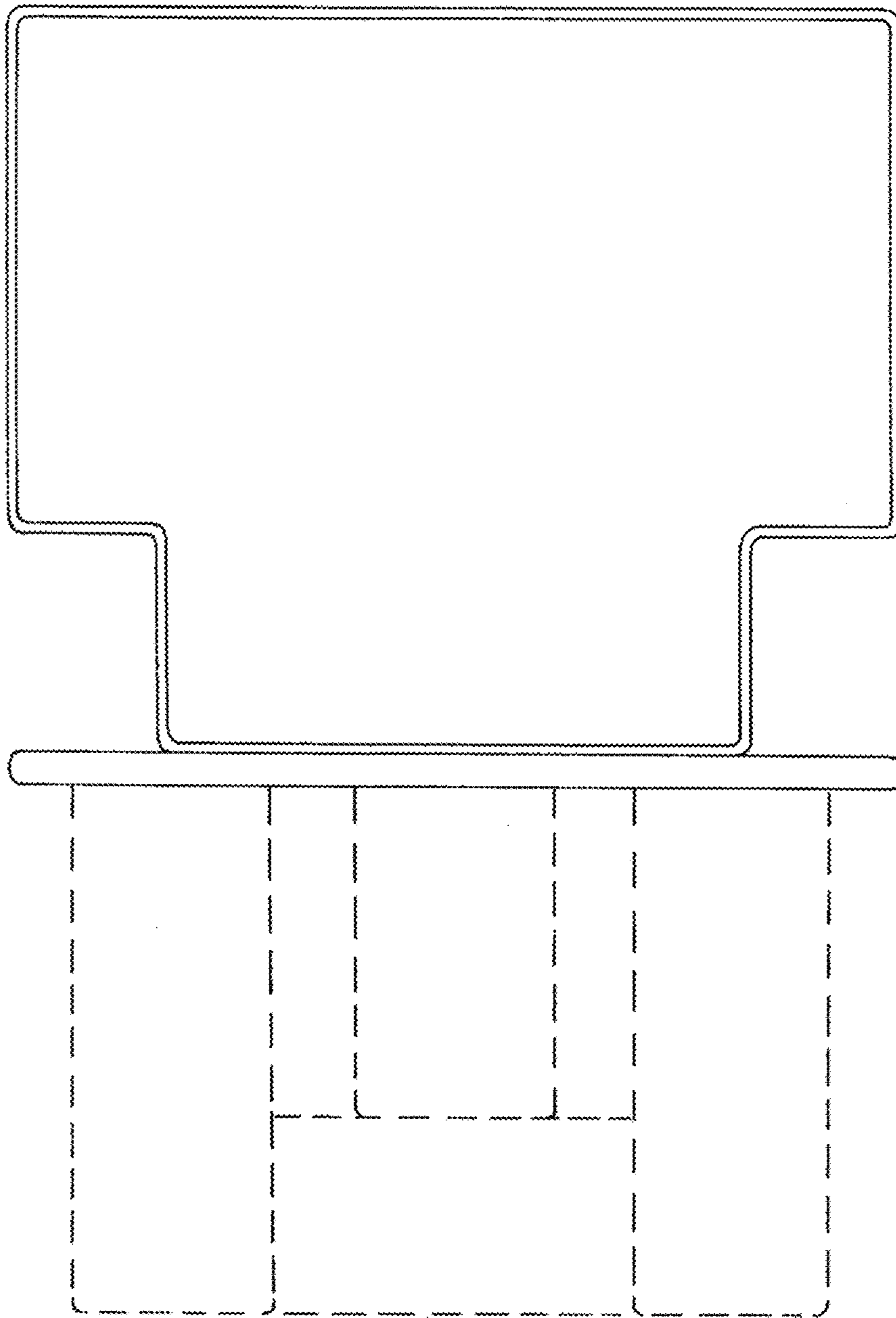


FIG. 2

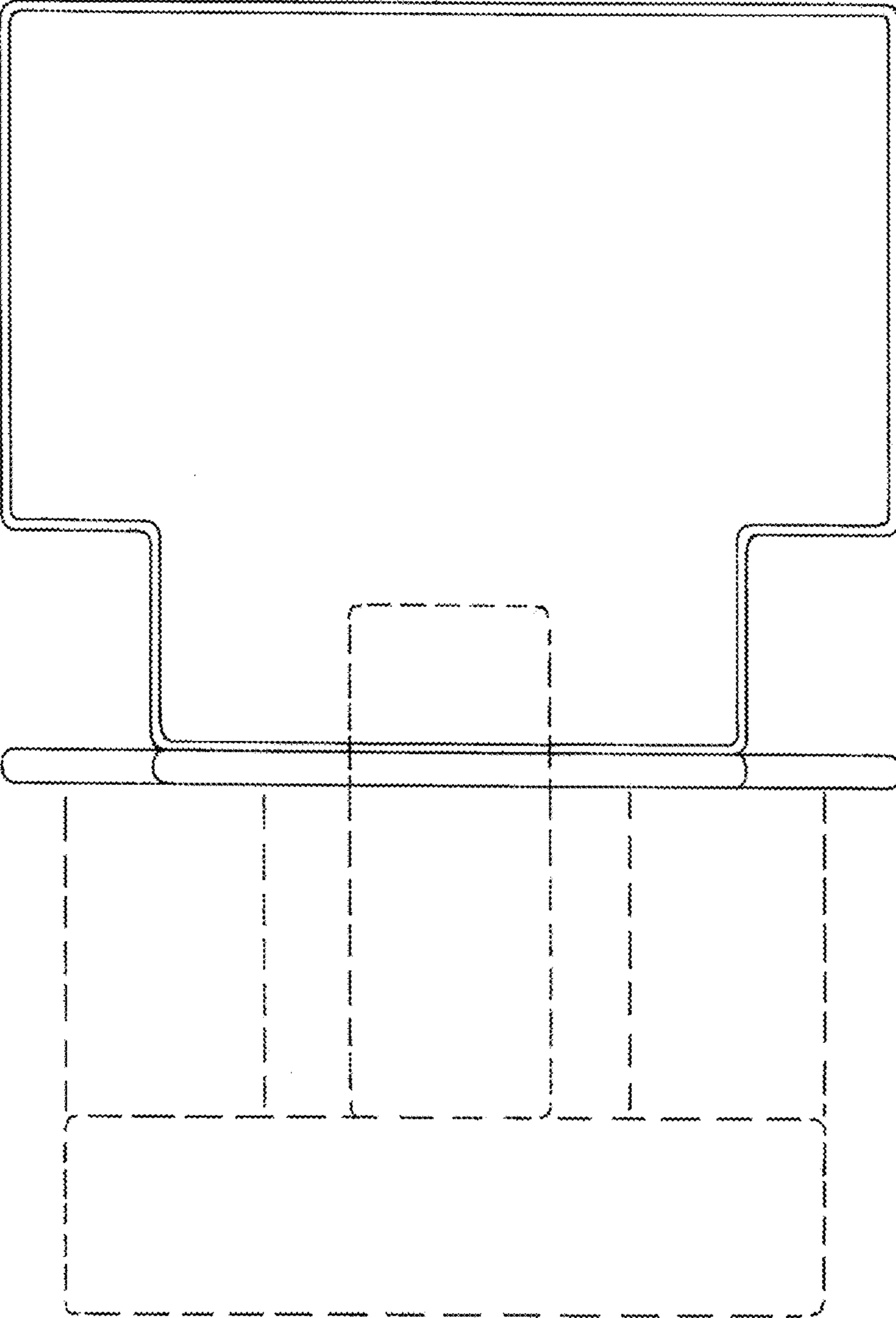


FIG. 3

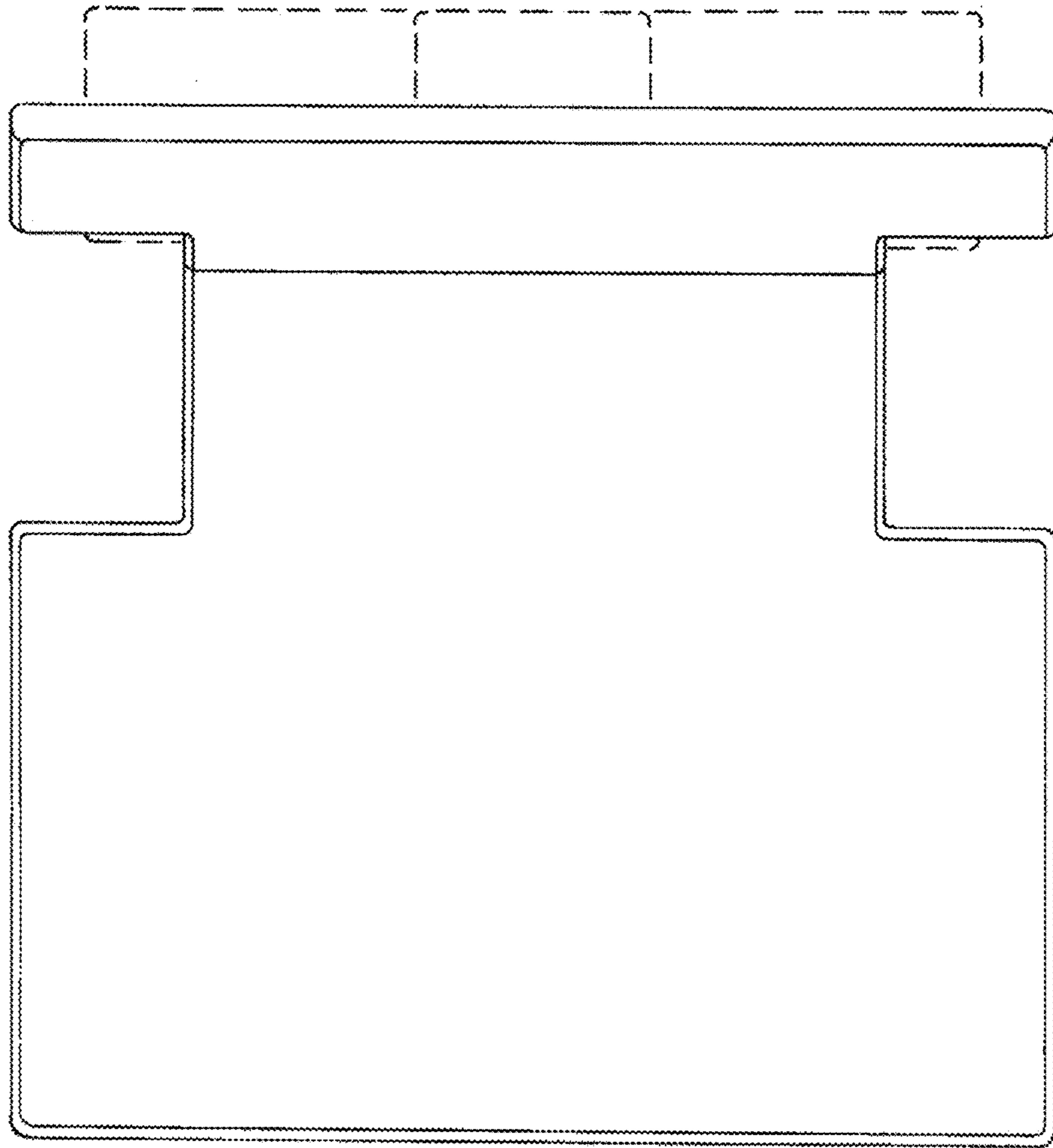


FIG. 4

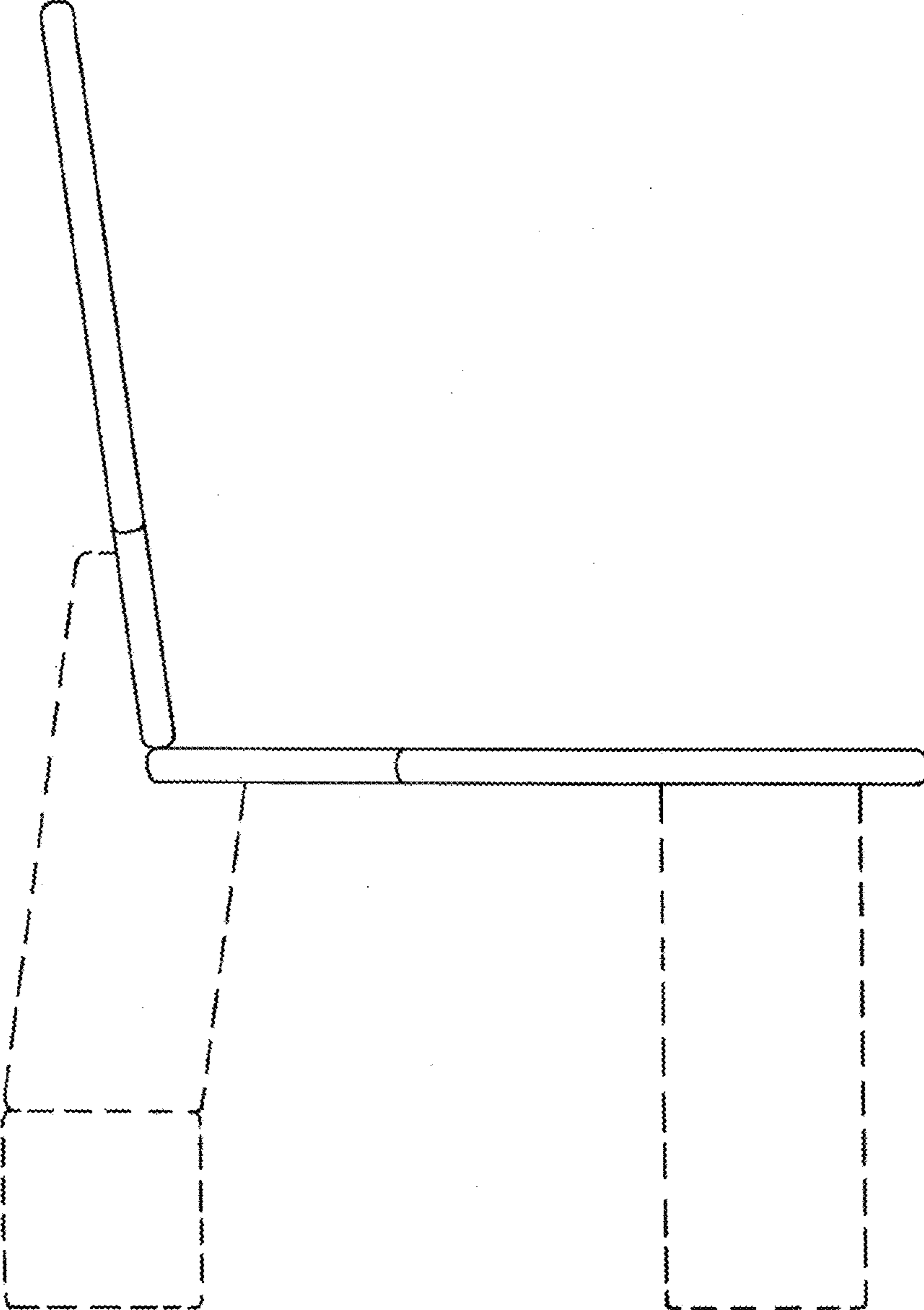


FIG. 5

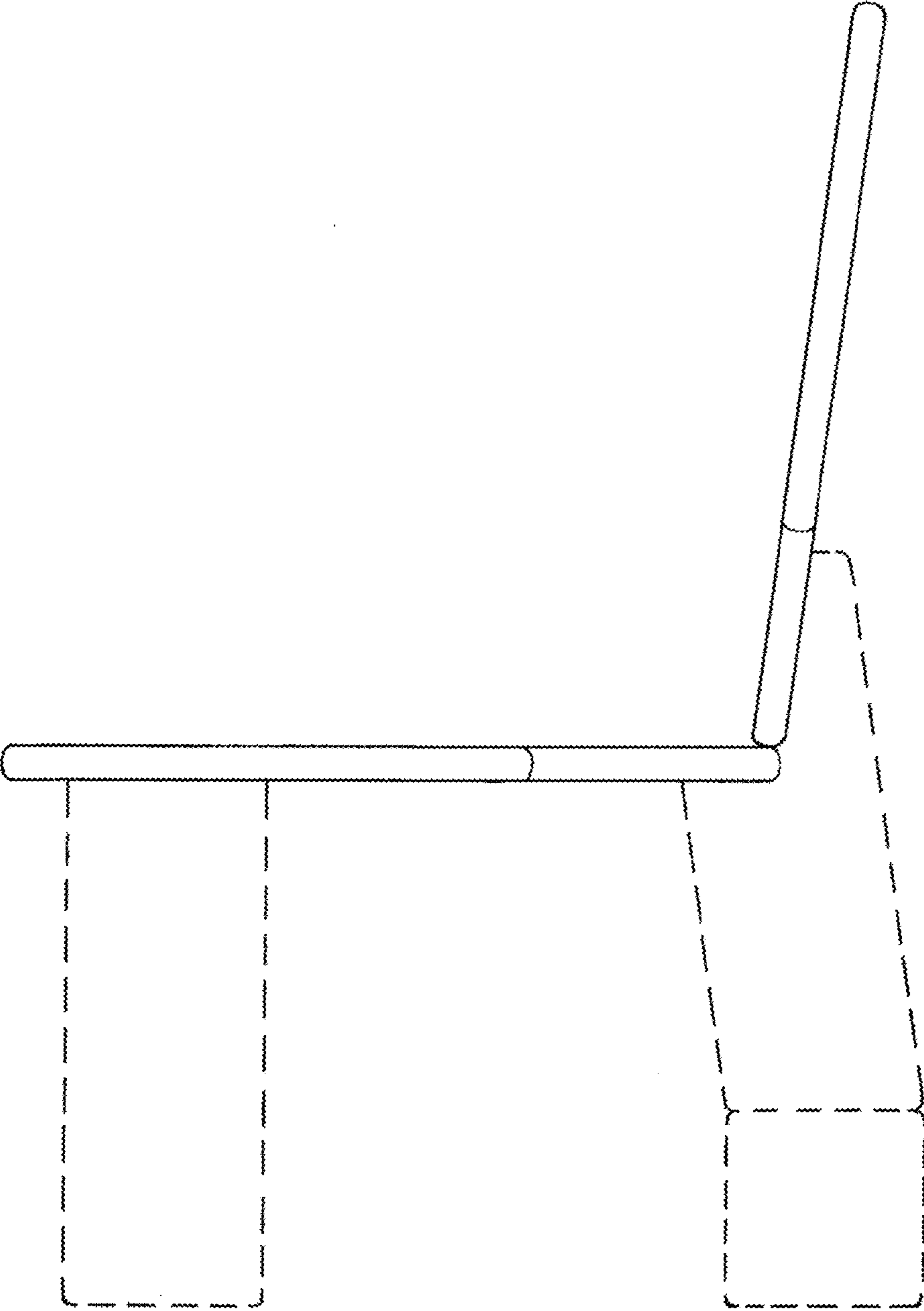


FIG. 6