



US00D765451S

(12) **United States Design Patent** (10) **Patent No.:** **US D765,451 S**
Lin (45) **Date of Patent:** **** Sep. 6, 2016**

- (54) **DRAWER**
- (71) Applicant: **Hong-Yi Wooden Article Co., LTD.,**
Taichung (TW)
- (72) Inventor: **Chen-Chieh Lin,** Taichung (TW)
- (73) Assignee: **Hong-Yi Wooden Article Co., LTD.,**
Taichung (TW)
- (**) Term: **14 Years**
- (21) Appl. No.: **29/495,726**
- (22) Filed: **Jul. 3, 2014**
- (51) **LOC (10) Cl.** **06-06**
- (52) **U.S. Cl.**
USPC **D6/705.5**
- (58) **Field of Classification Search**
USPC D6/705.5, 705, 657, 671, 671.1, 691,
D6/703; D3/273, 296, 276, 281, 294
CPC .. A47B 88/00; A47B 88/0022; A47B 88/20;
A47B 88/0014; A47B 88/0018; A47B
88/0044; A47B 88/0081; A47B 2088/0007;
B25H 3/003; B25H 3/04; B25H 3/02
See application file for complete search history.

(56) **References Cited**

U.S. PATENT DOCUMENTS

- D417,571 S * 12/1999 Teufel D6/705.5
- D459,622 S * 7/2002 Lio D6/705.5
- D503,255 S * 3/2005 Lynch D6/705.5
- D504,258 S * 4/2005 Grossman D6/336
- D504,260 S * 4/2005 Arceta D6/705.5
- D509,688 S * 9/2005 Lynch D6/705.5
- D511,061 S * 11/2005 Ben-Or D3/297
- D514,846 S * 2/2006 McDiarmid D6/671.1
- D522,058 S * 5/2006 Yoshikawa D19/75
- D525,656 S * 7/2006 Yoshikawa D19/75
- D563,692 S * 3/2008 DeCarlo D6/663
- D579,245 S * 10/2008 Daino D6/705.5

- D583,172 S * 12/2008 Cassel D3/297
- D599,589 S * 9/2009 Cassel D3/297
- D600,941 S * 9/2009 Lim D6/651
- D659,448 S * 5/2012 Myers D6/705.5
- D674,626 S * 1/2013 Gasser D6/705.5
- D684,400 S * 6/2013 Gasser D6/705.5
- D684,796 S * 6/2013 Gasser D6/705.5
- D699,490 S * 2/2014 James D6/705.5
- D722,452 S * 2/2015 Lu D6/657
- D722,792 S * 2/2015 Everson D6/671.1
- 2011/0080077 A1* 4/2011 Lin A47B 97/00
312/270.3
- 2013/0112703 A1* 5/2013 Shoenfeld A47B 88/20
221/282
- 2014/0117828 A1* 5/2014 Gasser A47B 88/0014
312/333
- 2014/0285080 A1* 9/2014 Feuerstein A47B 88/0014
312/330.1

* cited by examiner

Primary Examiner — Rosemary K Tarcza
Assistant Examiner — James C Thorn, Sr.
(74) *Attorney, Agent, or Firm* — LeClairRyan

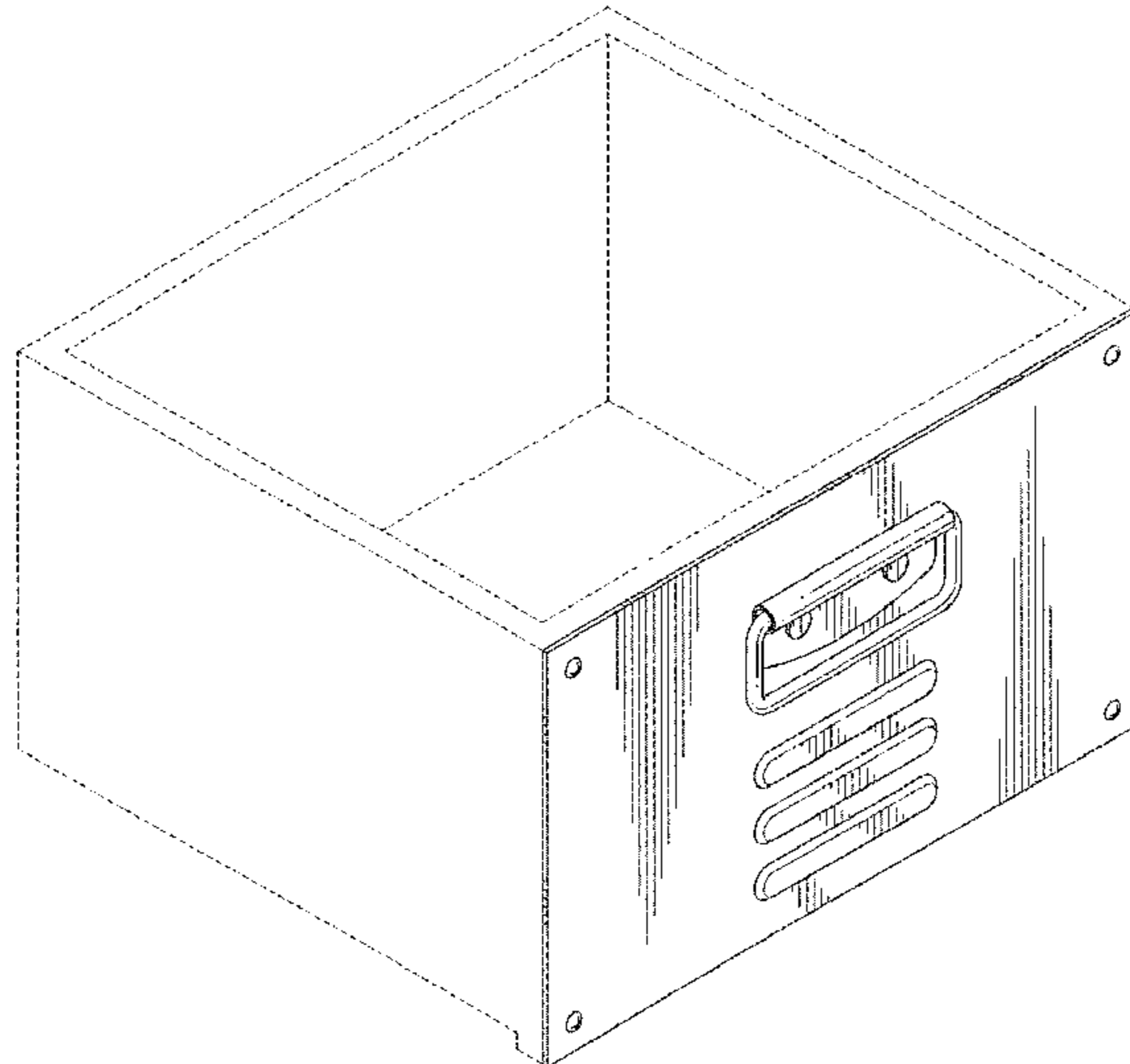
(57) **CLAIM**

The ornamental design for drawer, as shown and described.

DESCRIPTION

FIG. 1 is a perspective view of drawer showing my new design;
FIG. 2 is a front elevational view thereof;
FIG. 3 is a rear elevational view thereof;
FIG. 4 is a left side elevational view thereof;
FIG. 5 is a right side elevational view thereof;
FIG. 6 is a top plan view thereof;
FIG. 7 is a bottom plan view thereof;
FIG. 8 is a perspective view, shown in use; and,
FIG. 9 is a second perspective view, shown in use.
The broken lines shown in the drawings are included for the purpose of illustrating environmental structure and form no part of the claimed design.

1 Claim, 9 Drawing Sheets



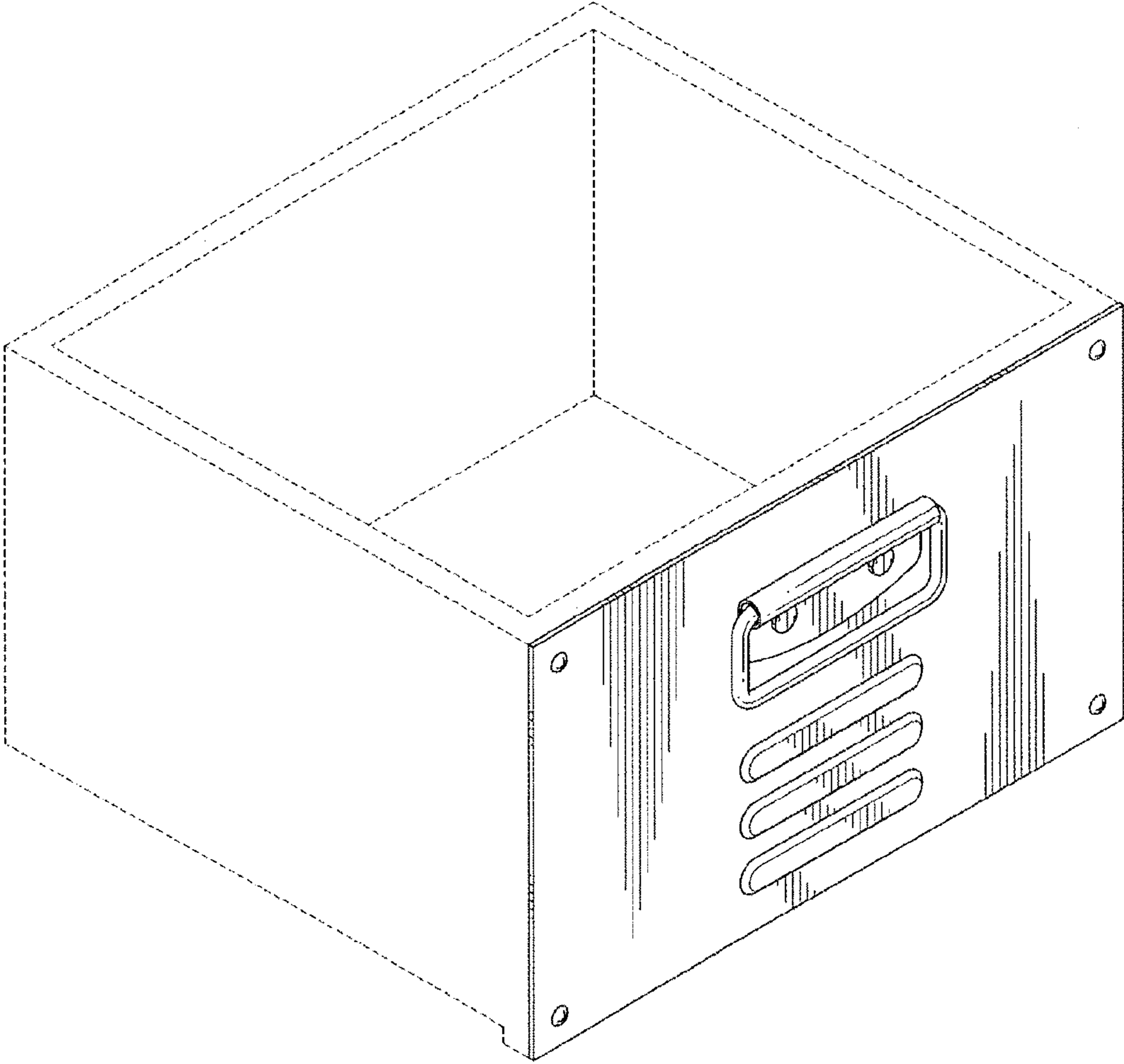


FIG.1

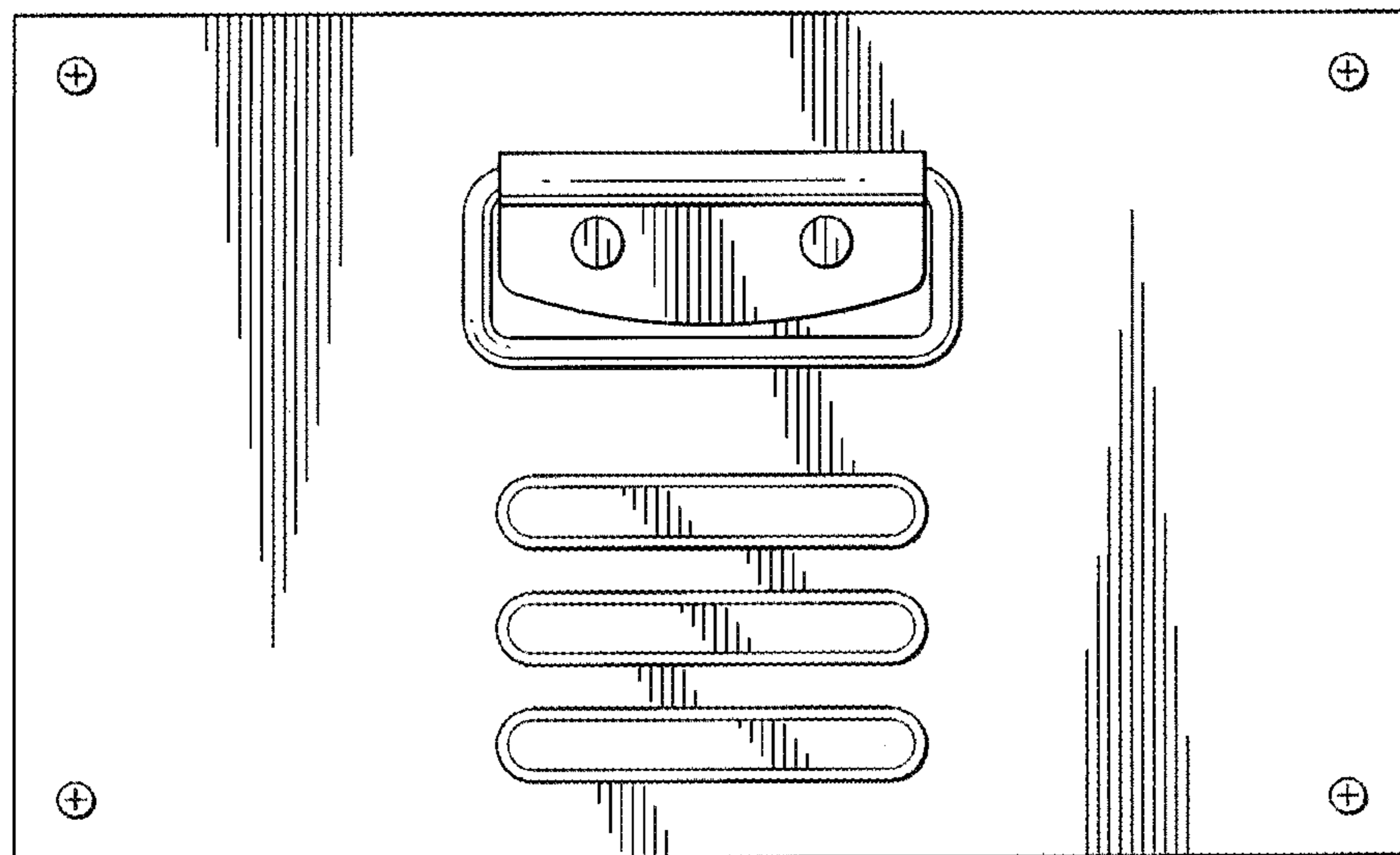


FIG.2

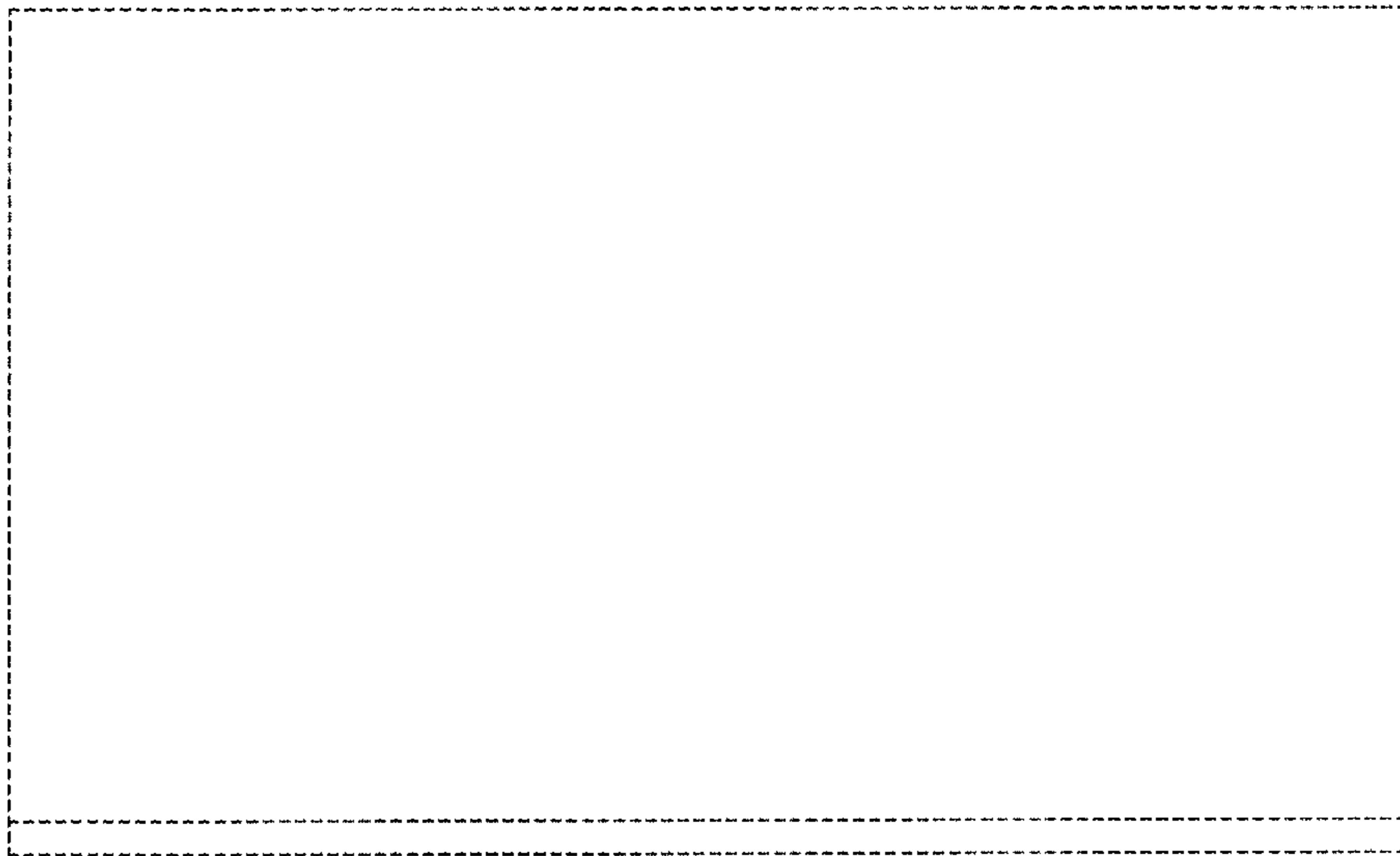


FIG.3



FIG. 4



FIG.5

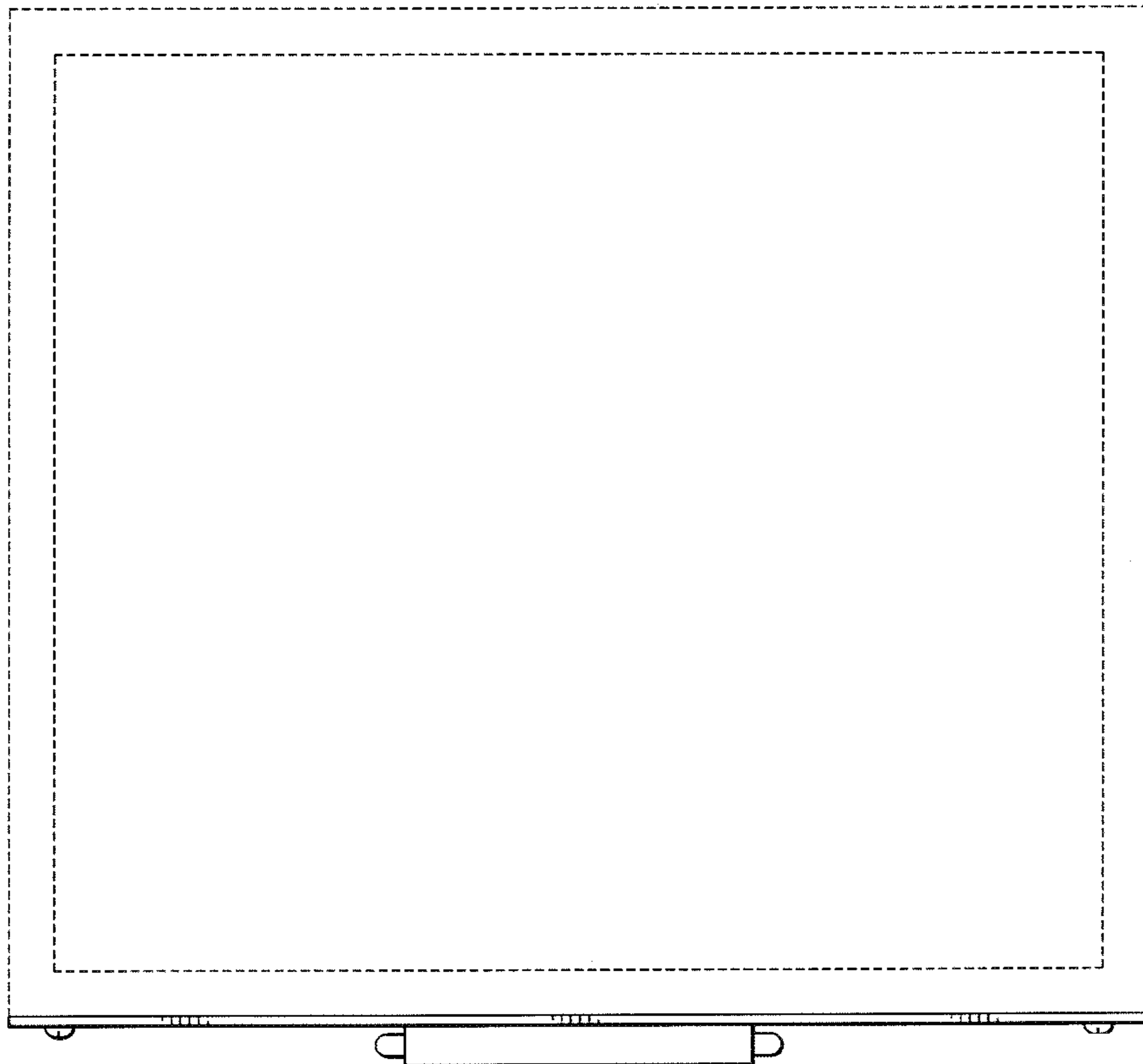


FIG.6

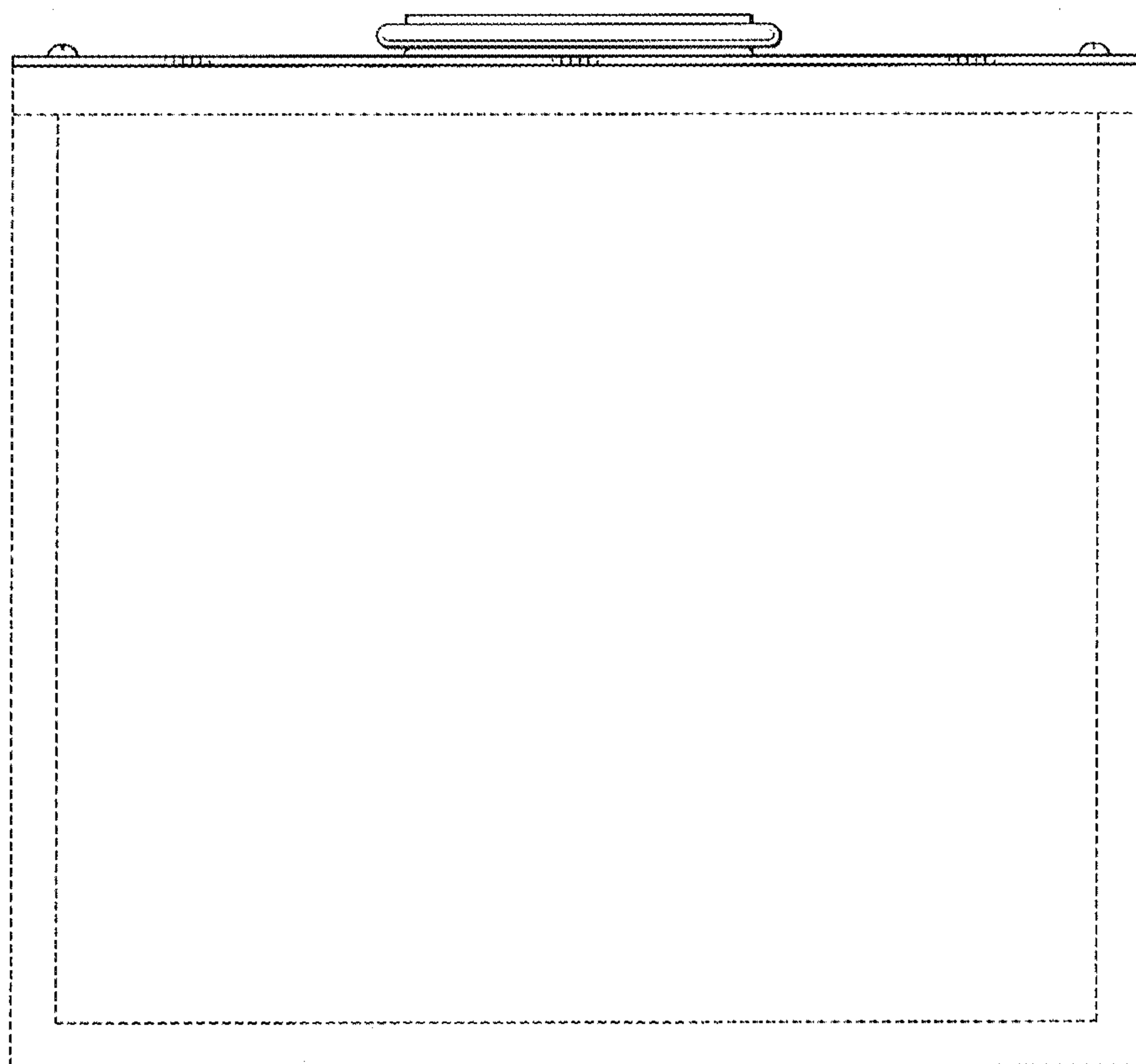


FIG. 7

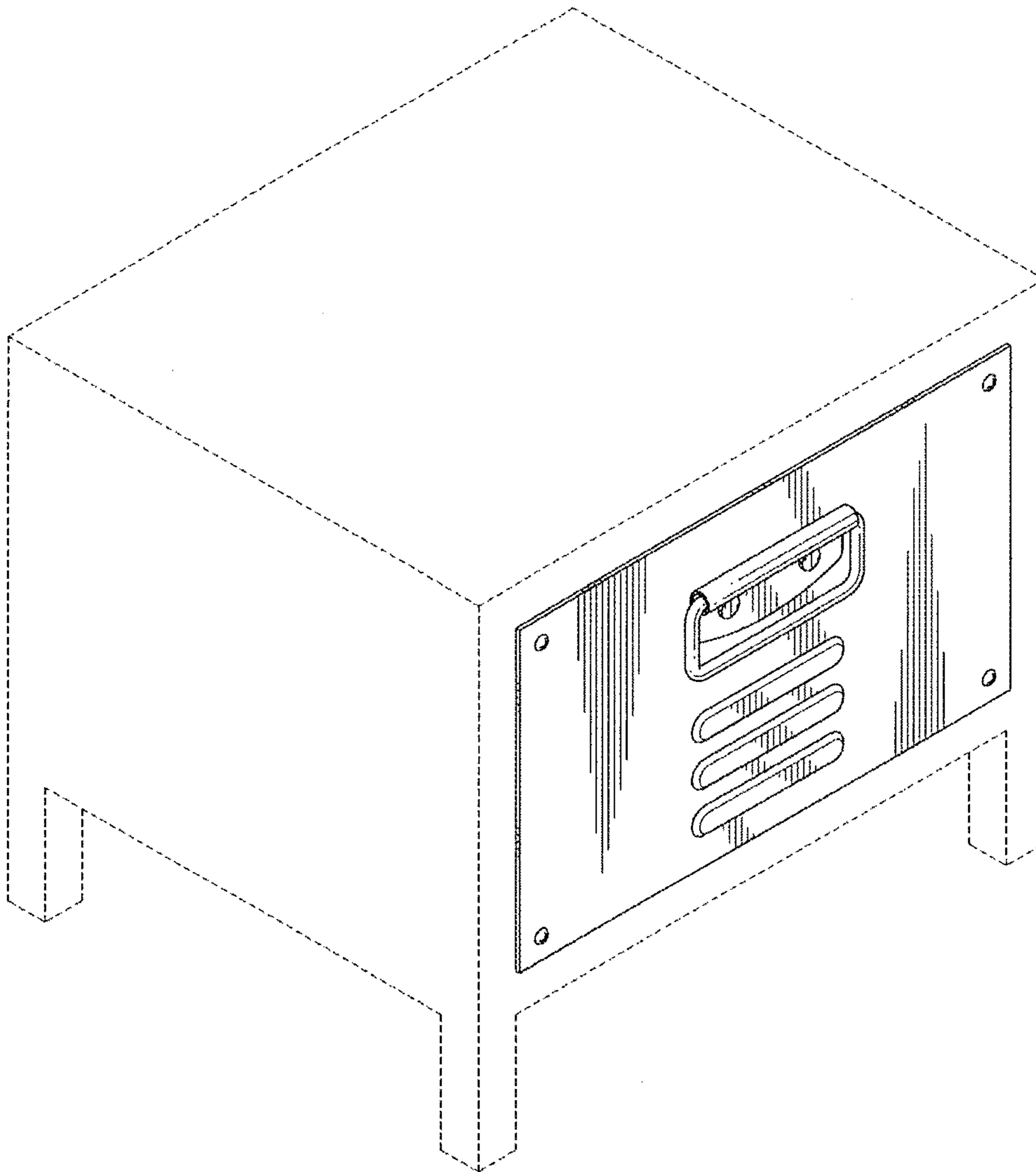


FIG.8

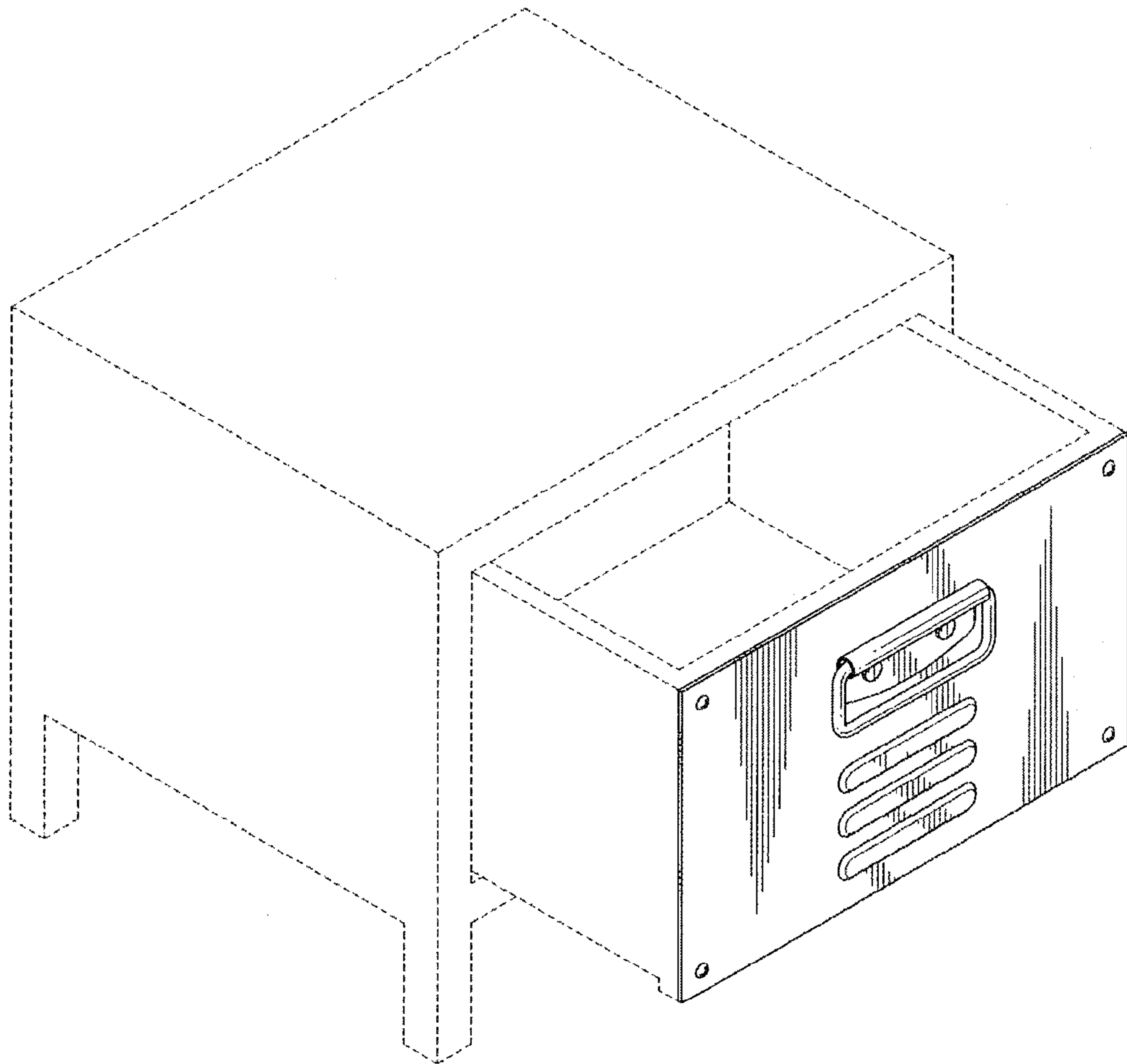


FIG.9