



US00D765449S

(12) **United States Design Patent** (10) **Patent No.:** **US D765,449 S**
Buller (45) **Date of Patent:** **** Sep. 6, 2016**

(54) **GAME CONTROLLER STAND**
(71) Applicant: **Jonathan Blake Buller**, Temecula, CA (US)
(72) Inventor: **Jonathan Blake Buller**, Temecula, CA (US)

(**) Term: **14 Years**

(21) Appl. No.: **29/523,511**

(22) Filed: **Apr. 10, 2015**

(51) **LOC (10) Cl.** **06-06**

(52) **U.S. Cl.**
USPC **D6/682.3**

(58) **Field of Classification Search**
USPC D6/407, 449-450, 456, 459, 466-467, D6/475-476, 479, 672, 673, 682, 682.3; D14/251, 253; 211/13.1, 85.1-85.2, 211/85.6, 26.1, 36-39, 40, 41.1, 41.12, 85, 211/164, 119.003

CPC A47B 23/00; A47B 108/43; A63B 71/00
See application file for complete search history.

(56) **References Cited**

U.S. PATENT DOCUMENTS

D252,899 S	9/1979	Campbell
D273,165 S	3/1984	Sternberg
D278,102 S	3/1985	Wagner, Jr.
D281,657 S	12/1985	Roczey
D287,365 S	12/1986	Judd
D316,347 S	4/1991	Getto
D320,027 S	9/1991	Mintz et al.
D330,147 S	10/1992	Garber
D332,360 S	1/1993	Golds
D337,762 S	7/1993	Crane
D338,453 S	8/1993	Martin
D351,147 S	10/1994	Hill
D361,452 S	8/1995	Neylon
D363,619 S	10/1995	Karnaze
D368,605 S	4/1996	Lechleiter
D371,220 S	6/1996	Behrens

D391,098 S	2/1998	Northrop	
D411,824 S	7/1999	Wilson, Sr. et al.	
D435,253 S	12/2000	Oden, II et al.	
D468,305 S	1/2003	Ma et al.	
D469,073 S	1/2003	Muenschler et al.	
D489,412 S	5/2004	Hsu	
D501,617 S	2/2005	Katz	
D502,913 S	3/2005	Fukami et al.	
D510,208 S	10/2005	Klimas	
D523,809 S	6/2006	Roth et al.	
D529,440 S	10/2006	Lodato et al.	
D532,746 S	11/2006	Meyers et al.	
D534,489 S *	1/2007	Klein D13/108
D540,802 S	4/2007	Hussaini et al.	

(Continued)

Primary Examiner — Kelley Donnelly

(74) *Attorney, Agent, or Firm* — Kirk A. Buhler; Buhler & Associates

(57) **CLAIM**

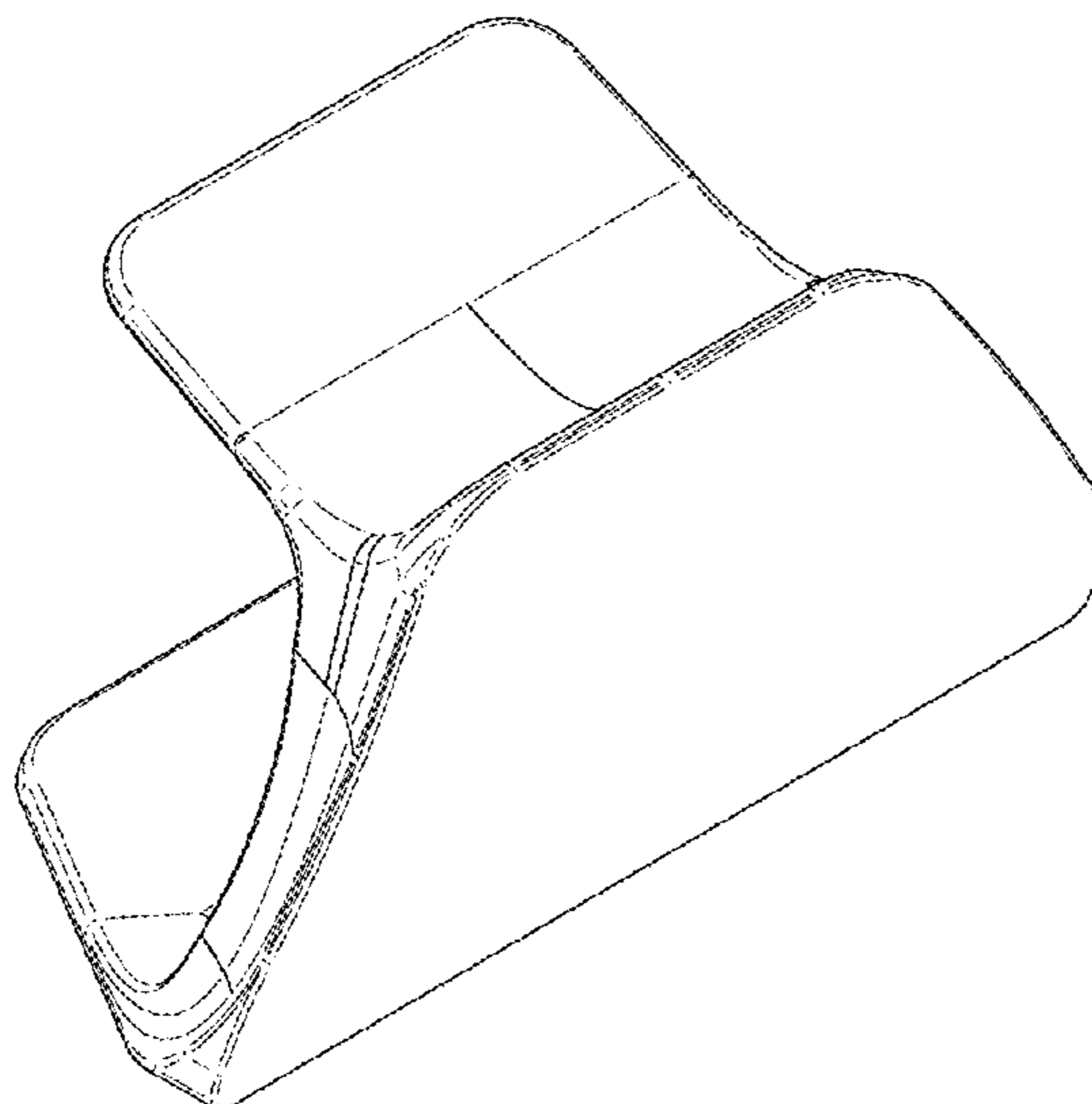
The ornamental design for a game controller stand, as shown and described.

DESCRIPTION

FIG. 1 is a top, front, left perspective view for a game controller stand showing my new design; FIG. 2 is a right side view thereof; FIG. 3 is a left side view thereof; FIG. 4 is a rear side view thereof; FIG. 5 is a front side view thereof; FIG. 6 is a top side view thereof; FIG. 7 is a bottom side view thereof; FIG. 8 is a right side sectional view taken along lines 8-8 from FIG. 5 thereof; FIG. 9 is a top, rear, right perspective view thereof; and, FIG. 10 is a top, front, right view shown in an environment of use.

The broken lines in FIG. 10 show a game controller within the game controller stand and depicts environmental subject for the invention and forms no part of the claimed design.

1 Claim, 6 Drawing Sheets



(56)

References Cited

U.S. PATENT DOCUMENTS

D545,319 S	6/2007	Griffin			
D549,707 S	8/2007	Depay			
D568,809 S	5/2008	Izumo et al.			
D574,375 S	8/2008	Prest et al.			
D615,491 S	5/2010	Emminger			
D618,692 S *	6/2010	Deutsch	D14/238.1		
D626,558 S	11/2010	Julien			
D634,708 S	3/2011	Cowan et al.			
D636,395 S	4/2011	Anderson et al.			
7,942,747 B2	5/2011	Cole			
D640,247 S *	6/2011	Baumann	D14/253		
D640,249 S *	6/2011	Choi	D14/253		
D647,525 S	10/2011	Seto			
D647,881 S	11/2011	Warner			
D652,495 S	1/2012	Smith et al.			
D666,025 S	8/2012	Cobbett et al.			
D674,381 S	1/2013	Ma			
D675,323 S	1/2013	Spainhower			
D694,248 S *	11/2013	Van Natta	D14/447		
D702,064 S	4/2014	Ho			
D706,556 S *	6/2014	Buller	D6/672		
D706,561 S *	6/2014	Buller	D6/682		
D706,784 S *	6/2014	Mills	D14/447		
D709,308 S *	7/2014	Buller	D6/682		
D714,576 S *	10/2014	Buller	D6/682.3		
D720,564 S *	1/2015	Buller	D6/682		
D726,458 S *	4/2015	Buller	D6/683		
D735,564 S *	8/2015	Goodman	D8/372		
D741,847 S *	10/2015	Jeon	D14/253		

* cited by examiner

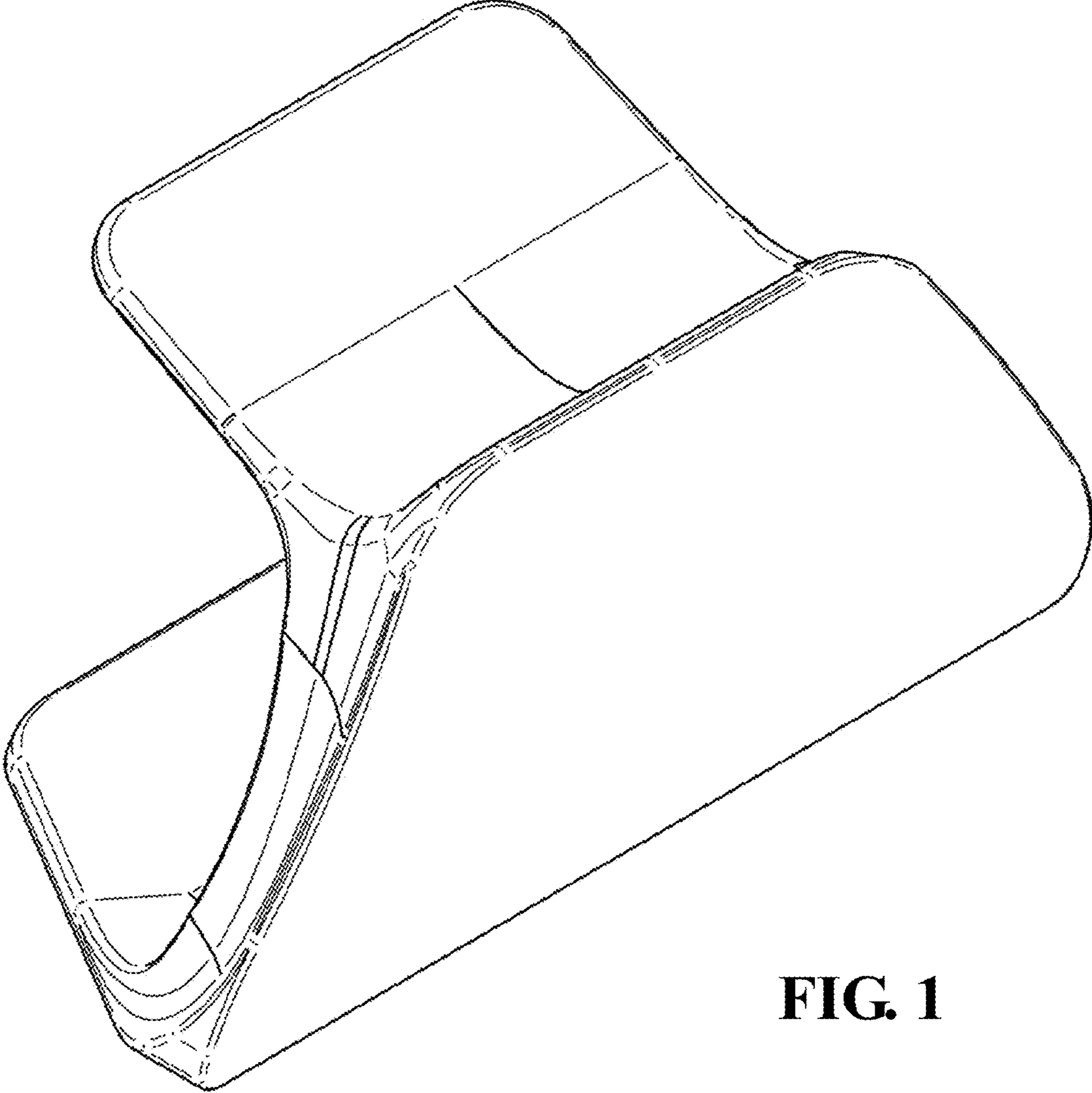


FIG. 1

FIG. 2

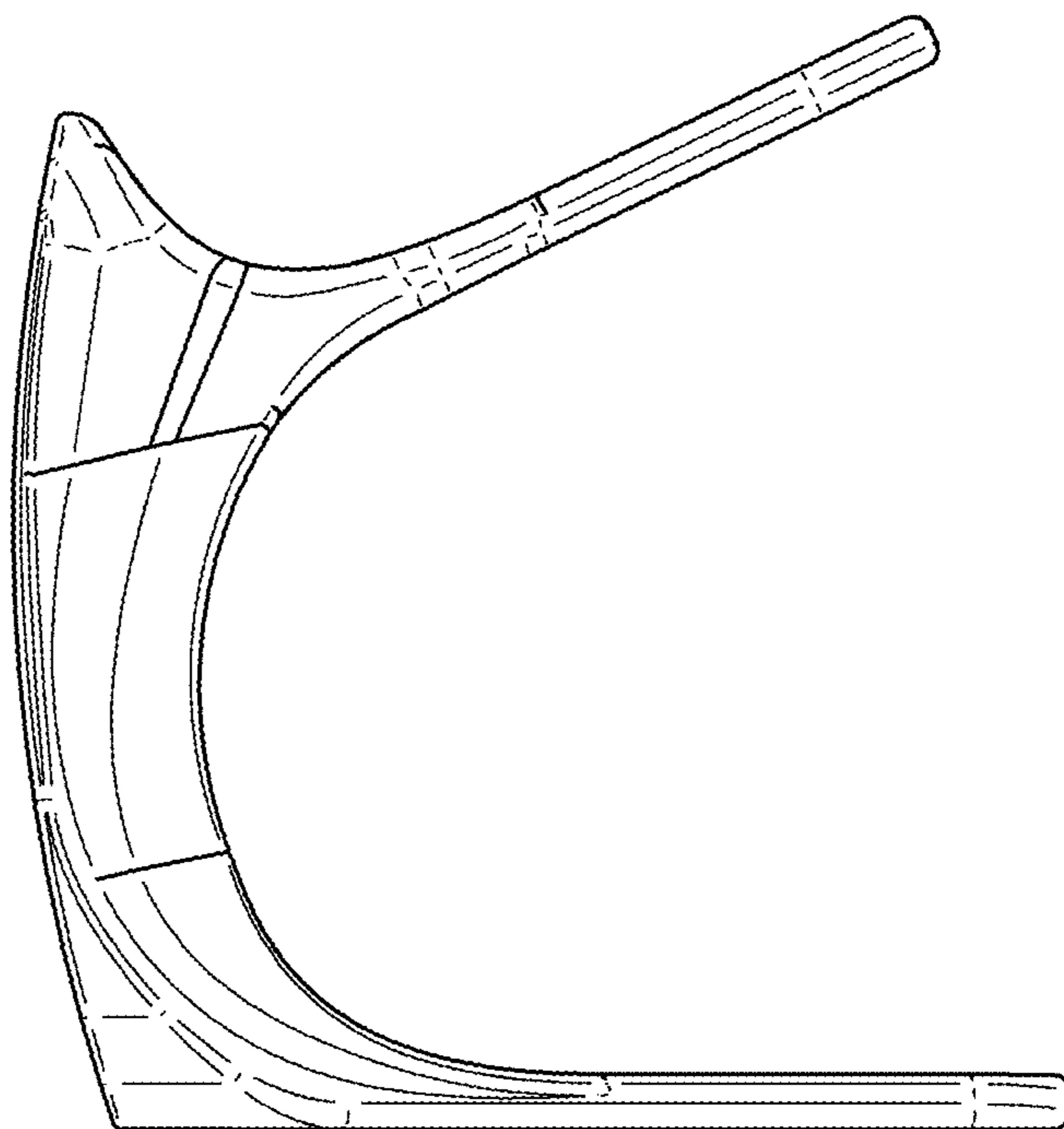
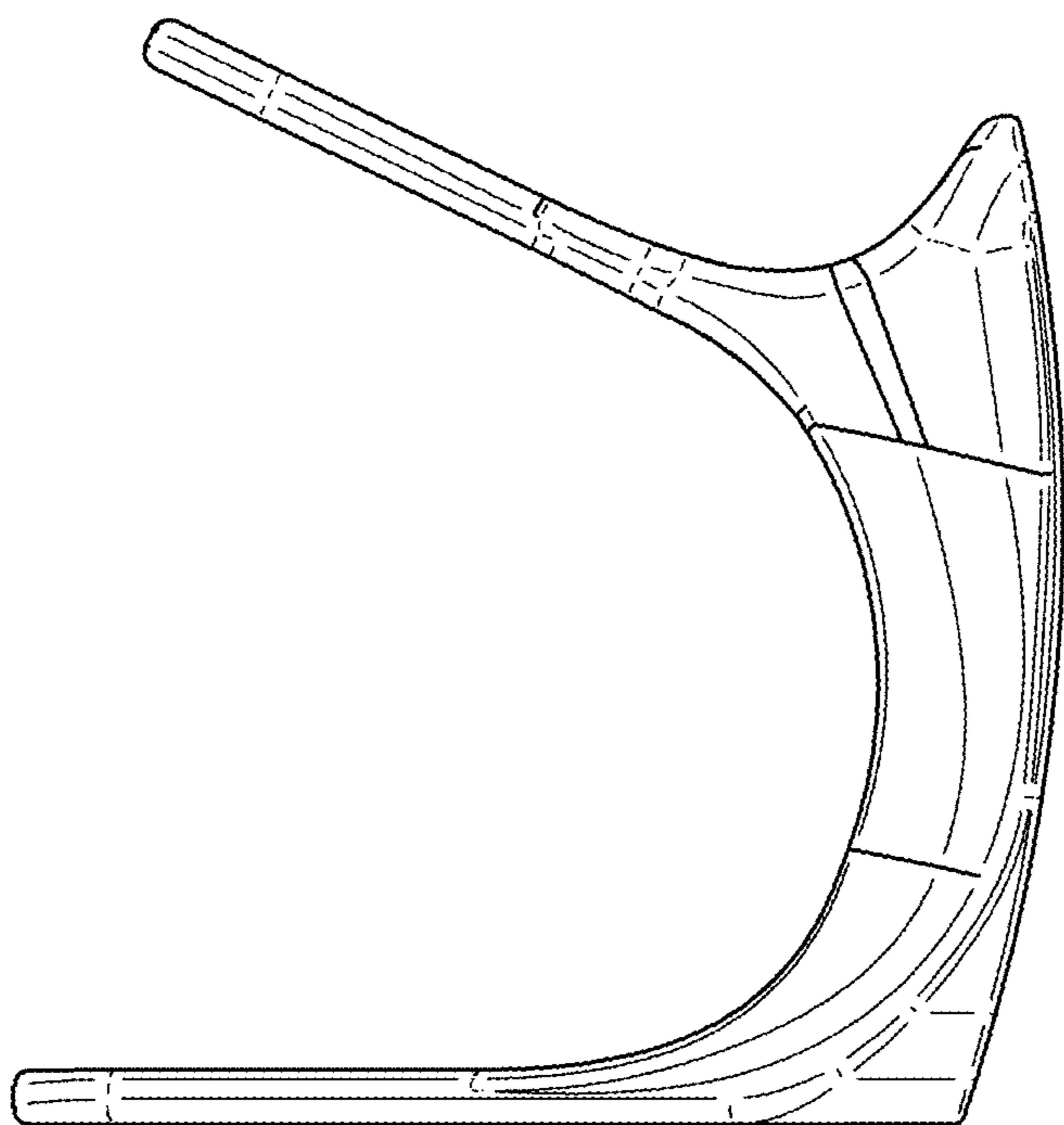


FIG. 3



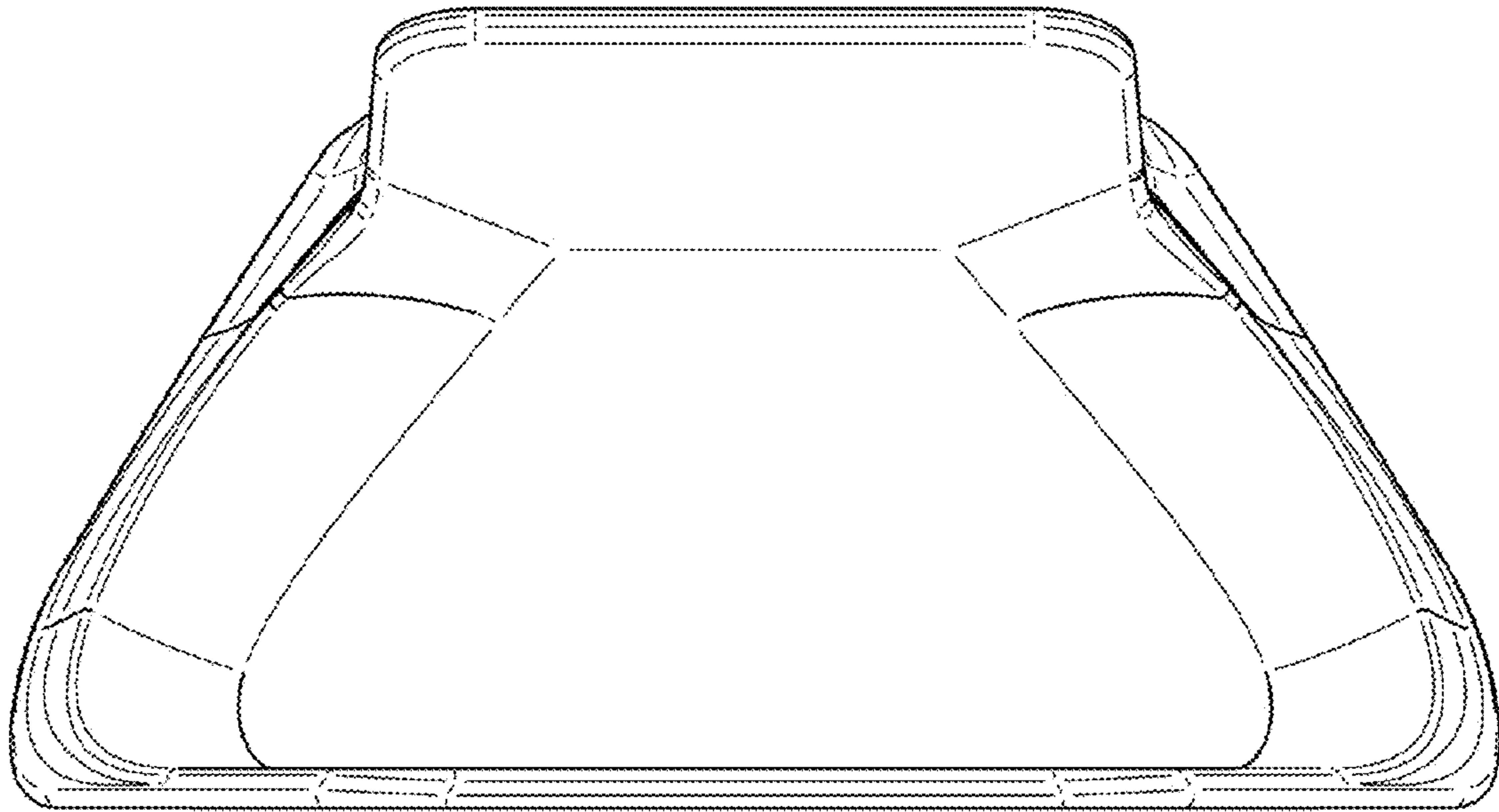


FIG. 4

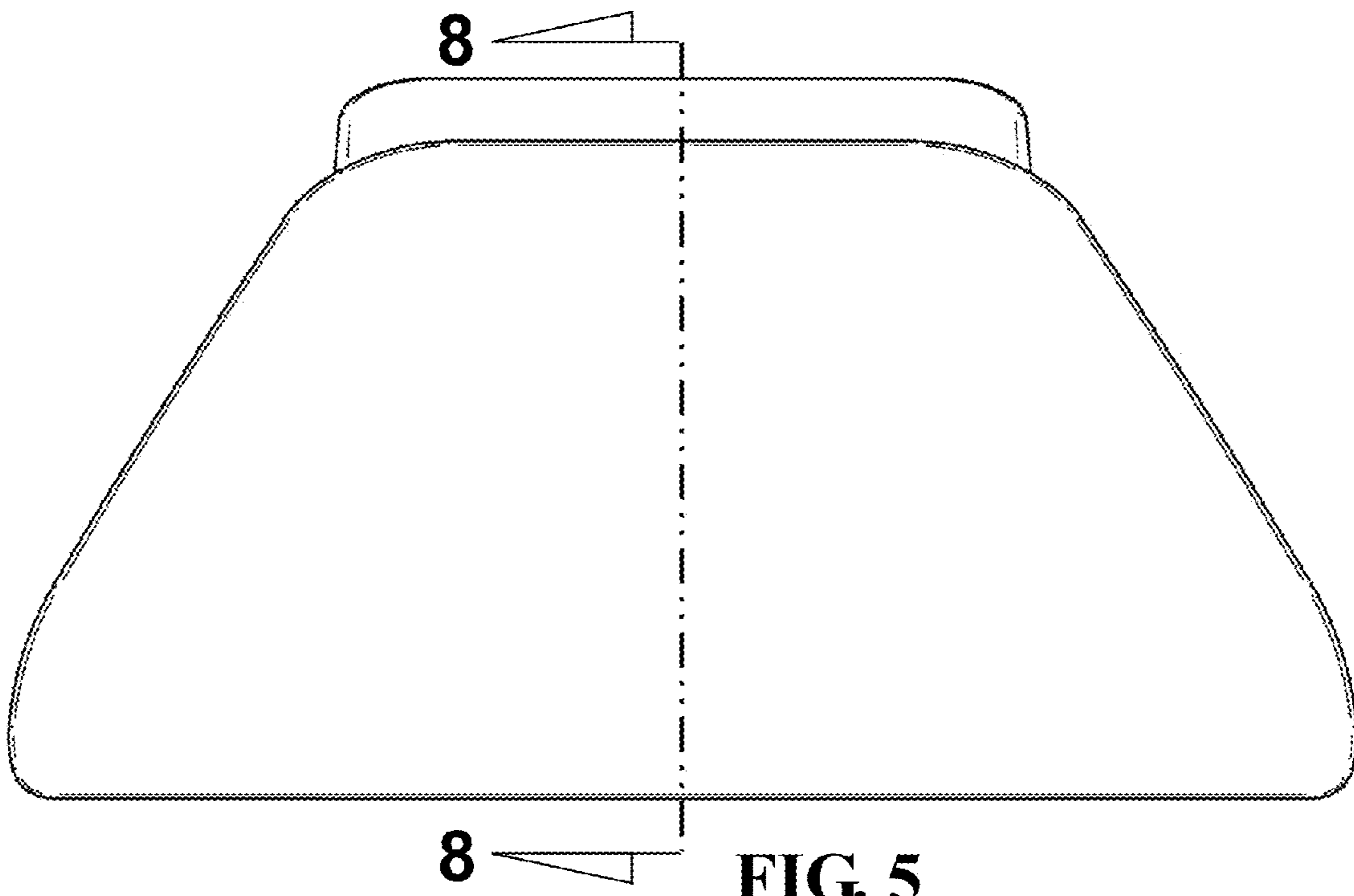


FIG. 5

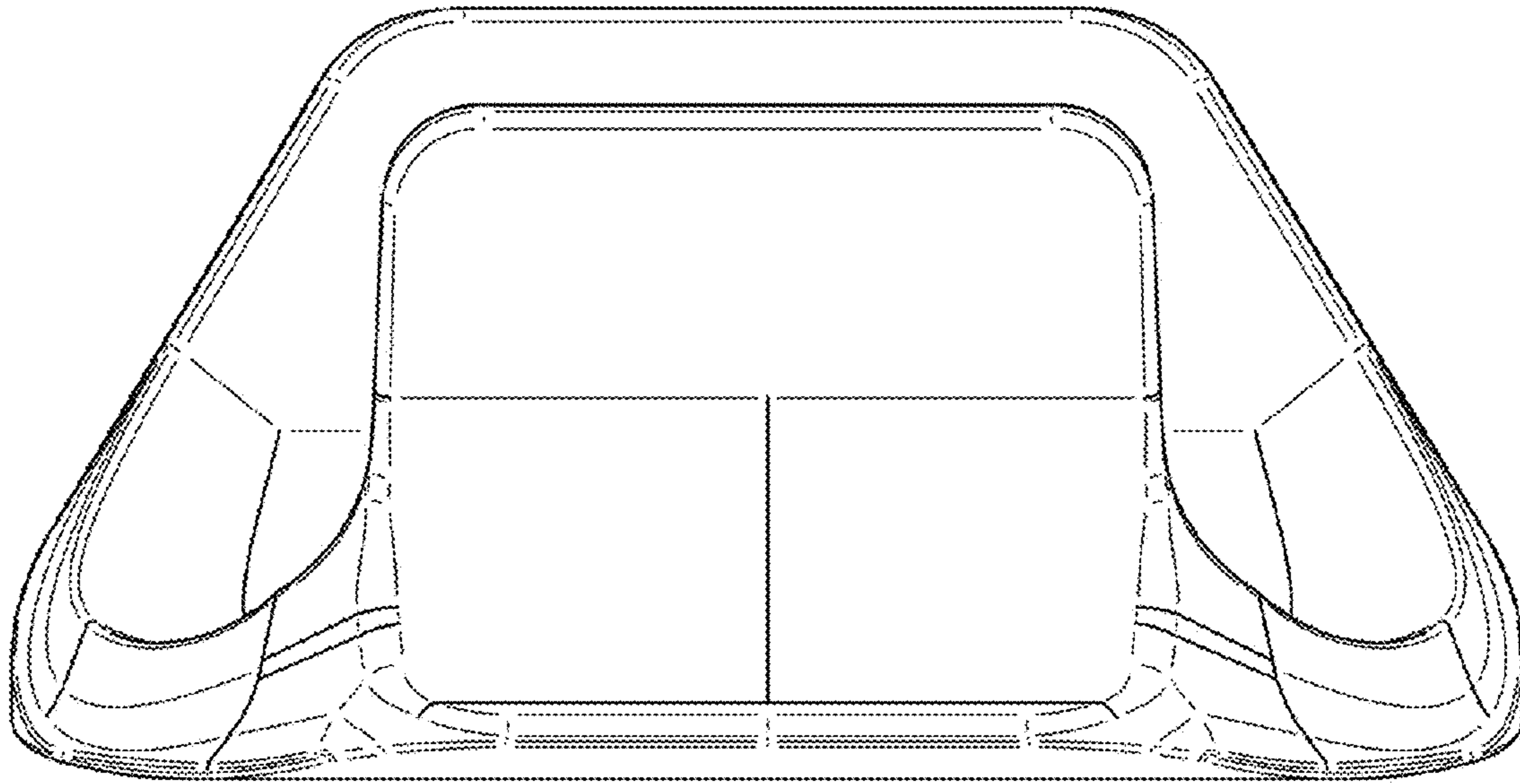


FIG. 6

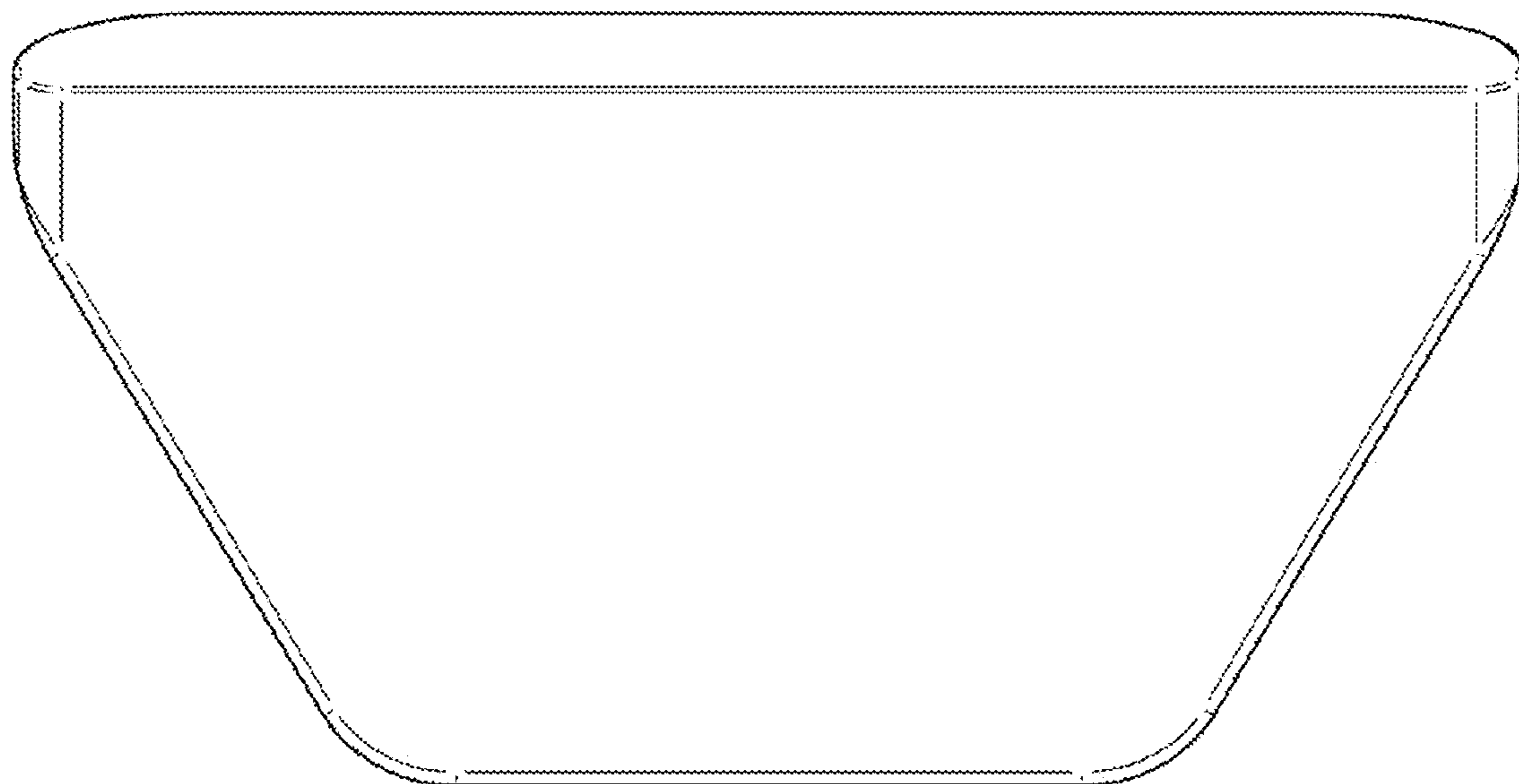


FIG. 7

FIG. 8

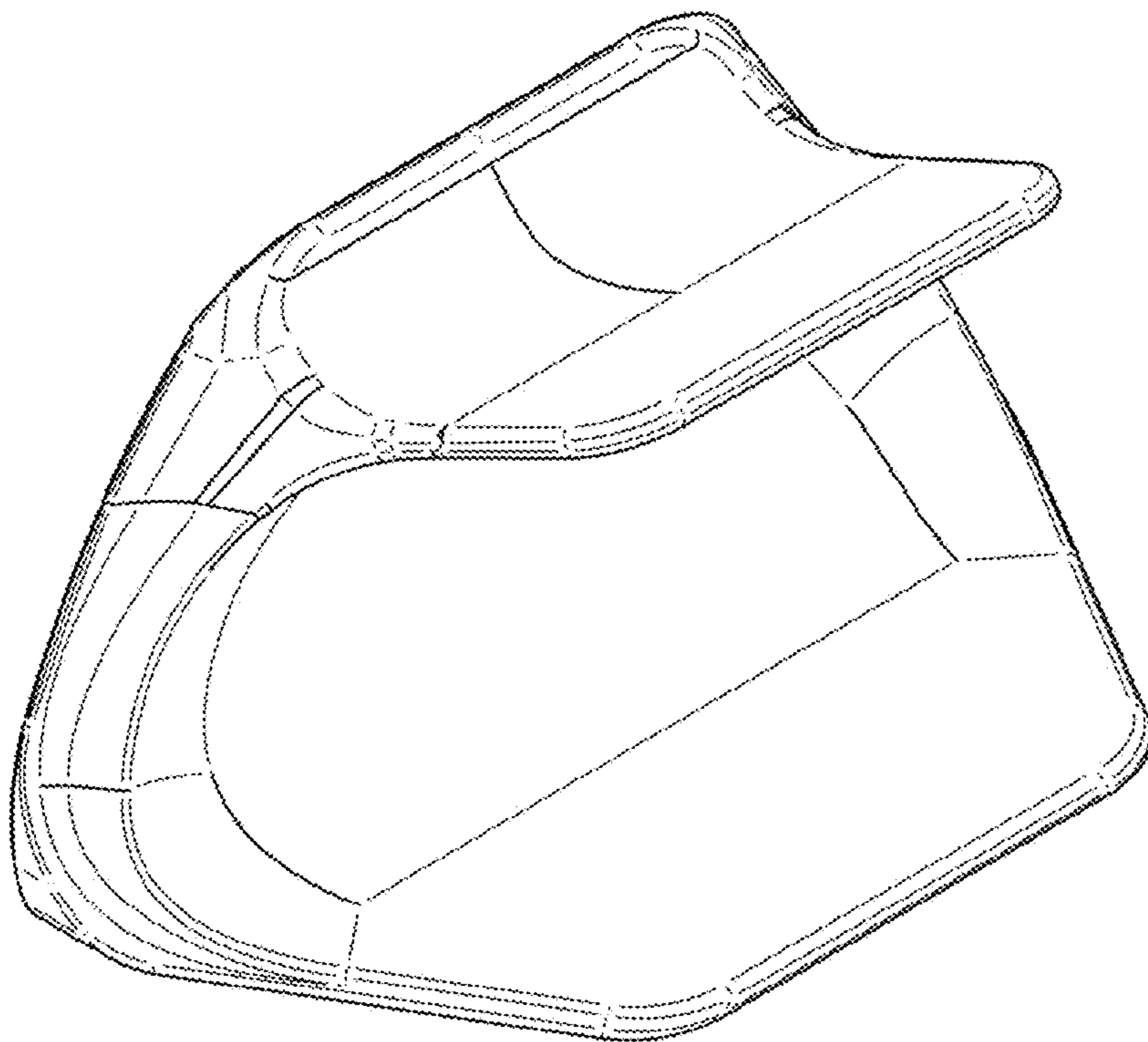
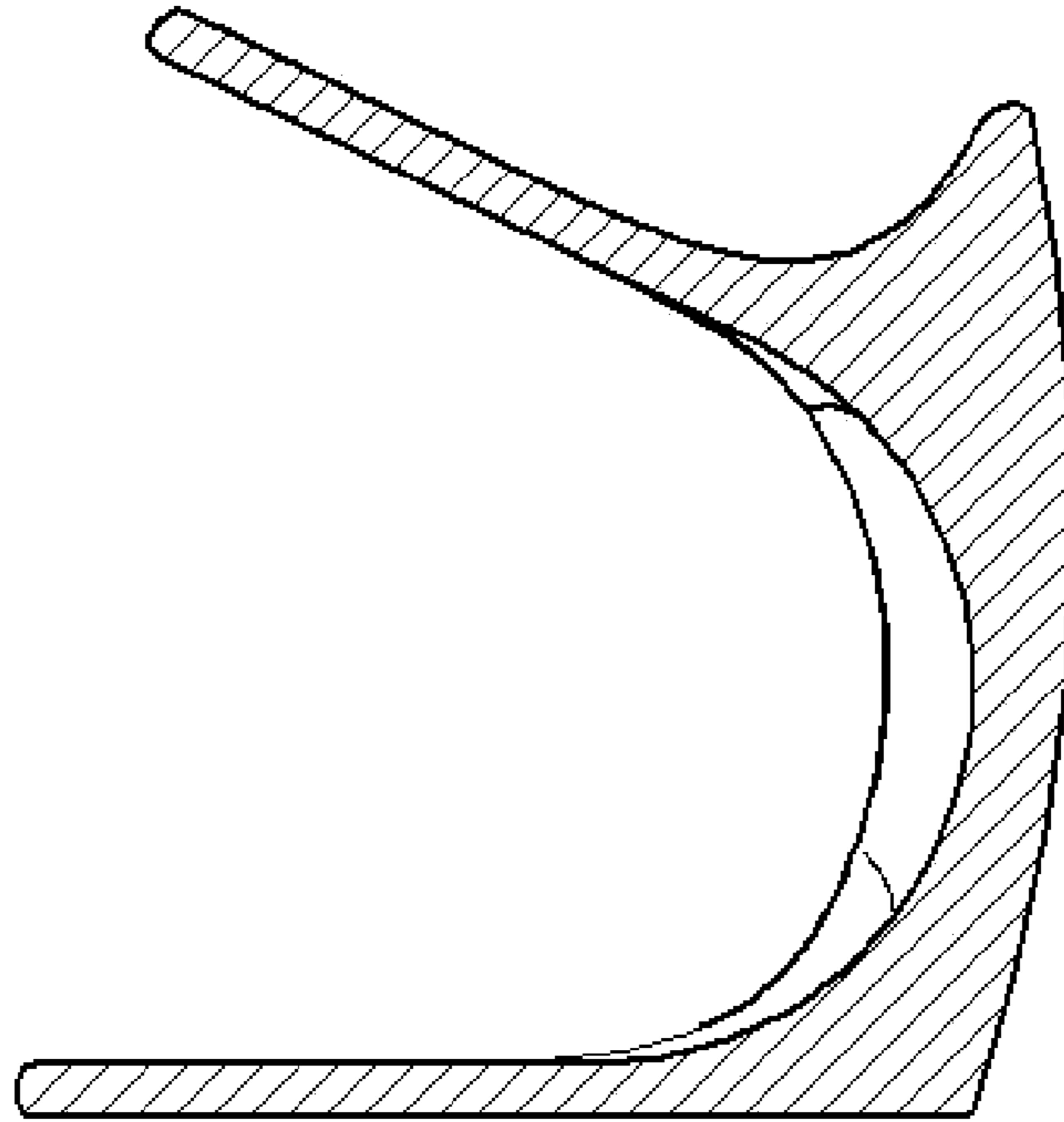


FIG. 9

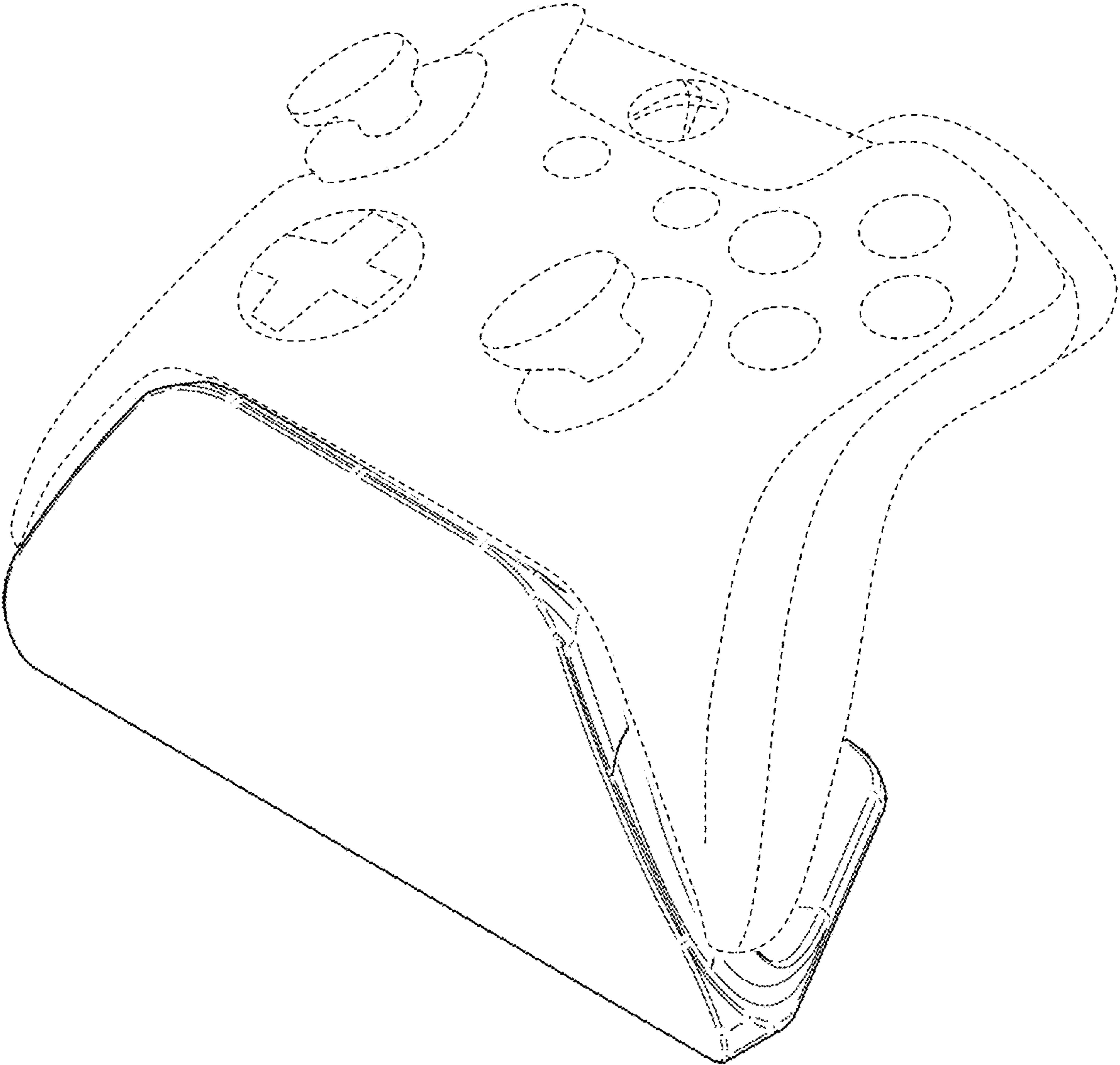


FIG. 10