

US00D765447S

(12) **United States Design Patent**
Barham et al.

(10) **Patent No.:** **US D765,447 S**

(45) **Date of Patent:** **** Sep. 6, 2016**

(54) **BAGGIE CADDIE**

(71) Applicants: **Candice Barham**, Aliso Viejo, CA
(US); **Corinne Barham**, Encinitas, CA
(US)

(72) Inventors: **Candice Barham**, Aliso Viejo, CA
(US); **Corinne Barham**, Encinitas, CA
(US)

(**) Term: **14 Years**

(21) Appl. No.: **29/524,111**

(22) Filed: **Apr. 16, 2015**

(51) **LOC (10) Cl.** **06-06**

(52) **U.S. Cl.**
USPC **D6/682**

(58) **Field of Classification Search**
USPC D6/320, 323, 326, 672, 678, 678.4,
D6/680.2, 682, 682.3; D3/20; D24/128
CPC A47G 25/06; A47G 29/08; A47F 7/28
See application file for complete search history.

(56) **References Cited**

U.S. PATENT DOCUMENTS

D243,804 S *	3/1977	Underwood	D6/674
D272,783 S *	2/1984	Gelles	D6/681.3
4,905,944 A	3/1990	Jost et al.		
5,127,528 A *	7/1992	Cone	A47B 96/1425 211/163
D341,276 S *	11/1993	Jones	D6/552
D385,716 S	11/1997	Hudson et al.		
D428,278 S	7/2000	Yang		

D430,430 S *	9/2000	Malapane	D6/681.3
D450,474 S	11/2001	Sokoloff		
D489,252 S	5/2004	Cheng		
D545,080 S *	6/2007	Massaud	D6/681.3
D601,817 S *	10/2009	Barbieri	D6/327
7,624,953 B2	12/2009	Silverman et al.		
D610,370 S *	2/2010	Quan	D6/681.3
D625,120 S	10/2010	Wisniews		
D653,724 S *	2/2012	Li	D21/839
D723,311 S *	3/2015	Jiang	D14/253
D737,660 S *	9/2015	Santeler	D8/349
2002/0101047 A1	8/2002	Drury Chesser		
2009/0294604 A1	12/2009	Sunderland		
2013/0181049 A1	7/2013	Aston		
2014/0103001 A1	4/2014	Epps		

* cited by examiner

Primary Examiner — Kelley Donnelly

(74) *Attorney, Agent, or Firm* — Beacon Patent Intelligence
LLC; Eugene H. Nahm

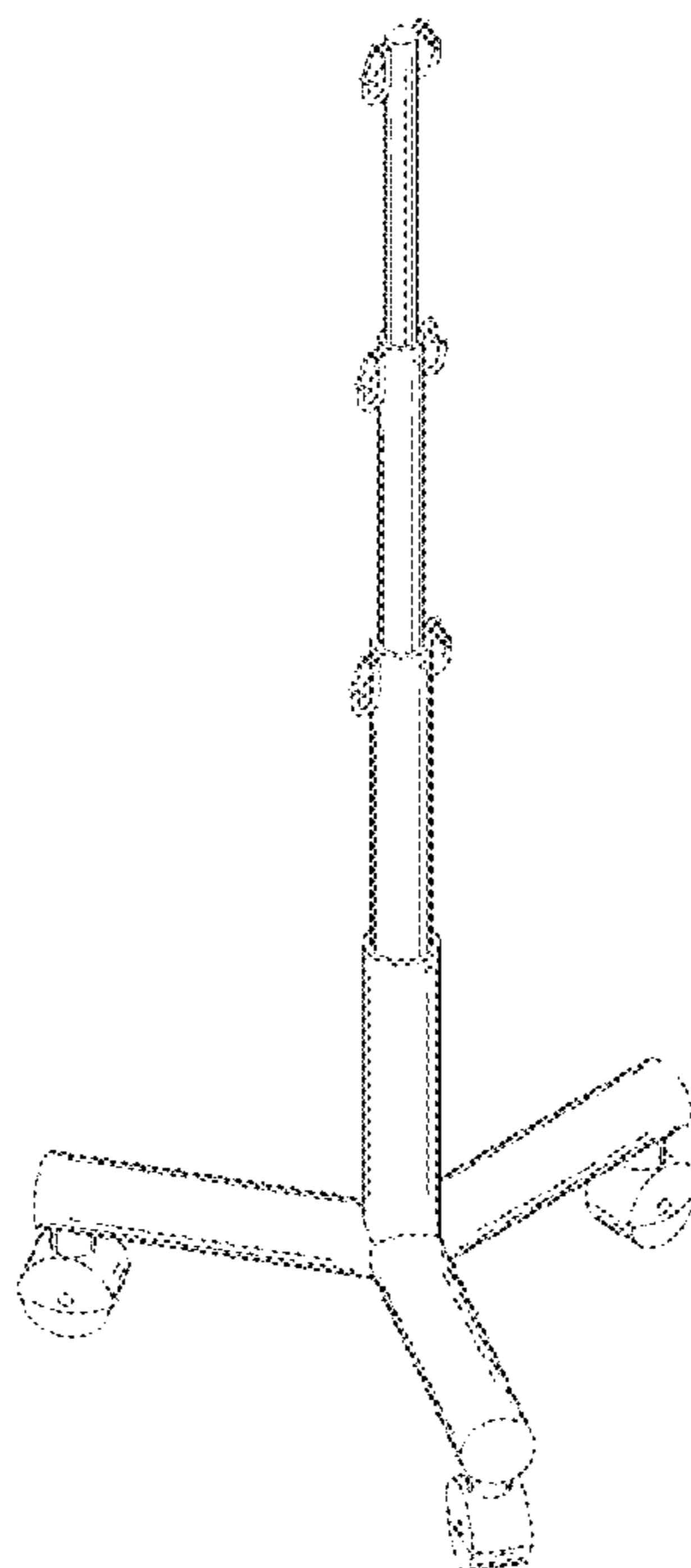
(57) **CLAIM**

The ornamental design for a baggie caddie, as shown and described.

DESCRIPTION

FIG. 1 is a front, top, and left side perspective view of the baggie caddie;
FIG. 2 is a front elevation view of the baggie caddie;
FIG. 3 is a rear elevation view of the baggie caddie;
FIG. 4 is a top plan view of the baggie caddie;
FIG. 5 is a bottom plan view of the baggie caddie;
FIG. 6 is a left side elevation view of the baggie caddie; and,
FIG. 7 is a right side elevation view of the baggie caddie.

1 Claim, 6 Drawing Sheets



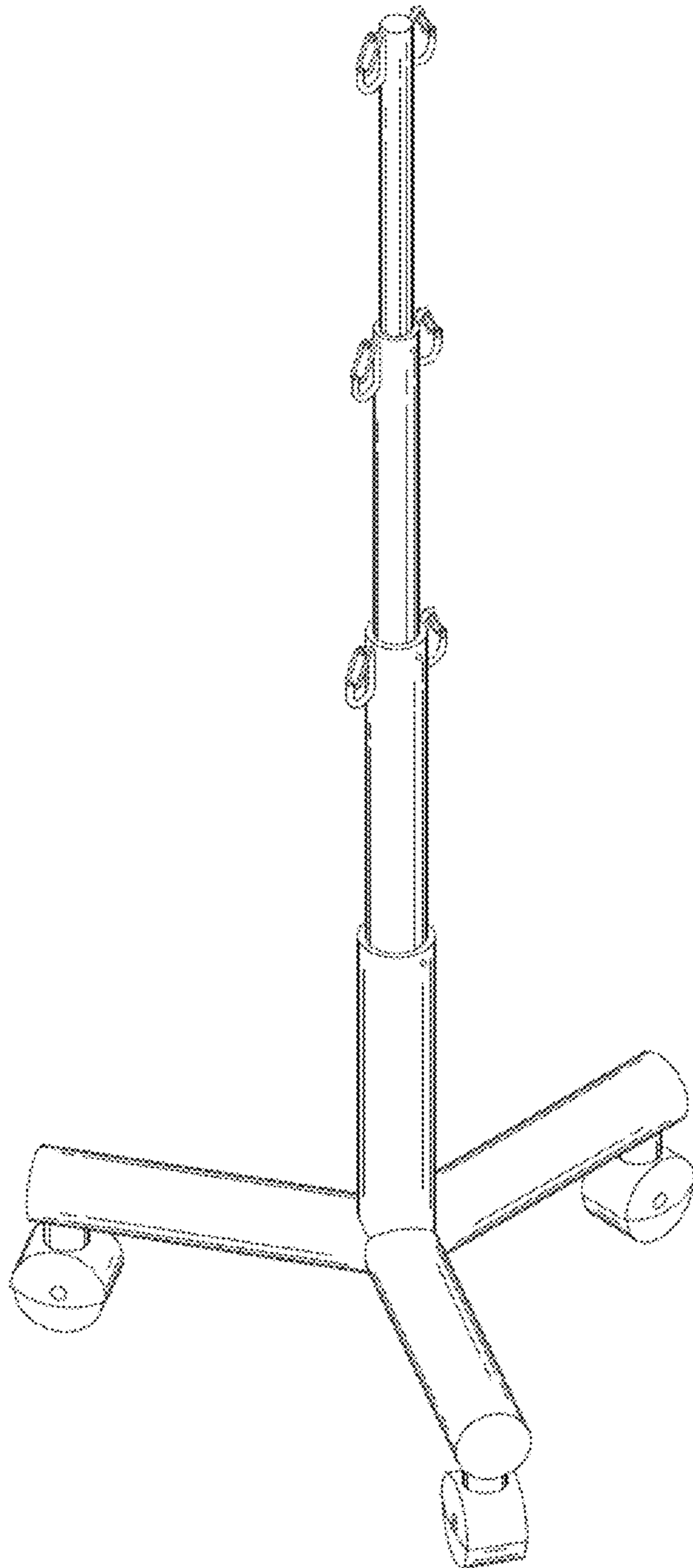


FIG. 1

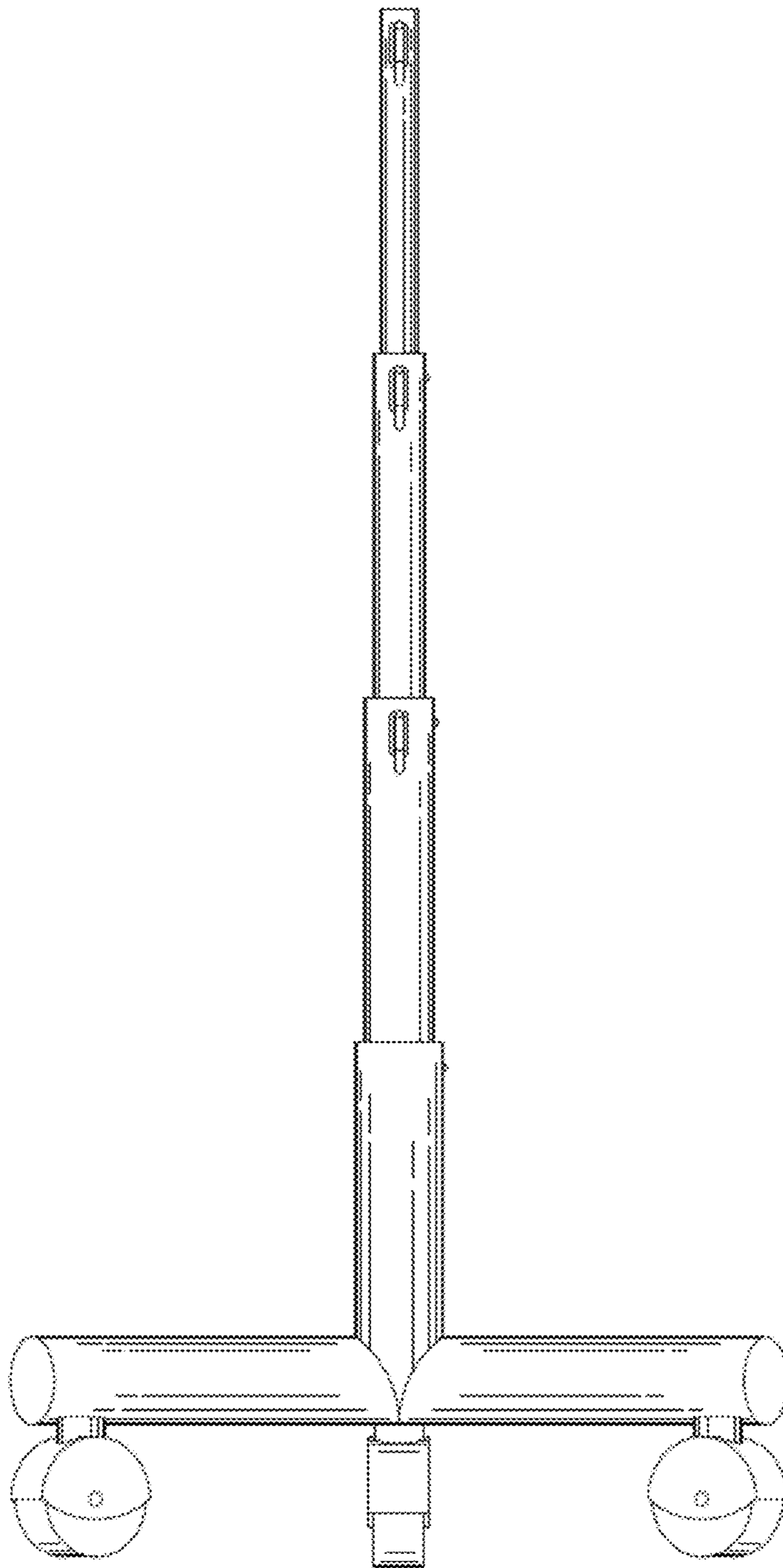


FIG. 2

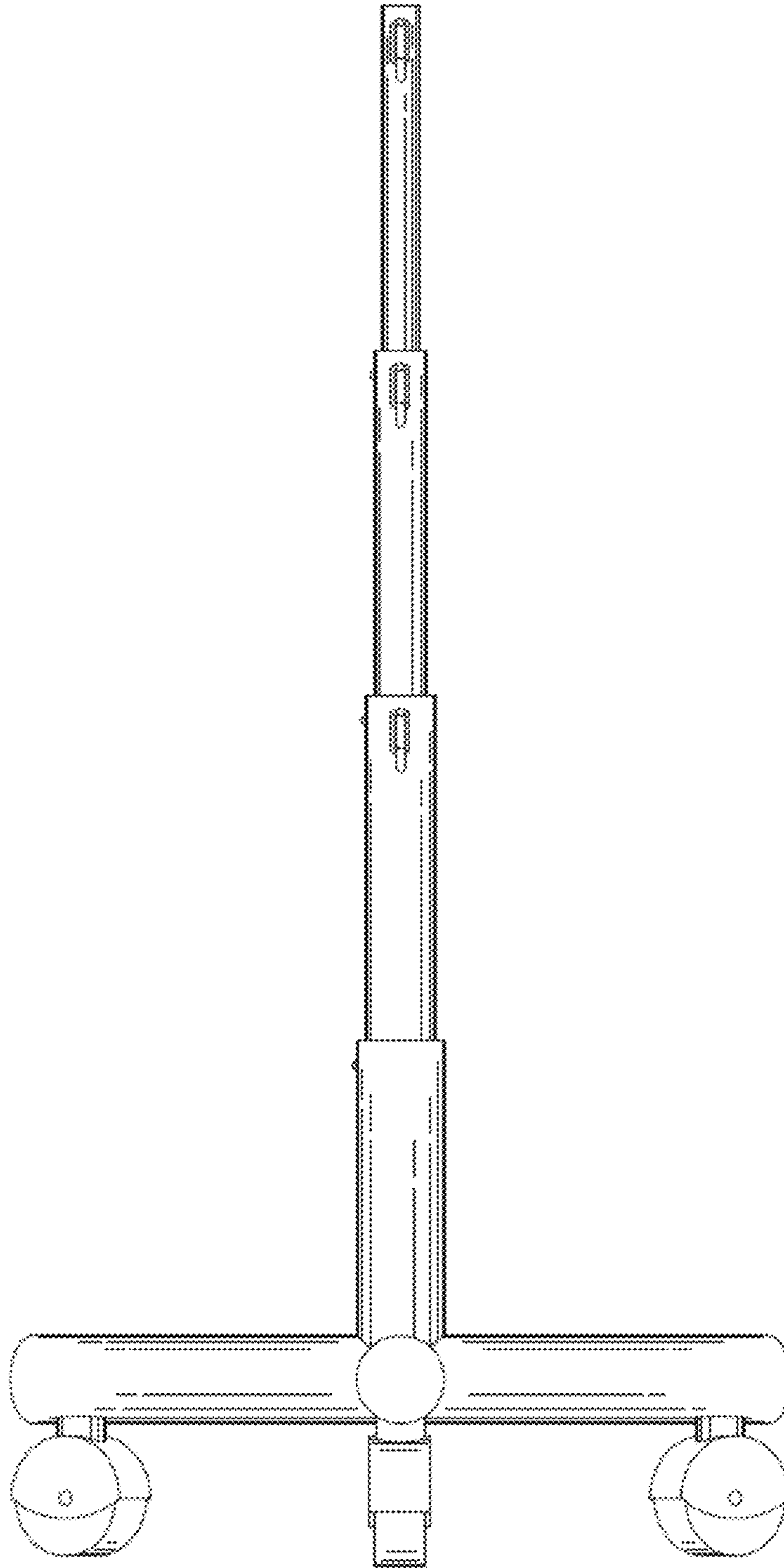


FIG. 3

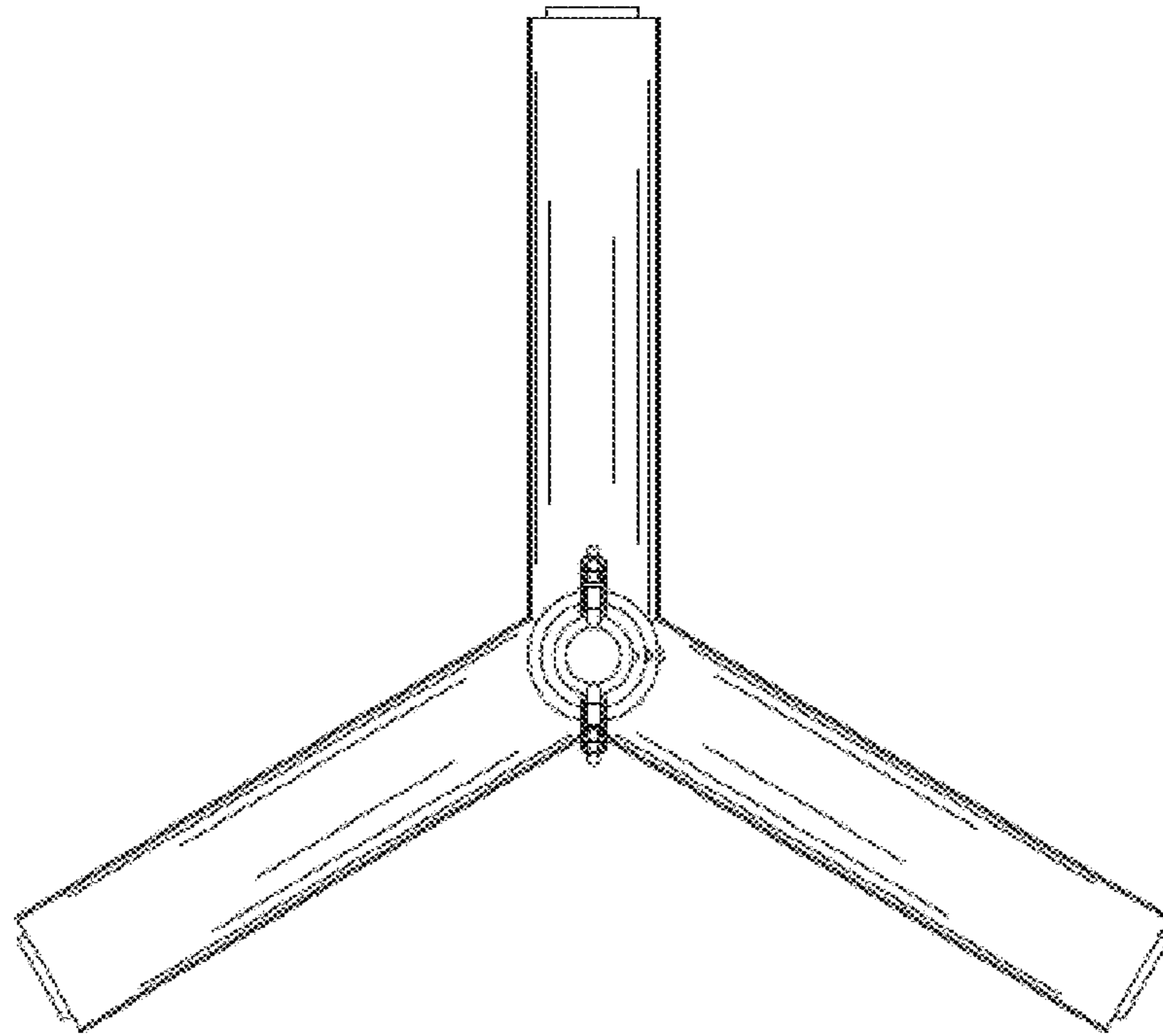


FIG. 4

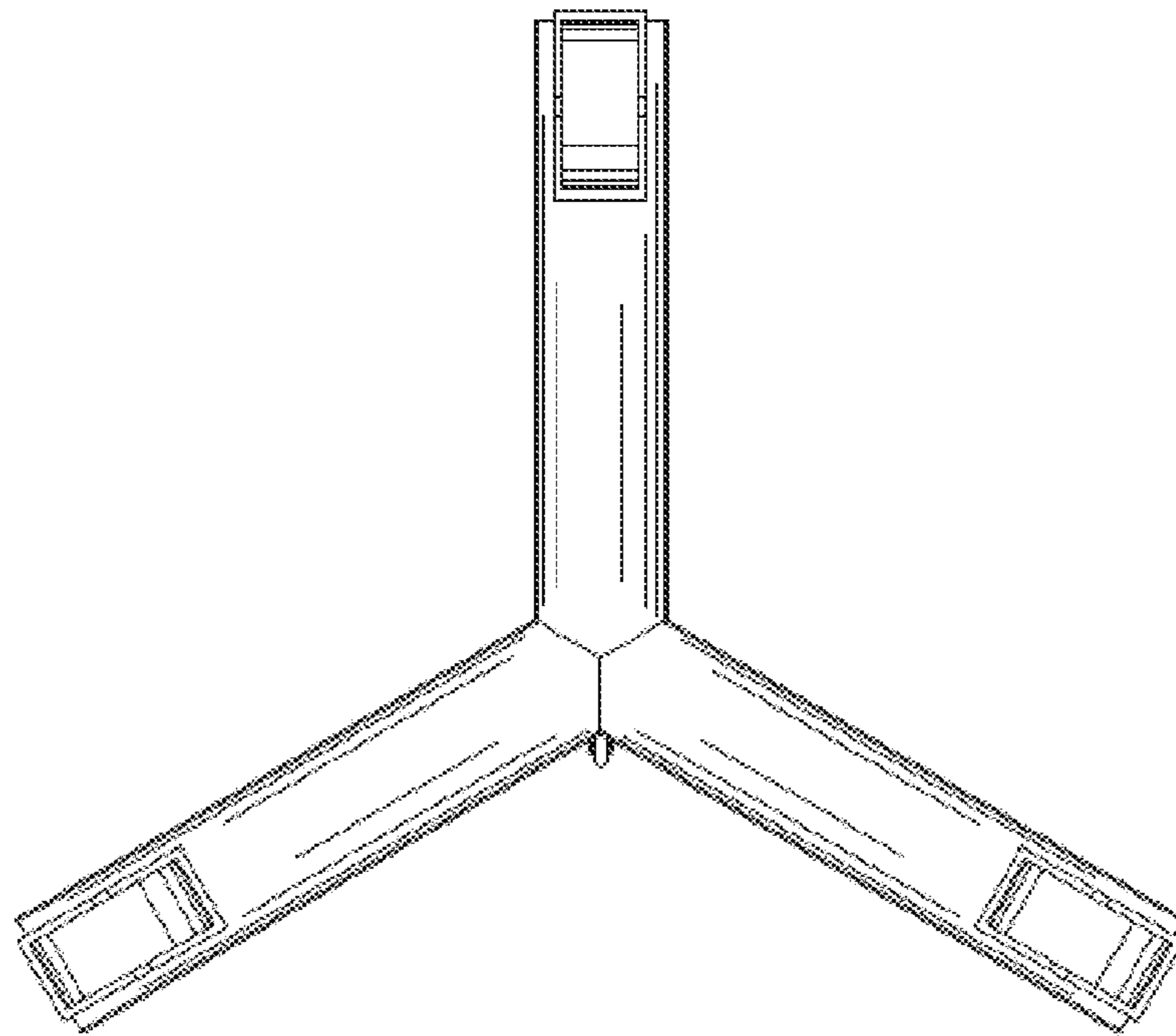


FIG. 5

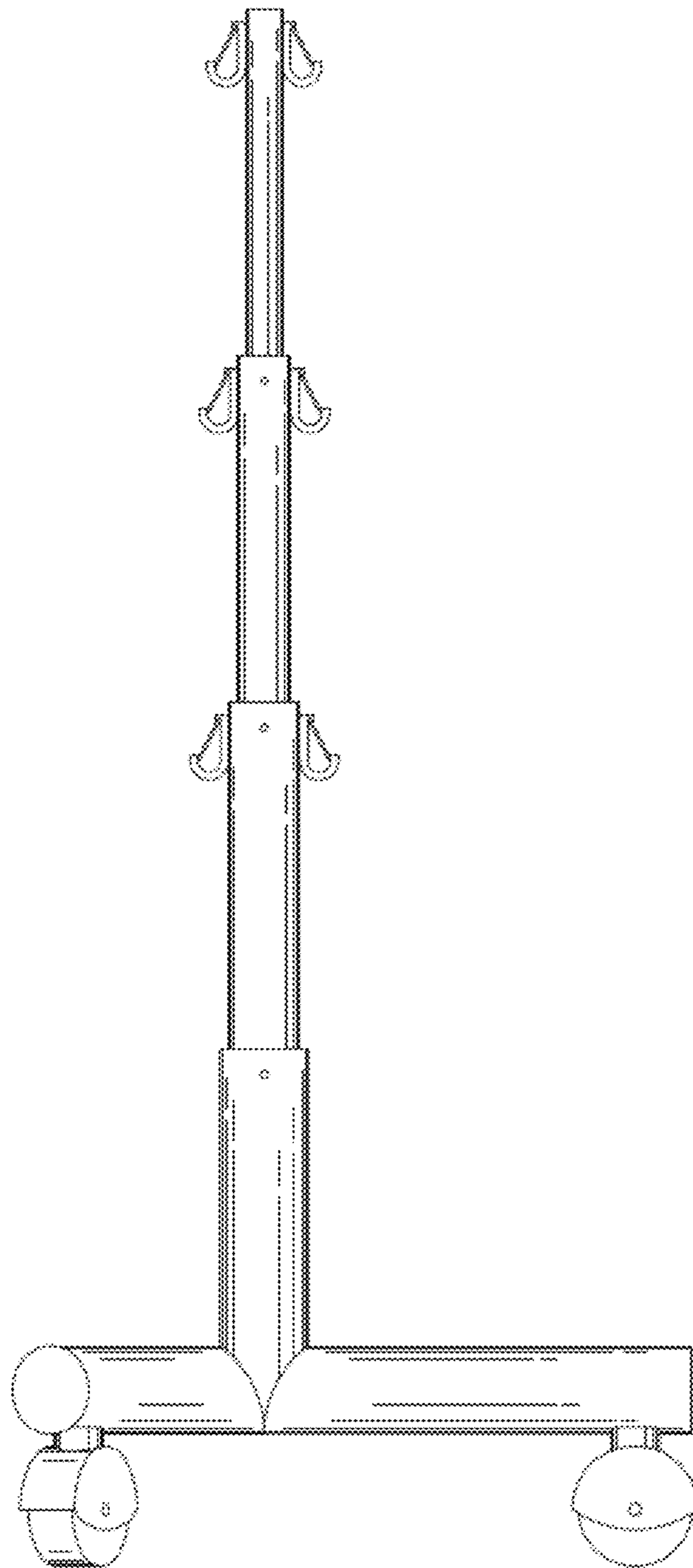


FIG. 6

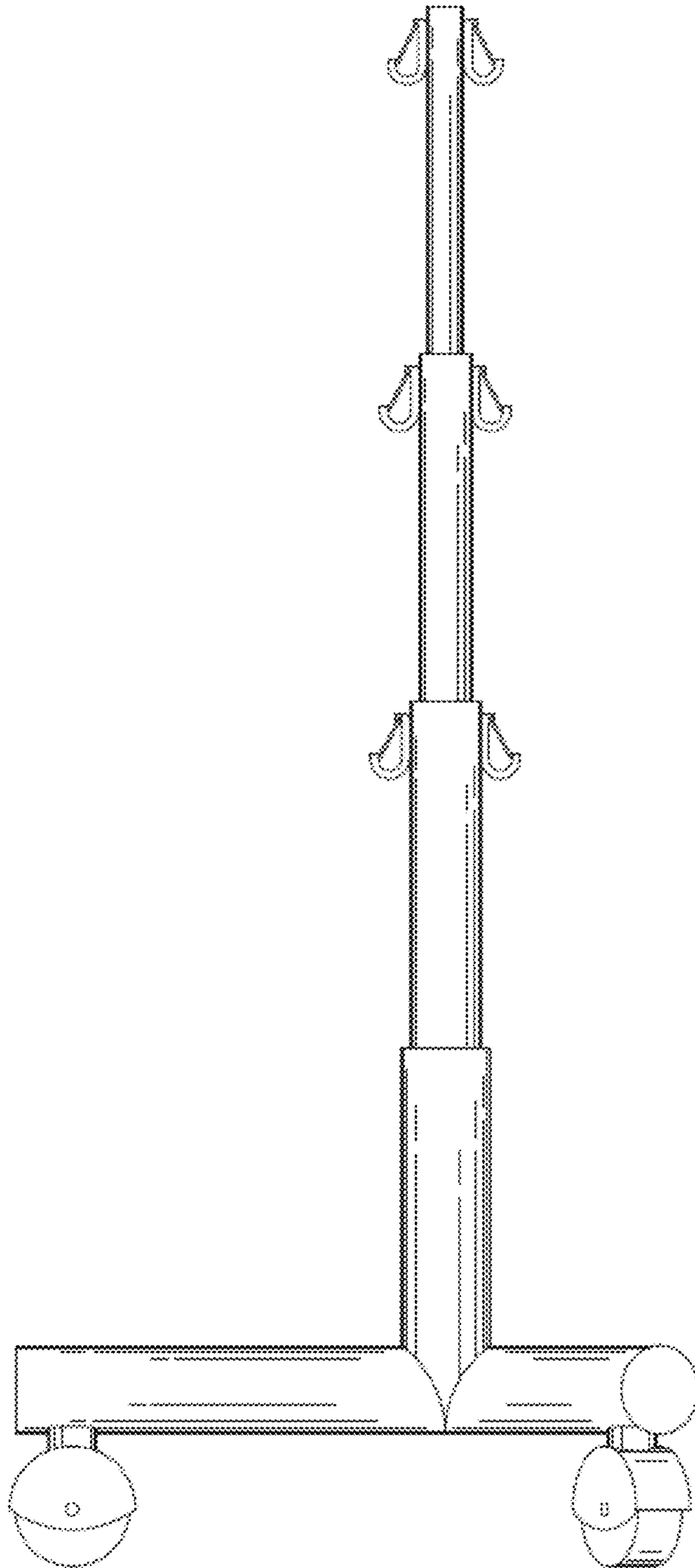


FIG. 7