



US00D765446S

(12) **United States Design Patent**
Fell

(10) **Patent No.:** **US D765,446 S**

(45) **Date of Patent:** **** Sep. 6, 2016**

- (54) **RACK FOR MOUNTING ON AN INDUSTRIAL GAS TANK**
- (71) Applicant: **Eric James Fell**, Elkhorn, WI (US)
- (72) Inventor: **Eric James Fell**, Elkhorn, WI (US)
- (**) Term: **14 Years**
- (21) Appl. No.: **29/488,173**
- (22) Filed: **Apr. 16, 2014**
- (51) **LOC (10) Cl.** **06-06**
- (52) **U.S. Cl.**
USPC **D6/675; D8/349**
- (58) **Field of Classification Search**
USPC D6/332, 342, 352, 362, 391, 400, 406.4, D6/406.5, 407, 513, 514, 519, 552, 556, D6/570, 573, 576, 630, 670, 672, 673, 674, D6/675.3, 680.2, 315-328, 512, 553, 567; D8/37, 88, 349, 355, 366, 380, 381, D8/382, 383, 14, 16, 17, 19, 20, 31, 350, D8/353, 354, 356, 359, 367, 373, 374, 394, D8/404; D12/419; 248/183, 469, 121, 200, 248/220.2, 229, 271, 300, 309.1; 108/25, 108/29, 30, 47, 152, 160; 40/606.03; 211/85.28, 166
CPC A47F 1/00; A47F 1/06; A47F 3/00; A47F 3/085; A47F 5/04; A47F 5/0018; A47F 5/0807; B65D 83/0083; B65D 83/06
See application file for complete search history.

(56) **References Cited**

U.S. PATENT DOCUMENTS

- D46,297 S * 8/1914 Smith D8/366
- D115,208 S * 6/1939 Kiss D6/556

- 2,235,986 A * 3/1941 Ellingson A47K 1/09 248/153
- D196,676 S * 10/1963 Parks D6/328
- D271,640 S * 12/1983 Gyebnar D6/556
- D280,263 S * 8/1985 Hoyer D12/419
- D295,374 S * 4/1988 Crutchlow D9/435

(Continued)

FOREIGN PATENT DOCUMENTS

- WO 9851196 A1 11/1998
- Primary Examiner* — Thomas Johannes
- Assistant Examiner* — Catherine Posthauer
- (74) *Attorney, Agent, or Firm* — James Earl Lowe, Jr.

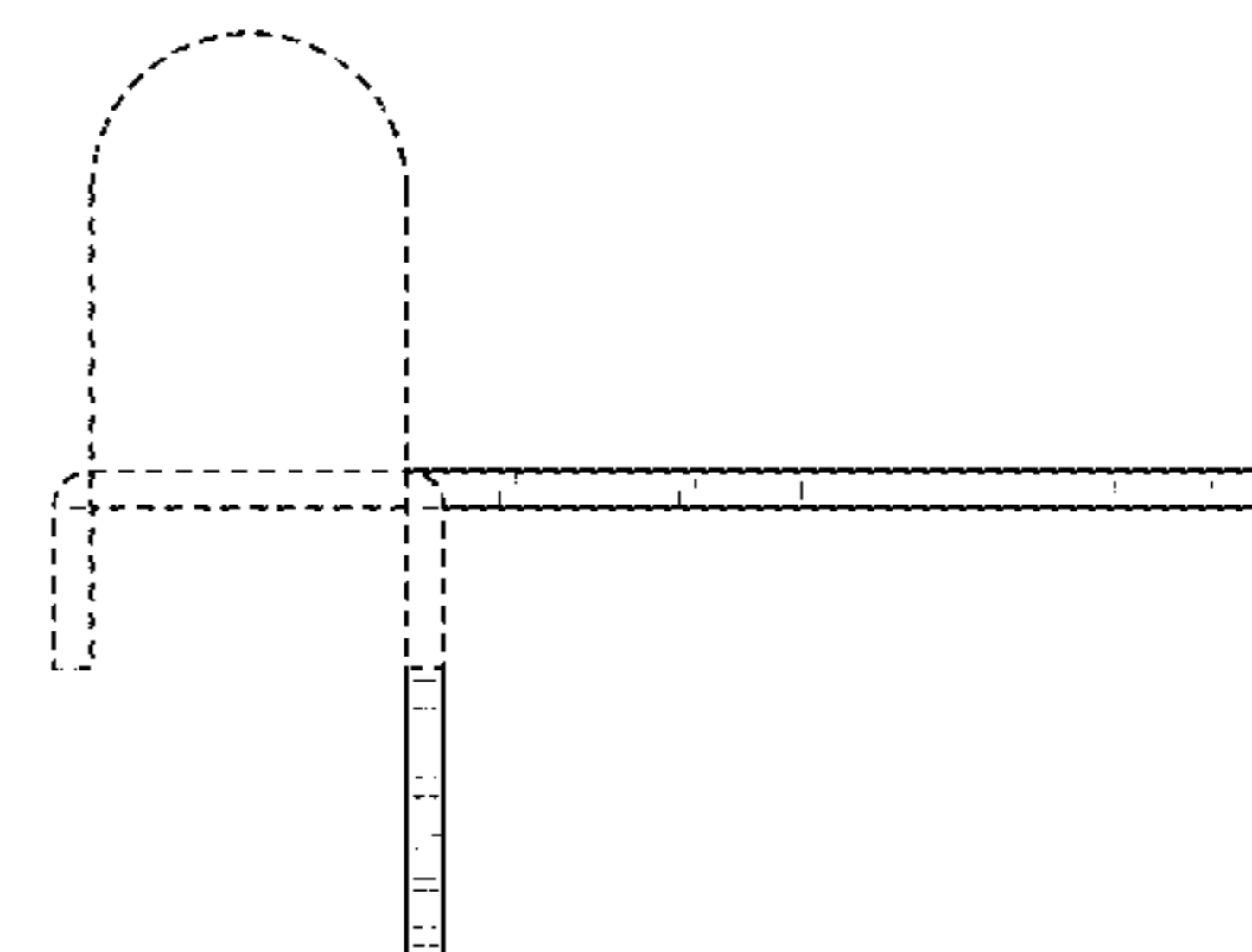
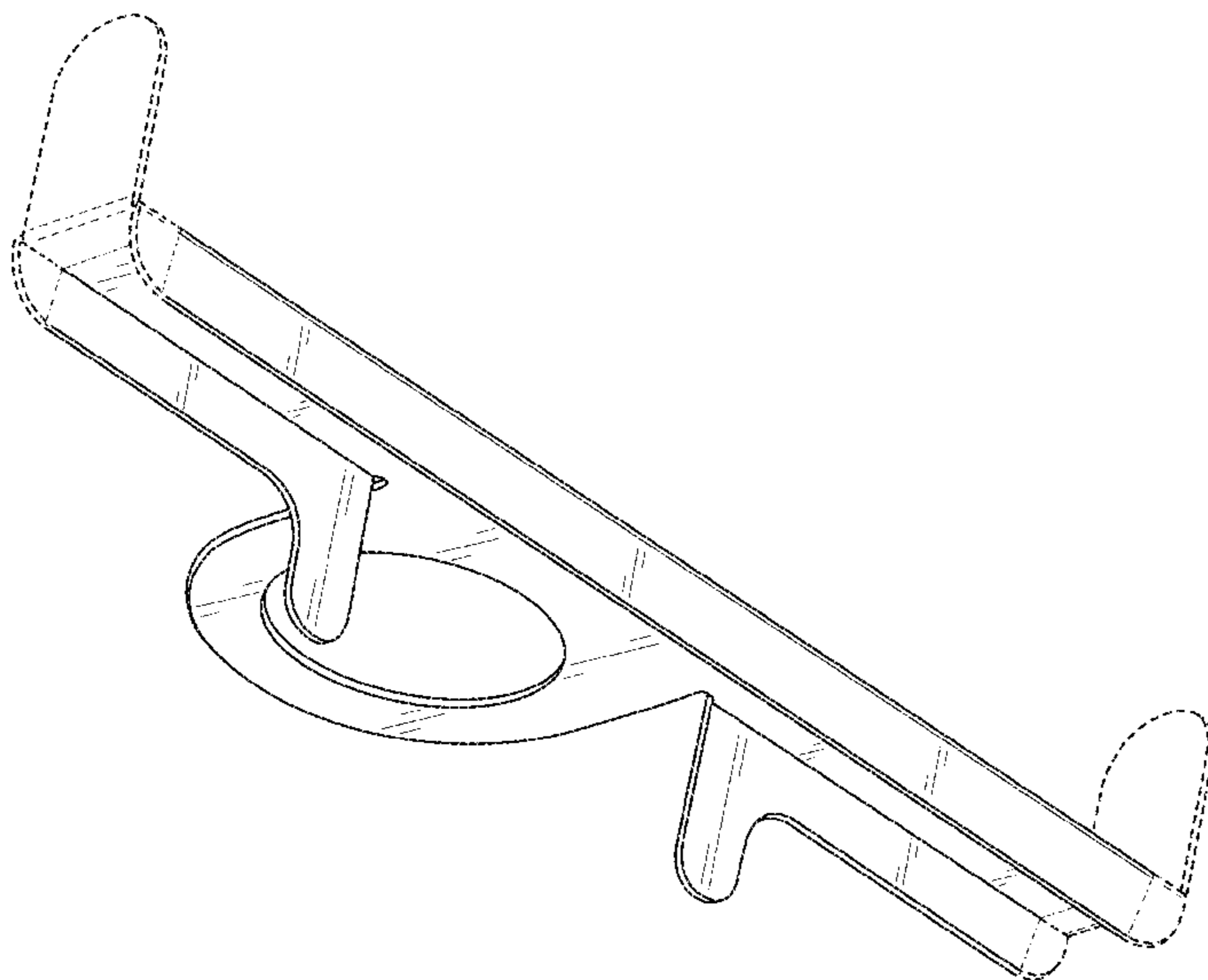
(57) **CLAIM**

The ornamental design for a rack for mounting on an industrial gas tank, as shown and described.

DESCRIPTION

FIG. 1 is a rear perspective view of a rack for mounting on an industrial gas tank showing my new design; FIG. 2 is a front elevation view thereof; FIG. 3 is a right side elevation view thereof; FIG. 4 is a top elevation view thereof; and, FIG. 5 is a bottom elevation view thereof. The broken lines are shown for the purpose of illustrating portions of the rack for mounting on an industrial gas tank that form no part of the claimed design. The dot-dash lines define the boundaries of the claim and form no part thereof.

1 Claim, 5 Drawing Sheets



(56)

References Cited

U.S. PATENT DOCUMENTS

D336,482 S * 6/1993 Graham D15/141
D343,300 S * 1/1994 Doyel D6/317
D345,099 S * 3/1994 Oakes D8/380
D495,850 S * 9/2004 Washington D8/381
D521,855 S * 5/2006 Taylor D24/110
D522,350 S * 6/2006 Taylor D24/110
D562,115 S * 2/2008 Michaud D8/364
D593,852 S * 6/2009 Hoebeek D8/394
D666,897 S * 9/2012 Church D8/373
D667,718 S * 9/2012 Preda D8/354

D682,079 S * 5/2013 Chou D8/380
D684,034 S * 6/2013 Vaughan D8/349
D686,486 S * 7/2013 Densmore D8/349
D721,553 S * 1/2015 Van Dalen D8/20
D730,718 S * 6/2015 Lin D8/349
D730,720 S * 6/2015 Nowak D8/355
D731,240 S * 6/2015 Bell D7/300.2
D739,221 S * 9/2015 Sendra-Gonzalez D8/349
2007/0164183 A1* 7/2007 Michaud H02G 3/123
248/300
2016/0083280 A1* 3/2016 Sato C03B 11/10
428/34.4

* cited by examiner

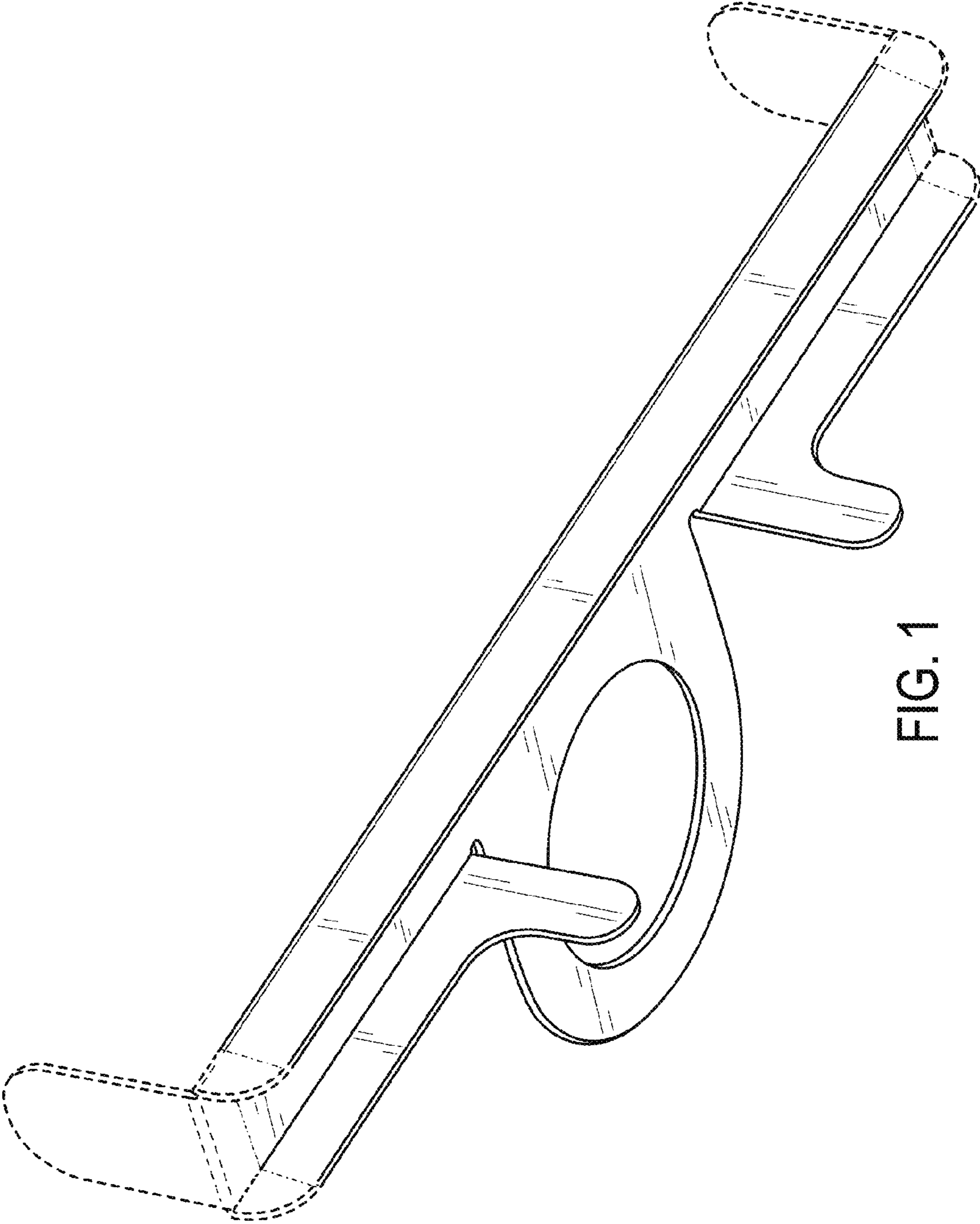


FIG. 1

REPLACEMENT SHEET

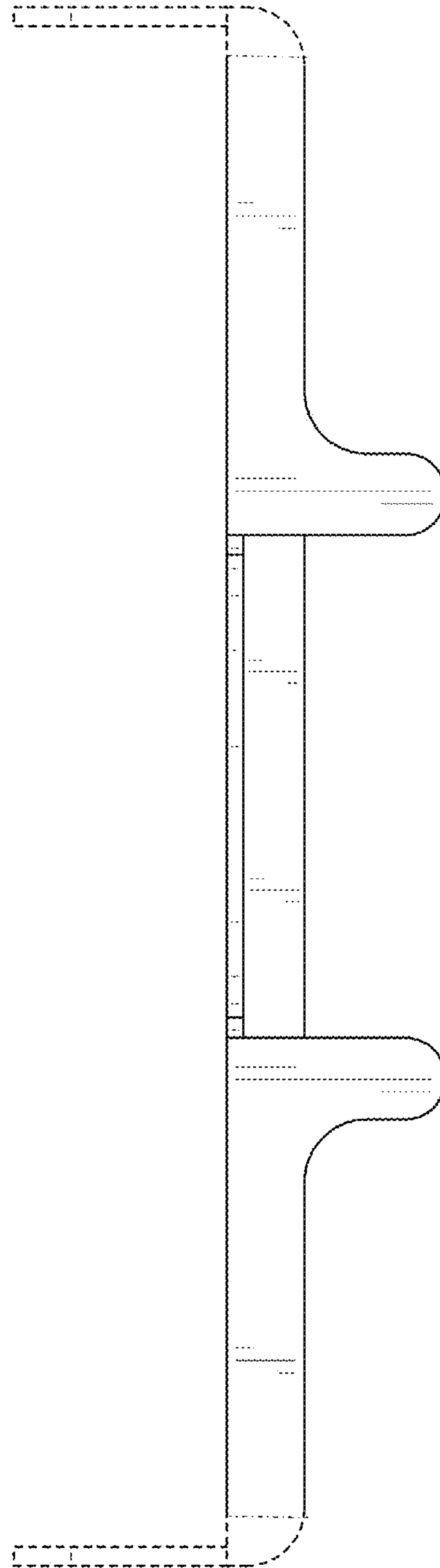


FIG. 2

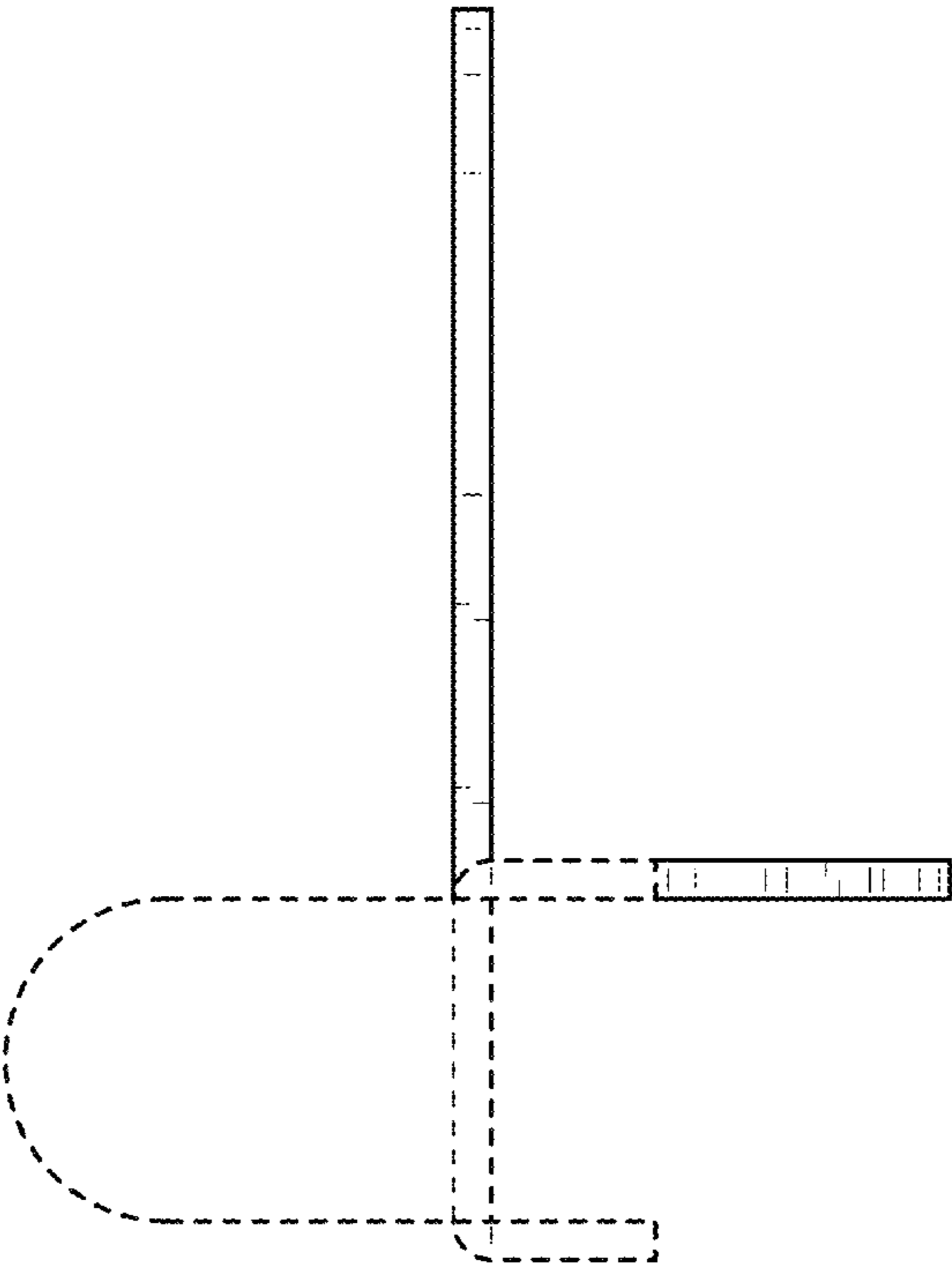


FIG. 3

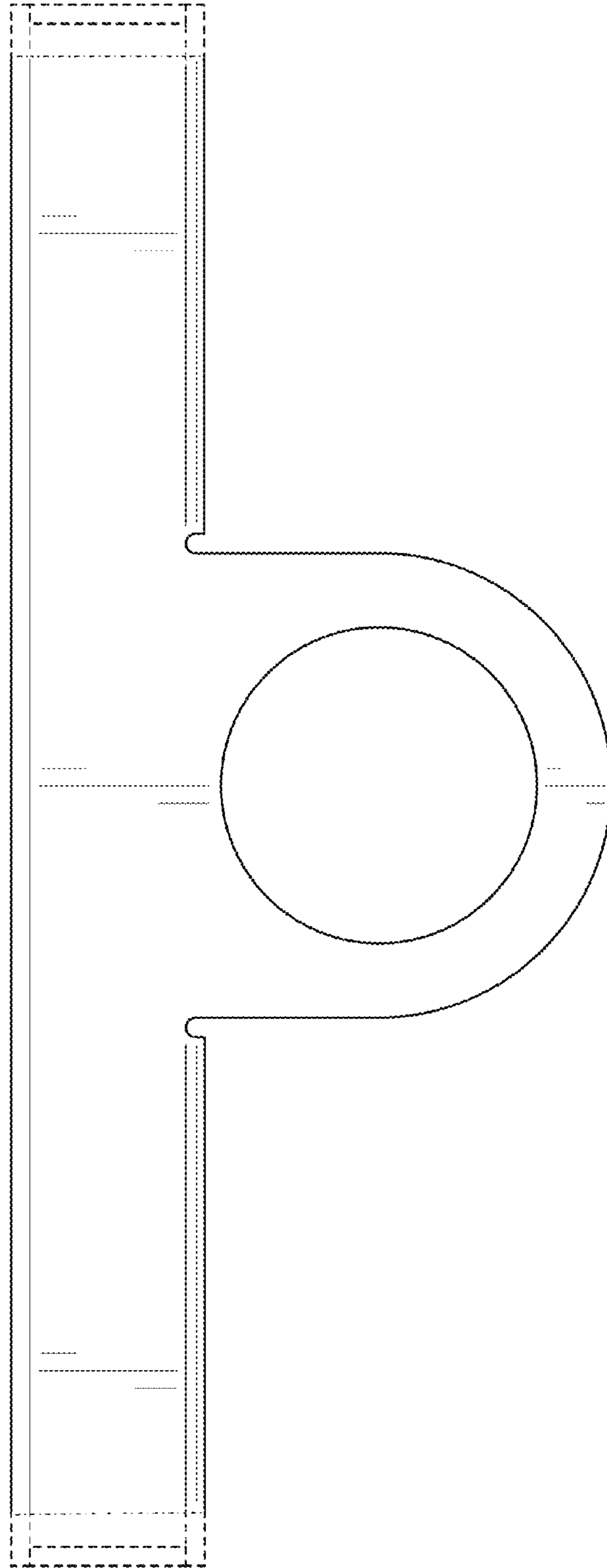


FIG. 4

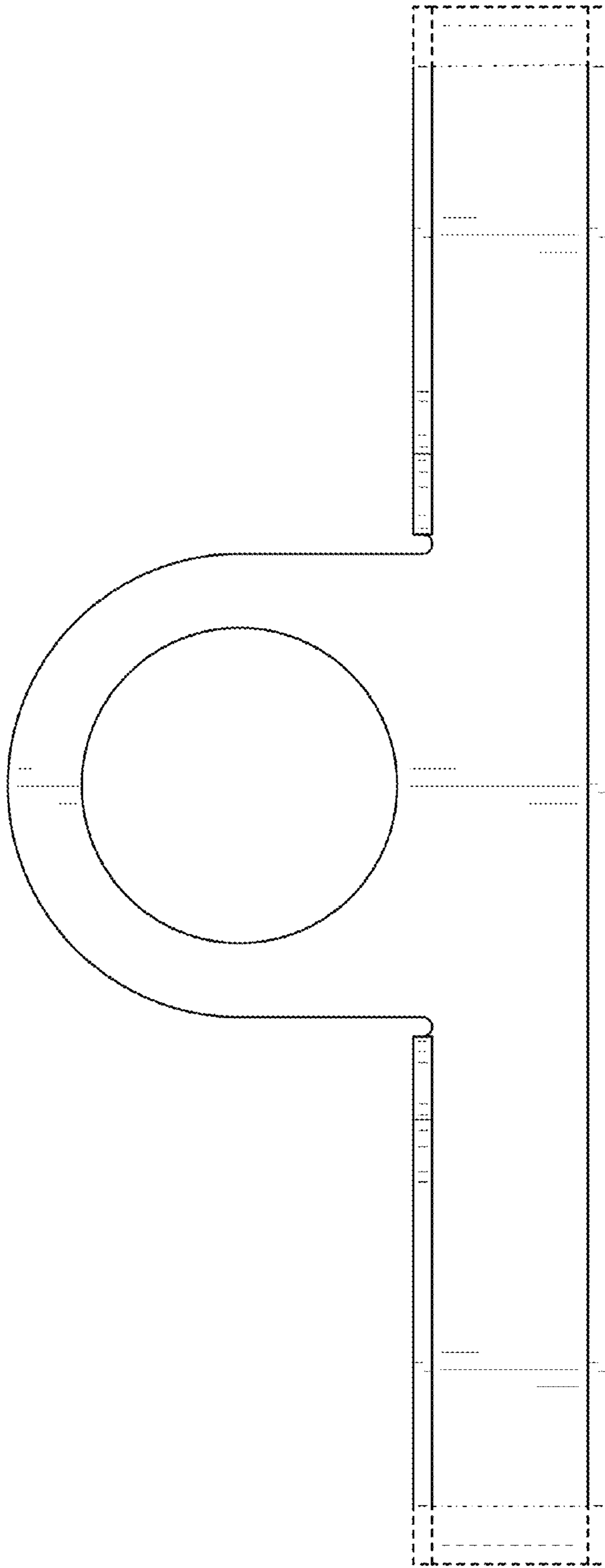


FIG. 5