



US00D765440S

(12) **United States Design Patent**
Clough et al.

(10) **Patent No.:** **US D765,440 S**
(45) **Date of Patent:** **** Sep. 6, 2016**

(54) **DISPENSING DEVICE WITH REFILL CARTRIDGE**

(71) Applicant: **Reckitt Benckiser (Brands) Limited**,
Berkshire (GB)

(72) Inventors: **Richard Brian Clough**, Warwick (GB);
Jacobus Simon Petrus Van Diepen,
Guangdong (CN)

(73) Assignee: **RECKITT BENCKISER (BRANDS) LIMITED**, Berkshire (GB)

(**) Term: **14 Years**

(21) Appl. No.: **29/514,294**

(22) Filed: **Jan. 9, 2015**

(30) **Foreign Application Priority Data**

Aug. 7, 2014 (EM) 002516112-0003

(51) **LOC (10) Cl.** **23-02**

(52) **U.S. Cl.**
USPC **D6/542**

(58) **Field of Classification Search**
USPC D6/512, 524, 542, 543, 544, 545;
D9/682, 688, 448
CPC A47G 19/24; A47G 21/12; B65D 83/267;
B65D 23/003; B67D 3/0029; A47K 1/085;
A47K 5/02; A47K 5/1202
See application file for complete search history.

(56) **References Cited**

U.S. PATENT DOCUMENTS

D477,956 S * 8/2003 Grisdale D6/545
D499,295 S * 12/2004 Grisdale D6/545
D582,187 S * 12/2008 Yang D6/542
D622,991 S * 9/2010 MacDonald D6/542
D632,111 S * 2/2011 MacDonald D6/542
D659,453 S * 5/2012 Fernandes D6/542

D660,061 S * 5/2012 Fernandes D6/542
D661,932 S * 6/2012 DelGigante D6/542
D662,740 S * 7/2012 DelGigante D6/542
D662,741 S * 7/2012 DelGigante D6/542
D662,742 S * 7/2012 DelGigante D6/542
D663,143 S * 7/2012 DelGigante D6/542
D667,665 S * 9/2012 DelGigante D6/542
D676,267 S * 2/2013 Clough D6/542
D676,697 S * 2/2013 Chopdat D6/542
D688,488 S * 8/2013 Wang D6/524
D689,299 S * 9/2013 Kassem Llano D6/524
D690,129 S * 9/2013 Clough D6/542
D690,130 S * 9/2013 Clough D6/542
D690,131 S * 9/2013 Clough D6/542
D690,530 S * 10/2013 Clough D6/542
D696,043 S * 12/2013 Chopdat D6/542

(Continued)

Primary Examiner — John Windmuller

Assistant Examiner — Steven Czyz

(74) *Attorney, Agent, or Firm* — Troutman Sanders LLP;
Ryan A. Schneider; Chris N. Davis

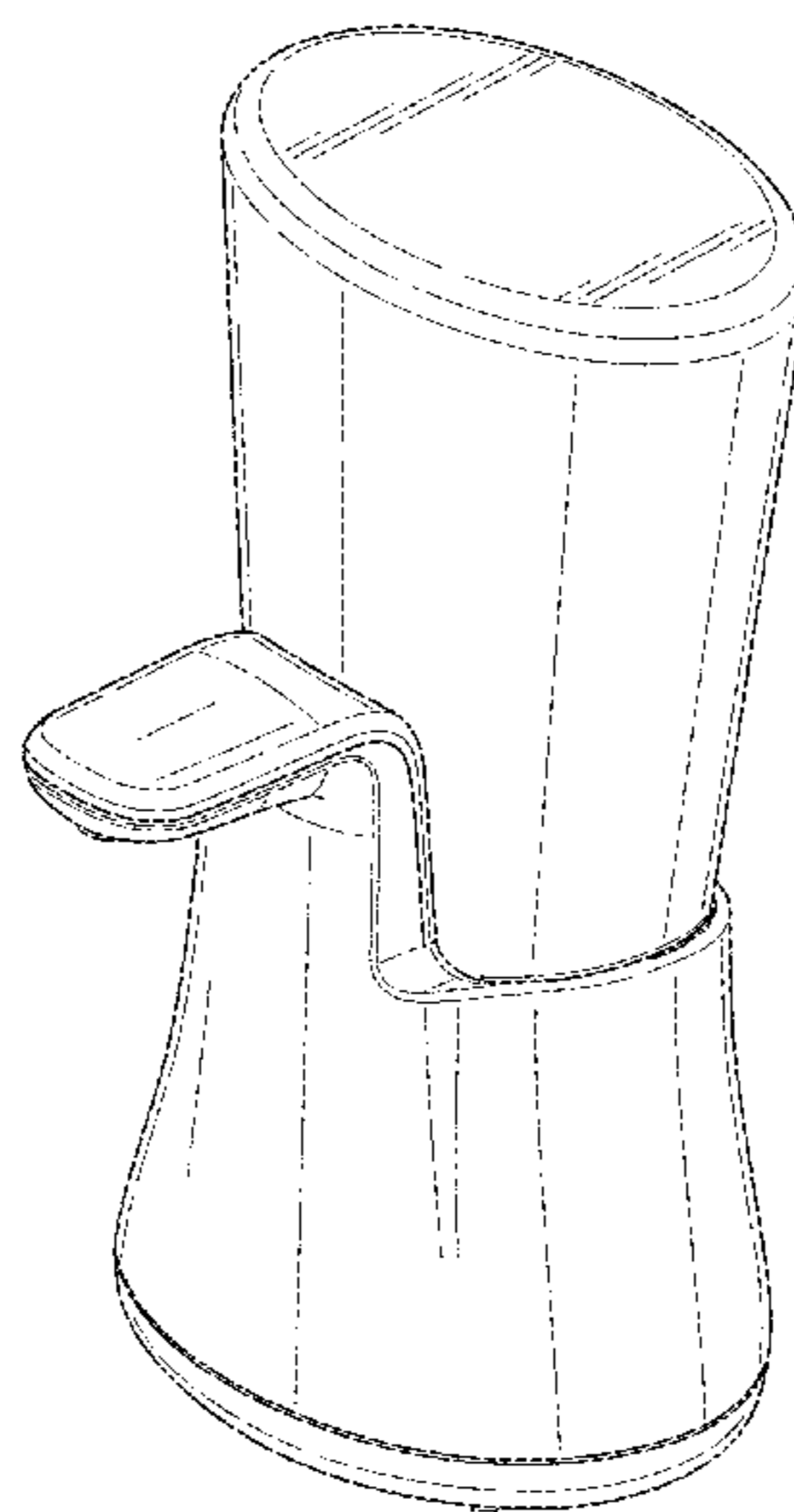
(57) **CLAIM**

The ornamental design for a dispensing device with refill cartridge, as shown and described.

DESCRIPTION

FIG. 1 is an isometric view of a dispensing device with refill cartridge of the present invention;
FIG. 2 is a front view of the dispensing device with refill cartridge of FIG. 1;
FIG. 3 is a back view of the dispensing device with refill cartridge of FIG. 1;
FIG. 4 is a side view of the dispensing device with refill cartridge of FIG. 1;
FIG. 5 is the other side view of the dispensing device with refill cartridge of FIG. 1;
FIG. 6 is a top view of the dispensing device with refill cartridge of FIG. 1; and,
FIG. 7 is a bottom view of the dispensing device with refill cartridge of FIG. 1.

1 Claim, 7 Drawing Sheets



(56)

References Cited

U.S. PATENT DOCUMENTS

D699,475 S *	2/2014	Yang	D6/542	2013/0200098 A1*	8/2013	Li	A47K 5/16 222/52
D700,451 S *	3/2014	Clough	D6/542	2013/0206789 A1*	8/2013	Van Diepen	A47K 5/1217 222/52
D706,549 S *	6/2014	Cho	D6/524	2014/0076924 A1*	3/2014	Liang	A47K 5/16 222/52
D717,066 S *	11/2014	Deacon	D6/524	2014/0197192 A1*	7/2014	Atkins	A47K 5/1217 222/23
D732,308 S *	6/2015	Enga	D6/542					
2013/0134183 A1*	5/2013	Van Diepen	A47K 5/1217 222/52					

* cited by examiner

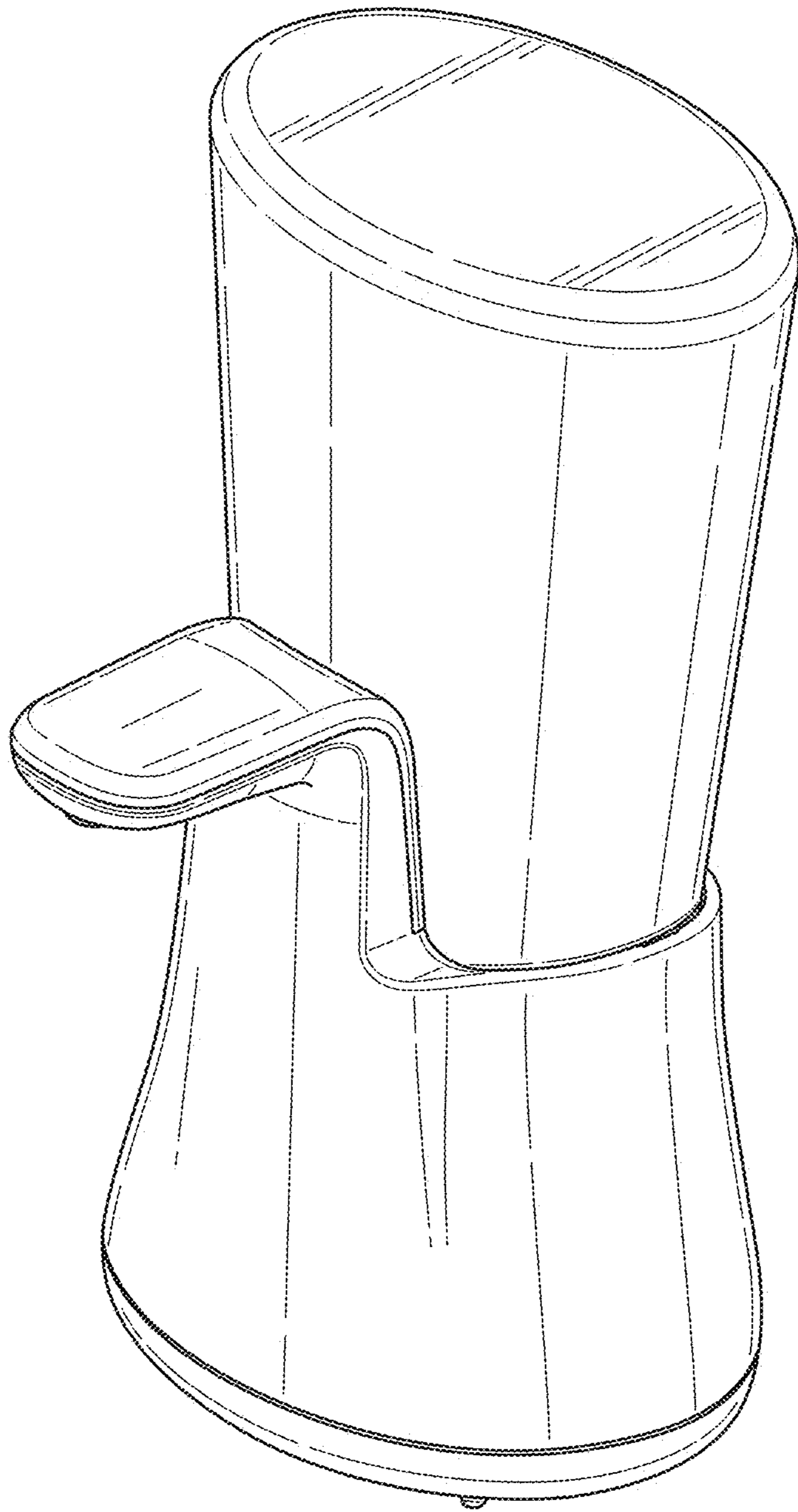


FIG. 1

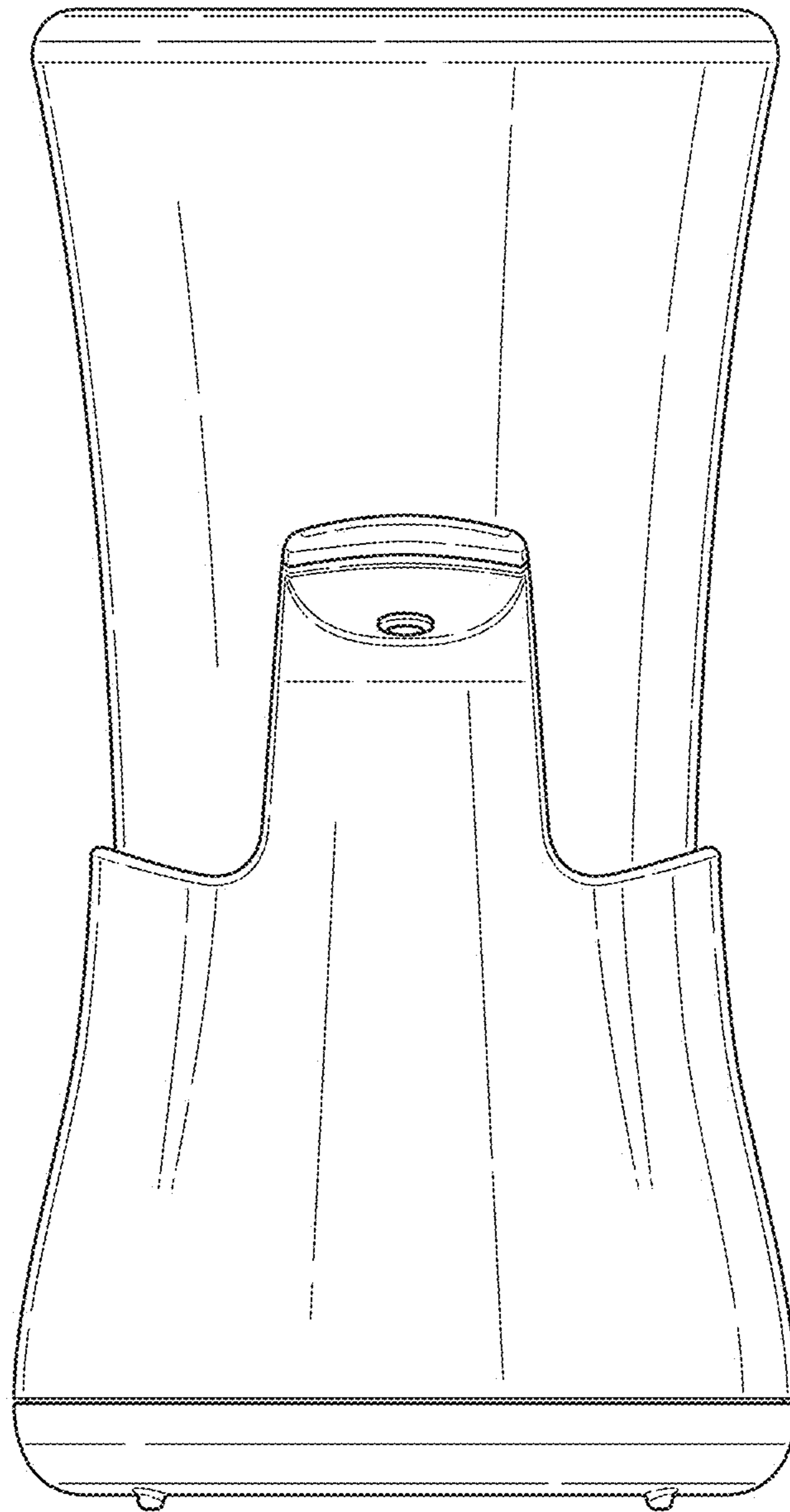


FIG. 2

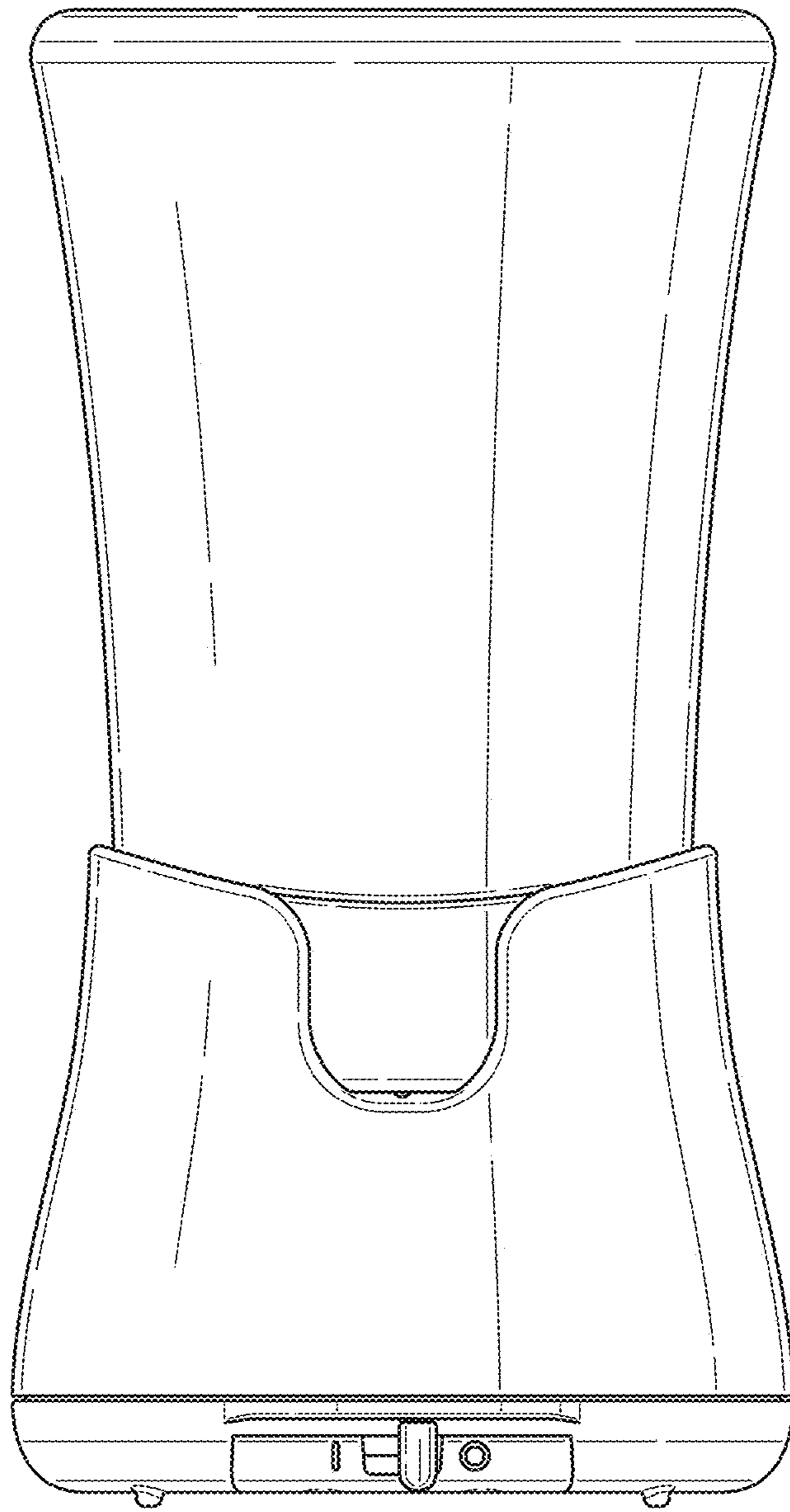


FIG. 3

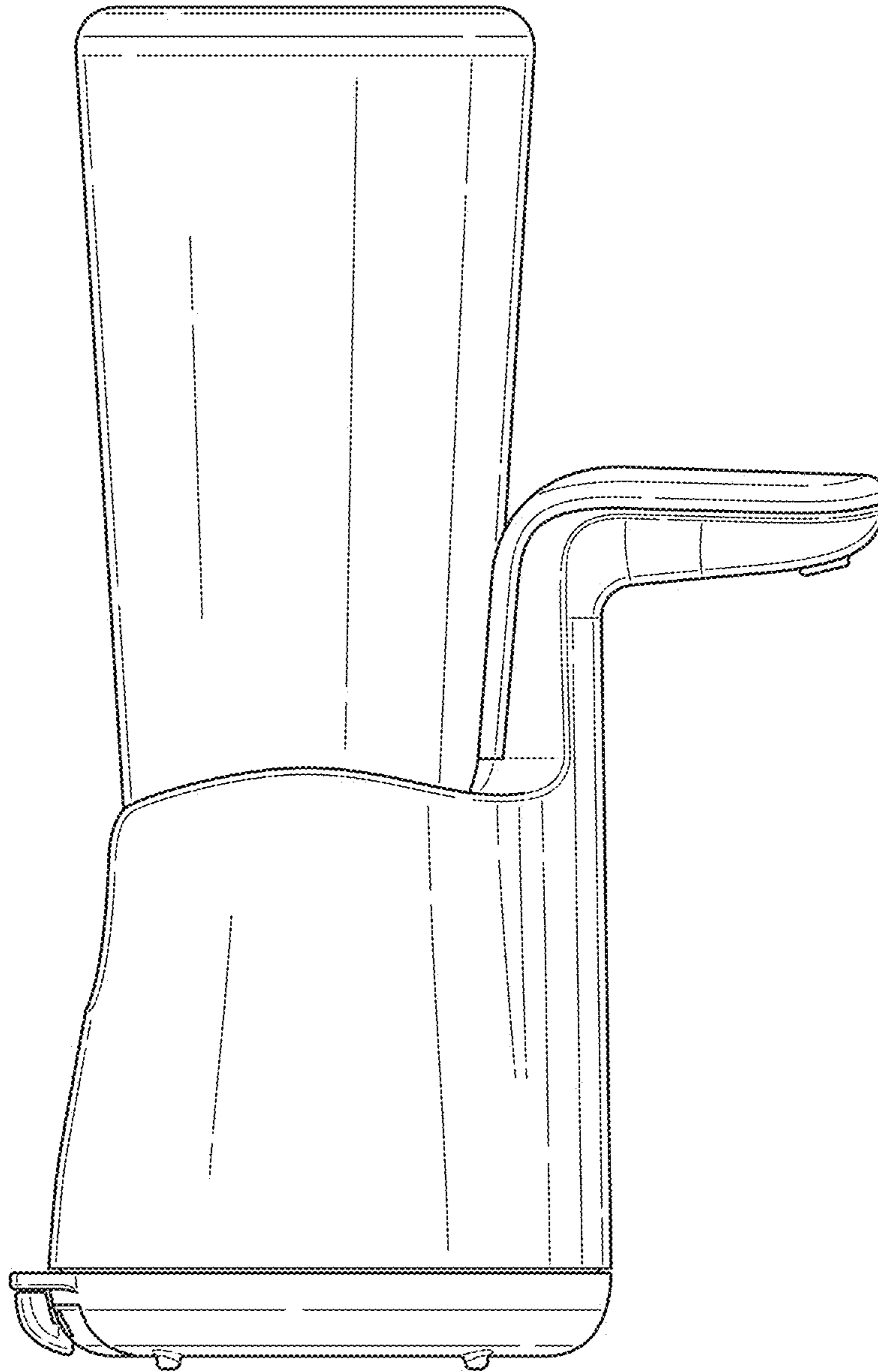


FIG. 4

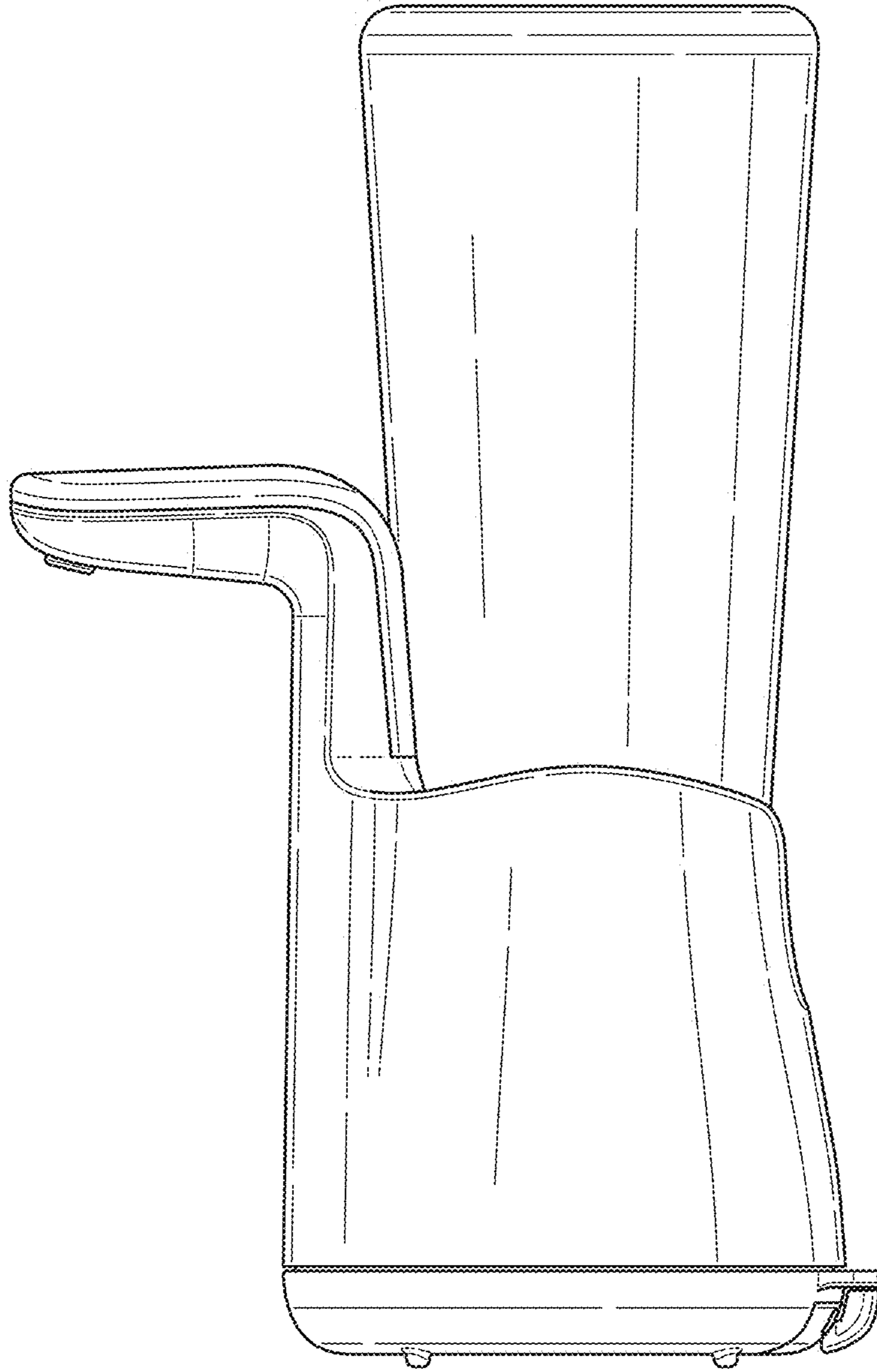


FIG. 5

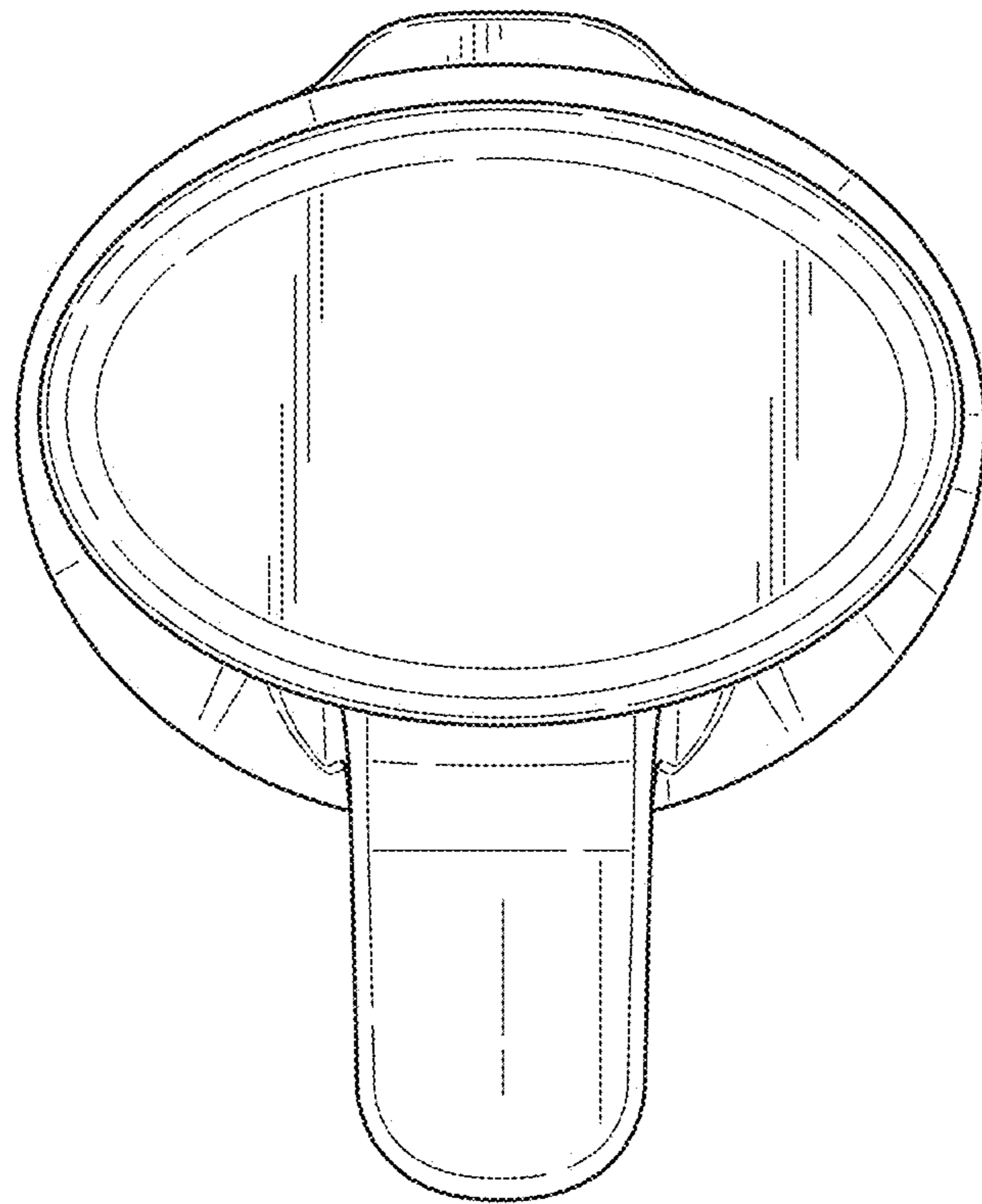


FIG. 6

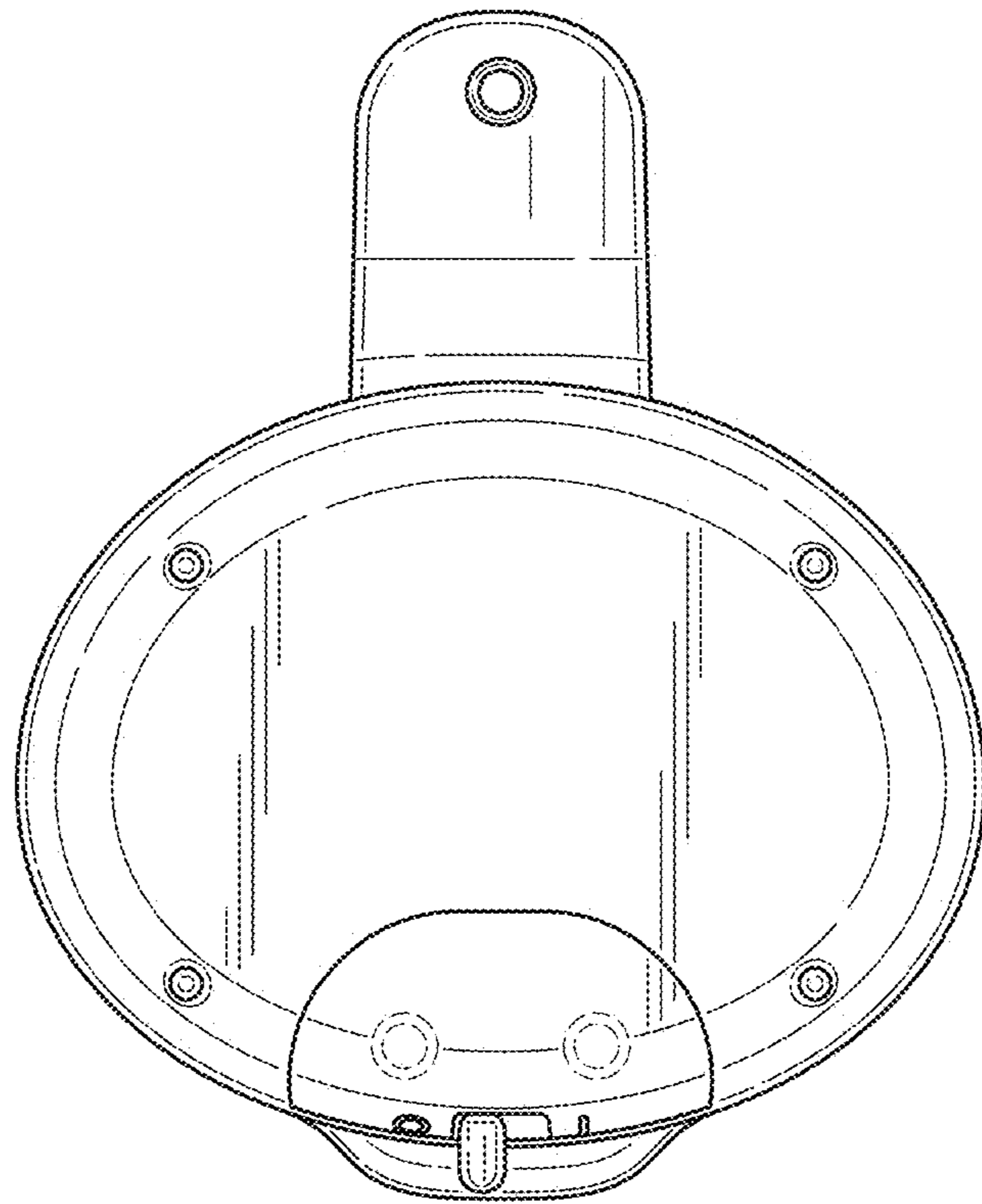


FIG. 7