



US00D765439S

(12) **United States Design Patent**
Gilbert

(10) **Patent No.:** **US D765,439 S**

(45) **Date of Patent:** **** Sep. 6, 2016**

(54) **ACCESSORY POST AND END CAP**

(71) Applicant: **Moen Incorporated**, North Olmsted,
OH (US)

(72) Inventor: **Christopher Jon Gilbert**, Moreland
Hills, OH (US)

(73) Assignee: **Moen Incorporated**, North Olmsted,
OH (US)

(**) Term: **14 Years**

(21) Appl. No.: **29/510,601**

(22) Filed: **Dec. 1, 2014**

(51) **LOC (10) Cl.** **23-02**

(52) **U.S. Cl.**
USPC **D6/524; D6/550**

(58) **Field of Classification Search**
USPC D6/524, 528-531, 534, 550, 518-523,
D6/546-549; D8/300, 370, 315;
108/28-29; 211/13.1, 16, 85.5, 86.01,
211/87.01, 88.04, 100, 105.1, 105.2, 106,
211/113, 123, 181.1, 182-183; 248/49,
248/175, 176.1, 200, 201, 205.1, 251, 302,
248/309.1, 315; 242/570, 590, 595-598
CPC A47K 5/02; A47K 10/10
See application file for complete search history.

(56) **References Cited**

U.S. PATENT DOCUMENTS

1,177,232 A	3/1916	Chisholm
D55,354 S	6/1920	Baker
D318,717 S	7/1991	Spangler
D332,824 S	1/1993	Robbins
D357,379 S	4/1995	Lehn et al.
D357,838 S	5/1995	Lehn et al.
D360,792 S	8/1995	Sharpe
D361,006 S	8/1995	Sharpe
D361,671 S	8/1995	Sharpe
D362,361 S	9/1995	Lehn et al.

D371,826 S	7/1996	Robbins
D377,570 S	1/1997	Sharpe
D390,397 S	2/1998	Chen
D392,138 S	3/1998	Wu
D392,139 S	3/1998	Wu
D394,574 S	5/1998	Moore
D394,971 S	6/1998	Moore
5,875,903 A	3/1999	Chen
D408,669 S	4/1999	Kuo
D417,994 S	12/1999	Roth et al.
D424,352 S	5/2000	Roth et al.
D426,095 S	6/2000	Chen
D427,471 S	7/2000	Chen
D431,948 S	10/2000	Chen

(Continued)

Primary Examiner — Wan Laymon

Assistant Examiner — Mark Booker

(74) *Attorney, Agent, or Firm* — Calfee, Halter & Griswold
LLP

(57) **CLAIM**

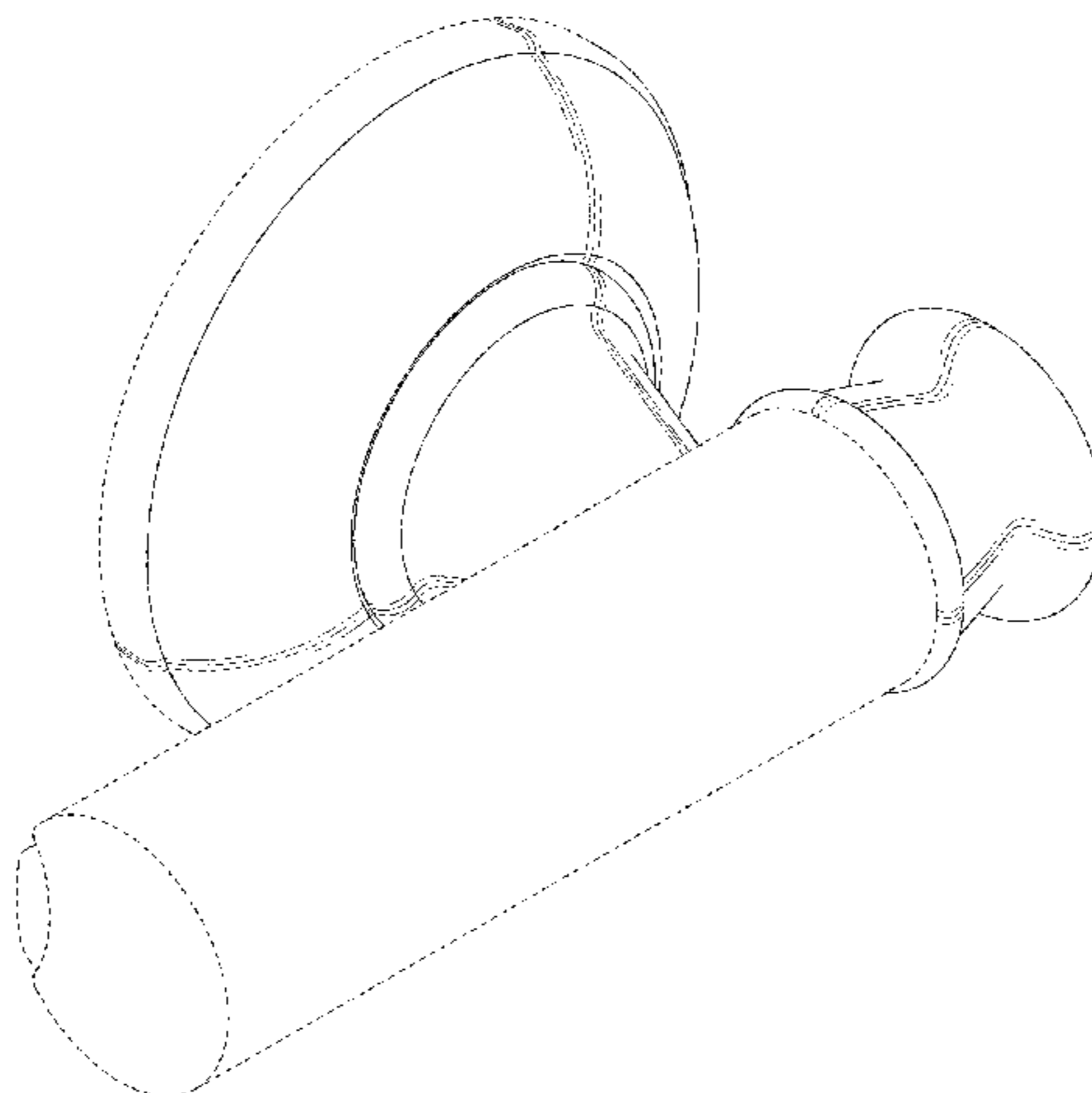
The ornamental design for an accessory post and end cap, as shown and described.

DESCRIPTION

FIG. 1 is a perspective view of an accessory post and end cap of the new design;
FIG. 2 is a front elevational view of the accessory post and end cap of FIG. 1;
FIG. 3 is a rear elevational view of the accessory post and end cap of FIG. 1;
FIG. 4 is a left side elevational view of the accessory post and end cap of FIG. 1;
FIG. 5 is a right side elevational view of the accessory post and end cap of FIG. 1; and,
FIG. 6 is a top plan view of the accessory post and end cap of FIG. 1, the bottom plan view being a mirror image thereof.

The portions of the Figures shown in broken lines are not part of the claimed design and are for illustration only.

1 Claim, 4 Drawing Sheets



(56)

References Cited

U.S. PATENT DOCUMENTS

D433,108 S	10/2000	Spangler	D498,100 S	11/2004	Wu
D436,477 S	1/2001	Ming-Hsiao	D498,381 S	11/2004	Graves et al.
D436,775 S	1/2001	Ming-Hsiao	D498,625 S	11/2004	Chang
D439,955 S	4/2001	Spangler	D498,960 S	11/2004	Fahy et al.
D449,948 S	11/2001	Lai	D499,289 S	12/2004	Chang
D449,950 S	11/2001	Lai	D500,602 S	1/2005	Solowiej
D451,687 S	12/2001	Sun et al.	D501,747 S	2/2005	Wu
D452,100 S	12/2001	Gilbert	D501,748 S	2/2005	Wu
D452,792 S	1/2002	Gilbert et al.	D504,042 S	4/2005	Wu
D454,744 S	3/2002	Ou-Young	D504,309 S *	4/2005	Fuchs D6/523
D455,588 S	4/2002	Ou-Young	D510,495 S	10/2005	Gilbert
D461,672 S	8/2002	Zhao	D512,860 S	12/2005	Ferrer Beltran
D463,187 S	9/2002	Gilbert	D514,203 S	1/2006	Kulig
D463,935 S	10/2002	Zhao	D516,349 S	3/2006	Ferrer Beltran
D465,955 S	11/2002	Yen	D516,850 S	3/2006	Shieh
D465,956 S	11/2002	Ouyoung	D517,360 S	3/2006	Chen
D466,347 S	12/2002	Chen	D518,987 S	4/2006	Lau et al.
D466,348 S	12/2002	Yen	D520,282 S	5/2006	Hoernig
D466,350 S	12/2002	Tai	D520,792 S	5/2006	Wu
D466,745 S *	12/2002	Chou D6/550	D529,323 S	10/2006	Gilbert
D466,747 S	12/2002	Yegyayan	D531,276 S	10/2006	Tsai
D469,292 S	1/2003	Chen et al.	D537,668 S	3/2007	Murray
D469,644 S	2/2003	Yen	D540,087 S	4/2007	Barry
D473,741 S	4/2003	Gilbert	D540,590 S	4/2007	Solowiej
D474,929 S	5/2003	Lai	D543,710 S	6/2007	Krumpe et al.
D474,932 S	5/2003	Lai	D552,961 S	10/2007	Roberts
D474,957 S	5/2003	Singtoroj et al.	D554,406 S	11/2007	Sedwick
D476,836 S	7/2003	Lai	D557,049 S *	12/2007	Sedwick D6/524
D477,168 S	7/2003	Greenspoon	D562,607 S	2/2008	Chen
D477,482 S	7/2003	Green	D563,707 S	3/2008	Lee
D477,486 S	7/2003	Green	D569,146 S	5/2008	Gilbert
D477,735 S	7/2003	Solowiej	D569,147 S *	5/2008	Gilbert D6/524
D477,740 S	7/2003	Gilbert	D573,385 S	7/2008	Guo et al.
D477,944 S *	8/2003	Cummings D6/524	D600,961 S	9/2009	Krumpe
D477,945 S	8/2003	Solowiej	D604,542 S	11/2009	Kuo
D478,438 S	8/2003	Solowiej	D635,381 S *	4/2011	Kim D6/524
D478,446 S	8/2003	Solowiej	D655,547 S *	3/2012	Domanski D6/524
D483,585 S	12/2003	Chen	D656,349 S *	3/2012	Sedwick D6/524
D493,054 S	7/2004	Roberts, III et al.	D658,745 S	5/2012	Obara et al.
D497,751 S	11/2004	Roberts, III et al.	D658,746 S	5/2012	Obara et al.
			D699,970 S *	2/2014	Sedwick D6/524
			2002/0104946 A1	8/2002	Lai

* cited by examiner

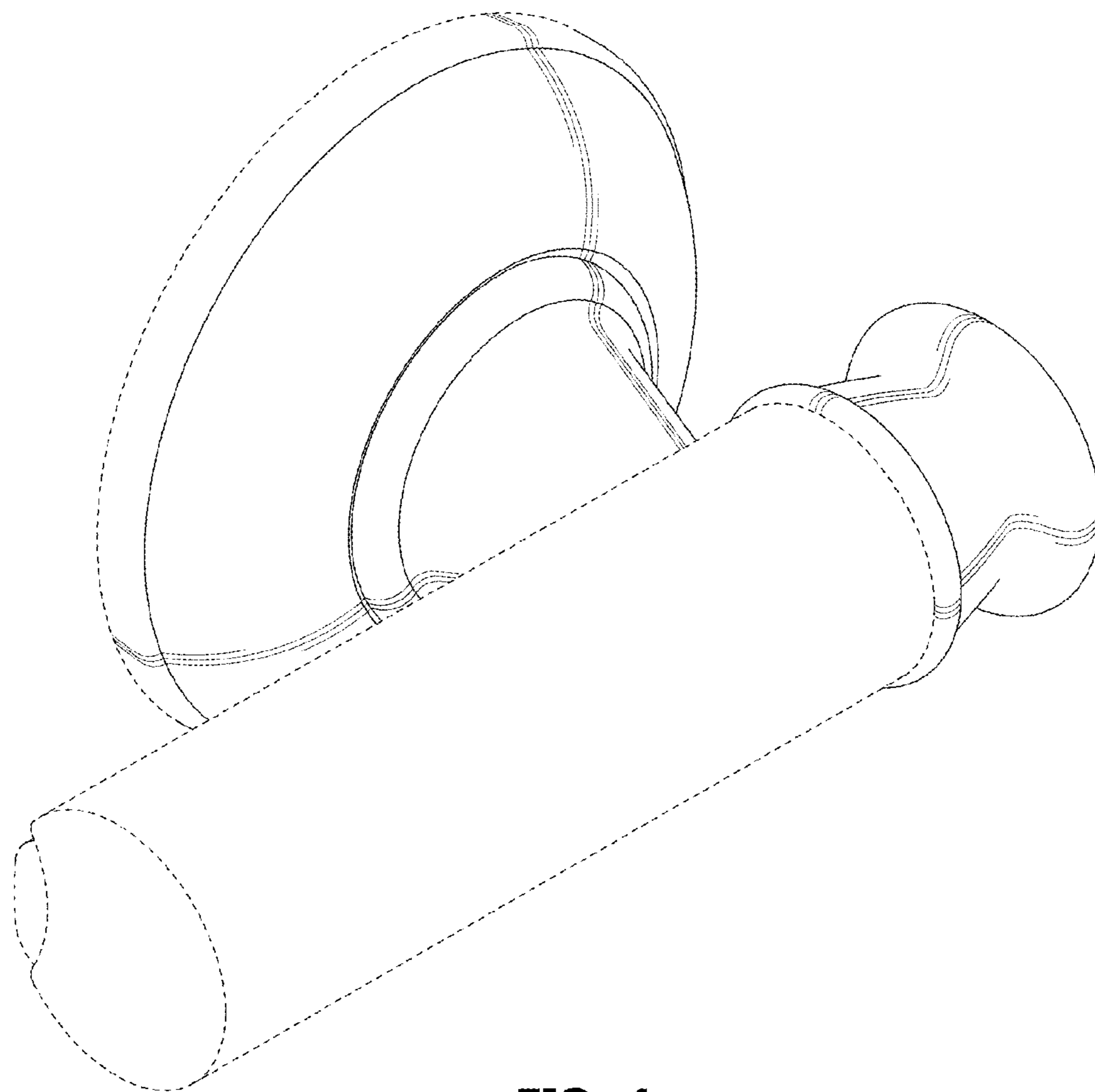


FIG. 1

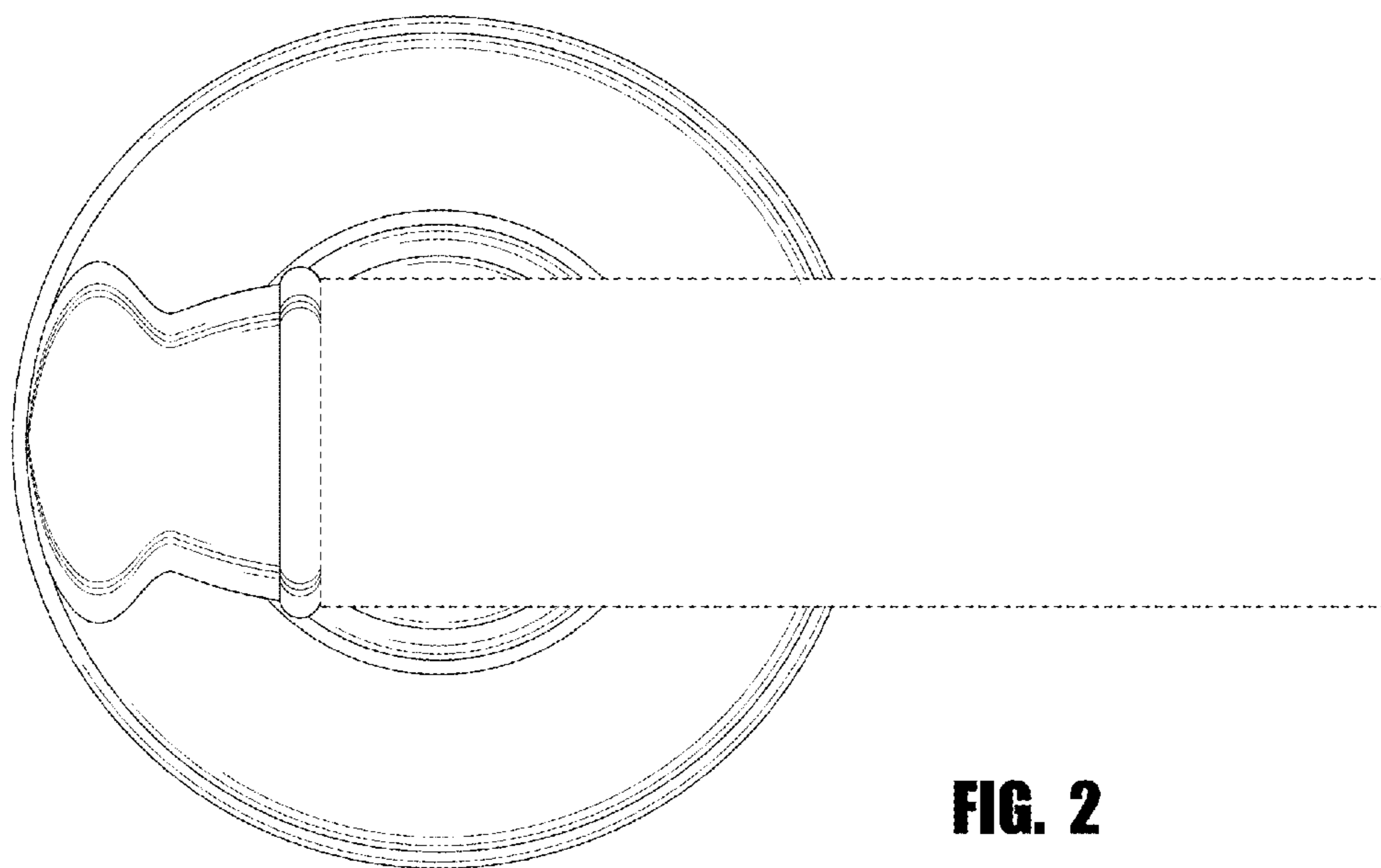


FIG. 2

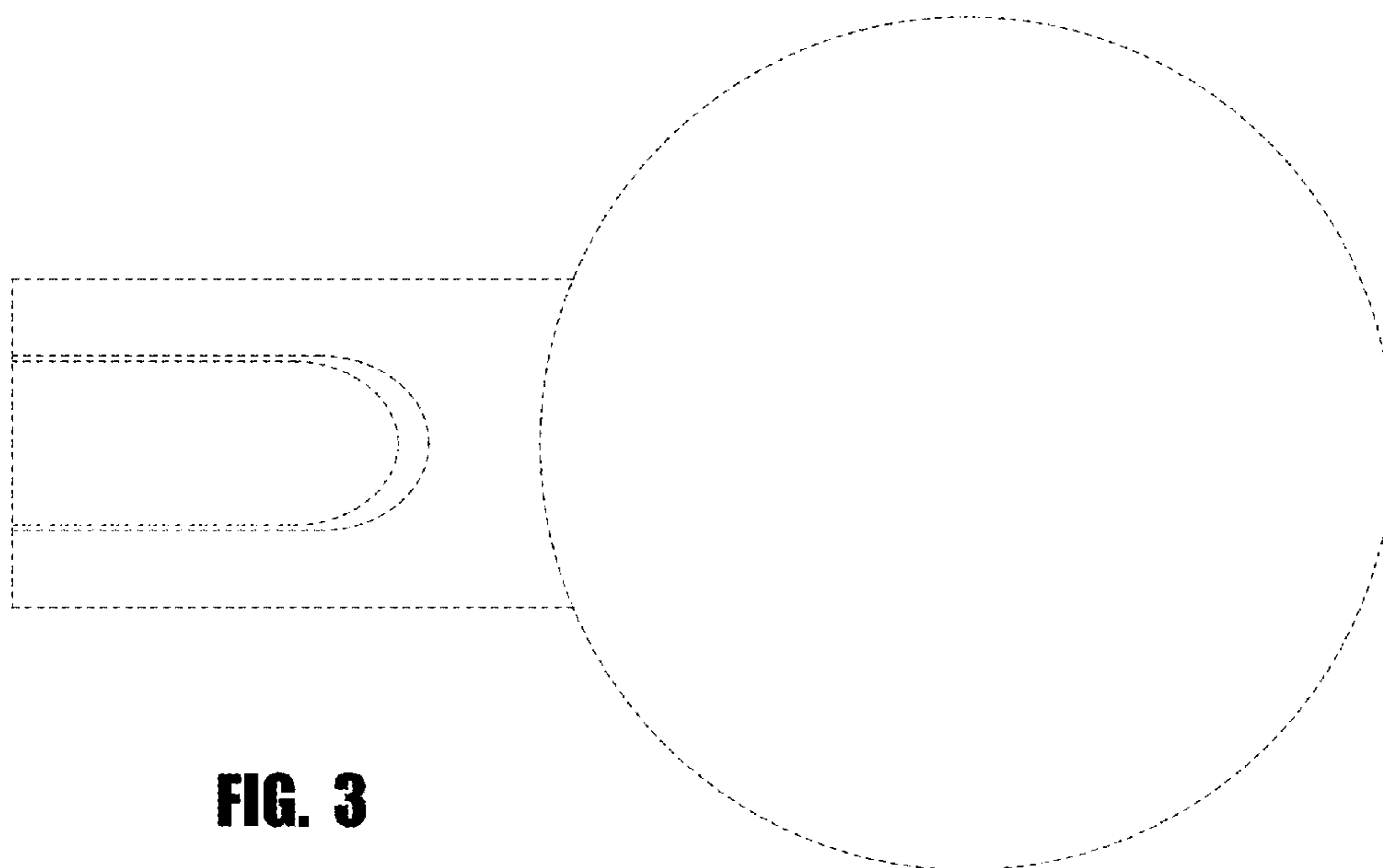
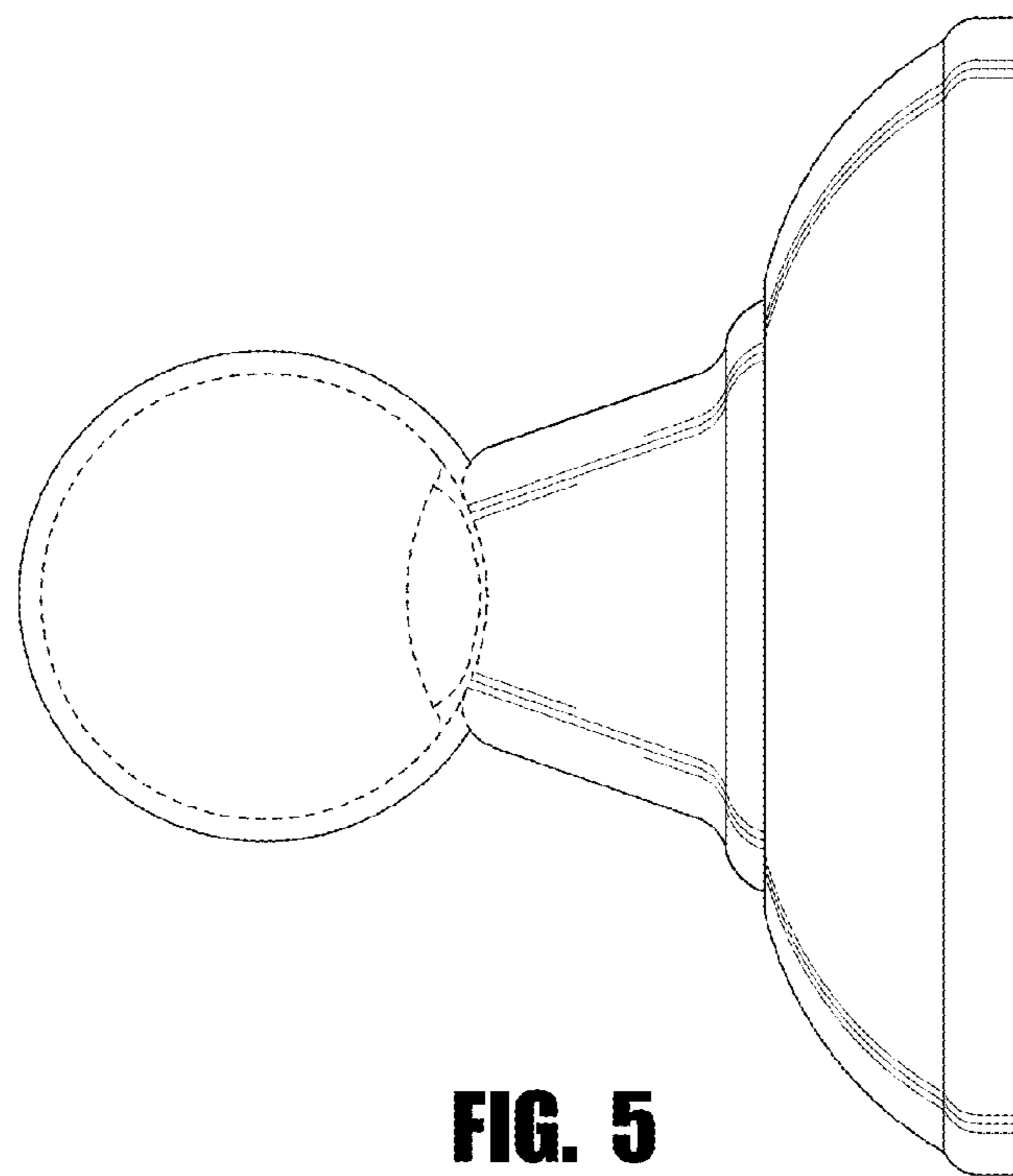
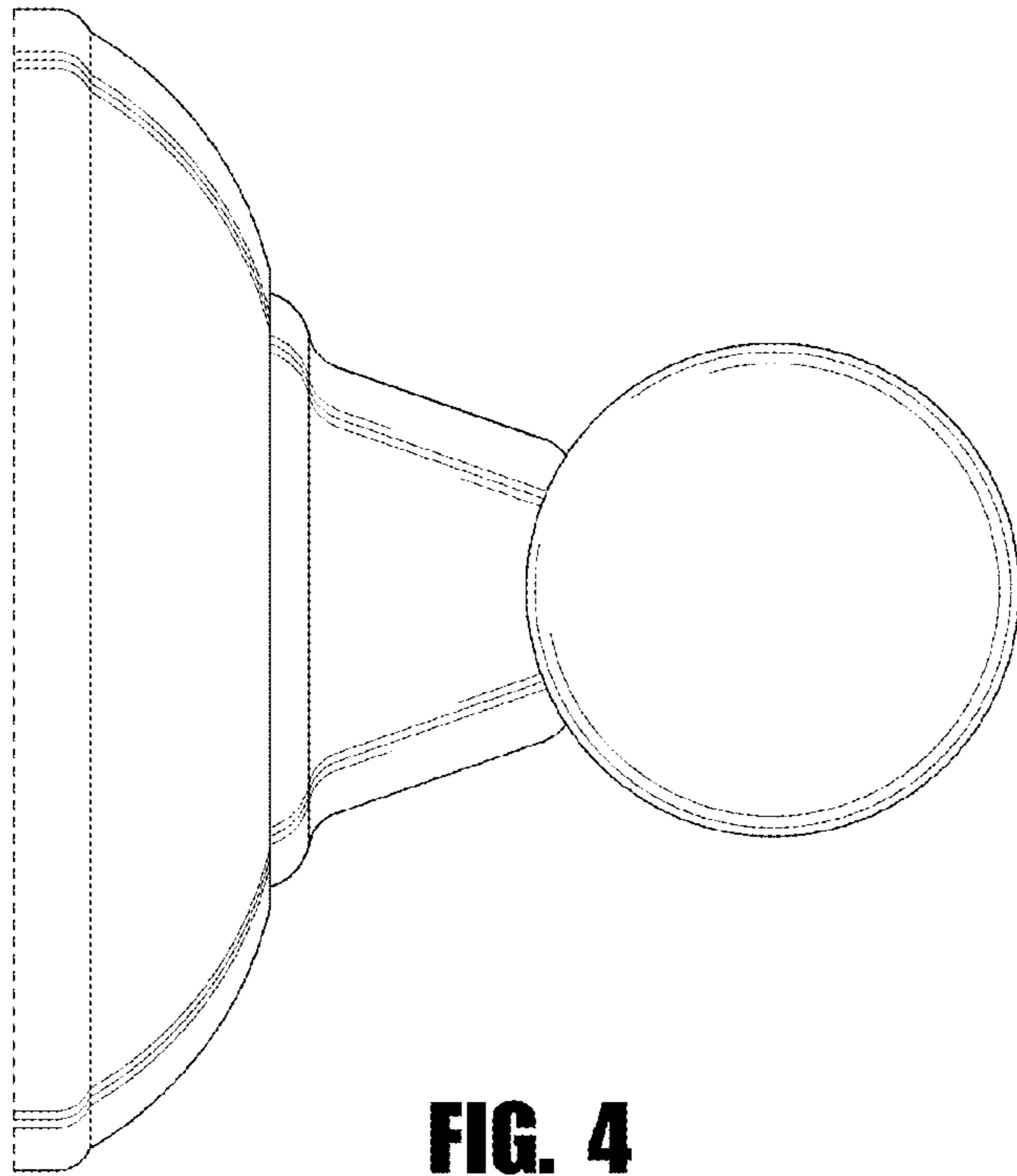


FIG. 3



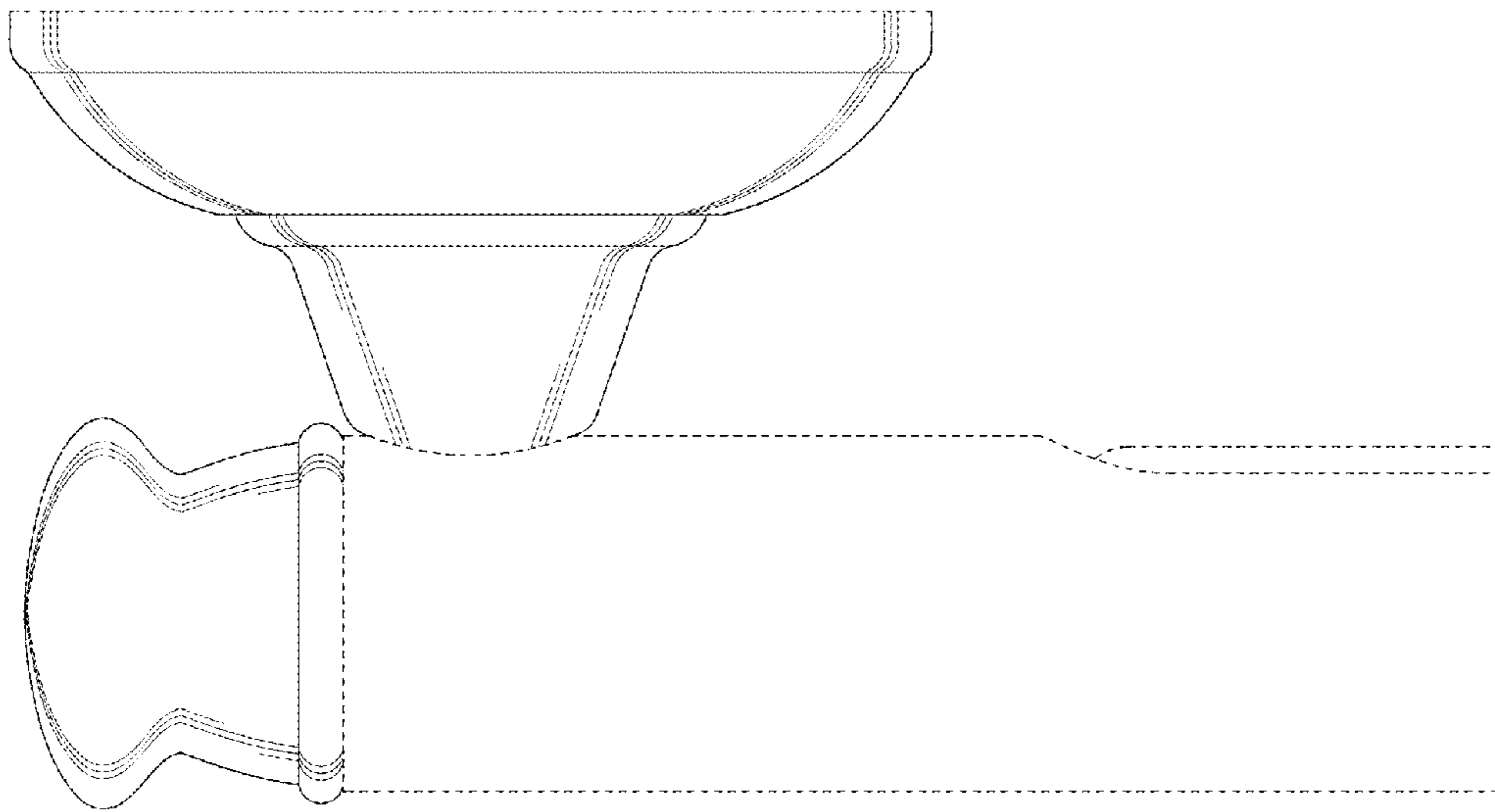


FIG. 6