



US00D765438S

(12) **United States Design Patent** (10) **Patent No.:** **US D765,438 S**  
**Goodman et al.** (45) **Date of Patent:** **\*\* Sep. 6, 2016**

(54) **PAPER TOWEL HOLDER**  
(71) Applicant: **Spectrum Diversified Designs, Inc.**,  
Streetsboro, OH (US)  
(72) Inventors: **Sheldon H. Goodman**, Solon, OH  
(US); **Phaysouk Xayoiphonh**, Akron,  
OH (US)  
(73) Assignee: **Spectrum Diversified Designs, LLC**,  
Streetsboro, OH (US)

D474,361 S \* 5/2003 Ancona ..... D6/521  
D474,633 S \* 5/2003 Ancona ..... D6/521  
D474,634 S \* 5/2003 Ancona ..... D6/521  
D474,635 S \* 5/2003 Ancona ..... D6/521  
D576,825 S \* 9/2008 Goodman ..... D6/521  
D582,709 S \* 12/2008 Goodman ..... D6/521  
D628,836 S \* 12/2010 Guindi ..... D6/521  
D628,837 S \* 12/2010 Goodman ..... D6/521  
D628,838 S \* 12/2010 Goodman ..... D6/521  
D631,271 S \* 1/2011 Goodman ..... D6/521  
D653,889 S \* 2/2012 Guindi ..... D6/521  
D660,629 S \* 5/2012 Goodman ..... D6/521  
D667,662 S \* 9/2012 Goodman ..... D6/521

(\*\*) Term: **15 Years**

(Continued)

(21) Appl. No.: **29/543,796**  
(22) Filed: **Oct. 28, 2015**  
(51) **LOC (10) Cl.** ..... **20-02**  
(52) **U.S. Cl.**  
USPC ..... **D6/521**  
(58) **Field of Classification Search**  
USPC ..... D6/518-523; 206/389, 391; 211/13.1,  
211/59.1, 45, 89.01, 16, 85.5, 86.01, 87.01,  
211/88.04, 100, 105.1, 105.2, 106, 113,  
211/123, 181.1, 182-183; 242/570, 590,  
242/597.7, 390.1, 390.2; D25/45; D8/300,  
D8/370, 315; 108/28-29; 248/49, 175,  
248/176.1, 200, 201, 205.1, 251, 302,  
248/309.1, 315  
CPC . A47K 10/3836; B26F 3/02; Y10T 225/282;  
A47K 2010/3863  
See application file for complete search history.

**OTHER PUBLICATIONS**

Spectrum diversified design website, scroll paper towel holder, Feb. 1, 2016, <https://www.spectrumdiversified.com/Paper-Towel-Napkin-Holders-Scroll-Paper-Towel-Holder>.\*

*Primary Examiner* — David Muller  
*Assistant Examiner* — Nathan Johnston  
(74) *Attorney, Agent, or Firm* — Benesch Friedlander Coplan & Aronoff, LLP

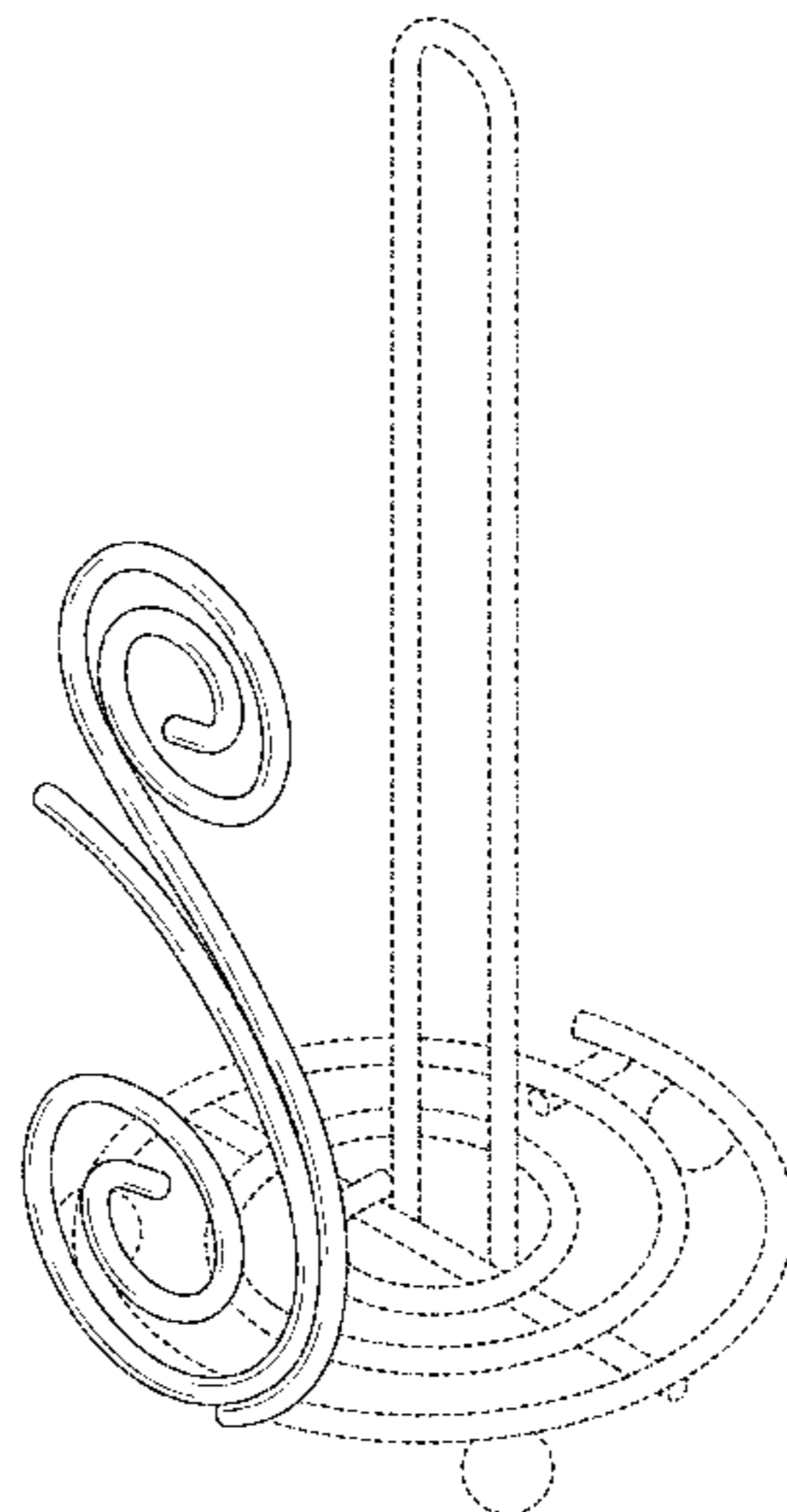
(57) **CLAIM**  
What is claimed is the ornamental design for a paper towel holder, as shown and described.

**DESCRIPTION**

FIG. 1 is a perspective view of a paper towel holder showing our new design;  
FIG. 2 is a front elevation view thereof;  
FIG. 3 is a rear elevation view thereof;  
FIG. 4 is a right side elevation view thereof;  
FIG. 5 is a left side elevation view thereof;  
FIG. 6 is a top plan view thereof; and,  
FIG. 7 is a bottom plan view thereof.  
The components of the display shown in broken lines illustrate portions of the paper towel holder which form no part of the claimed design.

(56) **References Cited**  
U.S. PATENT DOCUMENTS  
1,699,935 A \* 1/1929 Warnes ..... A47J 29/06  
211/181.1  
D390,054 S \* 2/1998 Goodman ..... D6/521  
D395,567 S \* 6/1998 Hollinger ..... D6/521  
D405,304 S \* 2/1999 Goodman ..... D6/521  
D412,803 S \* 8/1999 Goodman ..... D6/521  
D438,737 S \* 3/2001 Goodman ..... D6/522

**1 Claim, 7 Drawing Sheets**



# US D765,438 S

Page 2

---

(56)

## References Cited

### U.S. PATENT DOCUMENTS

D667,663 S *	9/2012	Goodman	.....	D6/521	
D698,571 S *	2/2014	Tawil	.....	D6/520	
D699,046 S *	2/2014	Goodman	.....	D6/521	* cited by examiner
D711,664 S *	8/2014	Goodman	.....	D6/521	
D716,070 S *	10/2014	Goodman	.....	D6/521	
D717,564 S *	11/2014	Goodman	.....	D6/521	
D723,832 S *	3/2015	Goodman	.....	D6/521	

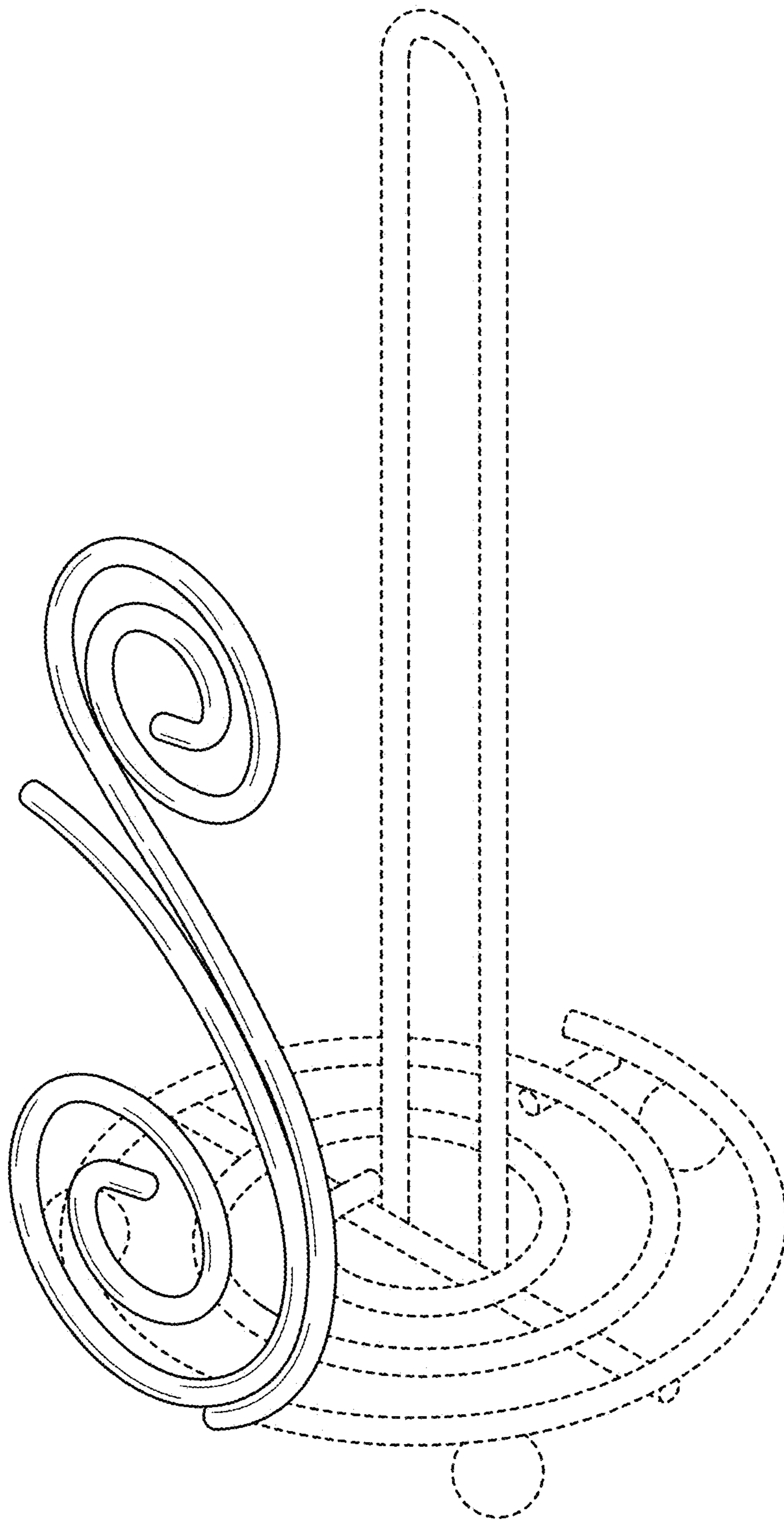


FIG. 1

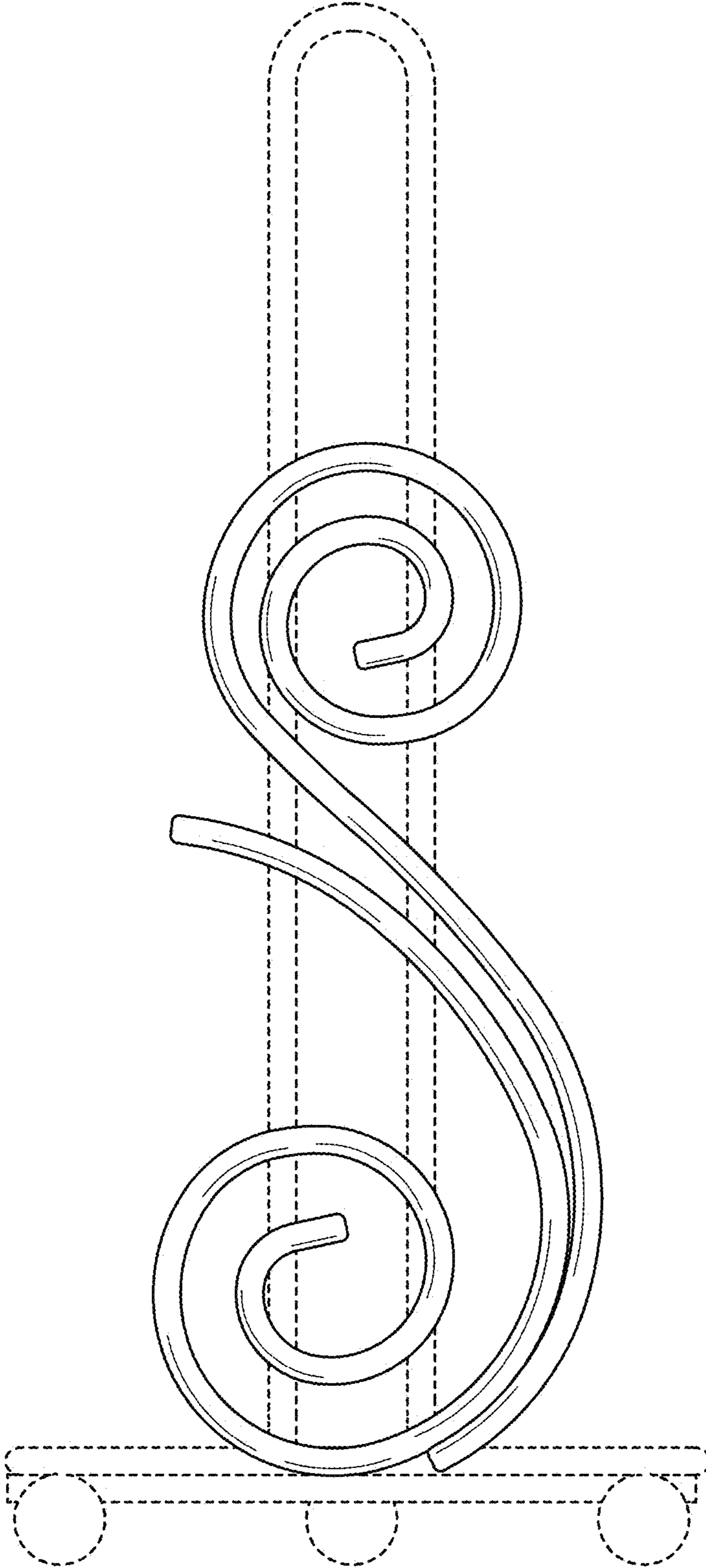


FIG. 2

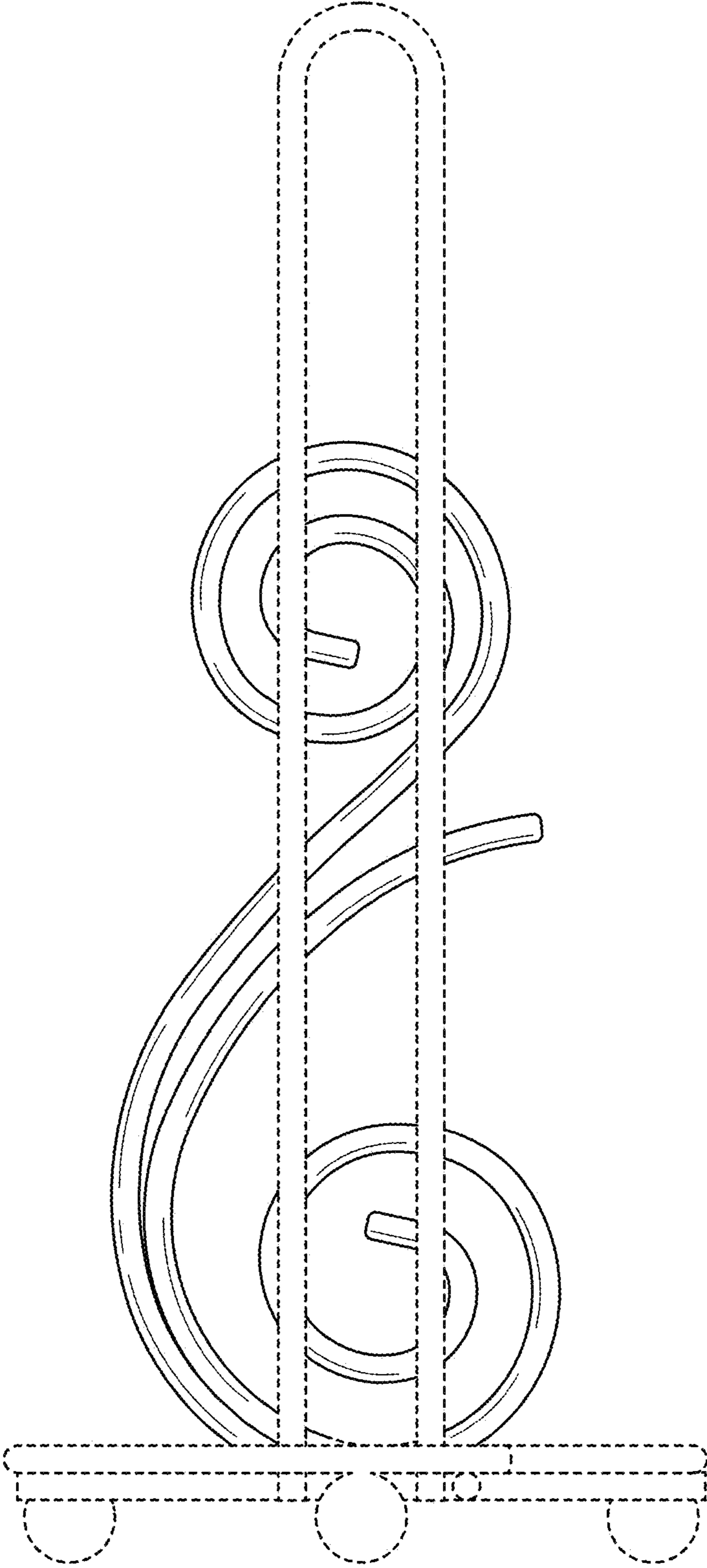


FIG. 3

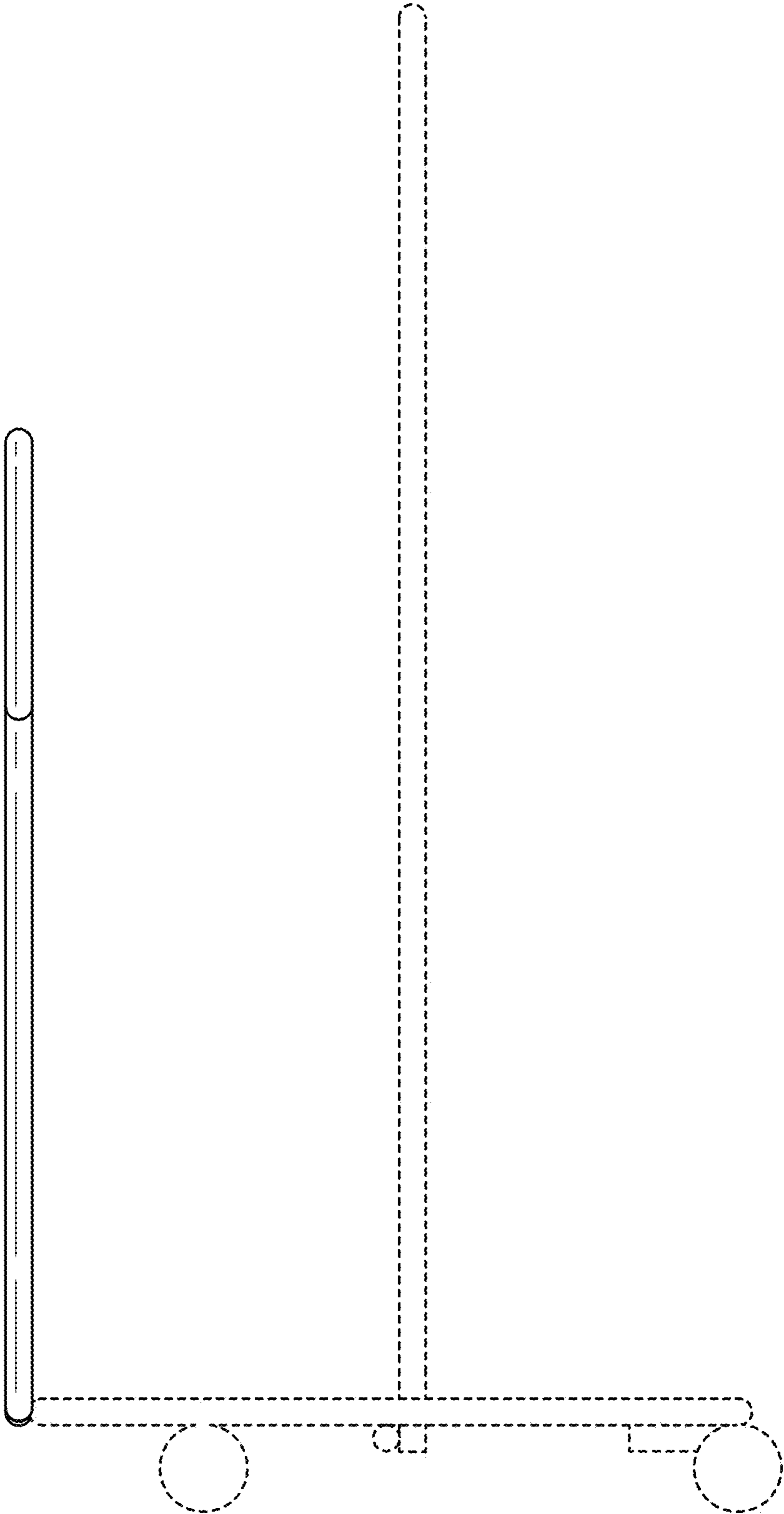


FIG. 4

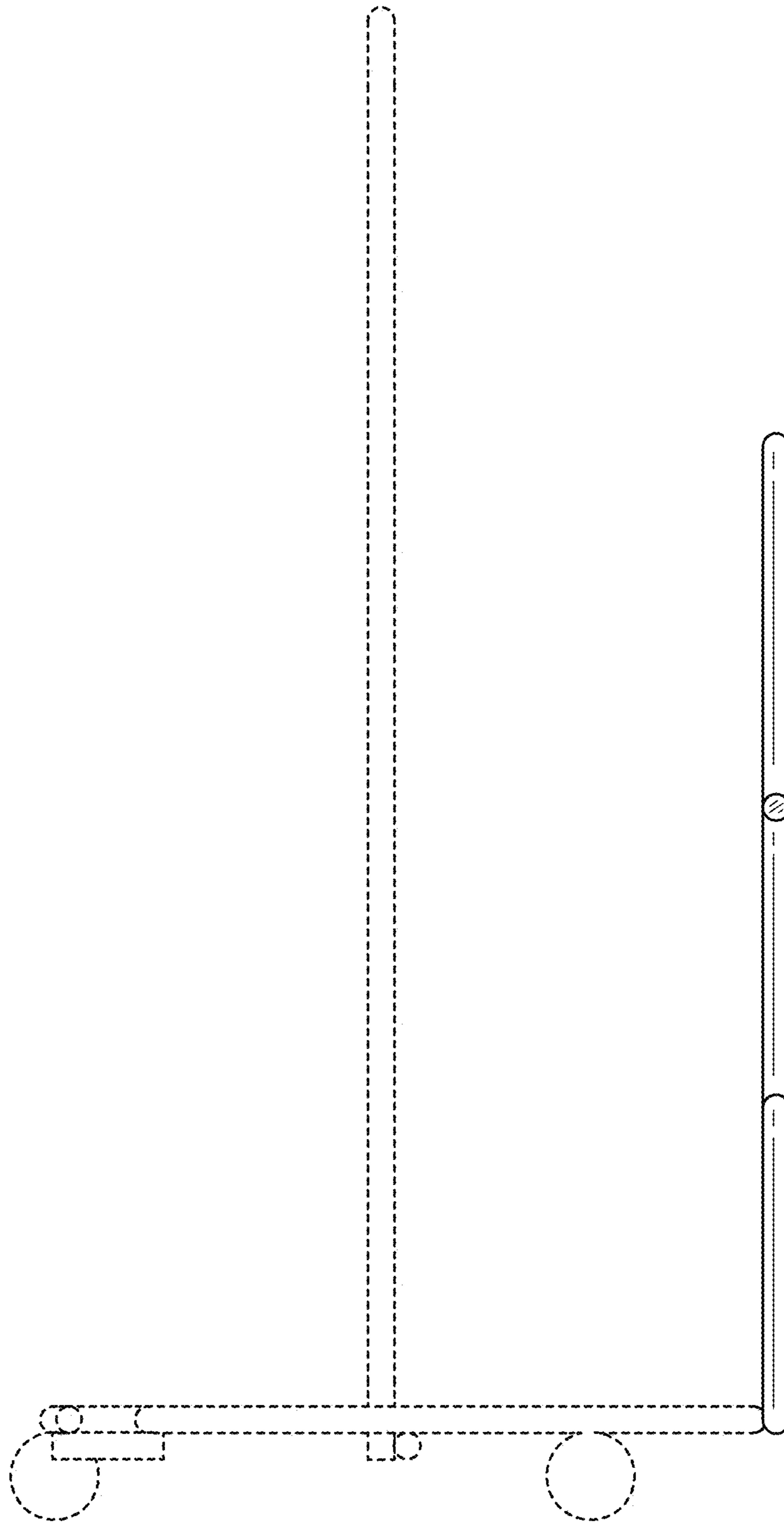


FIG. 5

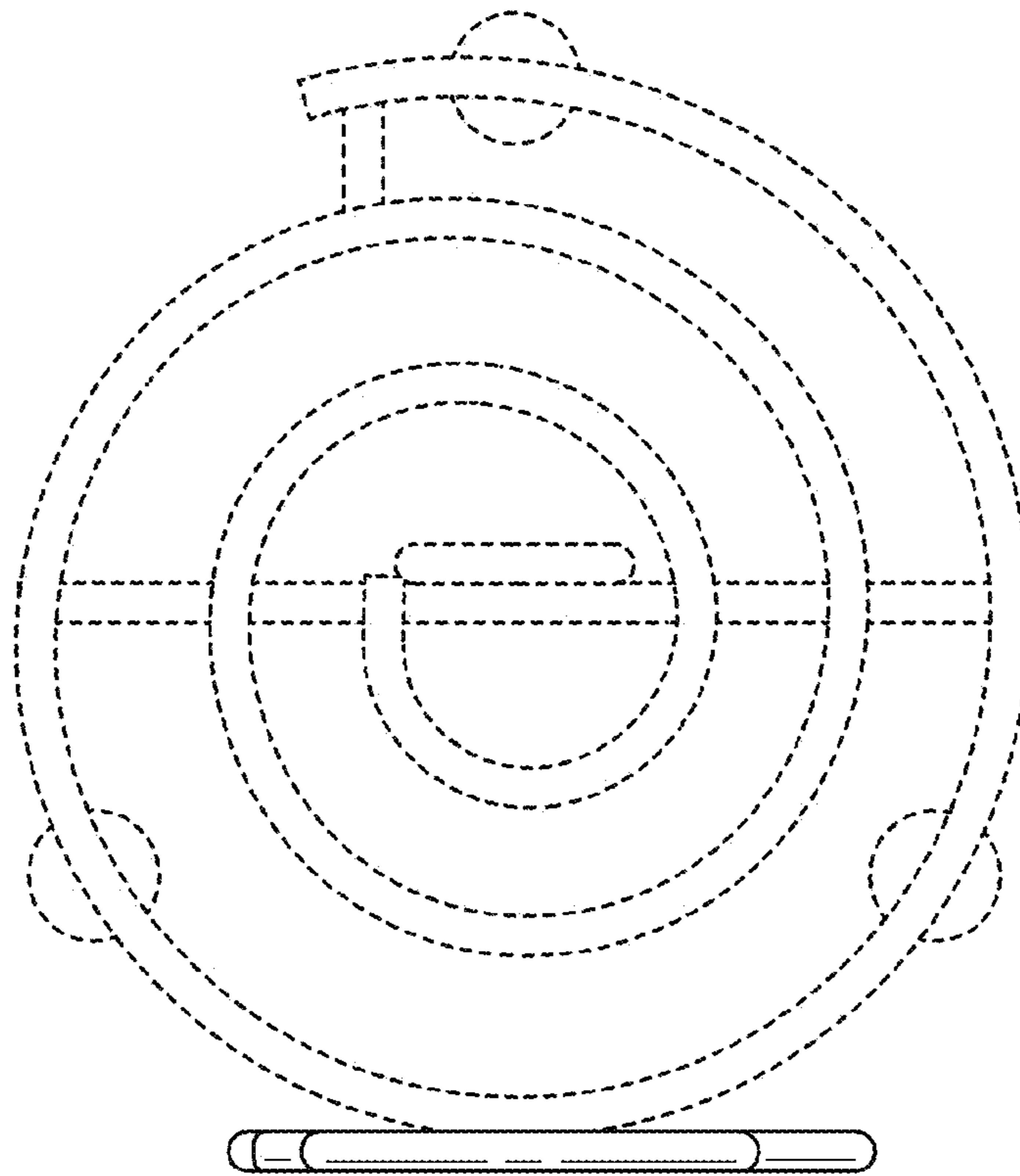


FIG. 6



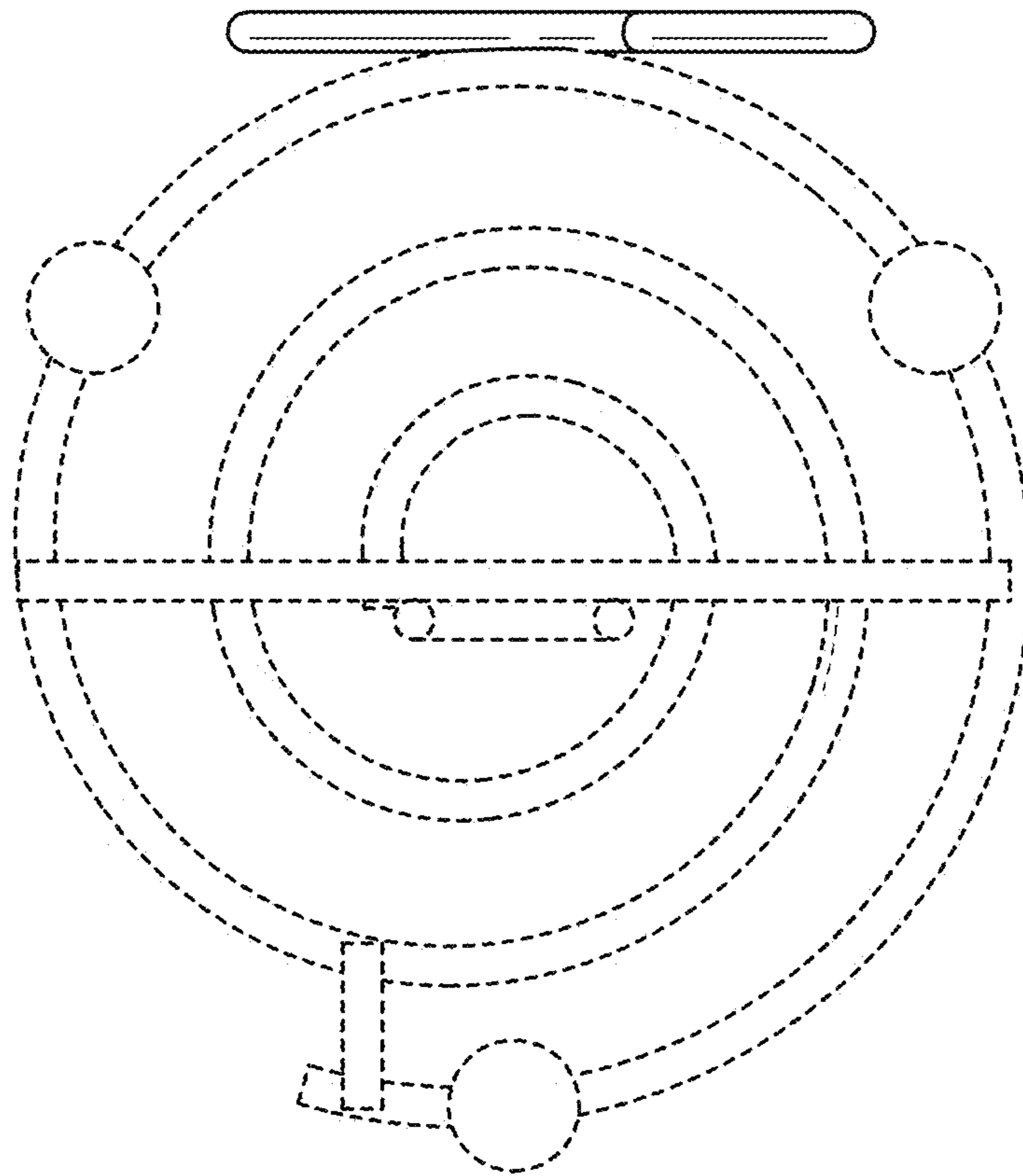


FIG. 7