



US00D765436S

(12) **United States Design Patent**  
**Fang**

(10) **Patent No.:** **US D765,436 S**

(45) **Date of Patent:** **\*\* Sep. 6, 2016**

(54) **HAMMOCK**

(71) Applicant: **Ningbo Mentoriend International Trading Co., Ltd., Ningbo (CN)**

(72) Inventor: **Frank Fang, Ningbo (CN)**

(73) Assignee: **NINGBO MENTORIEND INTERNATIONAL TRADING CO., LTD., Ningbo (CN)**

(\*\*) Term: **14 Years**

(21) Appl. No.: **29/506,558**

(22) Filed: **Oct. 16, 2014**

(51) **LOC (10) Cl.** ..... **06-02**

(52) **U.S. Cl.**  
USPC ..... **D6/387; D6/344**

(58) **Field of Classification Search**  
USPC ..... D6/386, 387, 344, 347  
CPC ..... A45F 3/22; A45F 3/24; A45F 3/26;  
A47C 17/64; A47C 17/84  
See application file for complete search history.

(56) **References Cited**

**U.S. PATENT DOCUMENTS**

- 1,346,973 A \* 7/1920 Padden ..... A47C 3/0255  
297/280
- 1,400,049 A \* 12/1921 Goddard ..... A45F 3/22  
5/128

- D450,938 S \* 11/2001 Liu ..... D6/347
- D459,596 S \* 7/2002 Tseng ..... D6/344
- D496,800 S \* 10/2004 Pauschitz ..... D6/344
- 7,862,442 B2 \* 1/2011 Tseng ..... A47C 3/0255  
297/273
- D681,354 S \* 5/2013 Hinterwirth ..... D6/347
- D706,043 S \* 6/2014 Zhou ..... D6/347

\* cited by examiner

*Primary Examiner* — Cathron Brooks

(74) *Attorney, Agent, or Firm* — Matthias Scholl, PC;  
Matthias Scholl

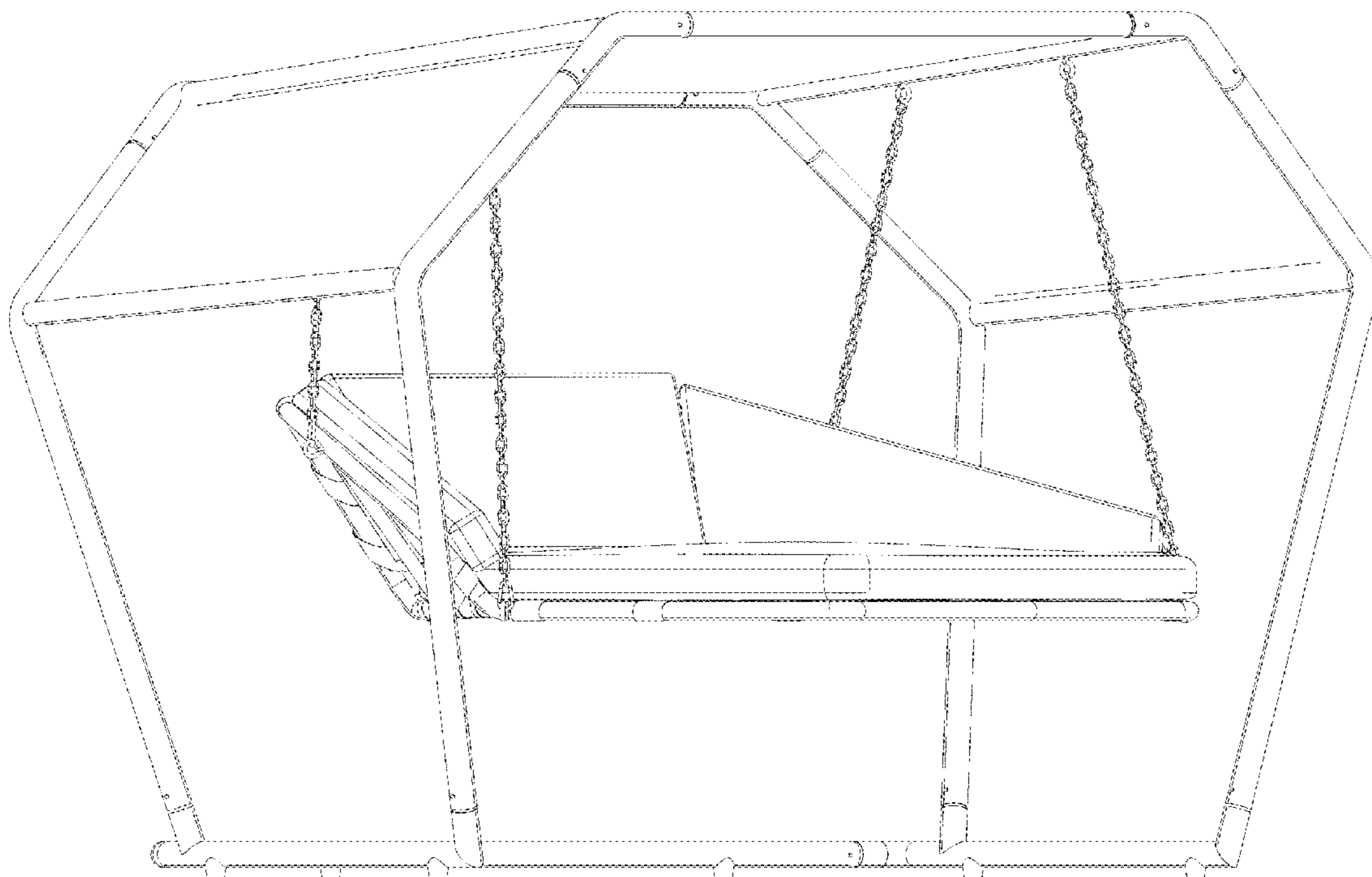
(57) **CLAIM**

The ornamental design for a hammock, as shown and described.

**DESCRIPTION**

FIG. 1 is a front elevational view of a hammock;  
FIG. 2 is a rear elevational view thereof;  
FIG. 3 is a left side elevational view thereof;  
FIG. 4 is a right side elevational view thereof;  
FIG. 5 is a top plan view thereof;  
FIG. 6 is a bottom plan view thereof; and,  
FIG. 7 is a perspective view thereof.

**1 Claim, 7 Drawing Sheets**



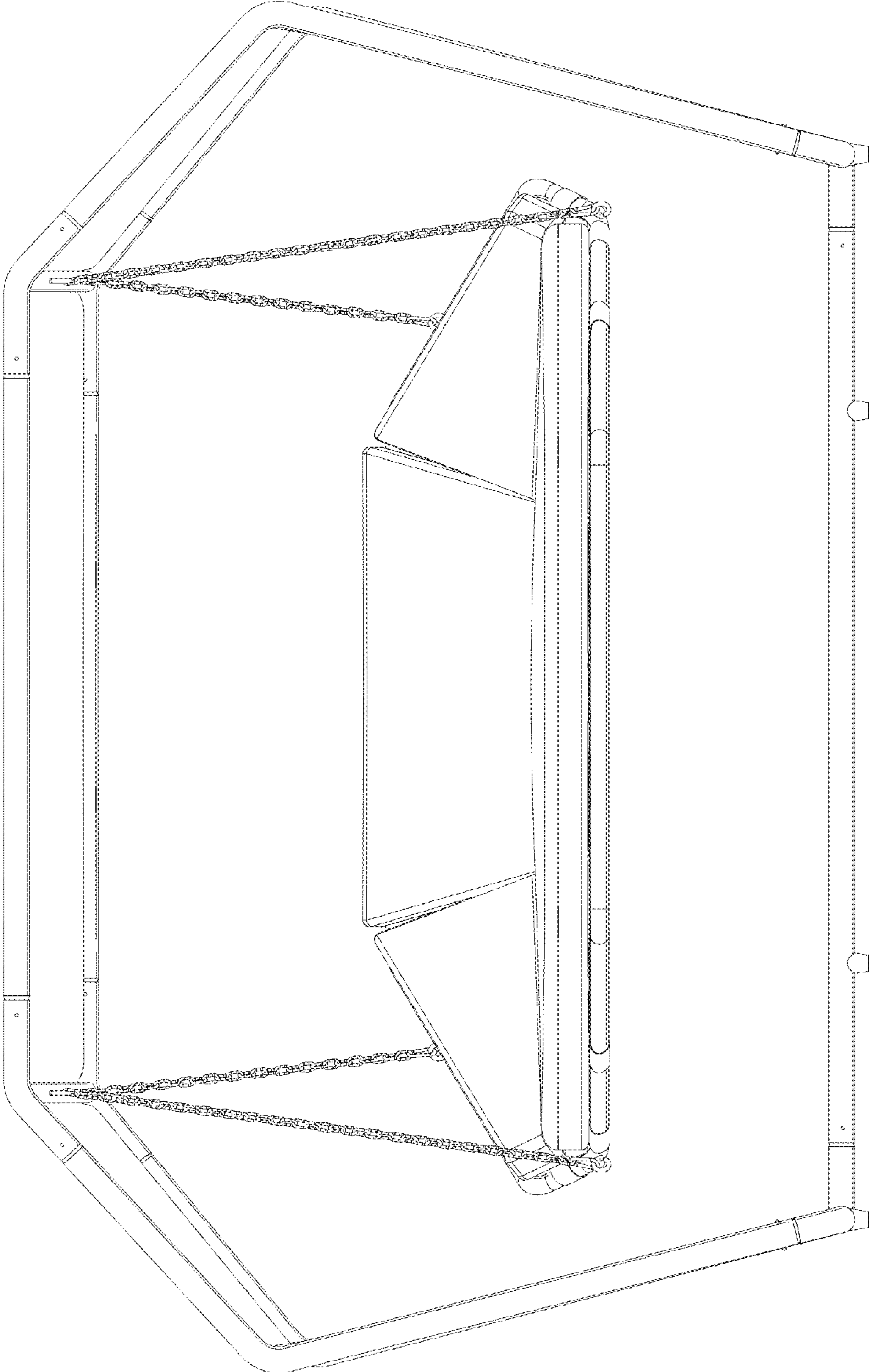


FIG. 1

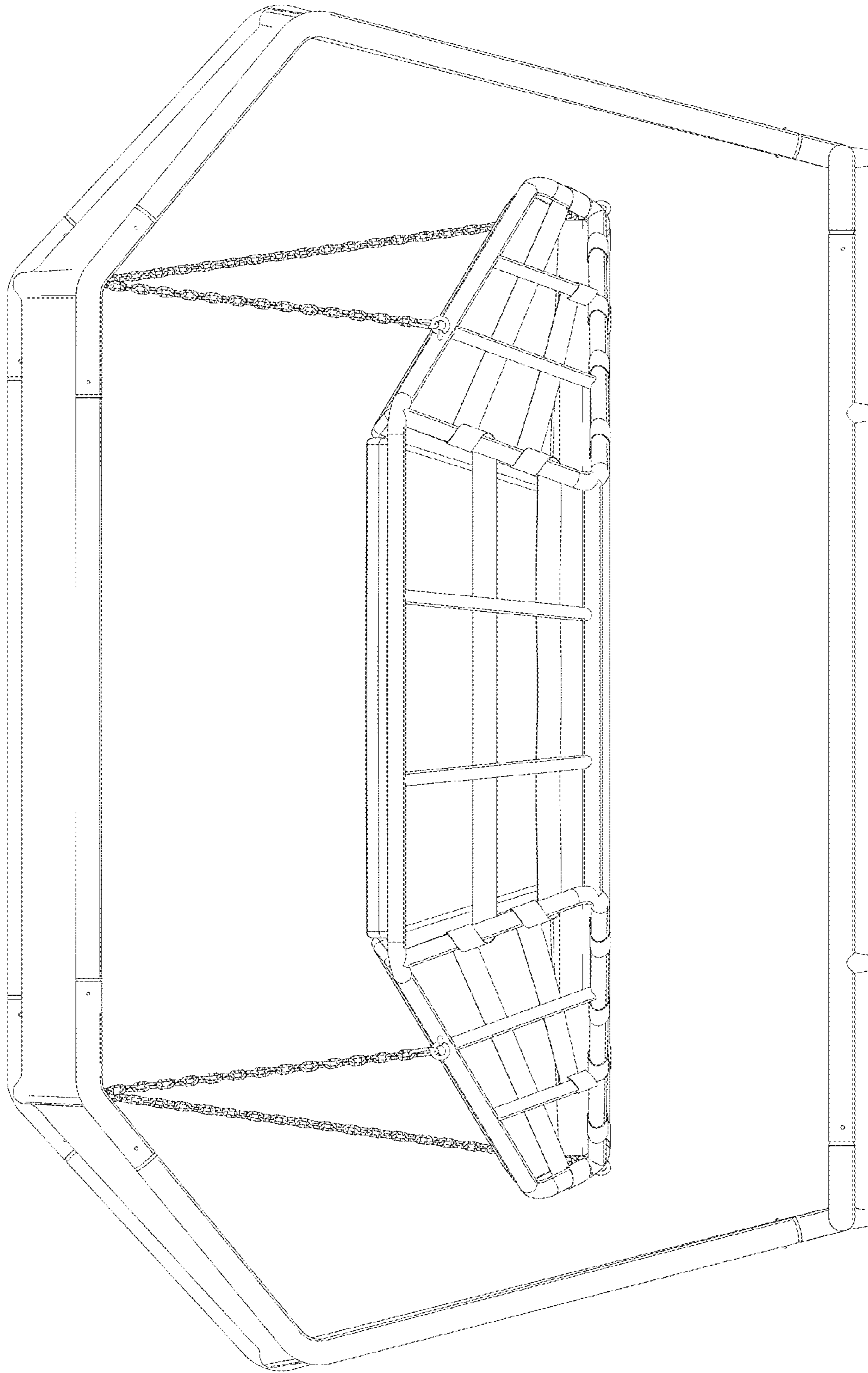


FIG. 2

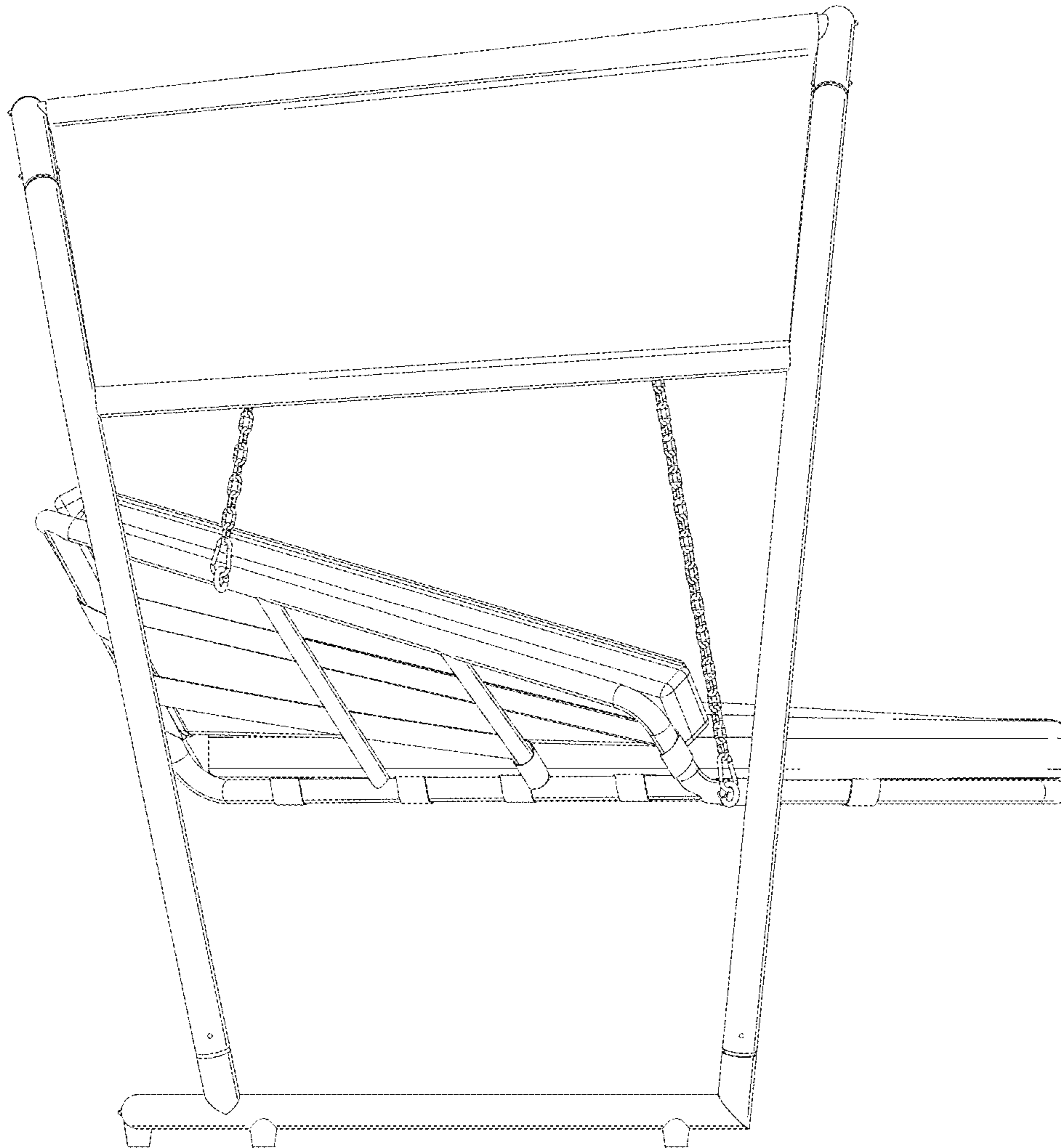


FIG. 3

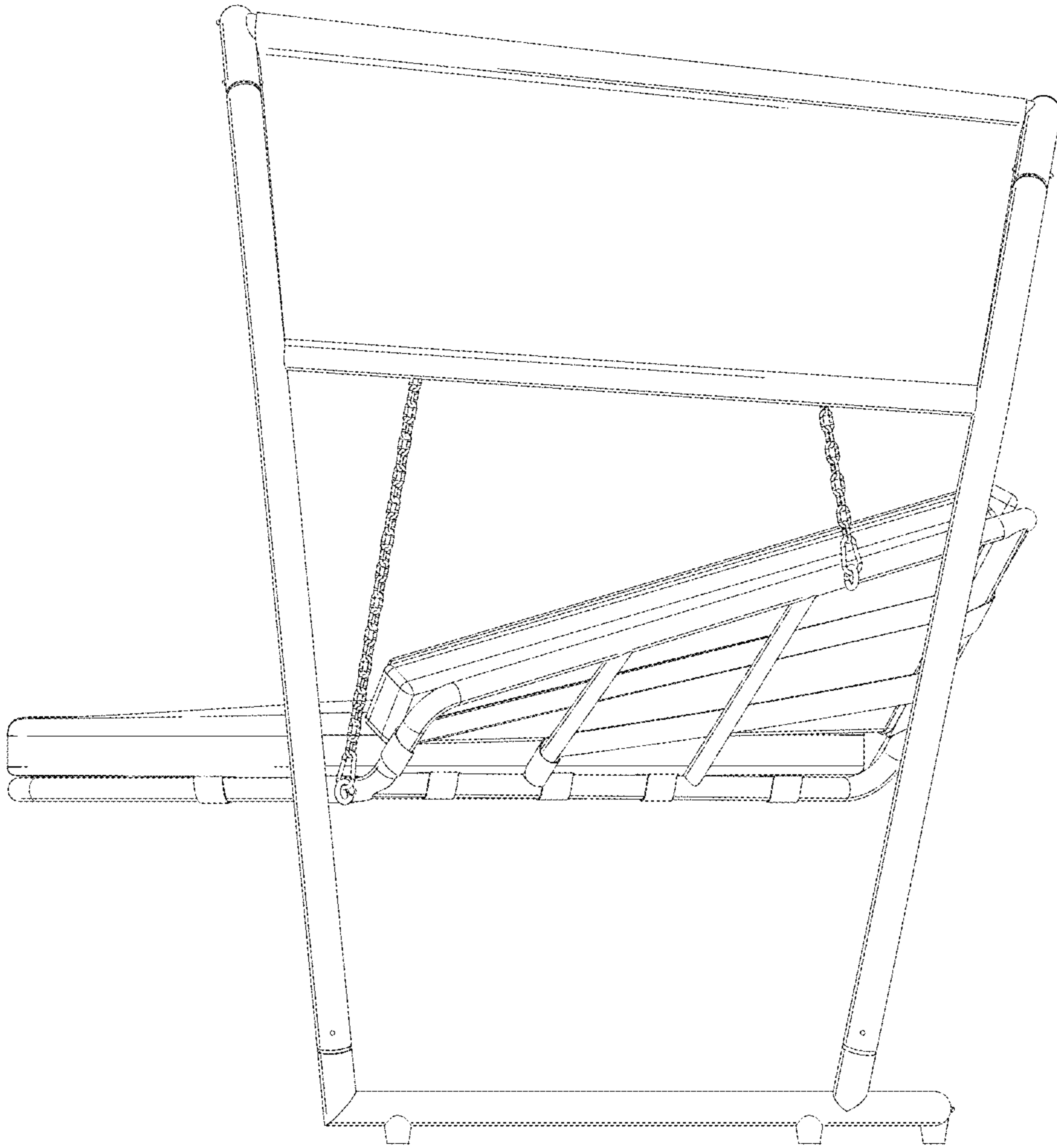


FIG. 4

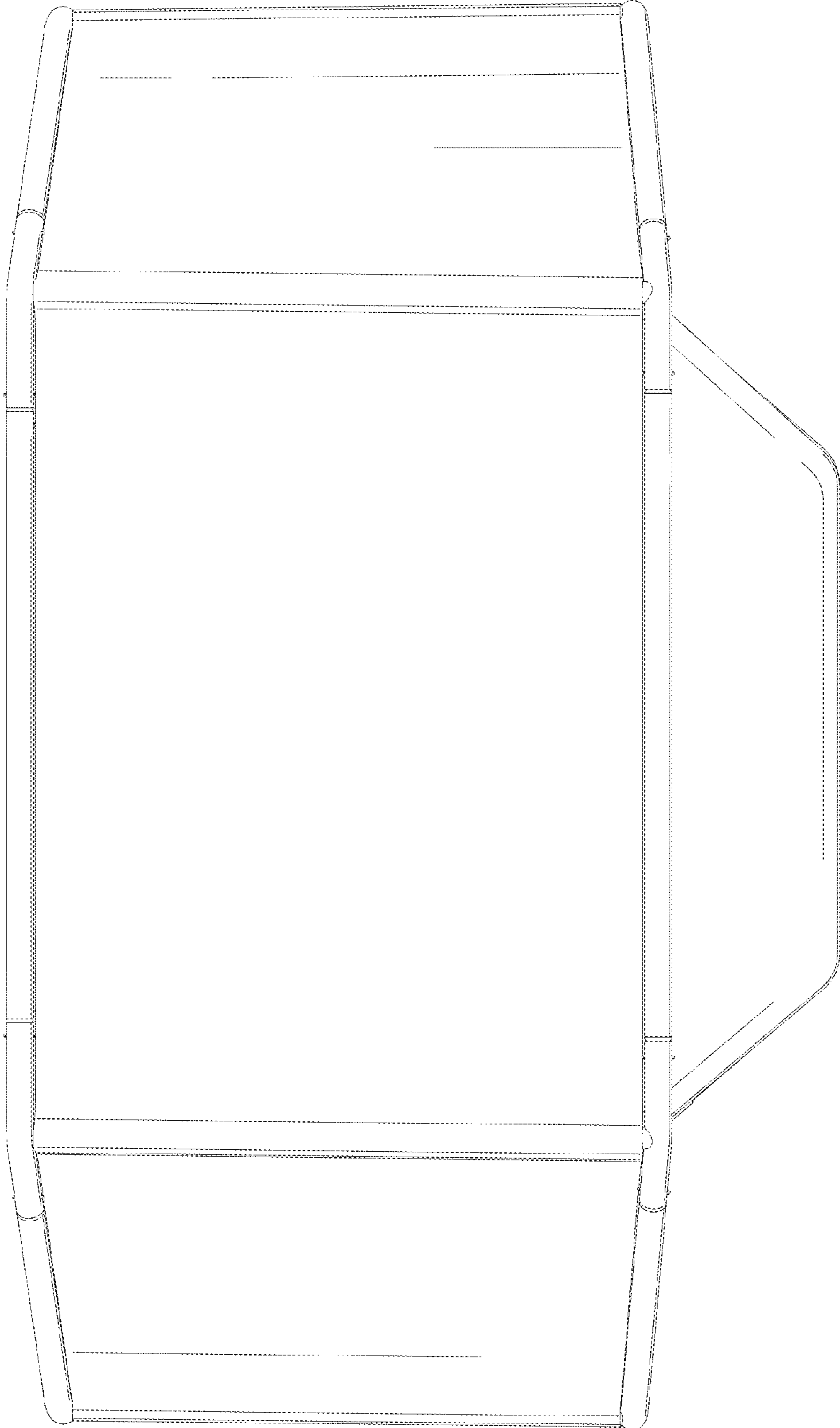


FIG. 5

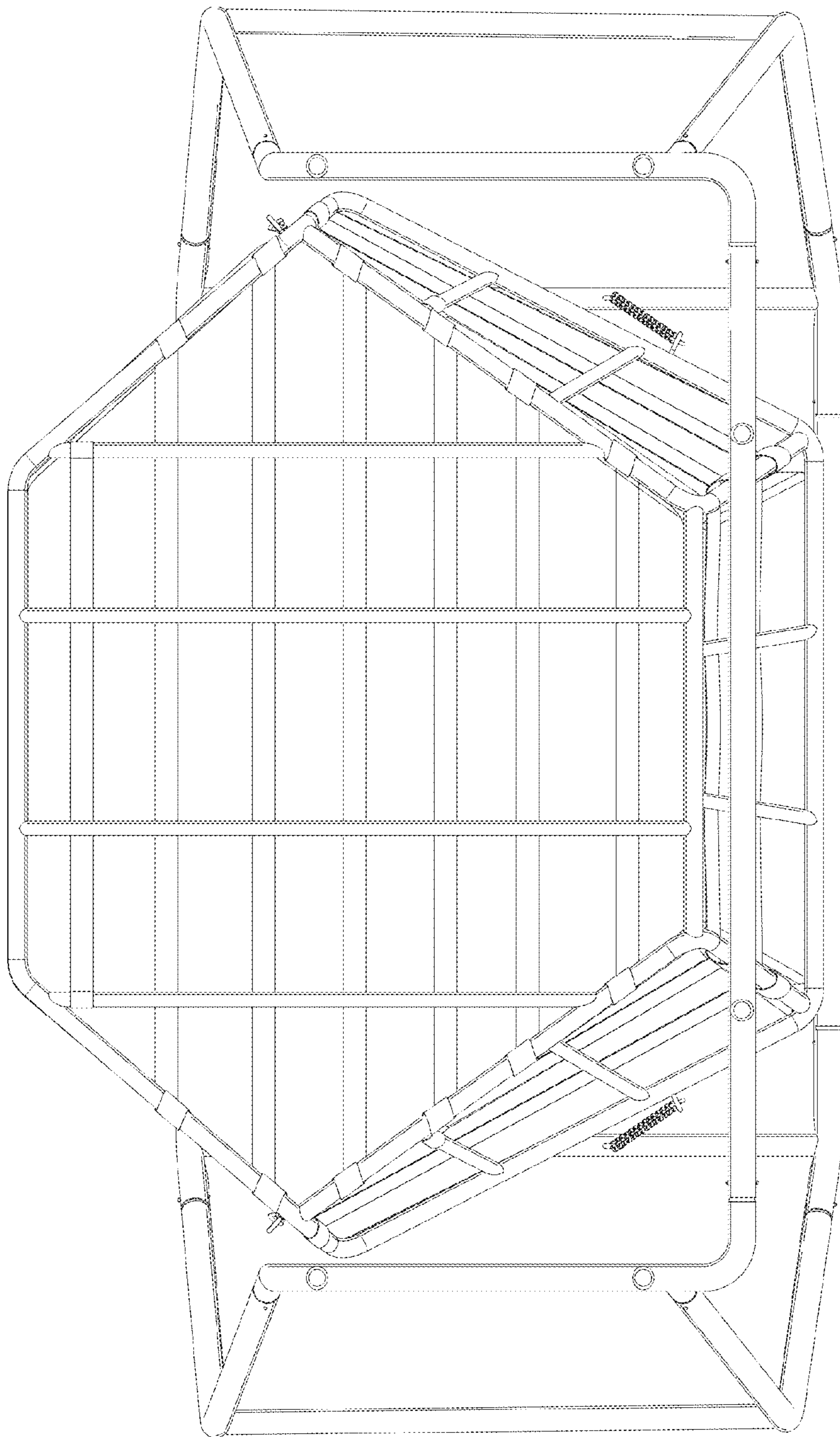


FIG. 6

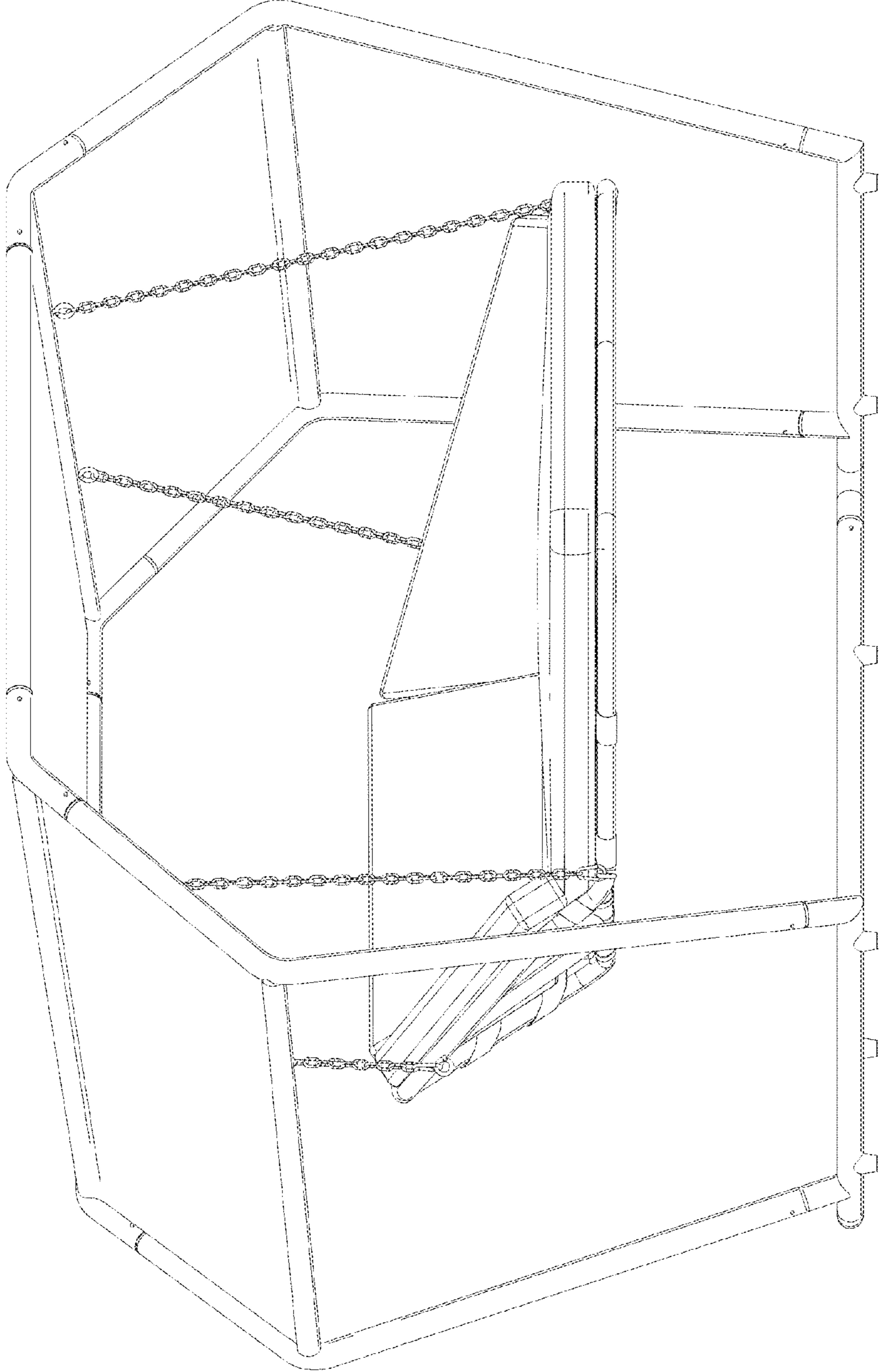


FIG. 7