



US00D765433S

(12) **United States Design Patent** (10) **Patent No.:** **US D765,433 S**
Berger (45) **Date of Patent:** **** Sep. 6, 2016**

(54) **CLOTHES HANGER**
(71) Applicant: **Andy L Berger**, Woodridge, IL (US)
(72) Inventor: **Andy L Berger**, Woodridge, IL (US)
(**) Term: **15 Years**
(21) Appl. No.: **29/529,741**

2,601,926 A * 7/1952 Speaker A47G 25/18
211/113
D320,699 S * 10/1991 Beloe D6/317
D363,185 S * 10/1995 Thompson D6/315
D401,705 S * 11/1998 Jones D32/58
D628,397 S * 12/2010 Fort D6/319
D688,473 S * 8/2013 Cohen D6/319
D720,545 S * 1/2015 Kilpatrick D6/317
D737,583 S * 9/2015 Li D6/319
2013/0200113 A1* 8/2013 Tashkin A47G 25/40
223/85

(22) Filed: **Jun. 10, 2015**
(51) **LOC (10) Cl.** **06-08**
(52) **U.S. Cl.**
USPC **D6/319**
(58) **Field of Classification Search**
USPC D6/315-328; 223/85-98; 211/10, 13.1,
211/85.3, 86.01, 87.01, 113
CPC A47G 25/14; A47G 25/28; A47G 25/26;
A47G 25/30; A47G 25/36; A47G 25/50;
A47G 25/442; A47G 25/483; A47G 25/743;
A47G 25/4023; A47F 5/0006
See application file for complete search history.

* cited by examiner

Primary Examiner — Derrick Holland
Assistant Examiner — Lauren Calve

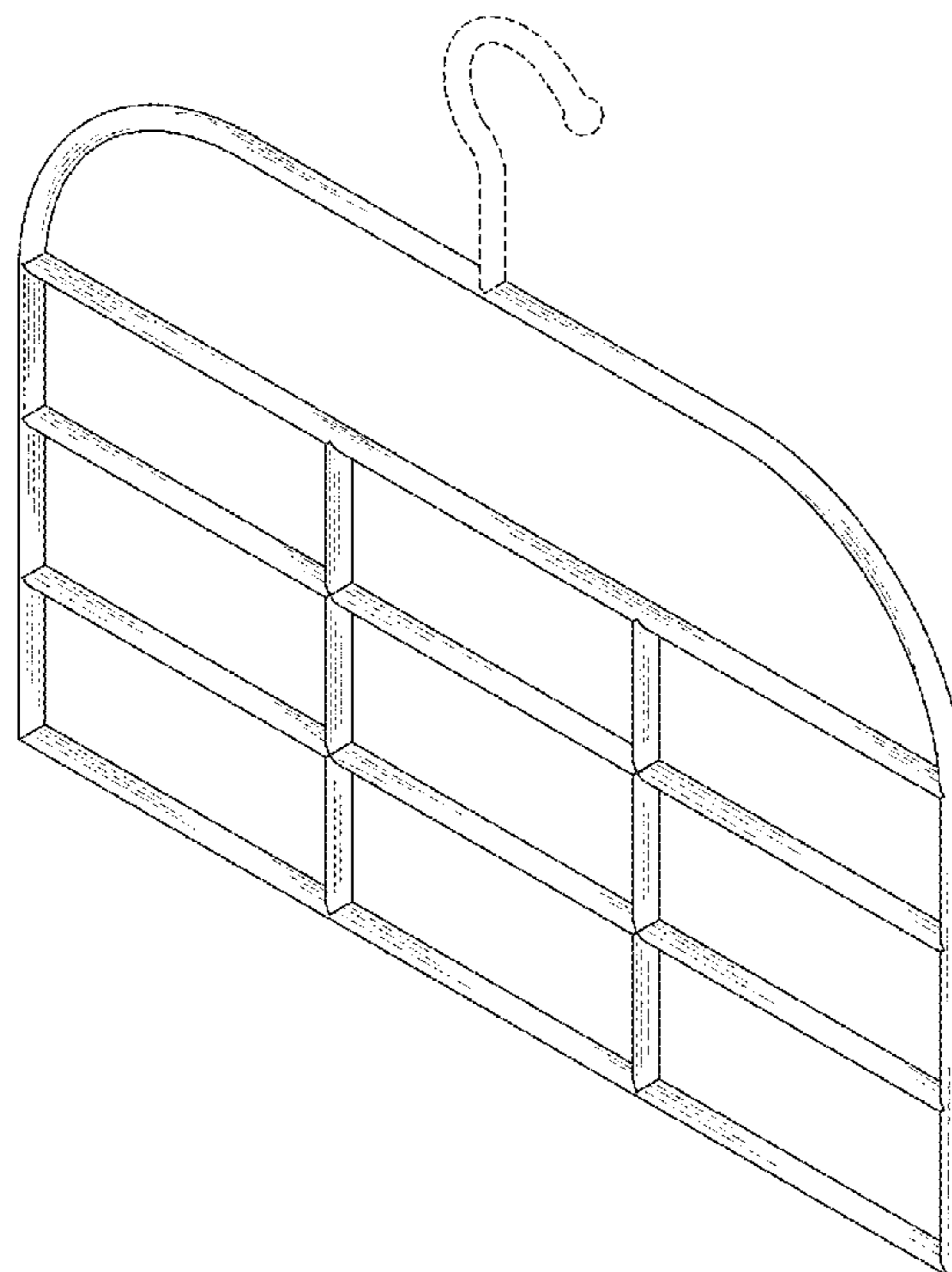
(57) **CLAIM**
The ornamental design for a clothes hanger, as shown and described.

DESCRIPTION

FIG. 1 is a perspective view of a clothes hanger showing my new design;
FIG. 2 is a rear elevational view thereof;
FIG. 3 is a front elevational view thereof;
FIG. 4 is a right side elevational view thereof;
FIG. 5 is a left side elevational view thereof;
FIG. 6 is a bottom plan view thereof; and,
FIG. 7 is a top plan view thereof.
The broken lines shown represent unclaimed subject matter and form no part of the claimed design.

(56) **References Cited**
U.S. PATENT DOCUMENTS
1,734,237 A * 11/1929 Soloff A47G 25/746
211/113
2,506,510 A * 5/1950 Longwell A47G 25/18
223/91
2,567,434 A * 9/1951 Hoskings A47K 10/06
211/113

1 Claim, 7 Drawing Sheets



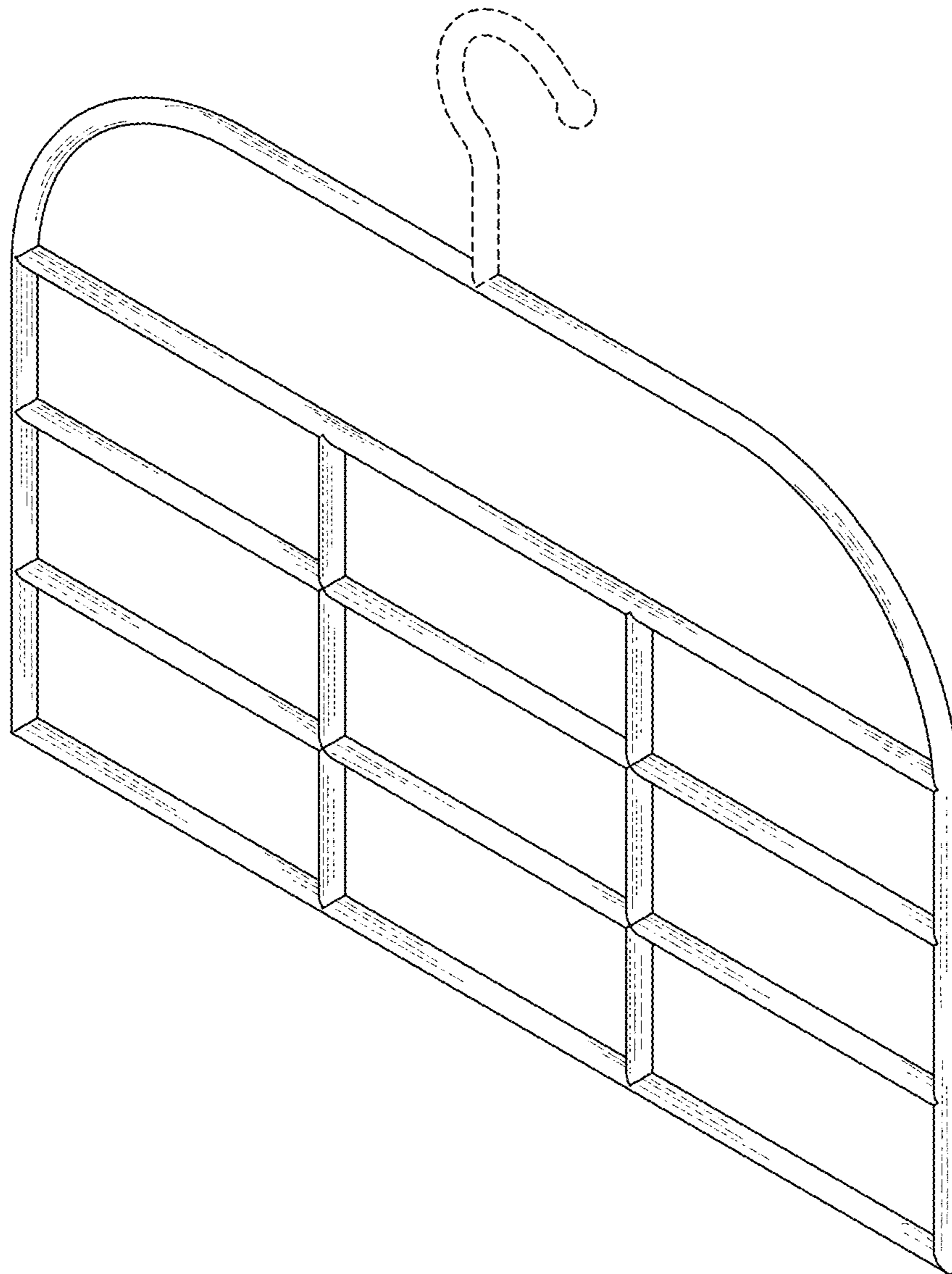


FIG. 1

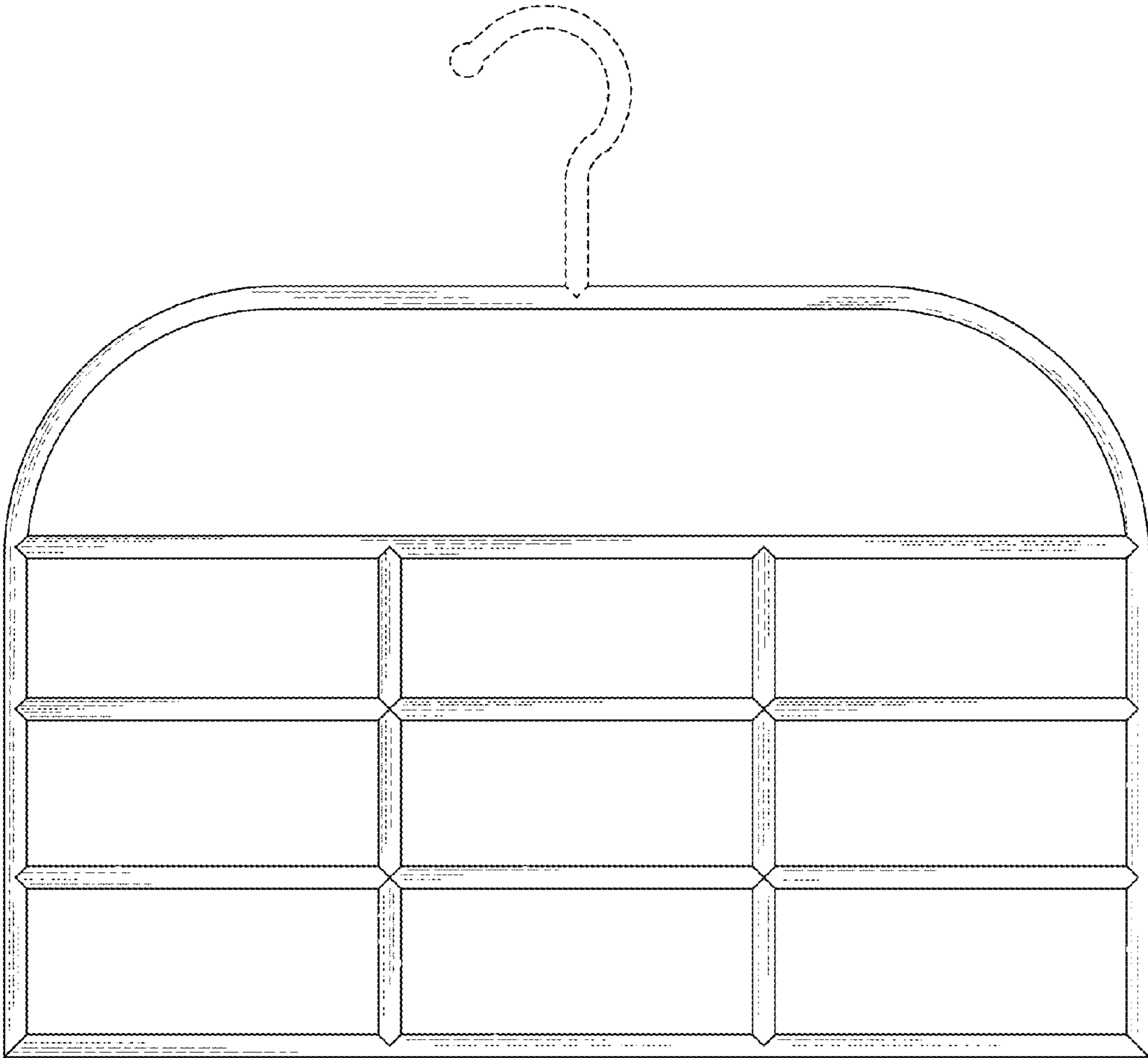


FIG. 2

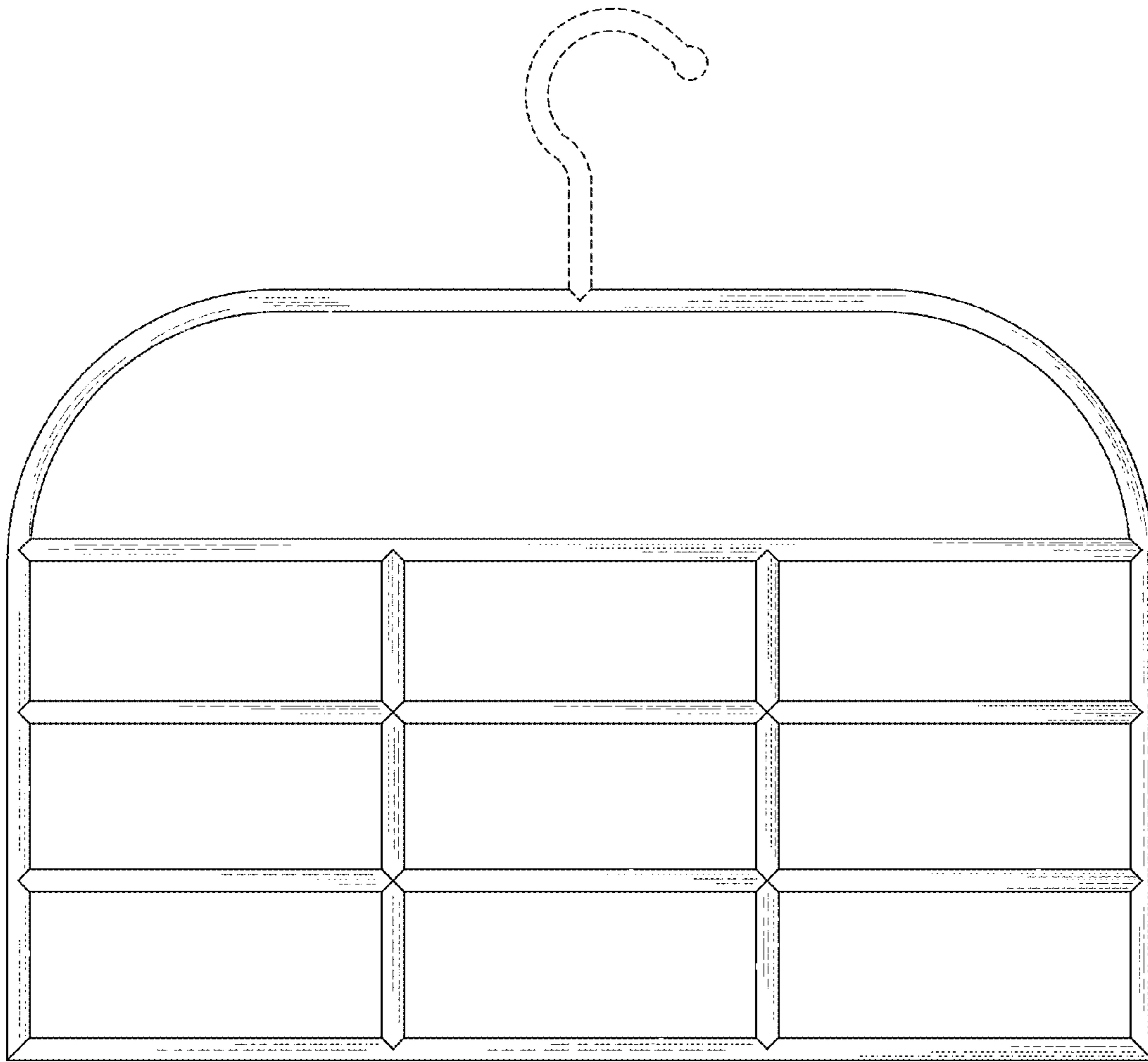


FIG. 3

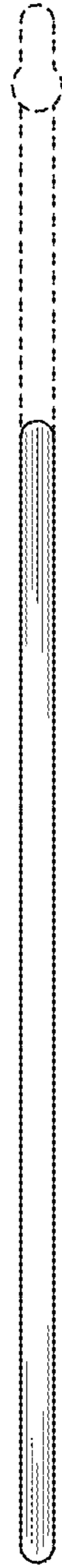


FIG. 4

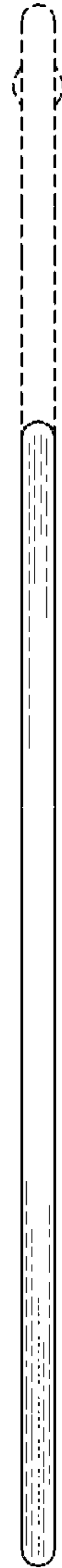


FIG. 5

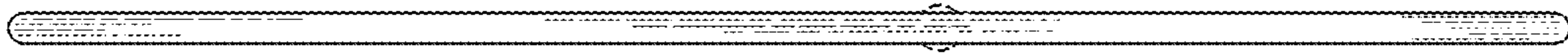


FIG. 6

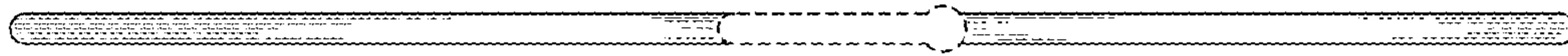


FIG. 7