



US00D765421S

(12) **United States Design Patent** (10) **Patent No.:** **US D765,421 S**  
**Cole** (45) **Date of Patent:** **\*\* Sep. 6, 2016**

(54) **COSMETICS BRUSH**

FOREIGN PATENT DOCUMENTS

(71) Applicant: **Becca Cosmetics**, New York, NY (US)

FR 2976463 A1 \* 12/2012 ..... A46B 9/021

(72) Inventor: **Kerry Cole**, Arlington, VA (US)

JP 1328476 S \* 4/2008

JP 1418706 S \* 7/2011

(73) Assignee: **Becca Cosmetics**, New York, NY (US)

OTHER PUBLICATIONS

(\*\*) Term: **14 Years**

Brushes by Karen, *Brushes Catalog*, 2007 [online], p. 16, Specialty Brushes, Kabukis, Dusters, & Wooden Series—Item Nos. SWFF, R413, R412 & M412 [retrieved on Aug. 25, 2009] Retrieved from the Internet using Web Archive: <URL: [http://web.archive.org/web/\\*/http://www.brushesbykaren.com](http://web.archive.org/web/*/http://www.brushesbykaren.com)>.\*

(21) Appl. No.: **29/467,909**

(22) Filed: **Sep. 25, 2013**

\* cited by examiner

(51) **LOC (10) Cl.** ..... **04-02**

(52) **U.S. Cl.**

USPC ..... **D4/135**

(58) **Field of Classification Search**

USPC ..... D4/132, 135, 138; 15/143.1, 159.1, 15/160, 191.1–193; 132/218, 313, 317, 132/320; D7/393, 395

CPC ..... A46B 5/02; A46B 5/021; A46B 5/023;

A46B 9/021; A46B 2200/1033; A46B

2200/1046; A46B 2200/30; A46B 2200/302;

A46B 2200/3026; A46B 2200/3033

See application file for complete search history.

*Primary Examiner* — Robert M Spear

*Assistant Examiner* — John Voytek

(74) *Attorney, Agent, or Firm* — Michael Best & Friedrich LLP

(57) **CLAIM**

I claim the ornamental design for a cosmetics brush, as shown and described.

(56) **References Cited**

**DESCRIPTION**

U.S. PATENT DOCUMENTS

D161,641 S \* 1/1951 Newman ..... D4/121

6,026,824 A \* 2/2000 Gueret ..... A45D 40/267

132/218

6,076,531 A \* 6/2000 Gueret ..... A45D 40/267

132/218

6,505,632 B1 \* 1/2003 Toll et al. .... A45D 34/046

132/218

6,932,220 B2 \* 8/2005 Byun ..... A45D 33/006

132/287

D588,819 S \* 3/2009 Kwapis ..... D4/135

2012/0103361 A1 \* 5/2012 Geuther ..... A45D 40/26

132/218

FIG. 1 is a perspective view of a cosmetics brush embodying the invention;

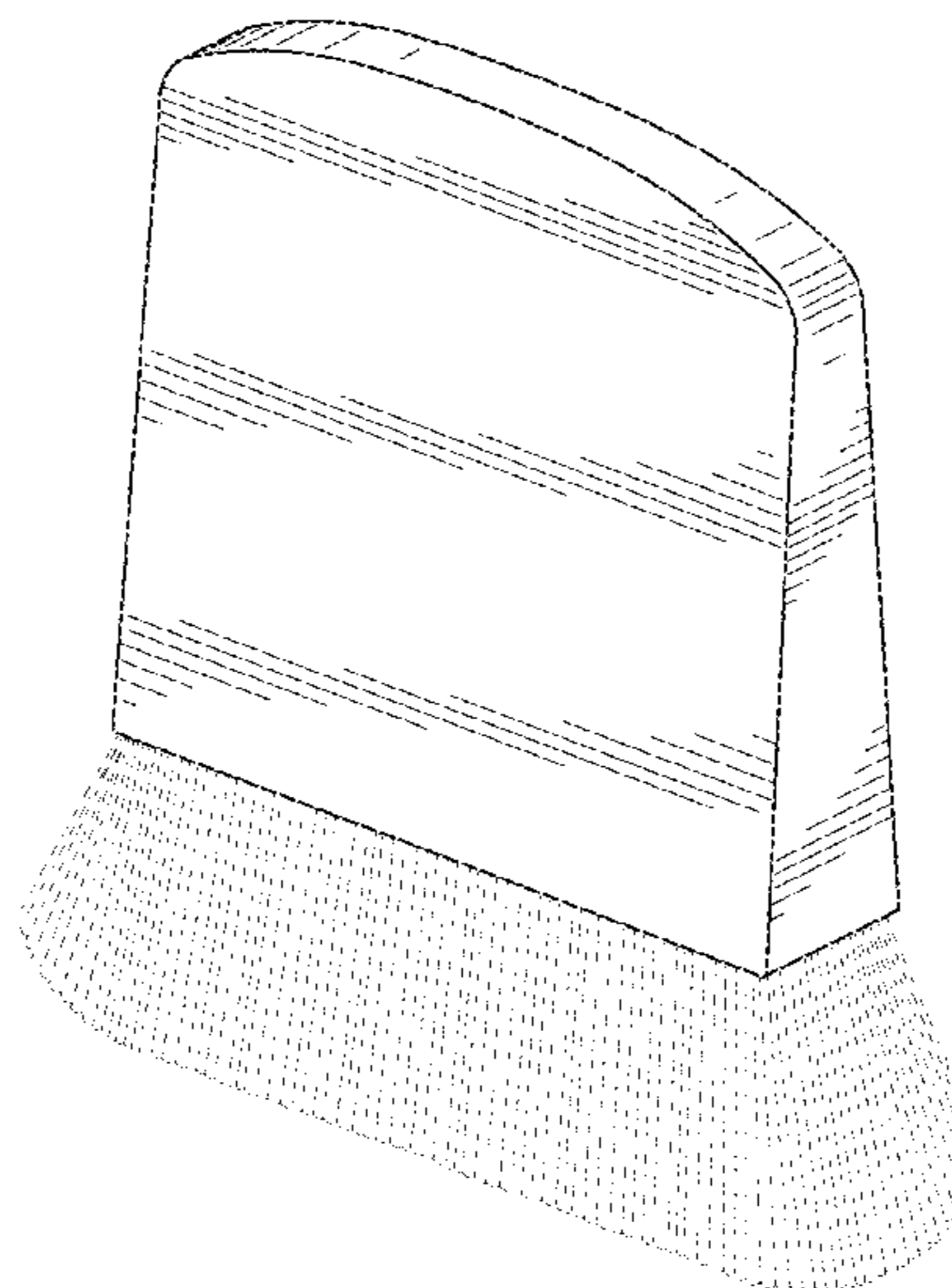
FIG. 2 is a front view of the cosmetics brush of FIG. 1;

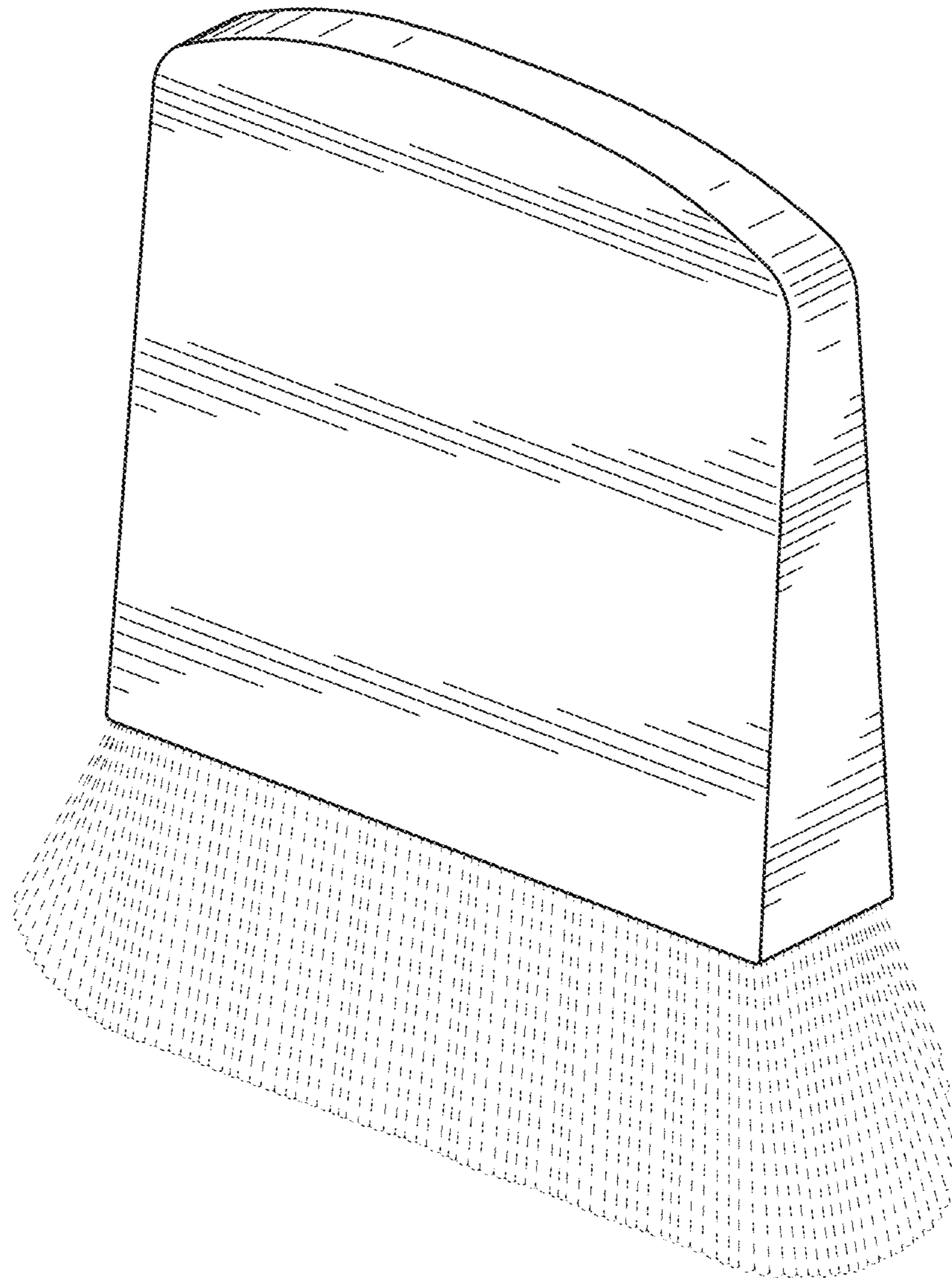
FIG. 3 is a left side view of the cosmetics brush of FIG. 1; and,

FIG. 4 is a top view of the cosmetics brush of FIG. 1.

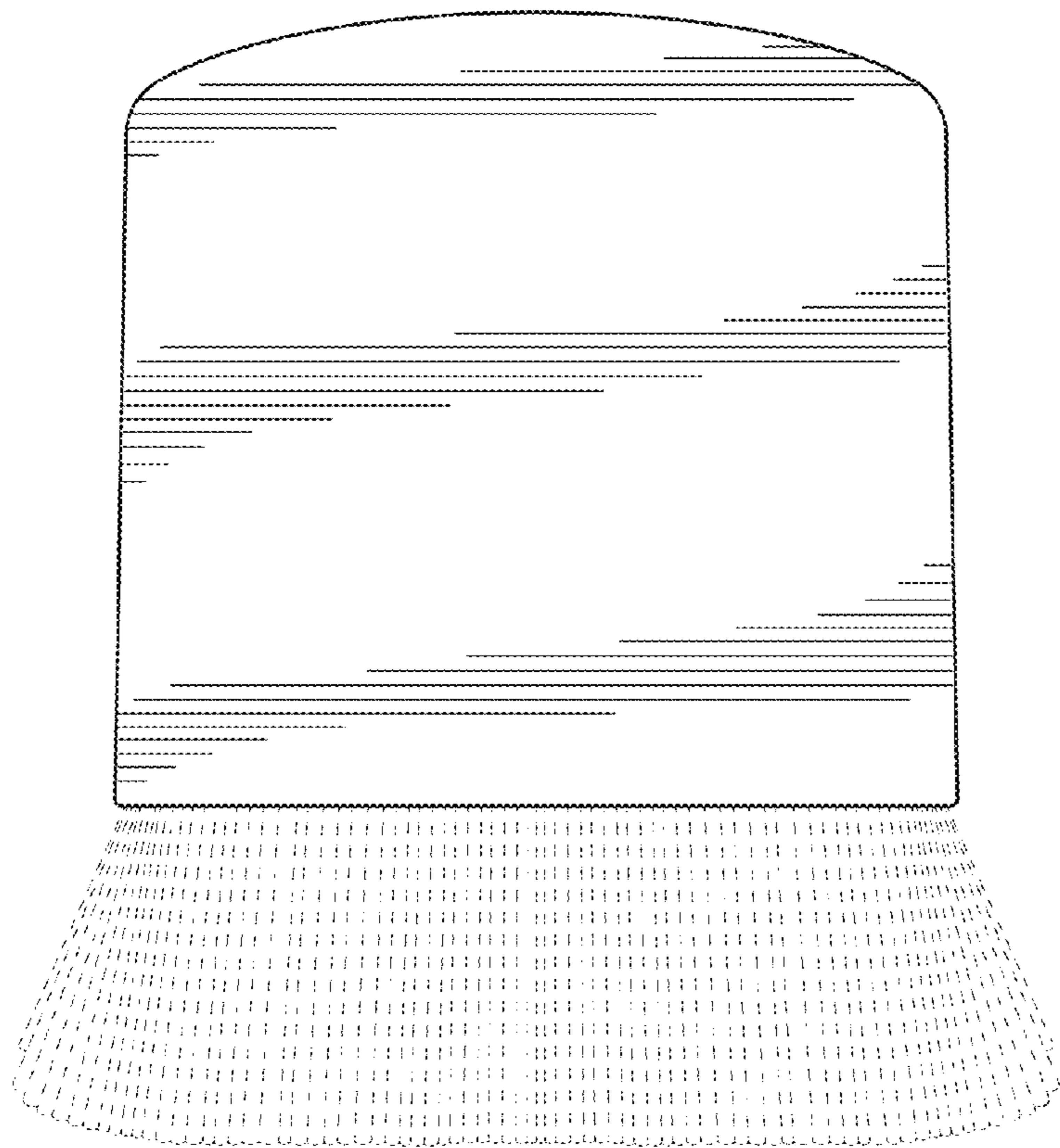
The broken lines showing the bristles are included for the purpose of illustrating portions of the cosmetic brush that form no part of the claimed design.

**1 Claim, 2 Drawing Sheets**

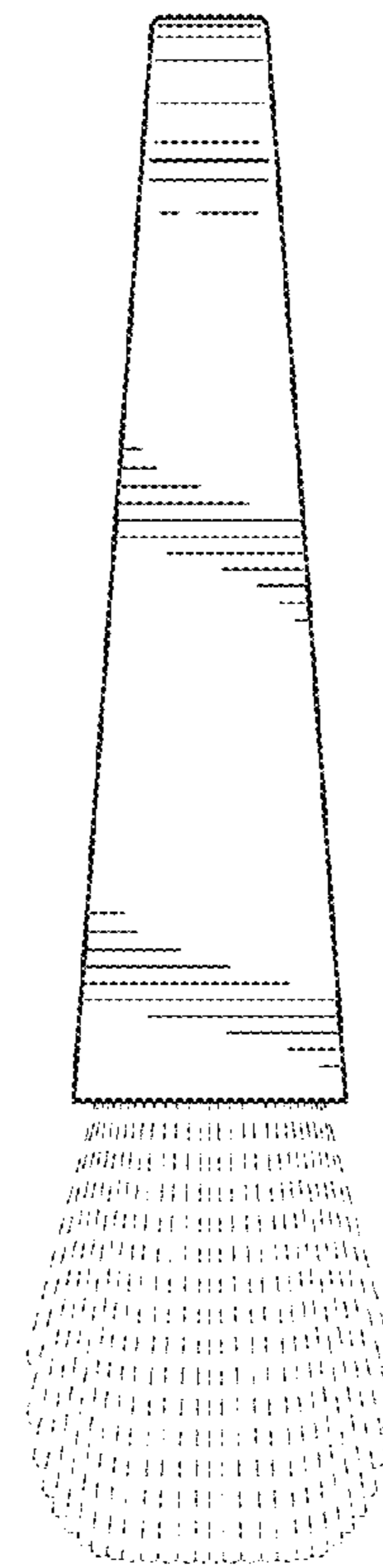




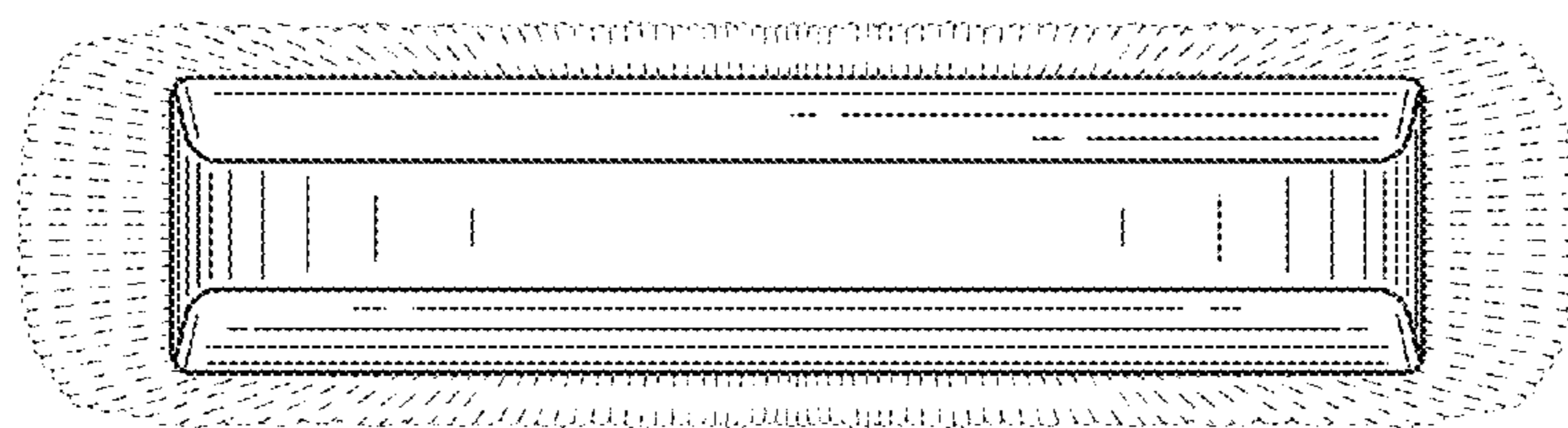
**FIG. 1**



**FIG. 2**



**FIG. 3**



**FIG. 4**