



US00D765418S

(12) **United States Design Patent**
Lin et al.

(10) **Patent No.:** **US D765,418 S**

(45) **Date of Patent:** **** Sep. 6, 2016**

(54) **TWO-IN-ONE BRUSH**

(71) Applicants: **Zhijun Lin**, Ningbo (CN); **Haiyan Lin**, Ningbo (CN)

(72) Inventors: **Zhijun Lin**, Ningbo (CN); **Haiyan Lin**, Ningbo (CN)

(73) Assignee: **ZHIJUN LIN** (CN)

(**) Term: **14 Years**

(21) Appl. No.: **29/522,375**

(22) Filed: **Mar. 30, 2015**

(30) **Foreign Application Priority Data**

Jan. 29, 2015 (CN) 2015 3 0027763

(51) **LOC (10) Cl.** **04-03**

(52) **U.S. Cl.**
USPC **D4/119**

(58) **Field of Classification Search**
USPC D4/119, 101, 106, 104, 128, 120, 131;
D32/35, 14.1; D7/643; 15/110, 143.1;
100/907

CPC A46B 7/04; A46B 5/02; A47L 13/022
See application file for complete search history.

(56) **References Cited**

U.S. PATENT DOCUMENTS

2,807,820 A * 10/1957 Dinhofer A46B 7/04
15/110
2,813,291 A * 11/1957 Wark A47L 13/022
100/907
D232,278 S * 8/1974 Gallo D4/101
D273,153 S * 3/1984 Wagner D4/106

D288,148 S * 2/1987 Malgrain D4/104
4,654,921 A * 4/1987 Dinner A46B 5/02
15/143.1
D311,454 S * 10/1990 Rethman D4/106
D321,092 S * 10/1991 Woll D4/106
D325,472 S * 4/1992 Premack D4/128
D556,457 S * 12/2007 Ajootian D4/120
D664,361 S * 7/2012 Edmondson D4/128
D690,945 S * 10/2013 Williams D4/128
D693,188 S * 11/2013 Smith D7/643
D735,958 S * 8/2015 Koptis D32/14.1
D752,833 S * 3/2016 Espin D32/35
D752,880 S * 4/2016 Phipps D4/131

* cited by examiner

Primary Examiner — Holly Baynham

Assistant Examiner — Rhea Shields

(74) *Attorney, Agent, or Firm* — Marger Johnson

(57) **CLAIM**

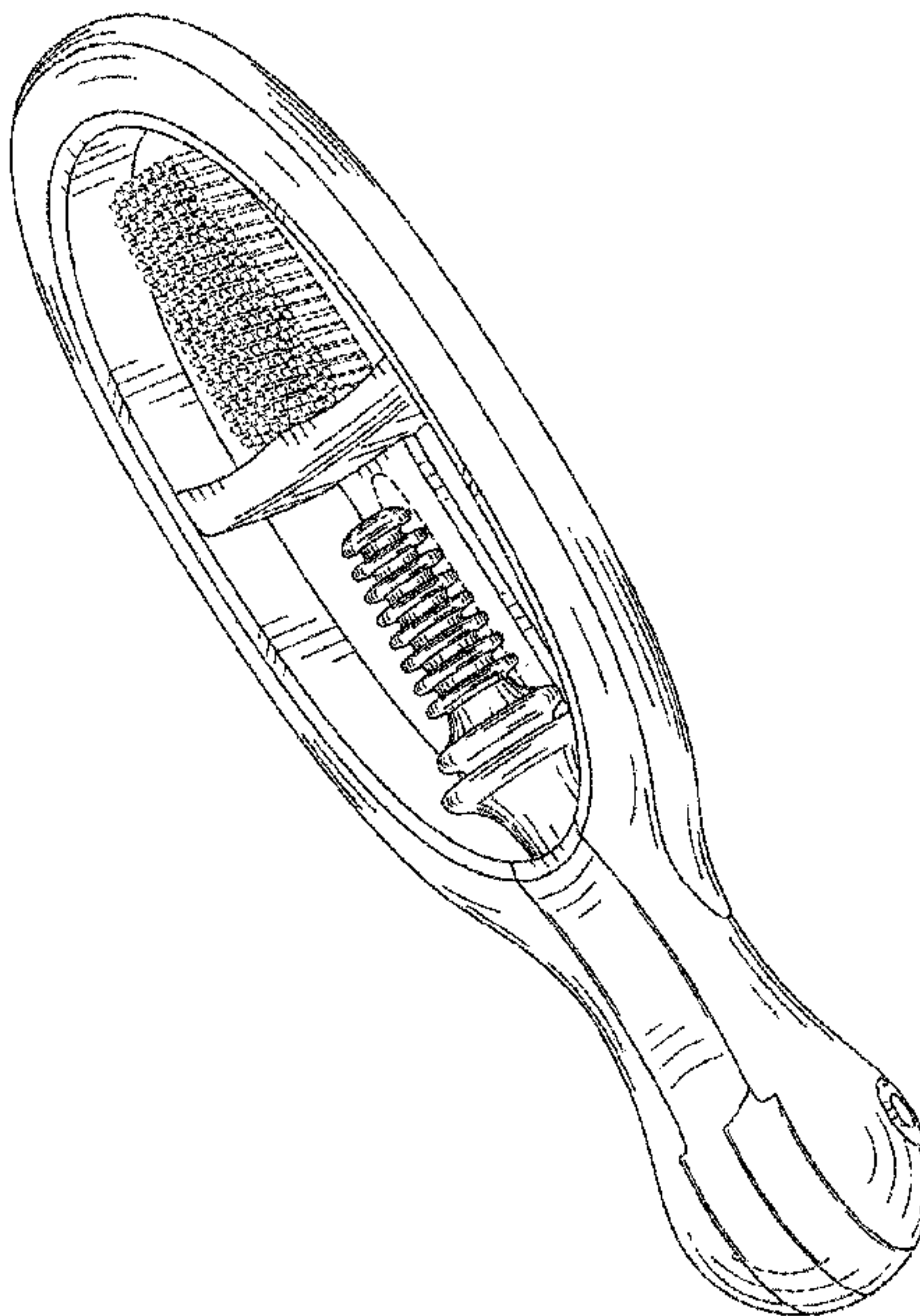
The ornamental design for a two-in-one brush, as shown and described.

DESCRIPTION

FIG. 1 is a first perspective view for a two-in-one brush;
FIG. 2 is a second perspective view thereof;
FIG. 3 is a third perspective view thereof;
FIG. 4 is a front view thereof;
FIG. 5 is a rear view thereof;
FIG. 6 is a top view thereof;
FIG. 7 is a bottom view thereof;
FIG. 8 is a left view thereof; and,
FIG. 9 is a right view thereof.

In the drawings, the broken lines are for the purpose of illustrating environment only and form no part of the claimed design.

1 Claim, 8 Drawing Sheets



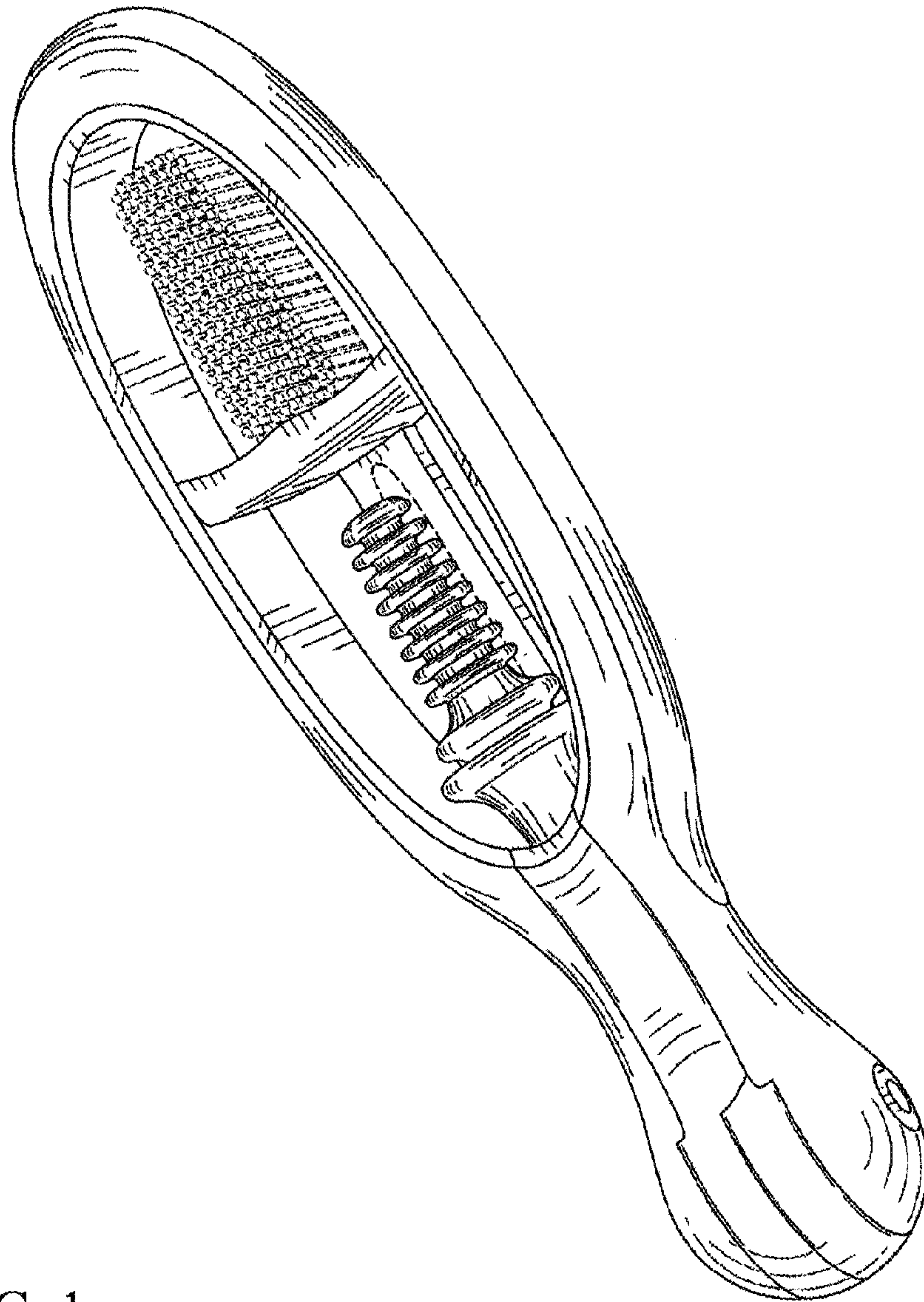


FIG. 1

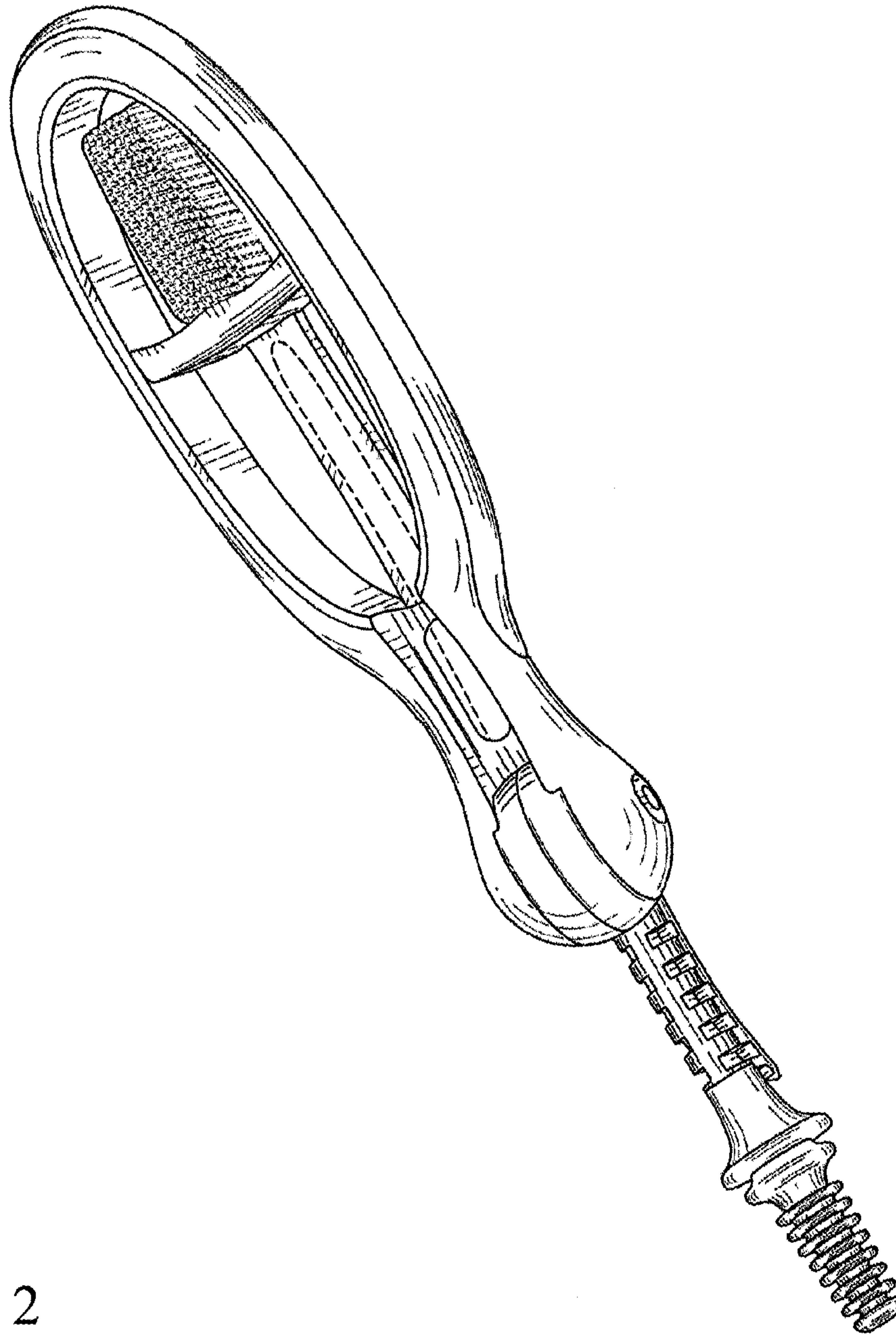


FIG. 2

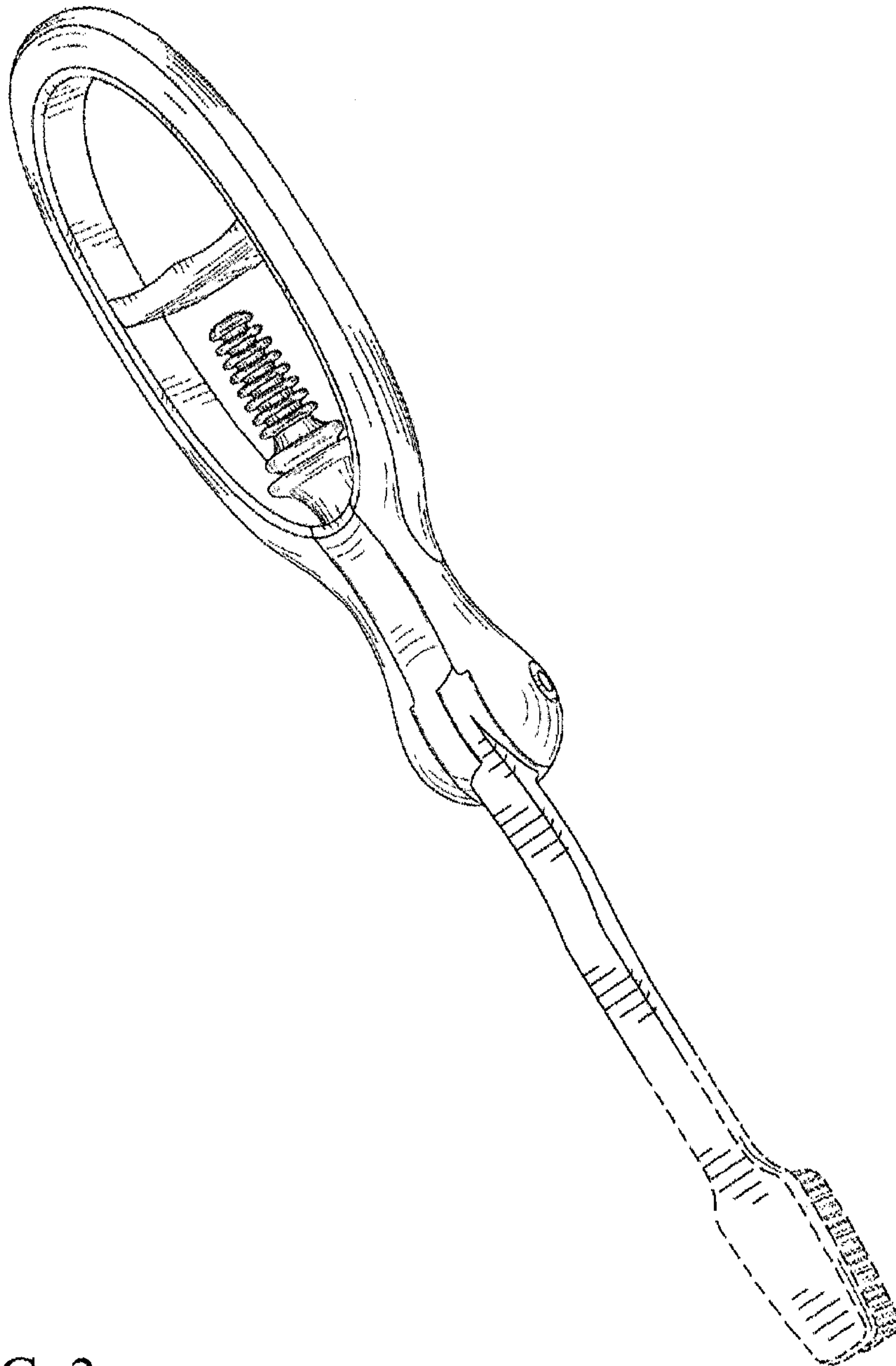


FIG. 3

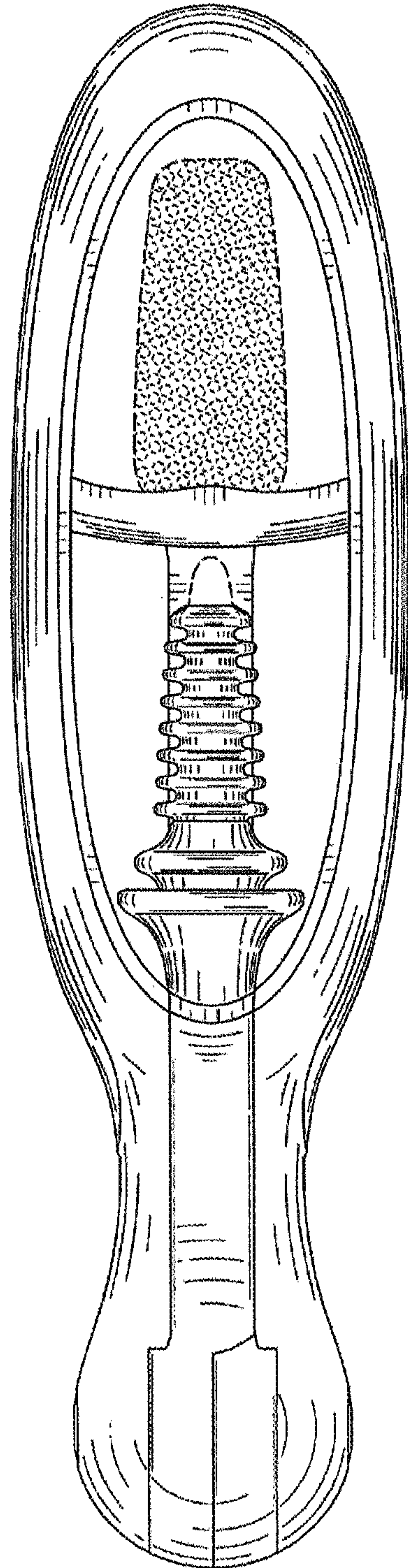


FIG. 4

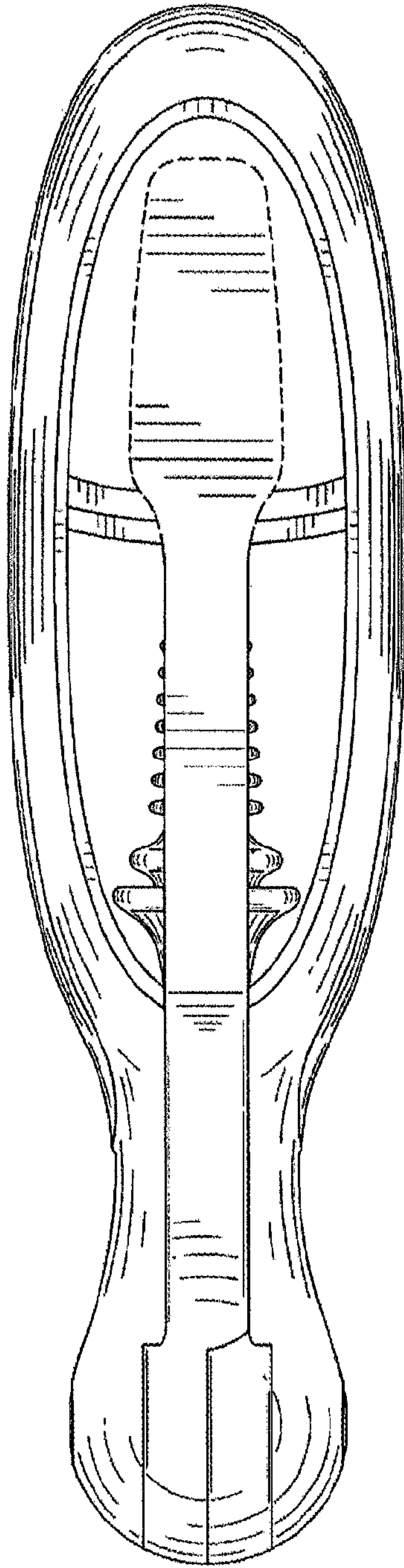


FIG. 5

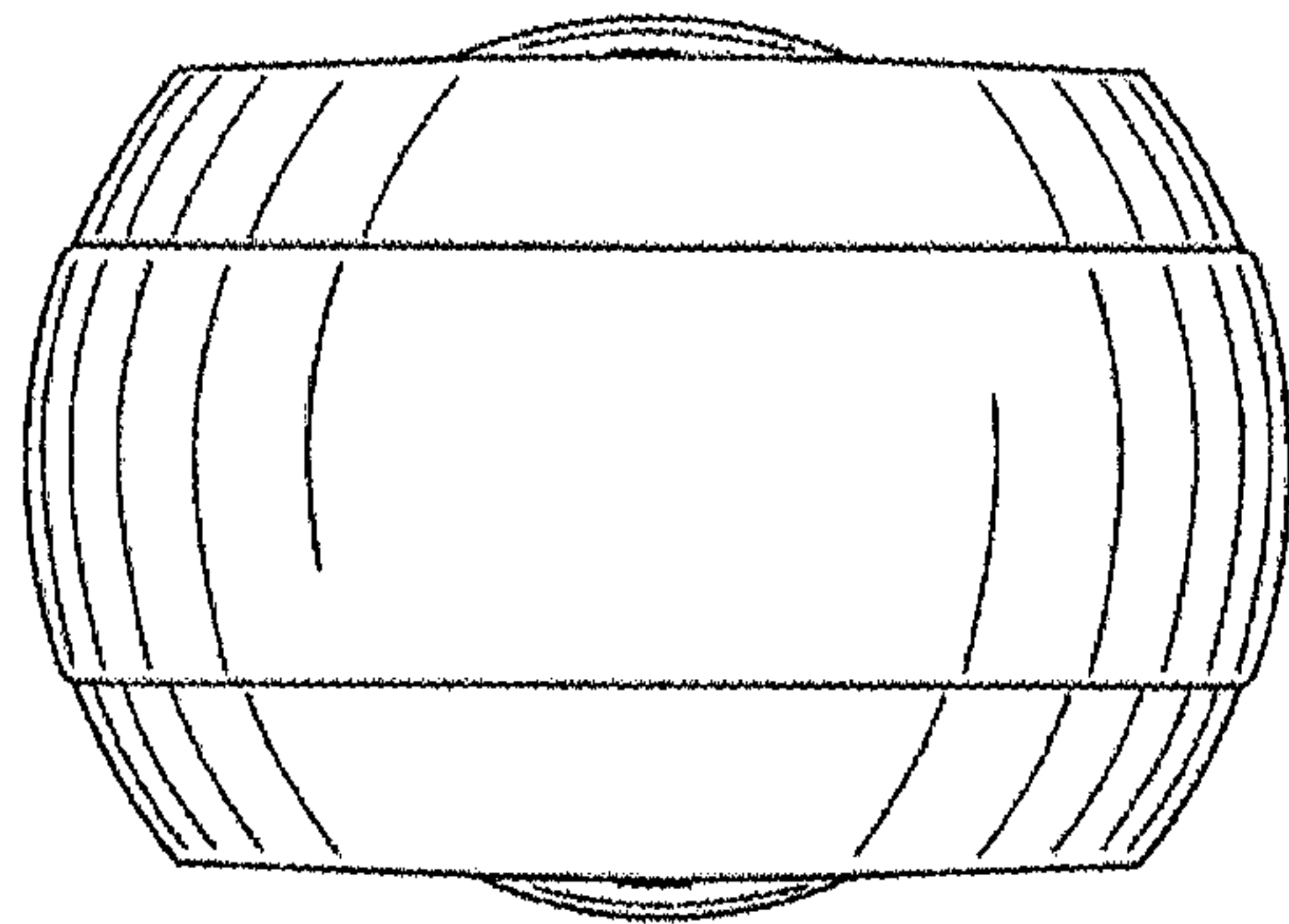


FIG. 6

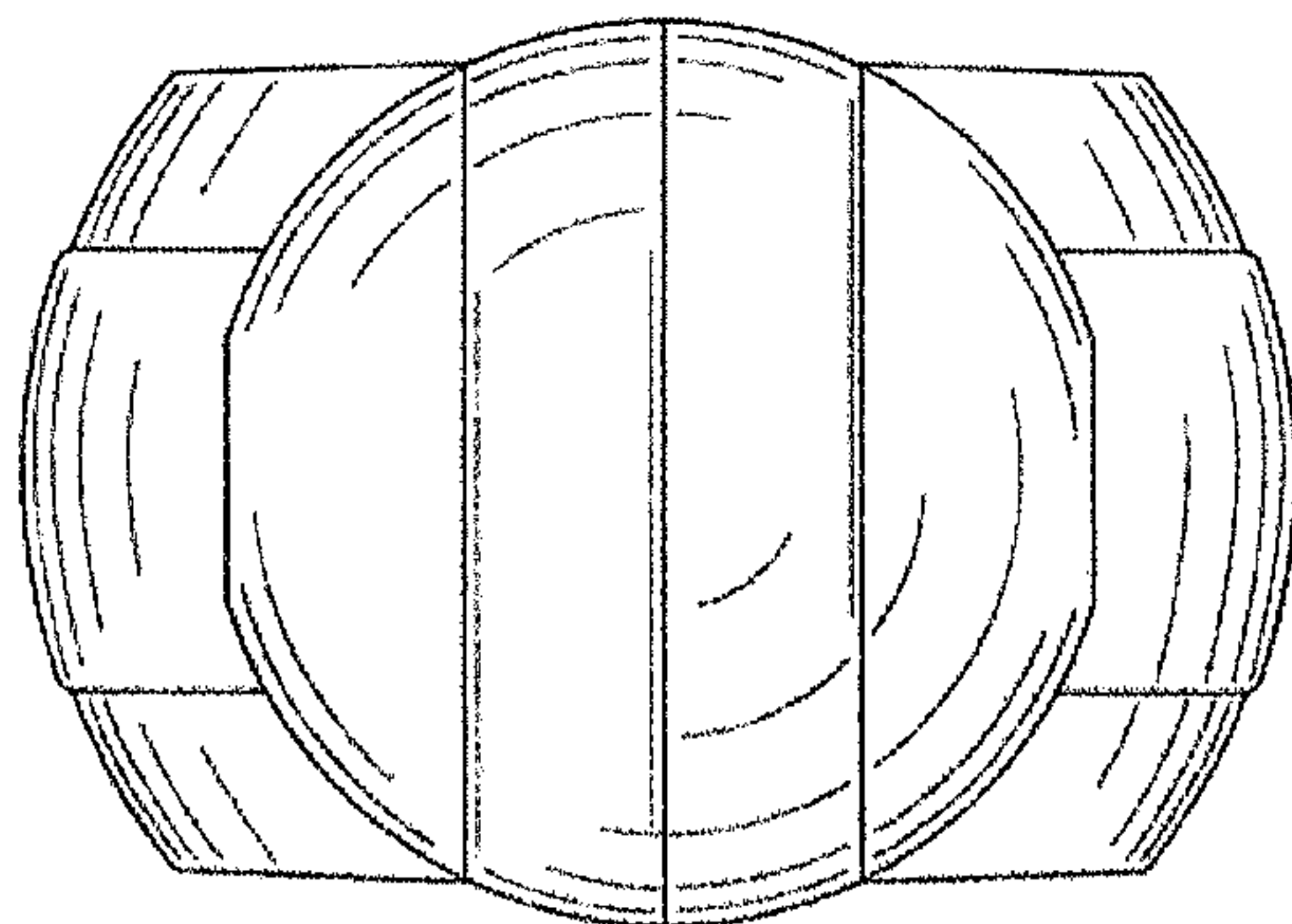


FIG. 7

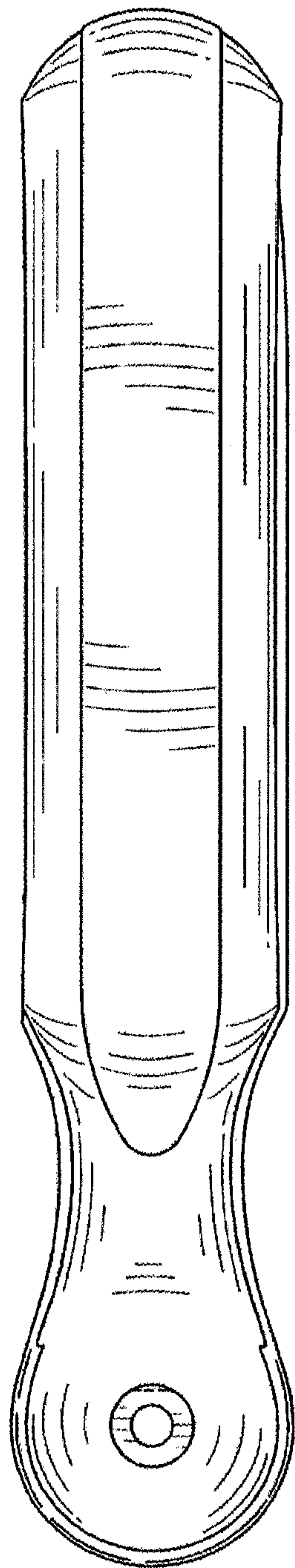


FIG. 8

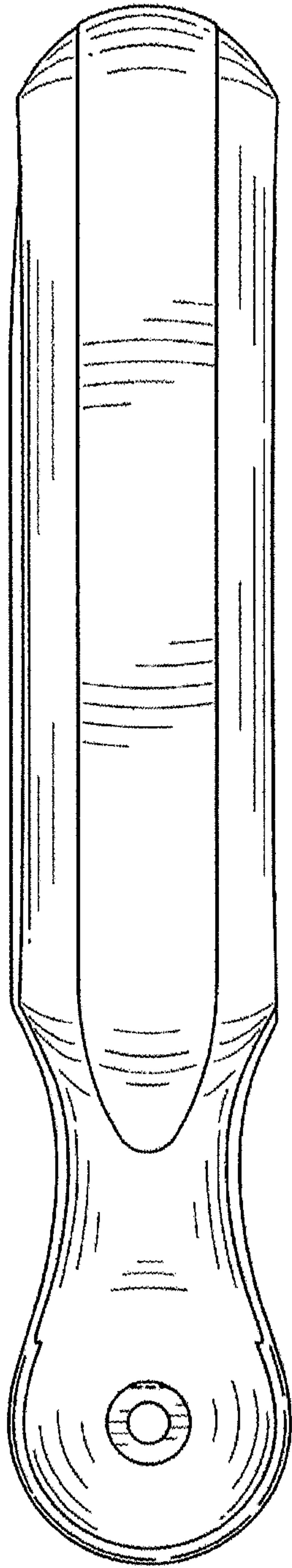


FIG. 9