

US00D765413S

(12) **United States Design Patent**  
**Derr**

(10) **Patent No.:** **US D765,413 S**  
(45) **Date of Patent:** **\*\* Sep. 6, 2016**

(54) **SPECIALIZED STRAP WITH A  
SPECIALIZED CINCHING MECHANISM**

D741,067 S \* 10/2015 Votel ..... D3/327

\* cited by examiner

(71) Applicant: **Dedric Michal Derr**, Oklahoma City,  
OK (US)

*Primary Examiner* — Holly Baynham

(72) Inventor: **Dedric Michal Derr**, Oklahoma City,  
OK (US)

(57) **CLAIM**

The ornamental design for a specialized strap with a spe-  
cialized cinching mechanism, as shown and described.

(\*\*) Term: **14 Years**

**DESCRIPTION**

(21) Appl. No.: **29/523,719**

FIG. 1 is a perspective view of a specialized strap with a  
specialized cinching mechanism showing my new design;  
FIG. 2 is a front elevational view thereof;  
FIG. 3 is a rear elevational view thereof;  
FIG. 4 is a left side elevational view thereof;  
FIG. 5 is a right side elevational view thereof;  
FIG. 6 is a top plan view thereof;  
FIG. 7 is a bottom plan view thereof;  
FIG. 8 is an exploded view thereof;  
FIG. 9 is a perspective view thereof, revealing the separation  
of a cinching device, with a nut pulled away from a hanging  
device; and  
FIG. 10 is a perspective view thereof, revealing a cinching  
device pulled away from a hanging device; and,  
FIG. 11 is a perspective view of the specialized strap with a  
specialized cinching mechanism, showing the specialized  
strap with a specialized cinching mechanism engaged with  
a cell phone.

(22) Filed: **Apr. 13, 2015**

(51) **LOC (10) Cl.** ..... **03-01**

(52) **U.S. Cl.**  
USPC ..... **D3/327**

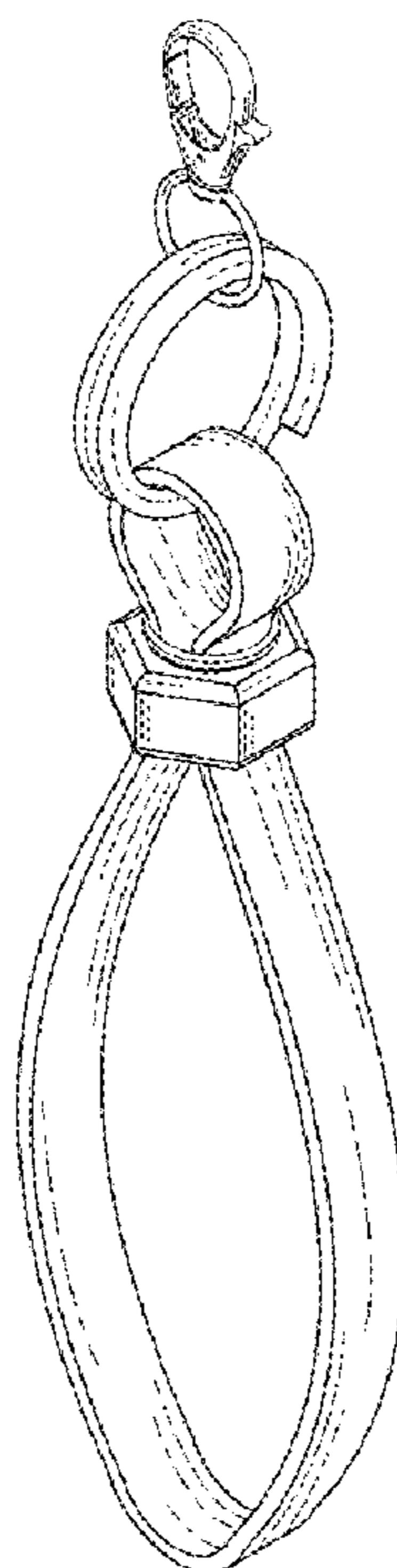
(58) **Field of Classification Search**  
USPC ..... D3/318, 327  
CPC ..... A45C 11/18; A45C 11/182  
See application file for complete search history.

(56) **References Cited**

U.S. PATENT DOCUMENTS

D462,523 S \* 9/2002 Kalbach ..... D3/327  
D623,861 S \* 9/2010 Kope ..... D3/327  
D734,742 S \* 7/2015 Fujioka ..... D14/217

**1 Claim, 11 Drawing Sheets**



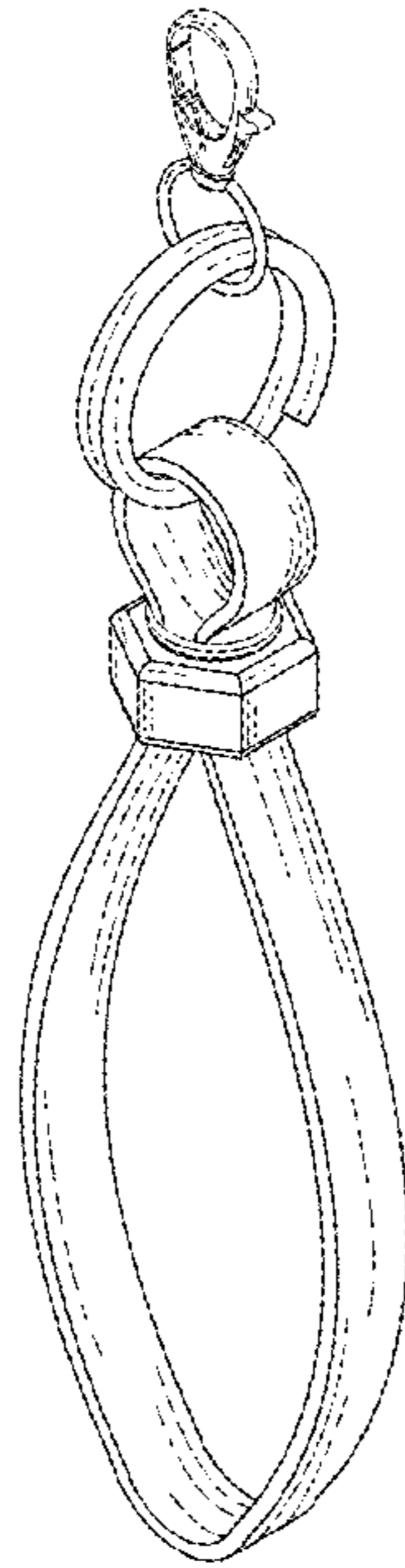


FIG. 1

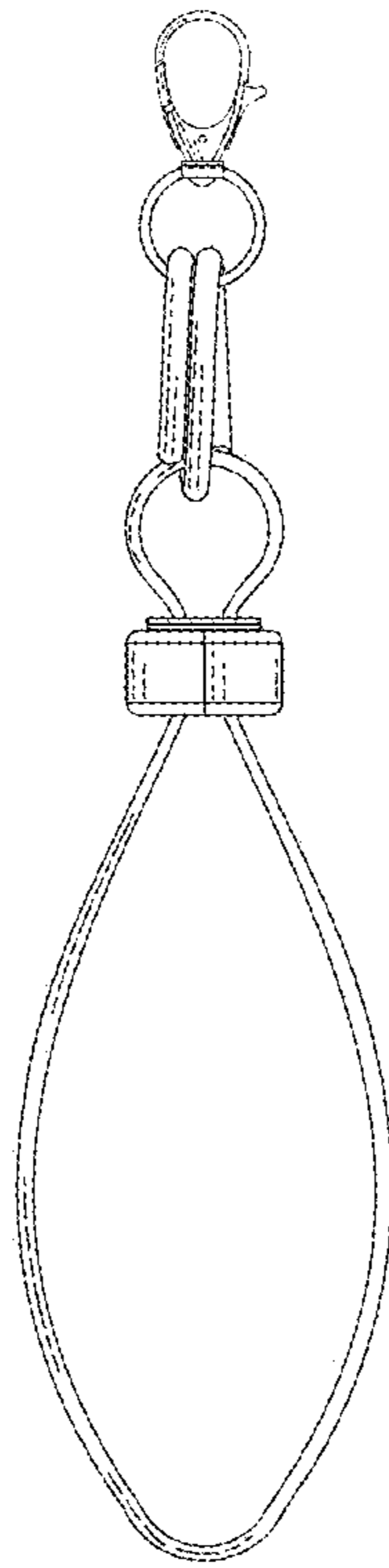


FIG. 2

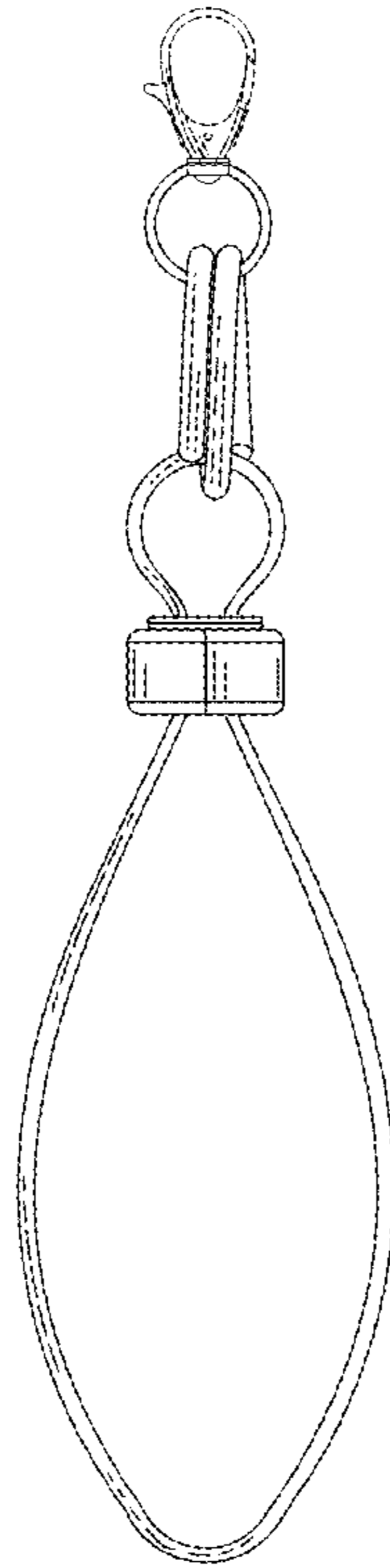


FIG. 3

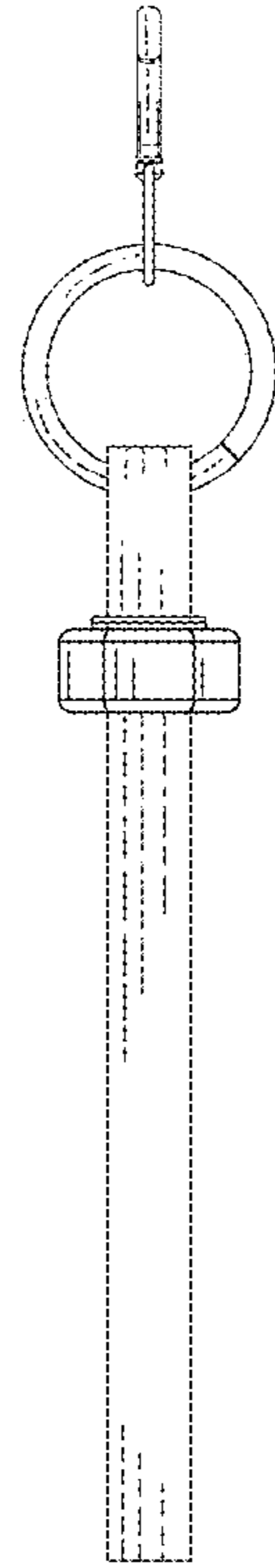


FIG. 4

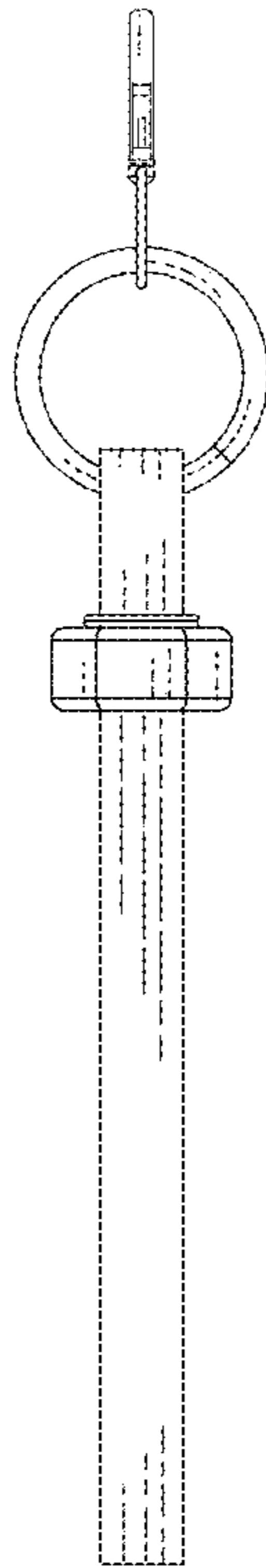


FIG. 5

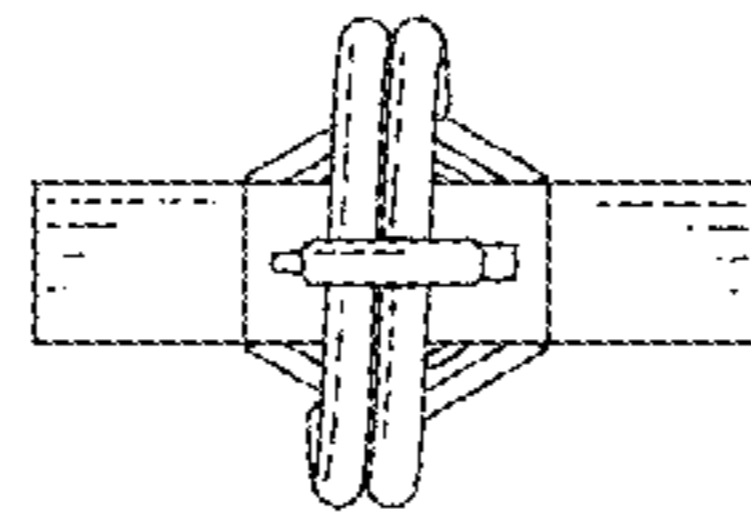


FIG. 6

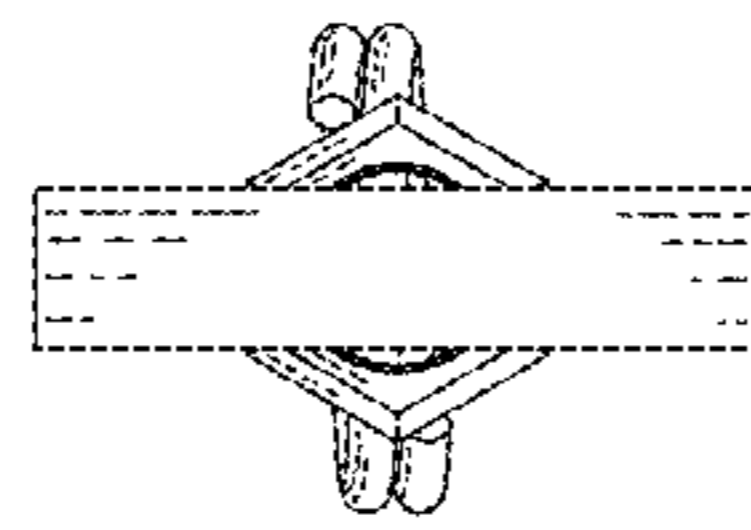


FIG. 7



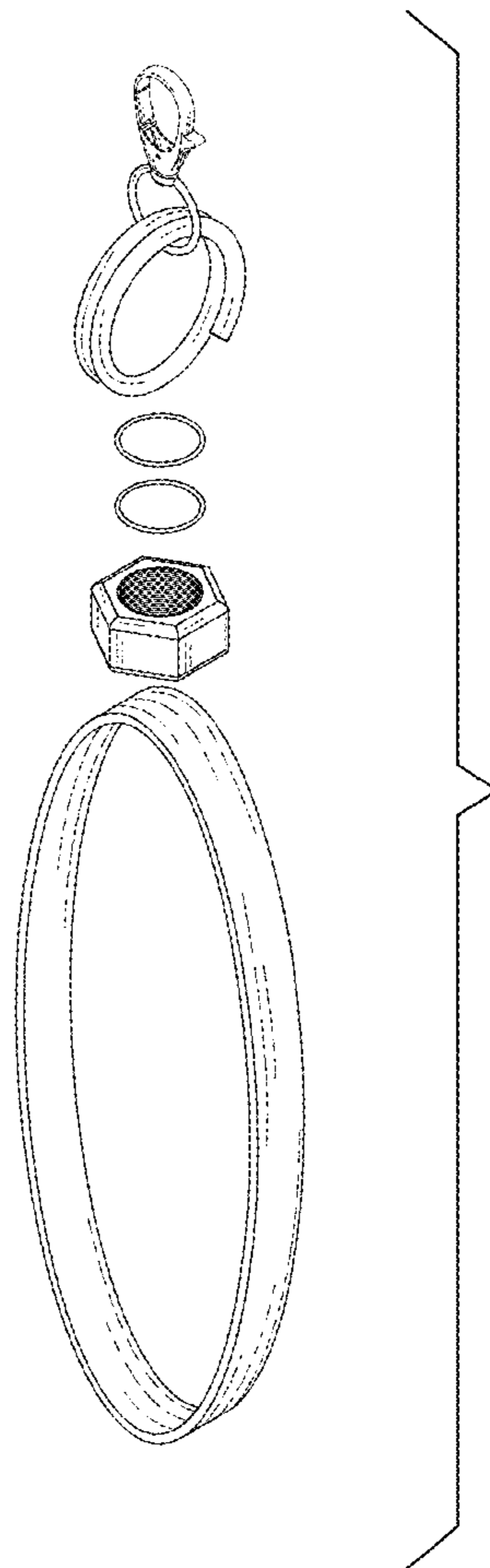


FIG. 8

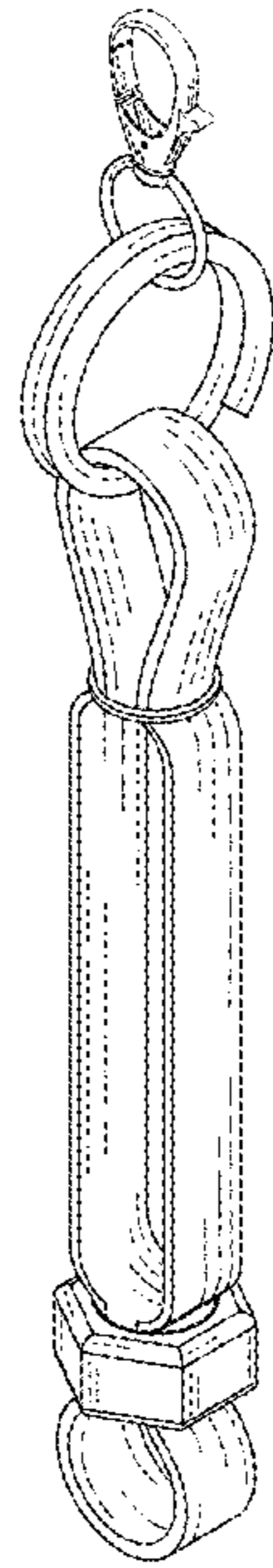


FIG. 9

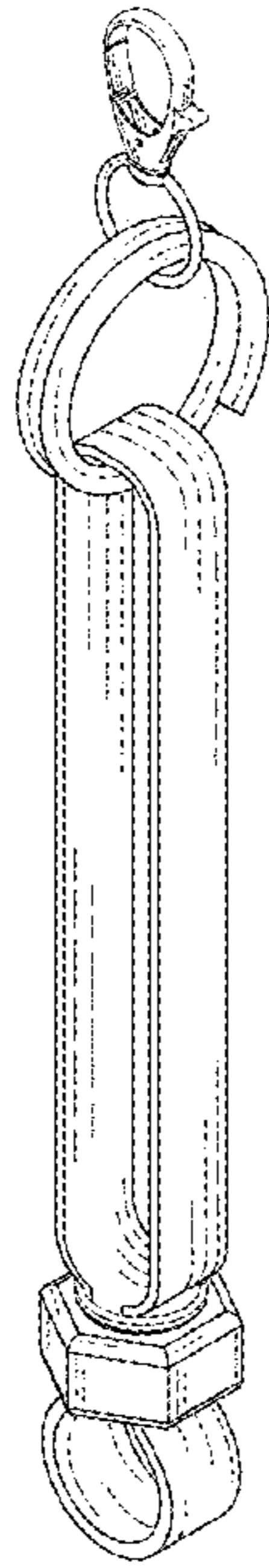


FIG. 10

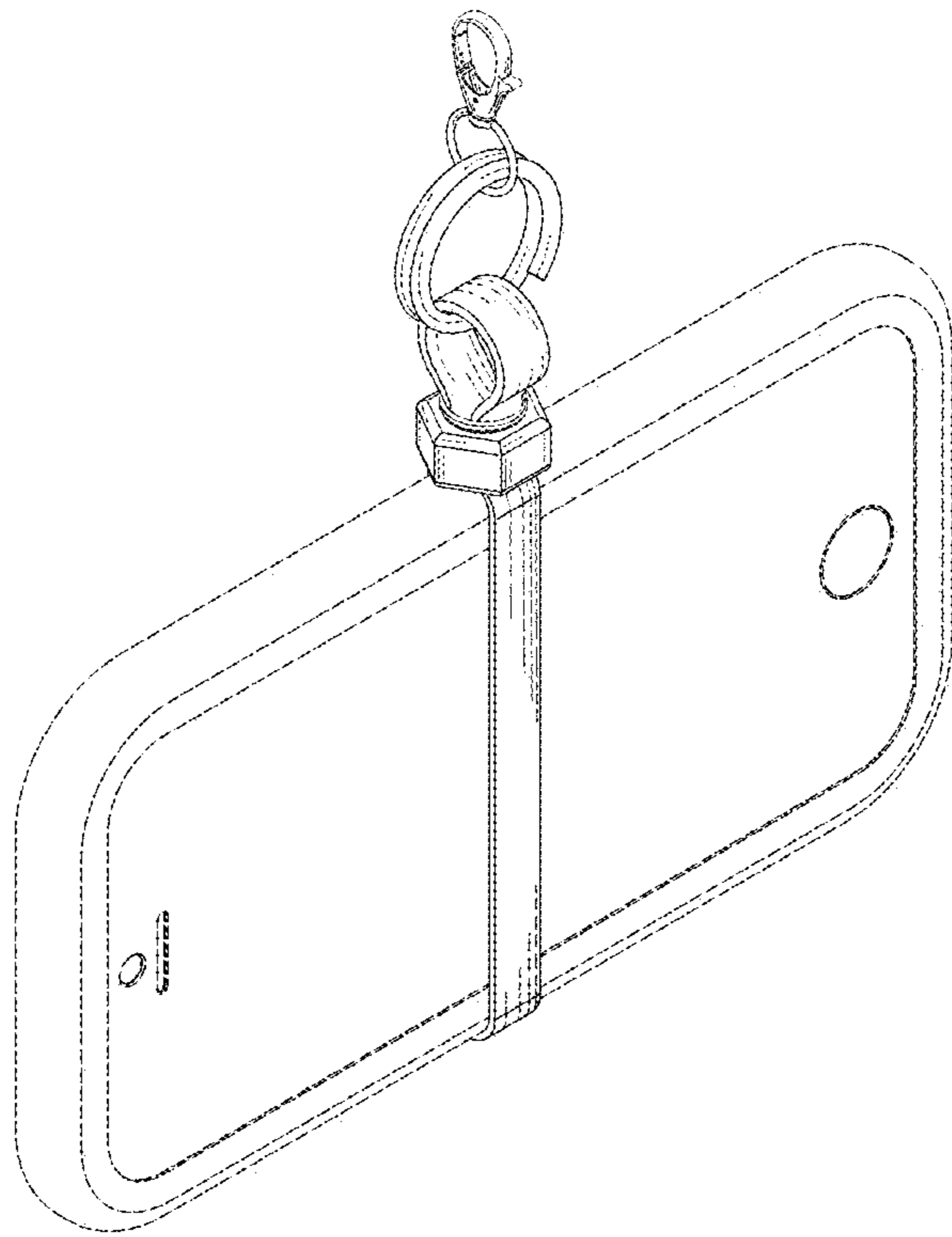


FIG. 11