



US00D765409S

(12) **United States Design Patent**  
**Reinhart**

(10) **Patent No.:** **US D765,409 S**

(45) **Date of Patent:** **\*\* Sep. 6, 2016**

(54) **MEDIUM TOTE LID WITH GUIDES**

D682,553 S \* 5/2013 Jurich ..... D3/318  
D744,239 S 12/2015 Reinhart  
D744,240 S 12/2015 Reinhart

(71) Applicant: **Creative Plastic Concepts, LLC,**  
Sycamore, OH (US)

\* cited by examiner

(72) Inventor: **Nickolas Reinhart,** Findlay, OH (US)

*Primary Examiner* — Holly Baynham

(73) Assignee: **CREATIVE PLASTIC CONCEPTS, LLC,** Sycamore, OH (US)

(74) *Attorney, Agent, or Firm* — Fraser Clemens Martin & Miller LLC; Jacob M. Ward

(\*\*) Term: **15 Years**

(57) **CLAIM**

The ornamental design for a medium tote lid with guides, as shown and described.

(21) Appl. No.: **29/542,958**

**DESCRIPTION**

(22) Filed: **Oct. 20, 2015**

(51) **LOC (10) Cl.** ..... **03-01**

(52) **U.S. Cl.**  
USPC ..... **D3/318**

(58) **Field of Classification Search**  
USPC ..... D3/318  
CPC ..... B65D 85/16; B65D 1/22; B65D  
2543/00194; B65D 21/0209; B65D  
2543/00296; B62B 2206/006  
See application file for complete search history.

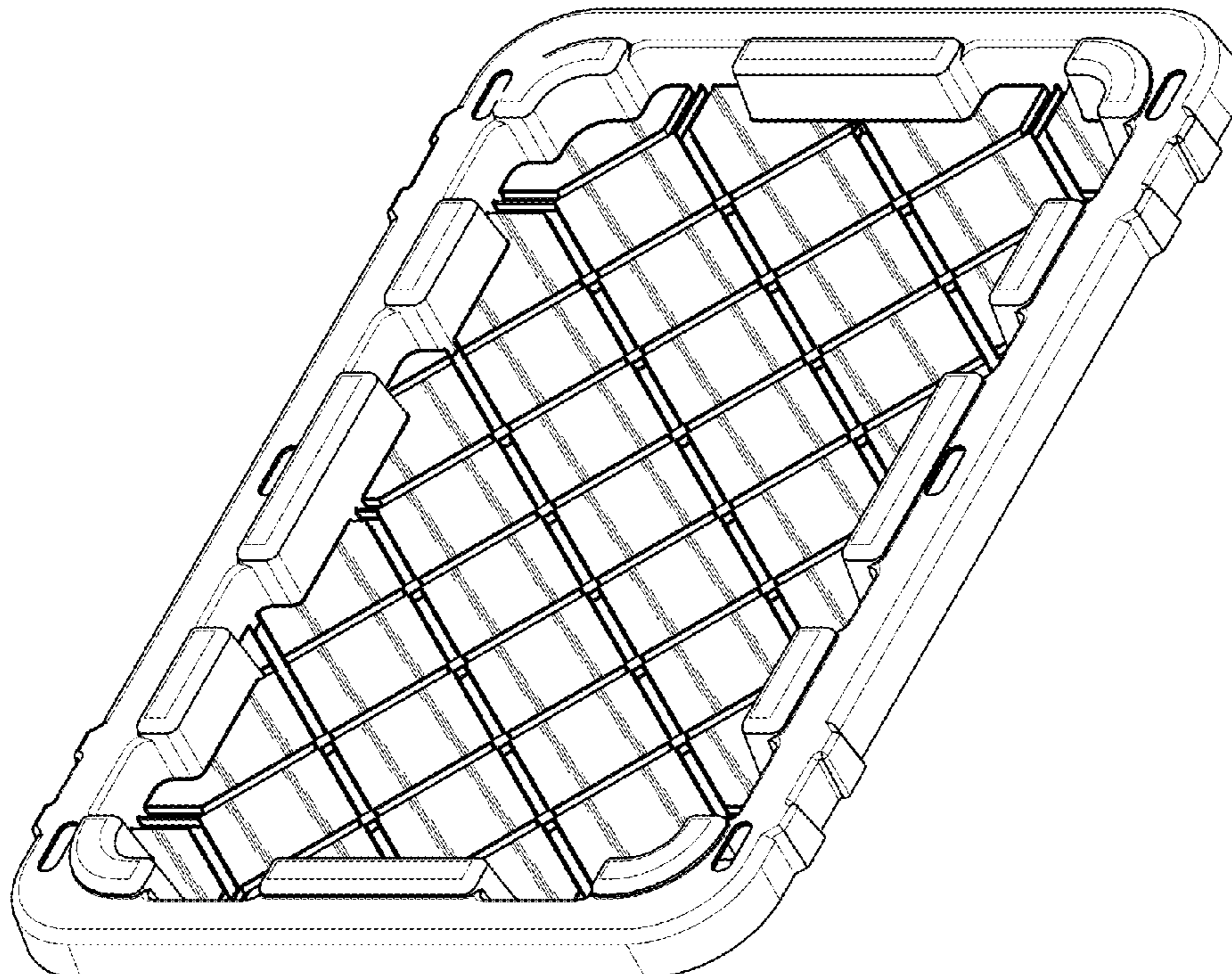
FIG. 1 is a top perspective view of a medium tote lid with guides;  
FIG. 2 is a bottom perspective view of the medium tote lid with guides of FIG. 1;  
FIG. 3 is a top plan view thereof;  
FIG. 4 is a bottom plan view thereof;  
FIG. 5 is a right side elevational view thereof; and,  
FIG. 6 is a front elevational view thereof.  
A left side elevational view is not shown because it is a mirror image of the right side elevational view shown in FIG. 5. A rear elevational view is not shown because it is a mirror image of the front elevational view shown in FIG. 6. The ornamental design which is claimed is shown in solid lines in the drawings.

(56) **References Cited**

U.S. PATENT DOCUMENTS

D596,849 S \* 7/2009 Billauer ..... D3/232  
D597,303 S \* 8/2009 Billauer ..... D3/232  
D648,538 S \* 11/2011 Reinhart ..... D3/318

**1 Claim, 3 Drawing Sheets**



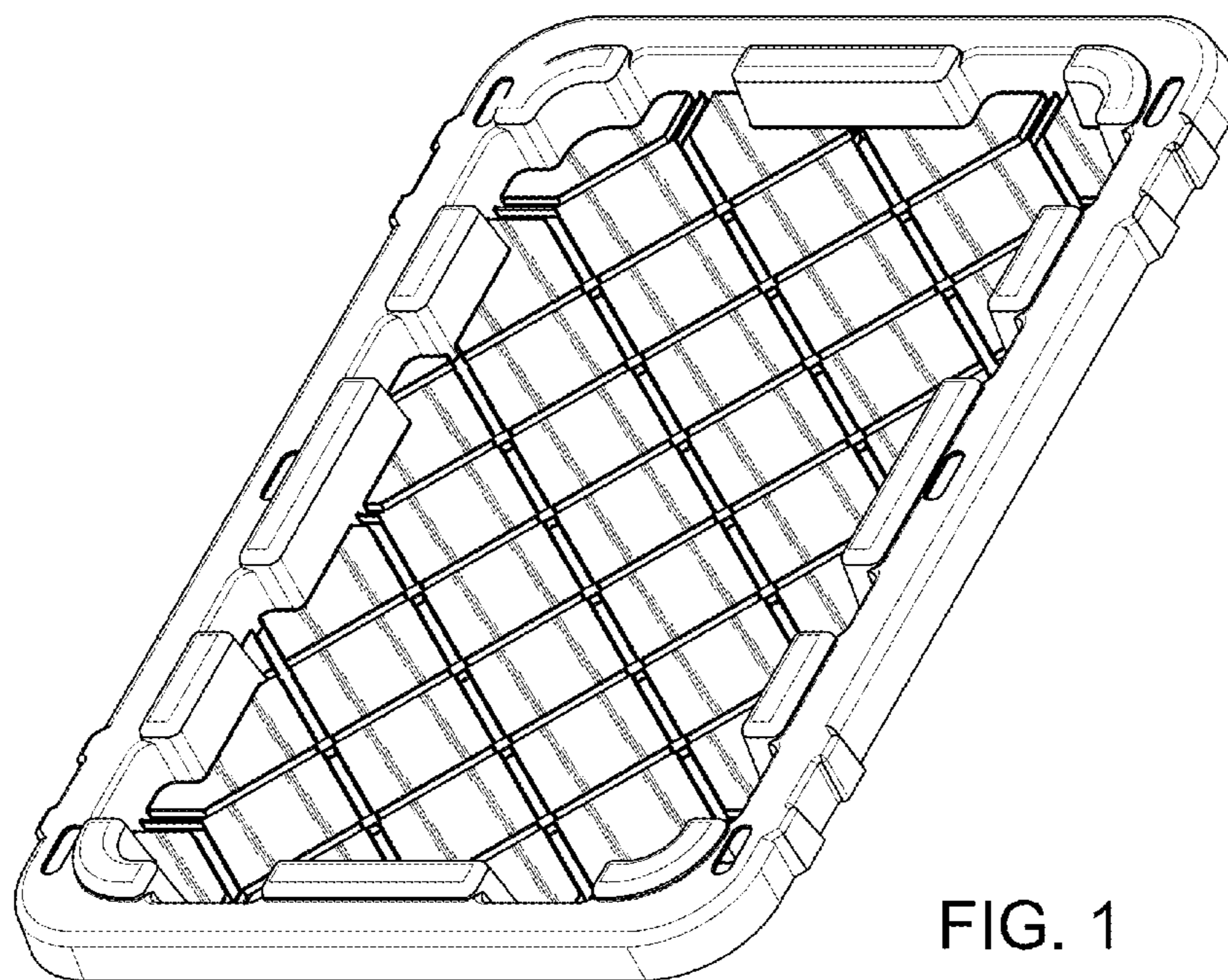


FIG. 1

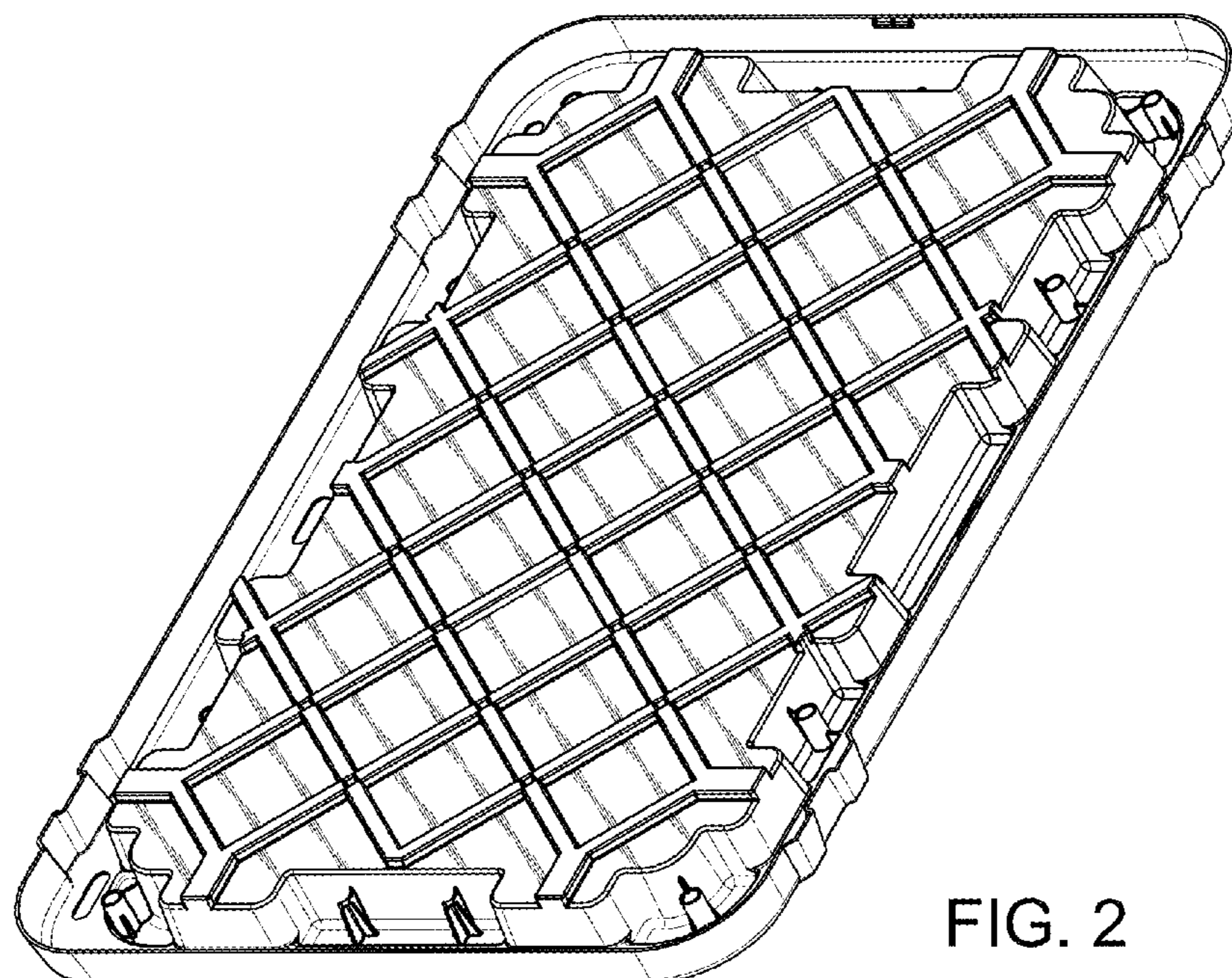


FIG. 2

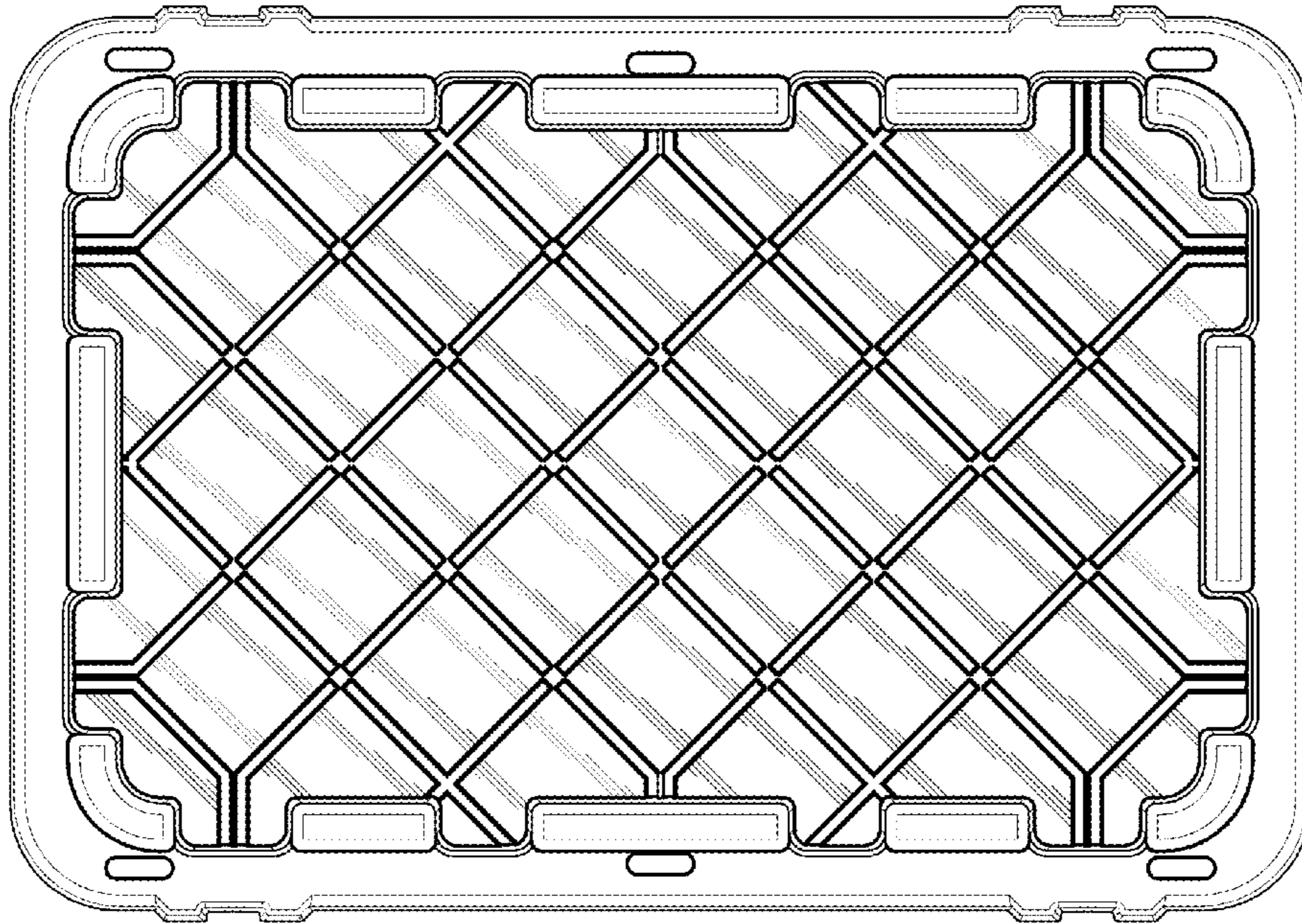


FIG. 3

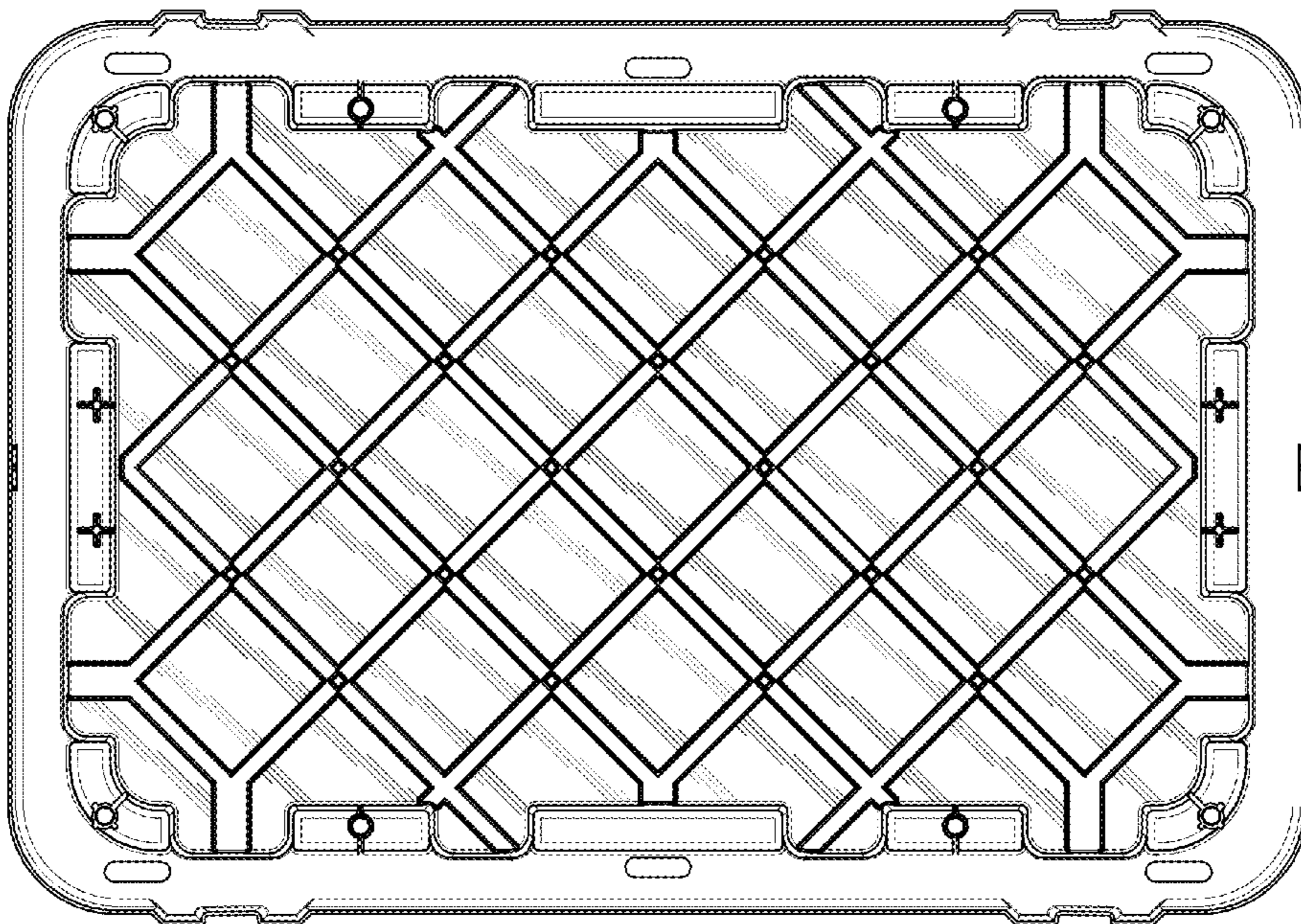


FIG. 4

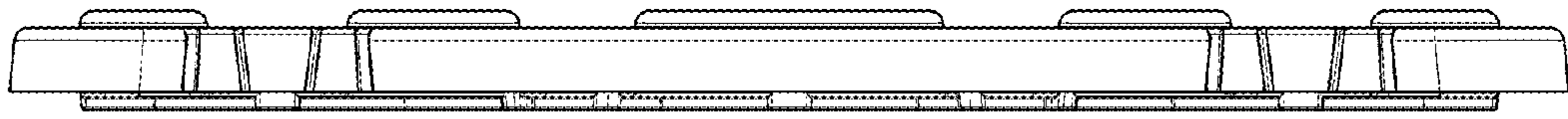


FIG. 5

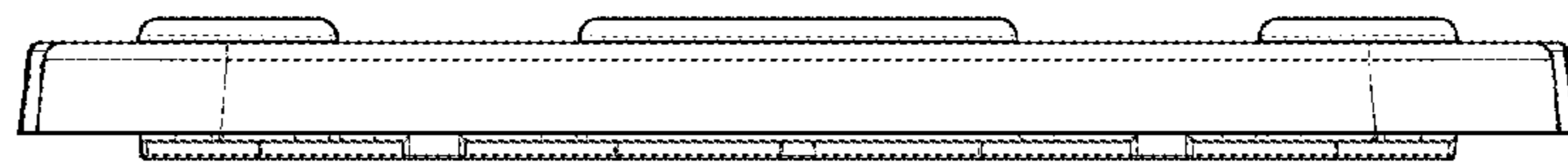


FIG. 6