

US00D765406S

(12) **United States Design Patent** (10) **Patent No.:** **US D765,406 S**
Faibish (45) **Date of Patent:** **** Sep. 6, 2016**

(54) **LID FOR A CONTAINER**

(56) **References Cited**

(71) Applicant: **The Stanley Works Israel Ltd.**, Rosh Ha' Ayin (IL)

(72) Inventor: **Abraham Faibish**, Jerusalem (IL)

(73) Assignee: **The Stanley Works Israel Ltd.**, Rosh Ha' Ayin (IL)

(**) Term: **14 Years**

(21) Appl. No.: **29/516,075**

(22) Filed: **Jan. 29, 2015**

(30) **Foreign Application Priority Data**

Aug. 1, 2014 (EP) 001417851

(51) **LOC (10) Cl.** **03-01**

(52) **U.S. Cl.**
USPC **D3/318**

(58) **Field of Classification Search**
USPC D3/272-273, 289, 294, 318
CPC B65D 25/32; B65D 43/0256; B65D 43/161;
B65D 50/046

See application file for complete search history.

U.S. PATENT DOCUMENTS

D382,112 S *	8/1997	Egan	D3/273
D393,369 S *	4/1998	Tanji	D3/323
D394,554 S *	5/1998	Mann	D3/323
D648,538 S *	11/2011	Reinhart	D3/318
8,839,975 B2 *	9/2014	Luburic	B65D 25/32 220/254.3

* cited by examiner

Primary Examiner — Holly Baynham

(74) *Attorney, Agent, or Firm* — Gabriel A. Haboubi

(57) **CLAIM**

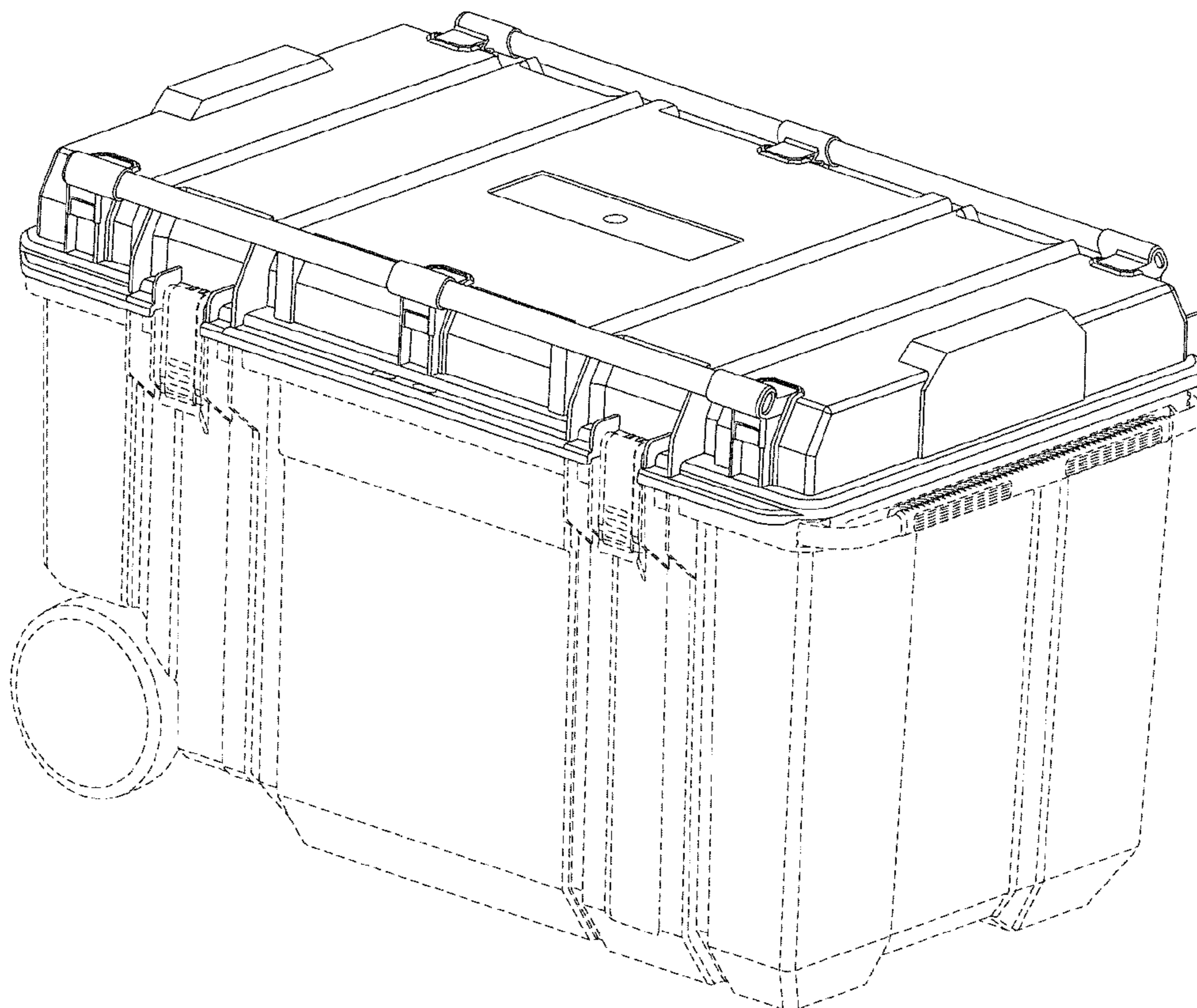
The ornamental design for lid for a container, as shown and described.

DESCRIPTION

FIG. 1 is a perspective view of my new design;
FIG. 2 is a front view thereof;
FIG. 3 is a rear view thereof;
FIG. 4 is a left side view thereof;
FIG. 5 is a right side view thereof;
FIG. 6 is a top view thereof; and,
FIG. 7 is a bottom view thereof.

The broken lines showing the container are for the purposes of illustrating environment and form no part of the claimed design.

1 Claim, 5 Drawing Sheets



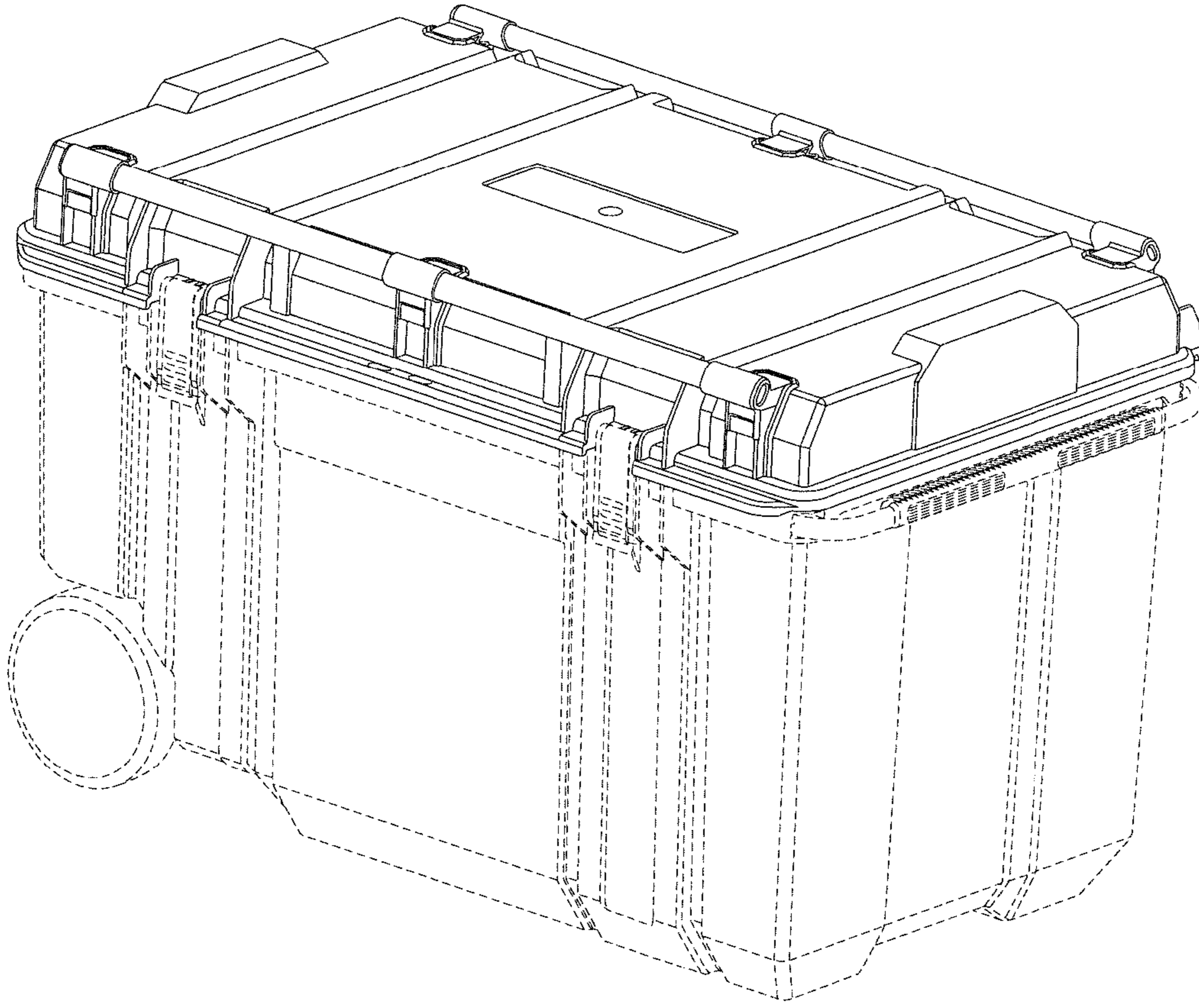


Fig. 1

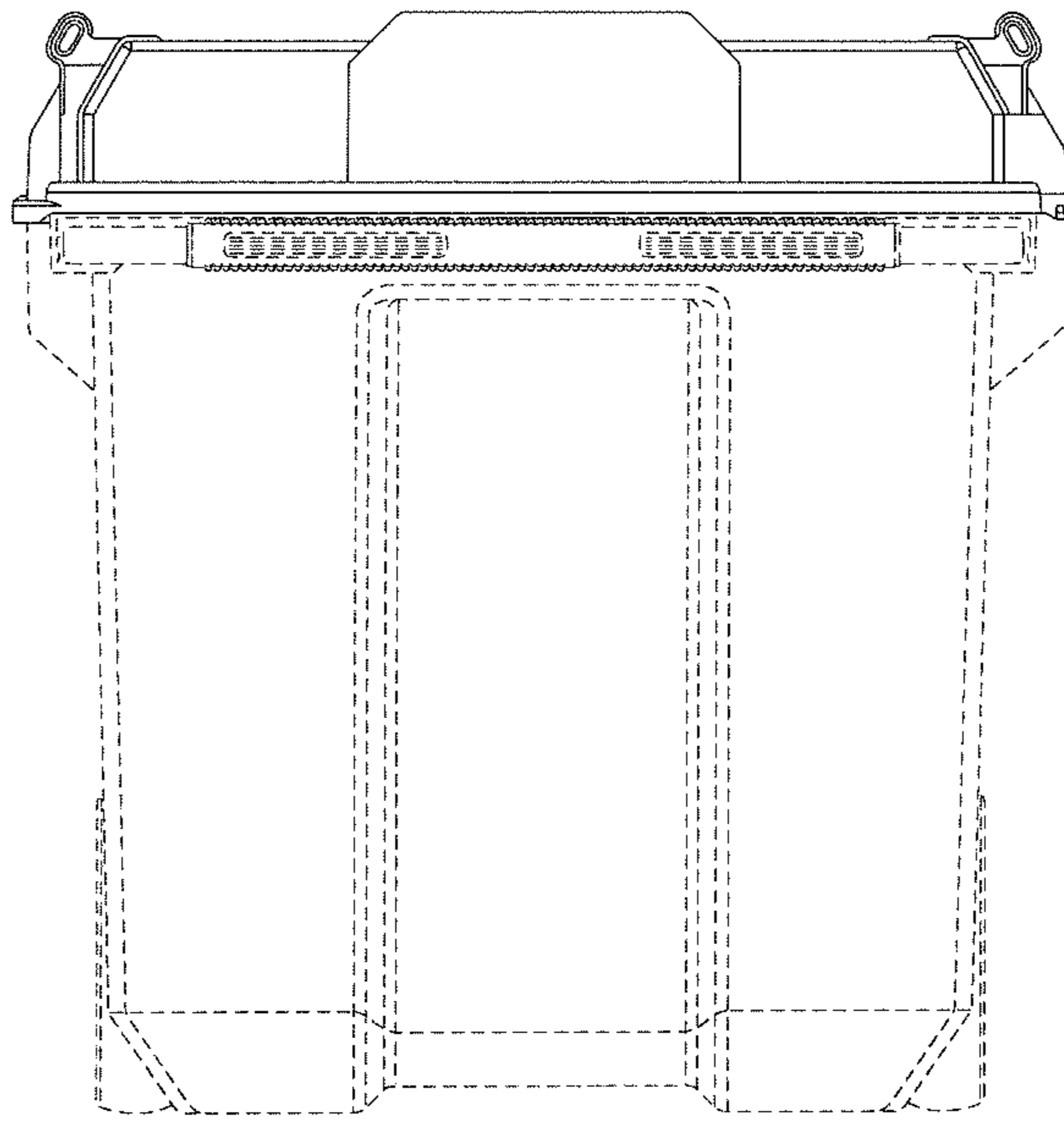


Fig. 2

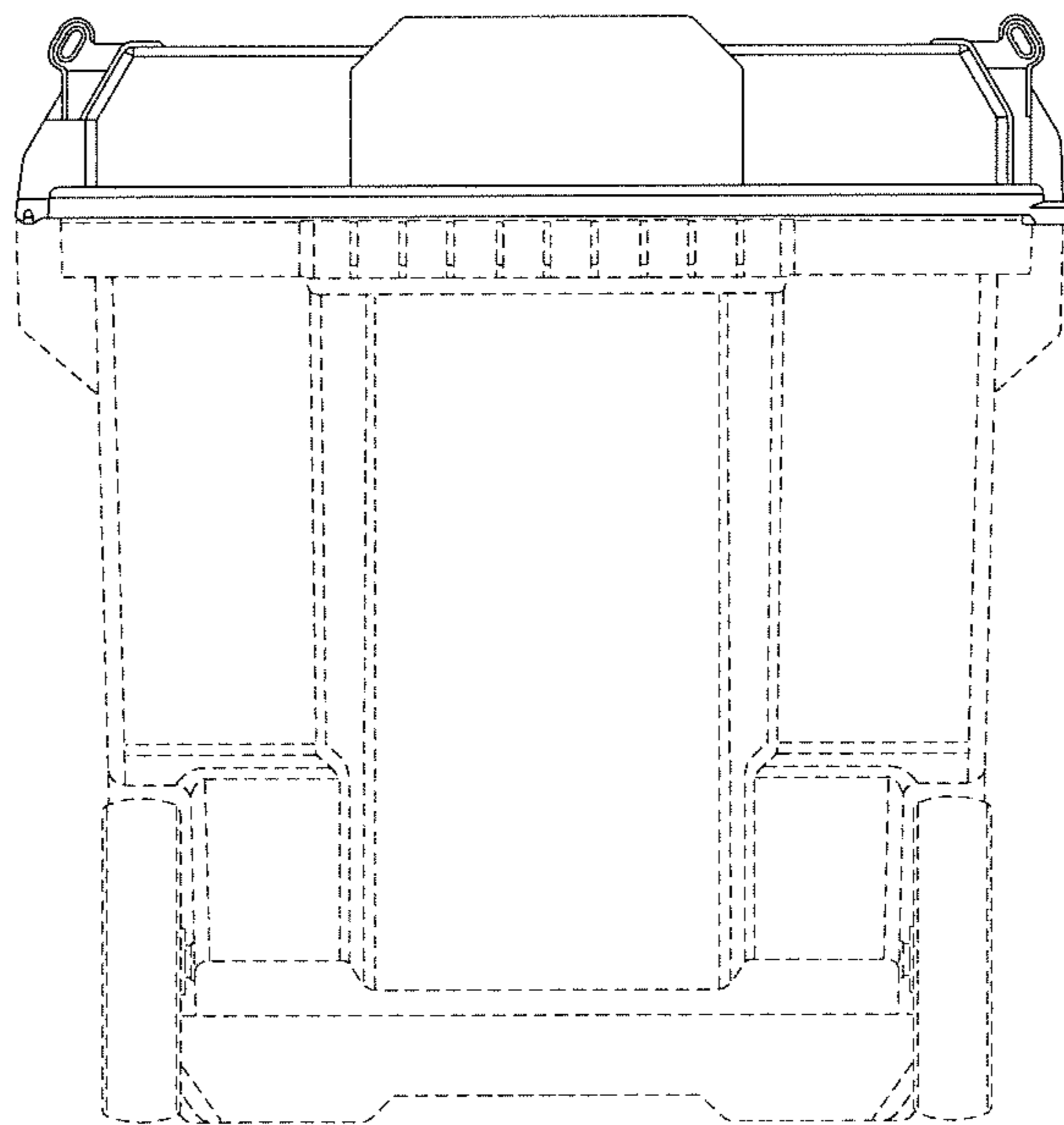


Fig. 3

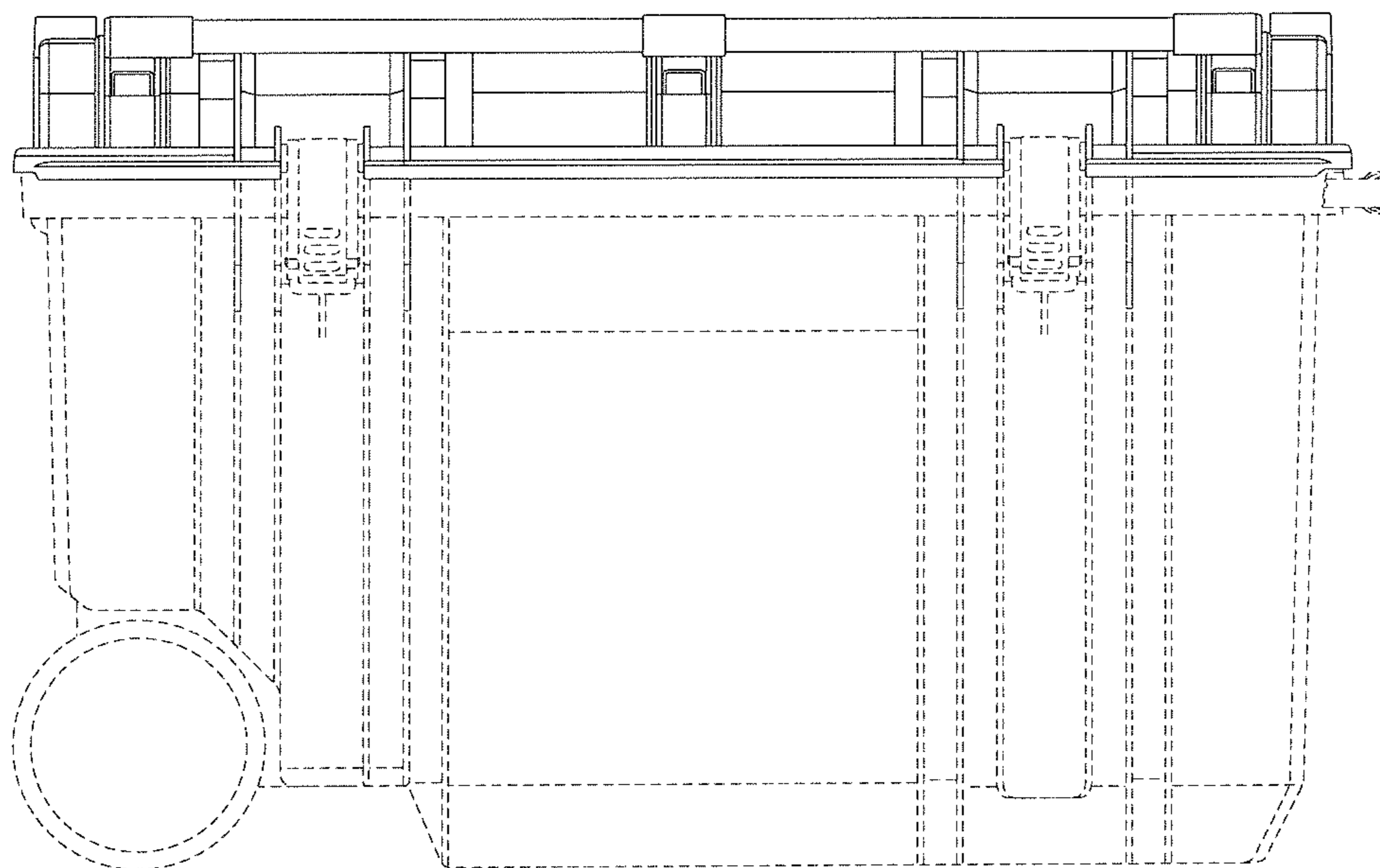


Fig. 4

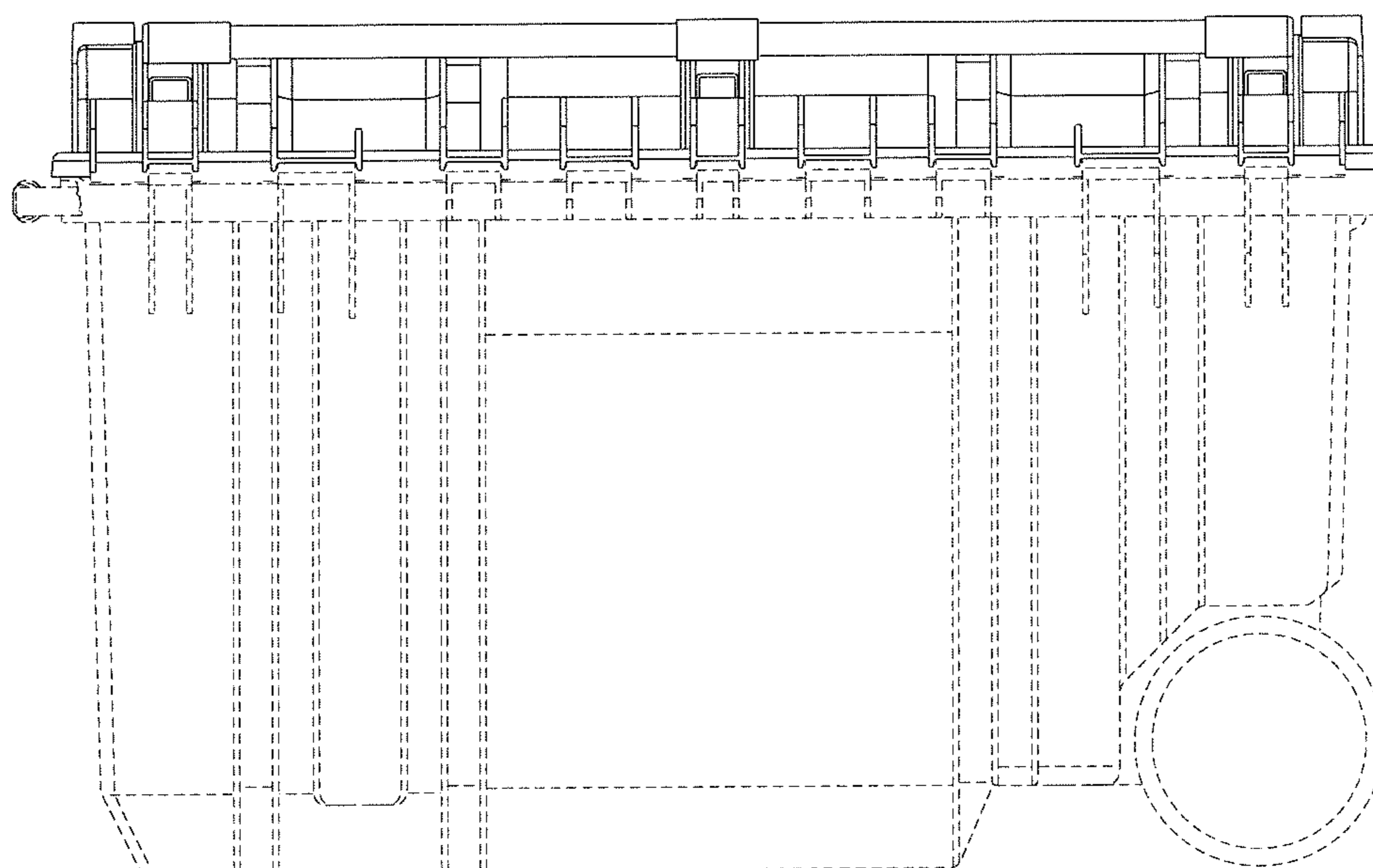


Fig. 5

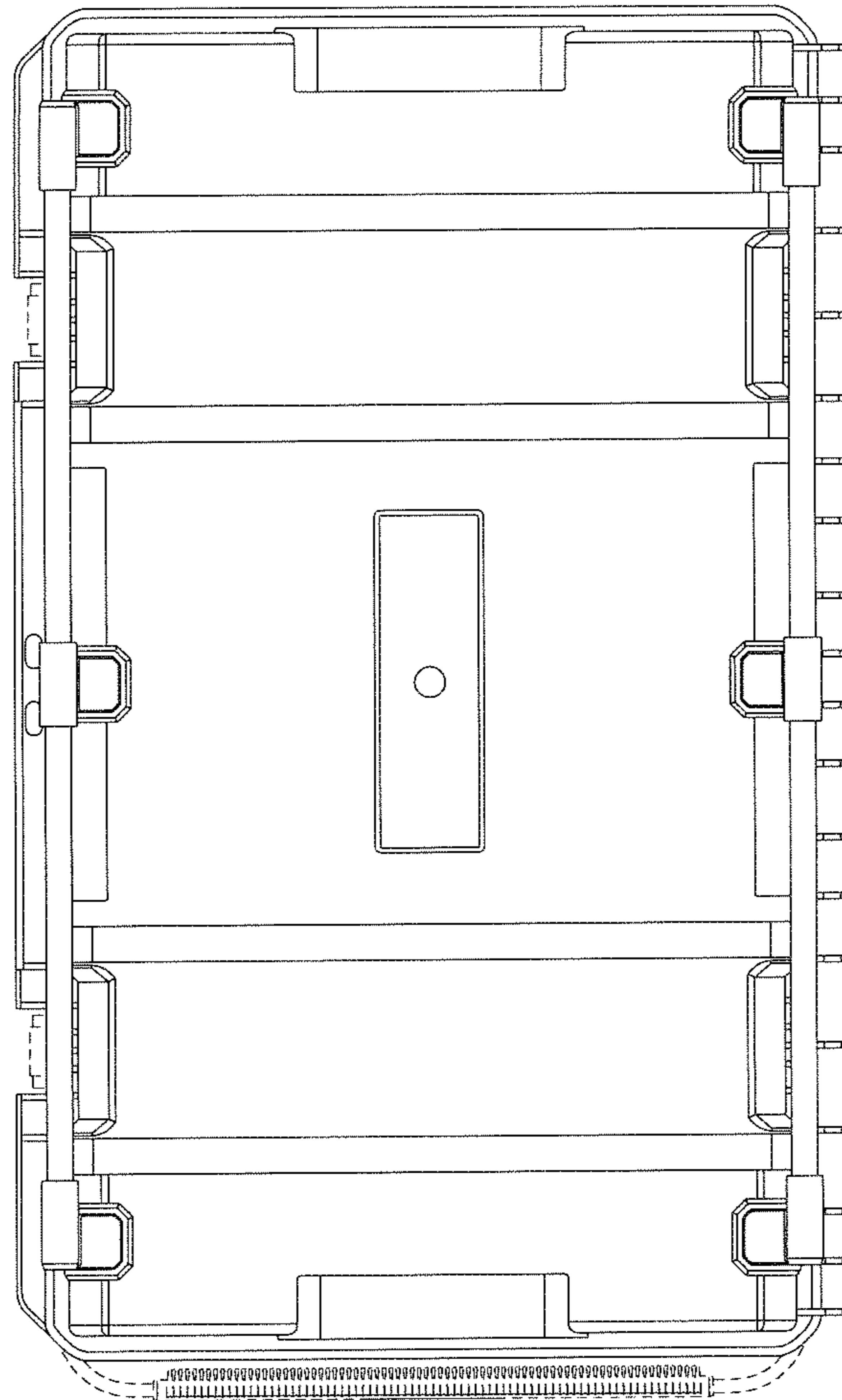


Fig. 6

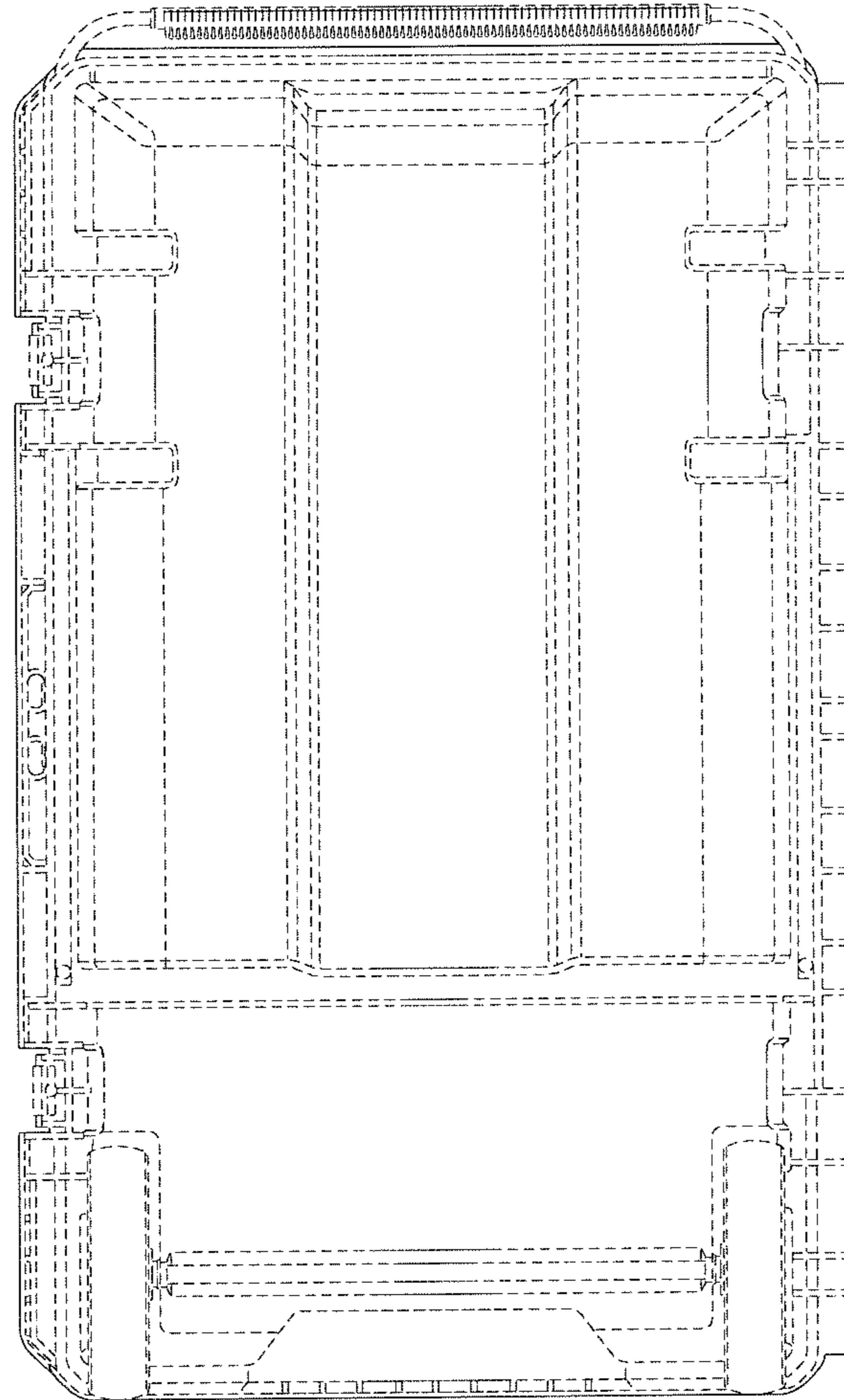


Fig. 7