



US00D765404S

(12) **United States Design Patent**  
**Mangano et al.**

(10) **Patent No.:** **US D765,404 S**

(45) **Date of Patent:** **\*\* Sep. 6, 2016**

(54) **LUGGAGE WHEEL ASSEMBLY**

(71) Applicant: **INGENIOUS DESIGNS LLC**,  
Ronkonkoma, NY (US)

(72) Inventors: **Joy Mangano**, St. James, NY (US);  
**Michael Morgan Starkey**, Charlotte,  
NC (US); **Thomas James Philpott**,  
Fort Mill, SC (US)

(73) Assignee: **INGENIOUS DESIGNS, LLC.**,  
Ronkonkoma, NY (US)

(\*\*) Term: **14 Years**

(21) Appl. No.: **29/509,504**

(22) Filed: **Nov. 18, 2014**

(51) **LOC (10) Cl.** ..... **03-01**

(52) **U.S. Cl.**  
USPC ..... **D3/318**

(58) **Field of Classification Search**

USPC ..... D3/318, 273, 276, 279, 291, 295, 201,  
D3/905, 271.12, 296, 309; 190/18 A

CPC ... Y10T 16/44; Y10T 16/476; Y10T 16/498;  
Y10T 16/00; Y10T 16/381; Y10T 16/384;  
Y10T 24/44872; B25H 3/02

See application file for complete search history.

(56) **References Cited**

**U.S. PATENT DOCUMENTS**

2,199,888 A \* 5/1940 Lyon ..... B60B 7/04  
301/108.1  
2,244,014 A \* 6/1941 Lyon ..... B60B 7/04  
301/108.1  
D346,953 S \* 5/1994 Scicluna ..... D3/279  
D375,202 S \* 11/1996 Vermillion ..... D3/318

D474,024 S \* 5/2003 Santy ..... D3/318  
D476,484 S \* 7/2003 Santy ..... D3/318  
D557,013 S \* 12/2007 Szyf ..... D3/318  
D627,162 S \* 11/2010 Weng ..... D3/279  
D633,299 S \* 3/2011 Moon ..... D3/318  
2004/0154889 A1\* 8/2004 Gifford ..... A45C 5/14  
190/18 A  
2005/0077778 A1\* 4/2005 Lin ..... A45C 5/14  
301/125  
2006/0207848 A1\* 9/2006 Sher ..... A45C 5/14  
190/18 A  
2014/0283335 A1\* 9/2014 Meersschaert ..... A45C 5/14  
16/46  
2015/0208774 A1\* 7/2015 Leimenstoll ..... A45C 5/146  
190/18 A

\* cited by examiner

*Primary Examiner* — Rosemary K Tarcza

*Assistant Examiner* — Christy Nemeth

(74) *Attorney, Agent, or Firm* — Kenyon & Kenyon LLP

(57) **CLAIM**

The ornamental design for a luggage wheel assembly, as shown and described.

**DESCRIPTION**

FIG. 1 is a back left perspective view of a luggage wheel assembly;

FIG. 2 is a second back left perspective view thereof;

FIG. 3 is a rear view thereof;

FIG. 4 is a front view thereof;

FIG. 5 is a right side view thereof;

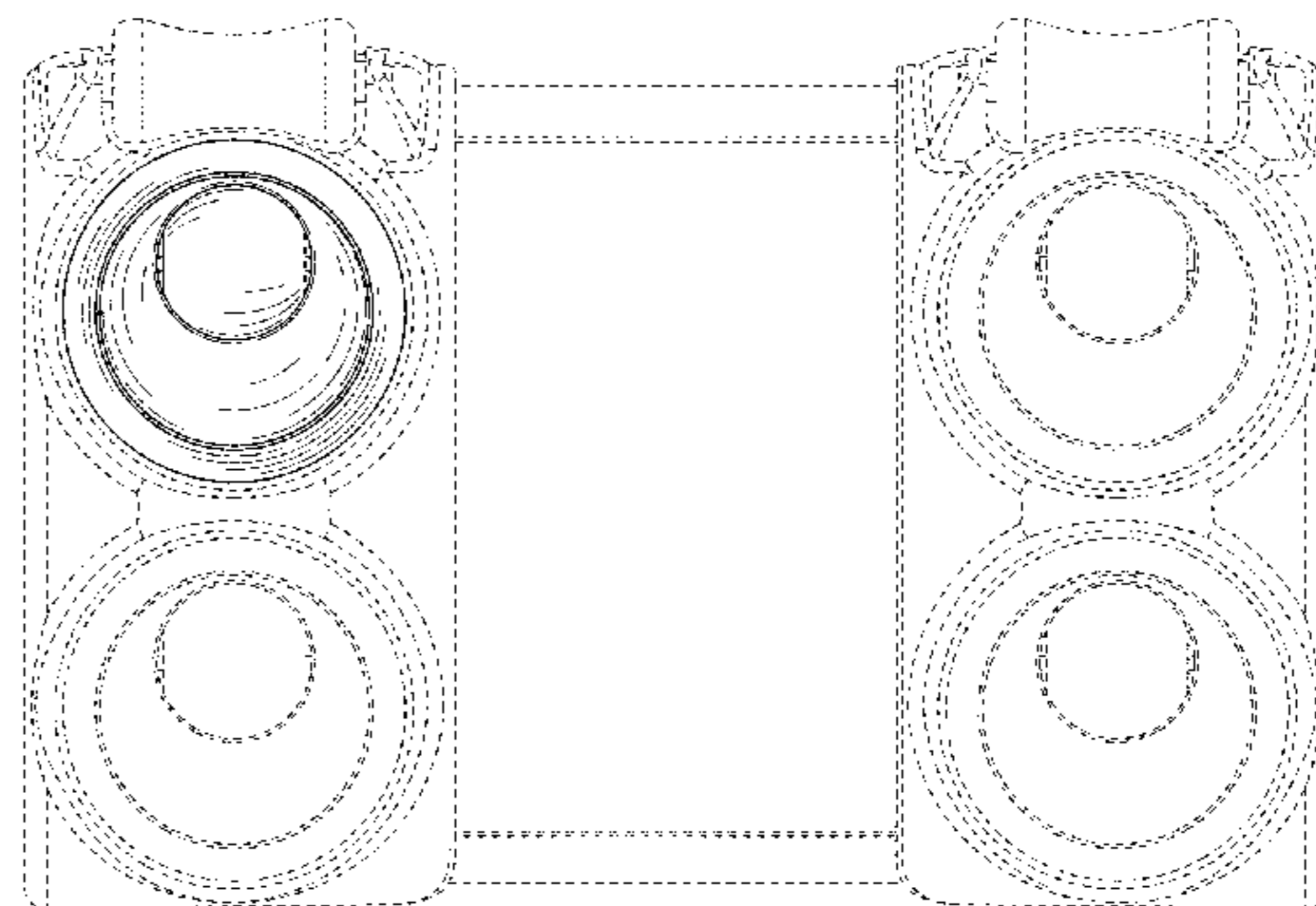
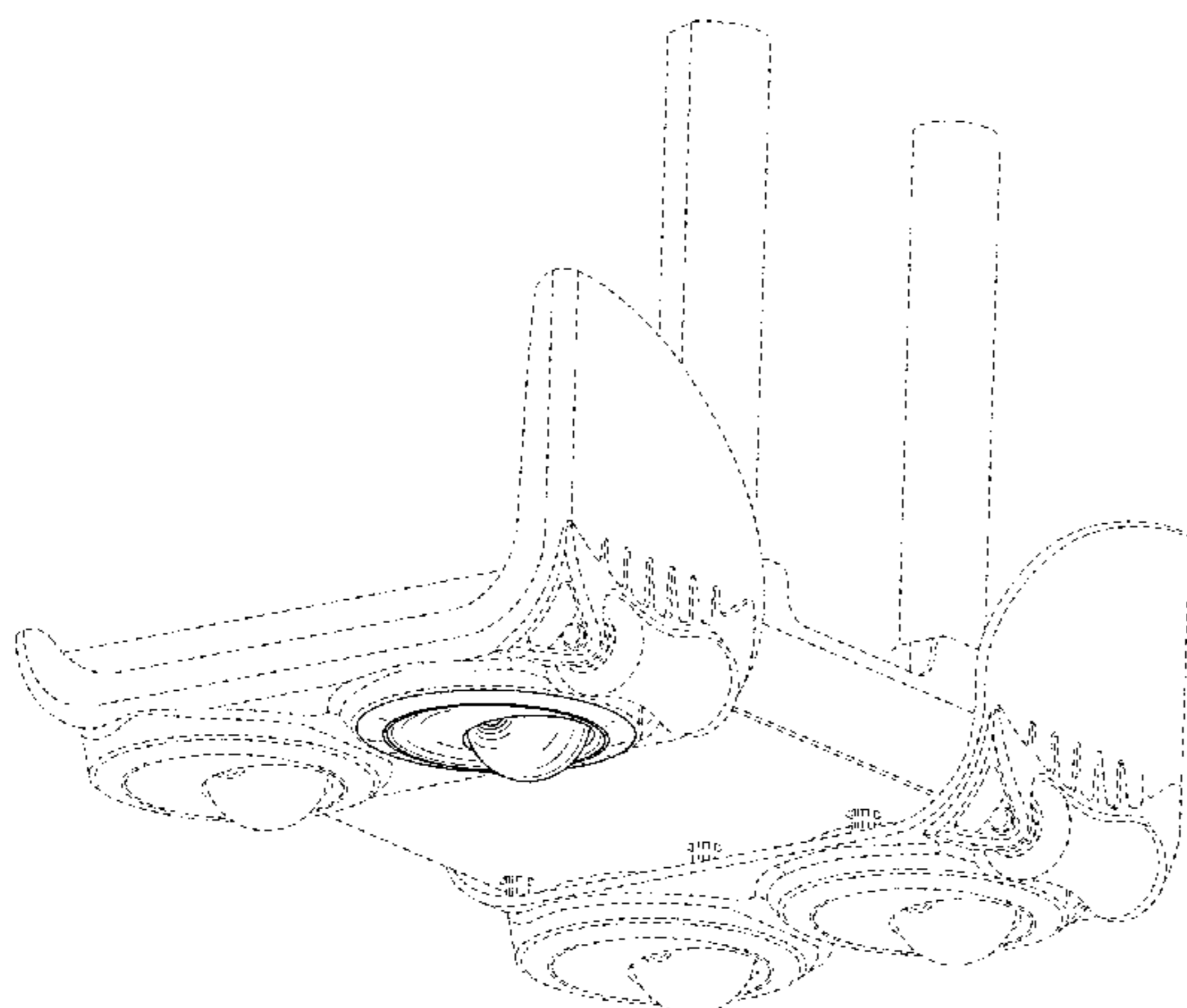
FIG. 6 is a left side view thereof;

FIG. 7 is a top view thereof; and,

FIG. 8 is a bottom view thereof.

The broken lines in the drawings illustrate environmental subject matter that forms no part of the claimed design.

**1 Claim, 5 Drawing Sheets**



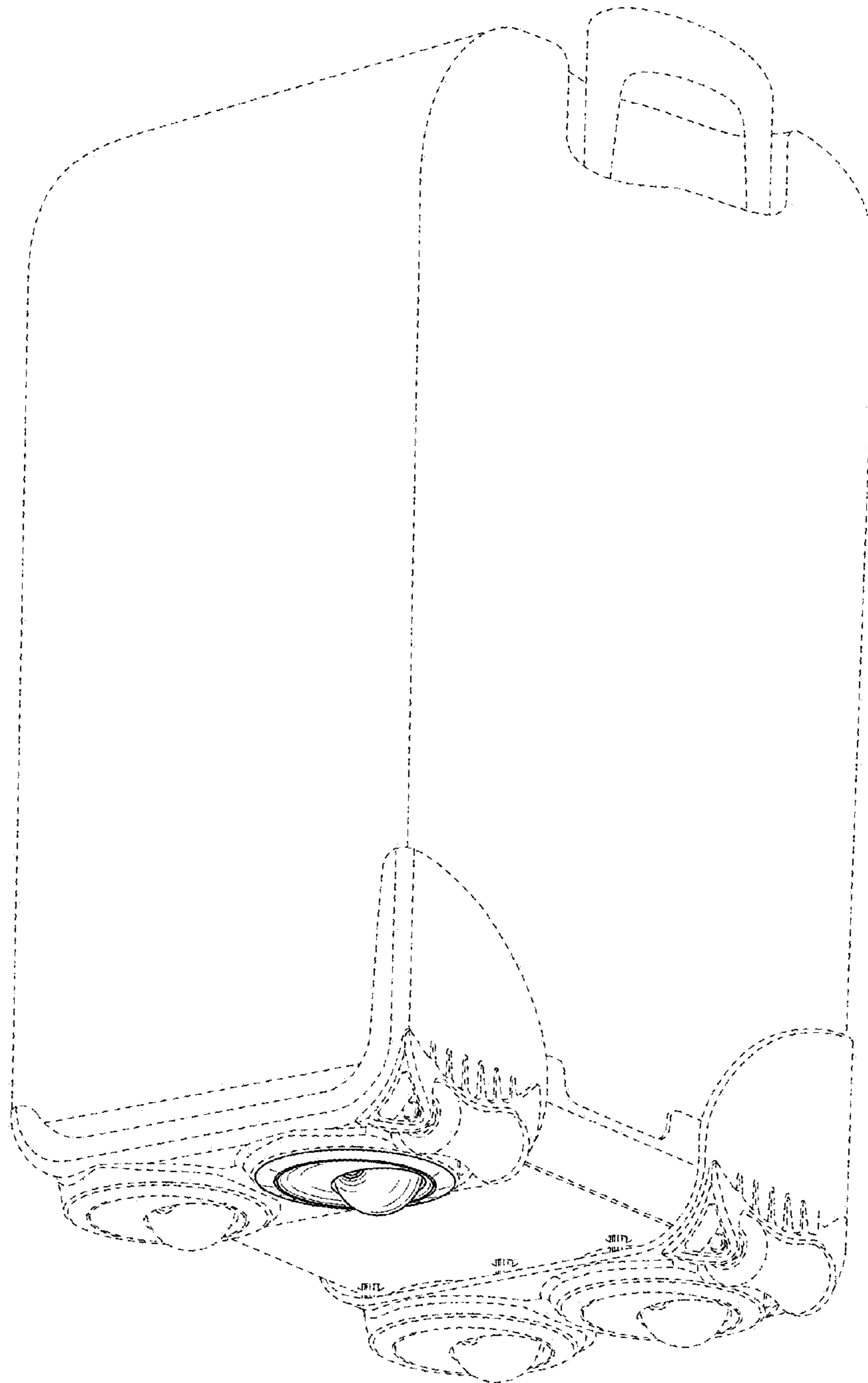


FIG. 1

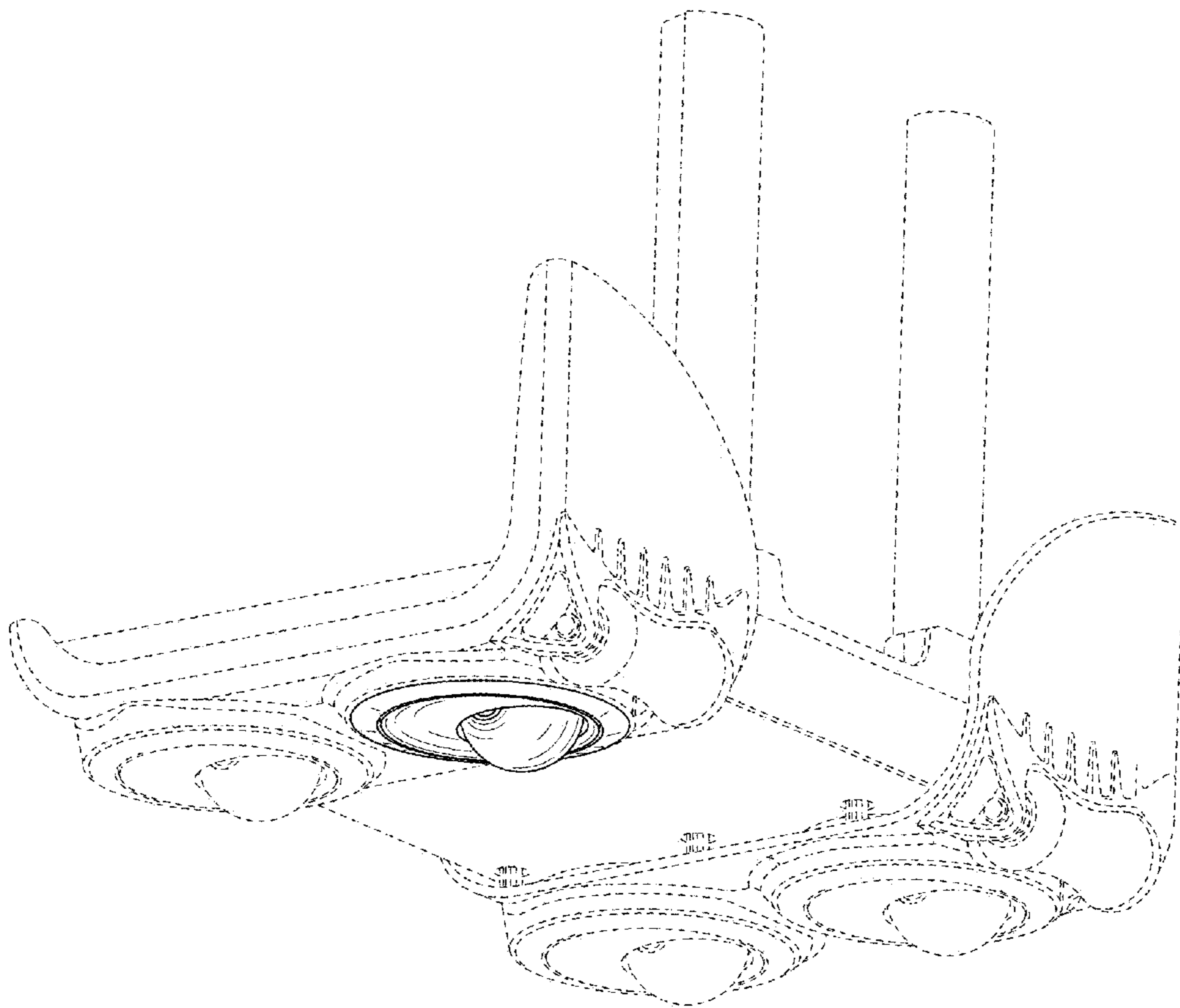


FIG. 2

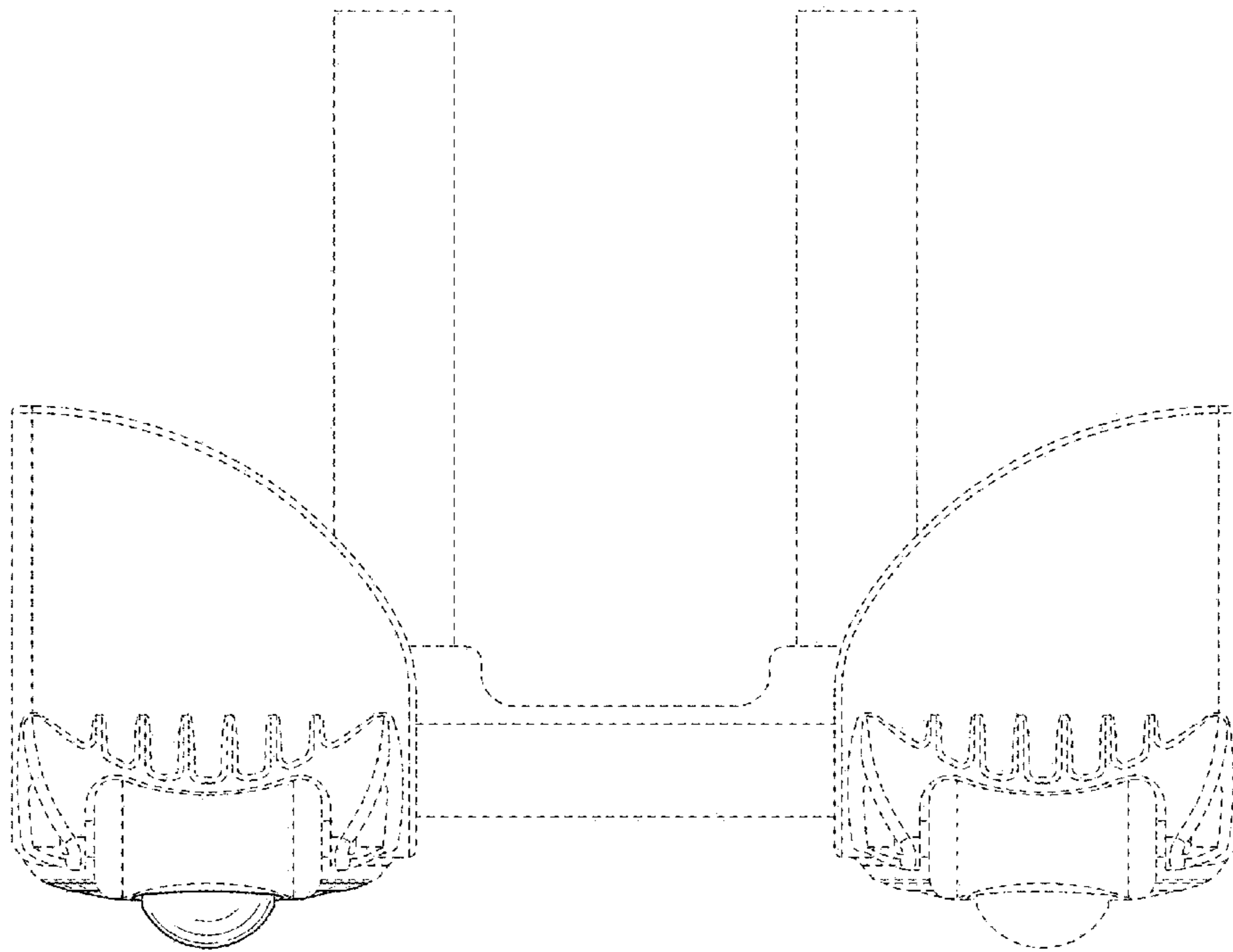


FIG. 3

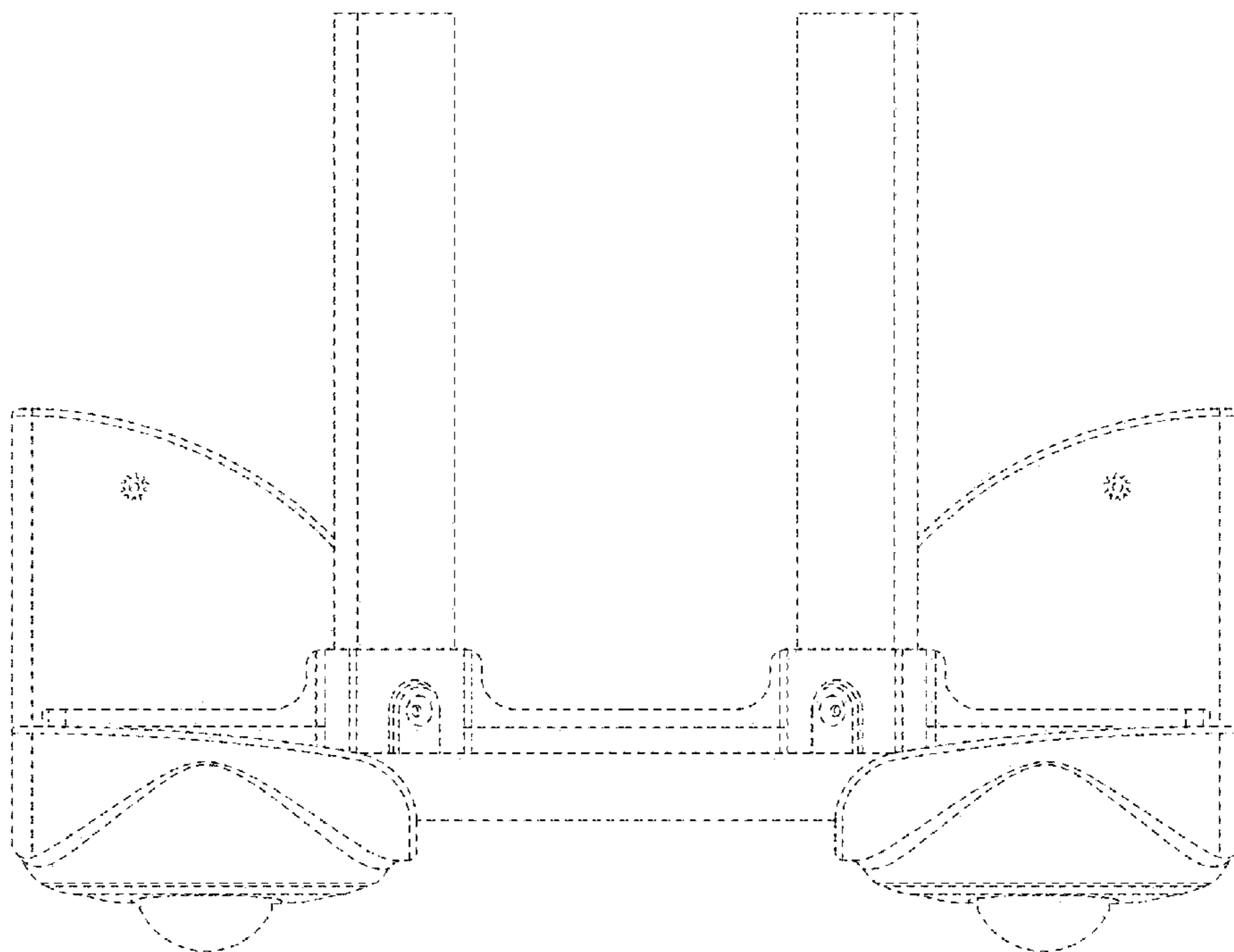


FIG. 4

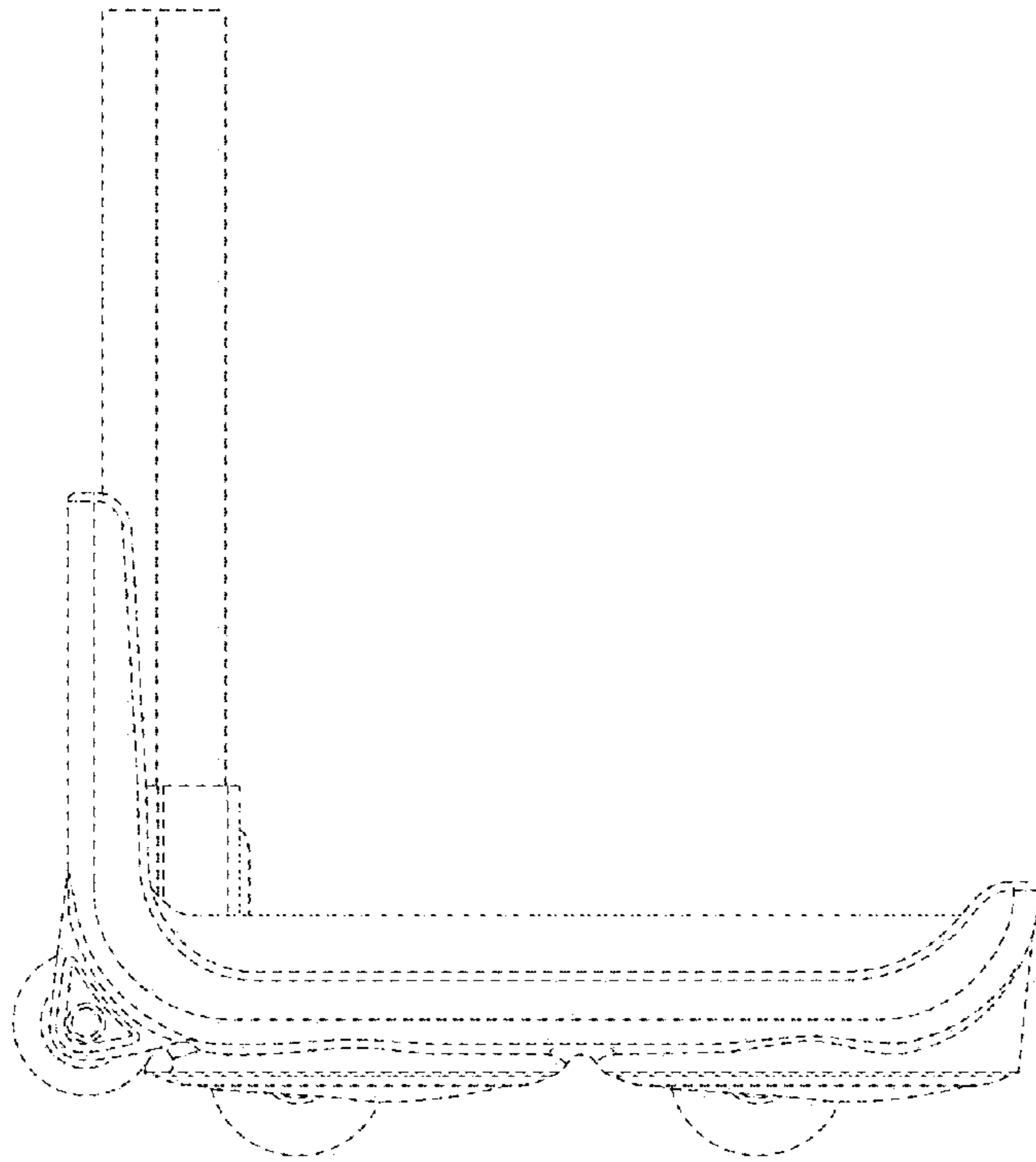


FIG. 5

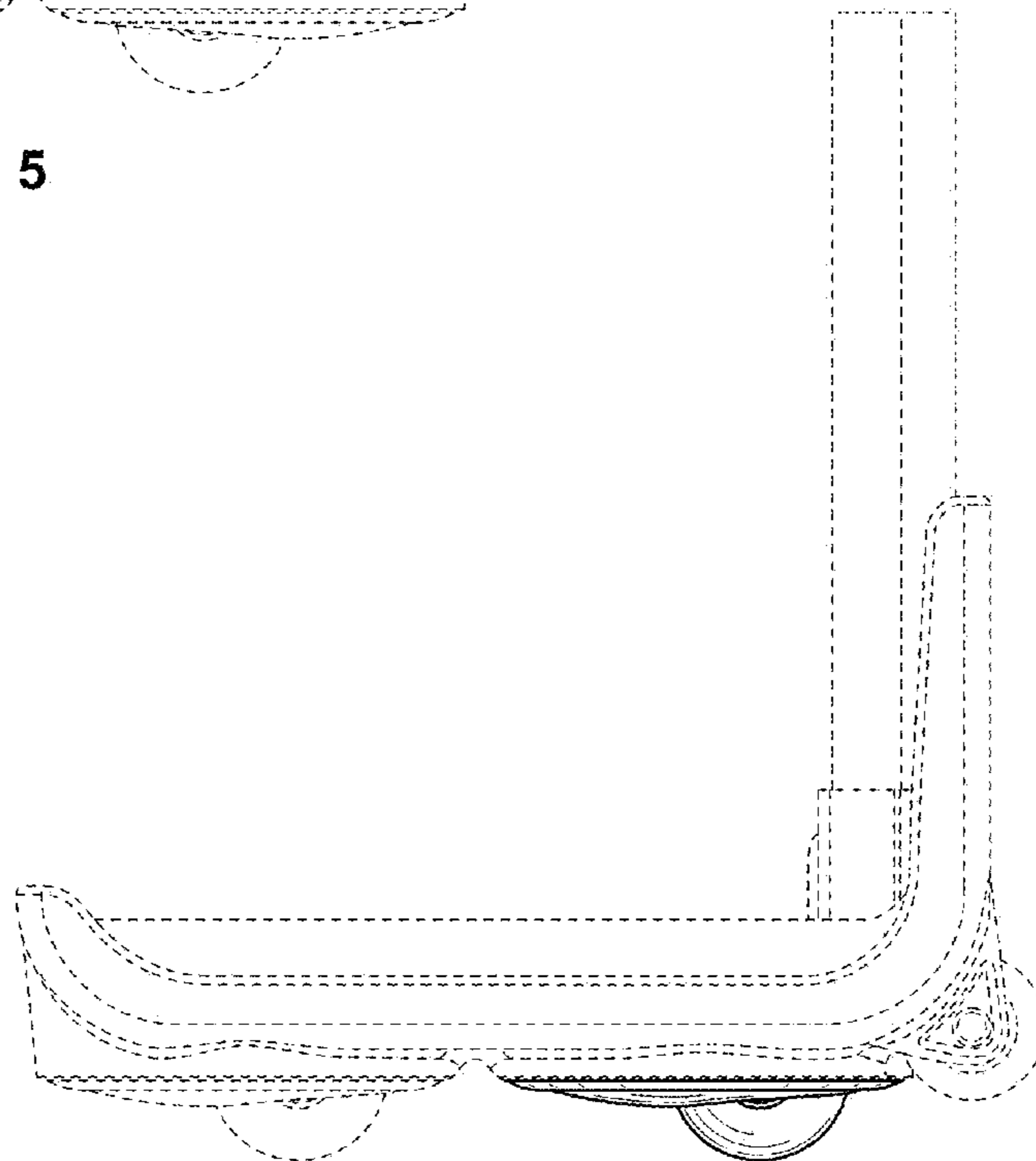


FIG. 6

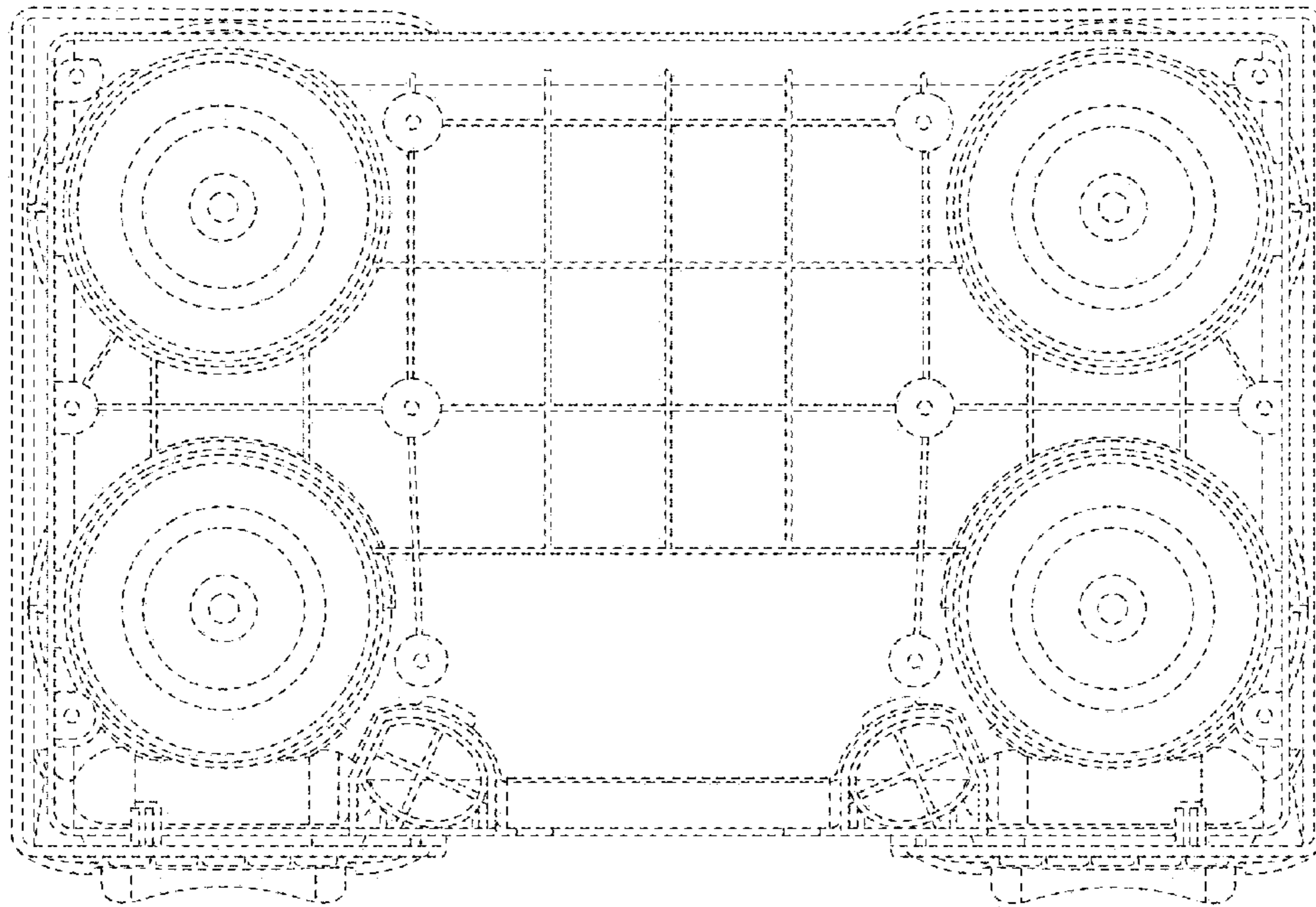


FIG. 7

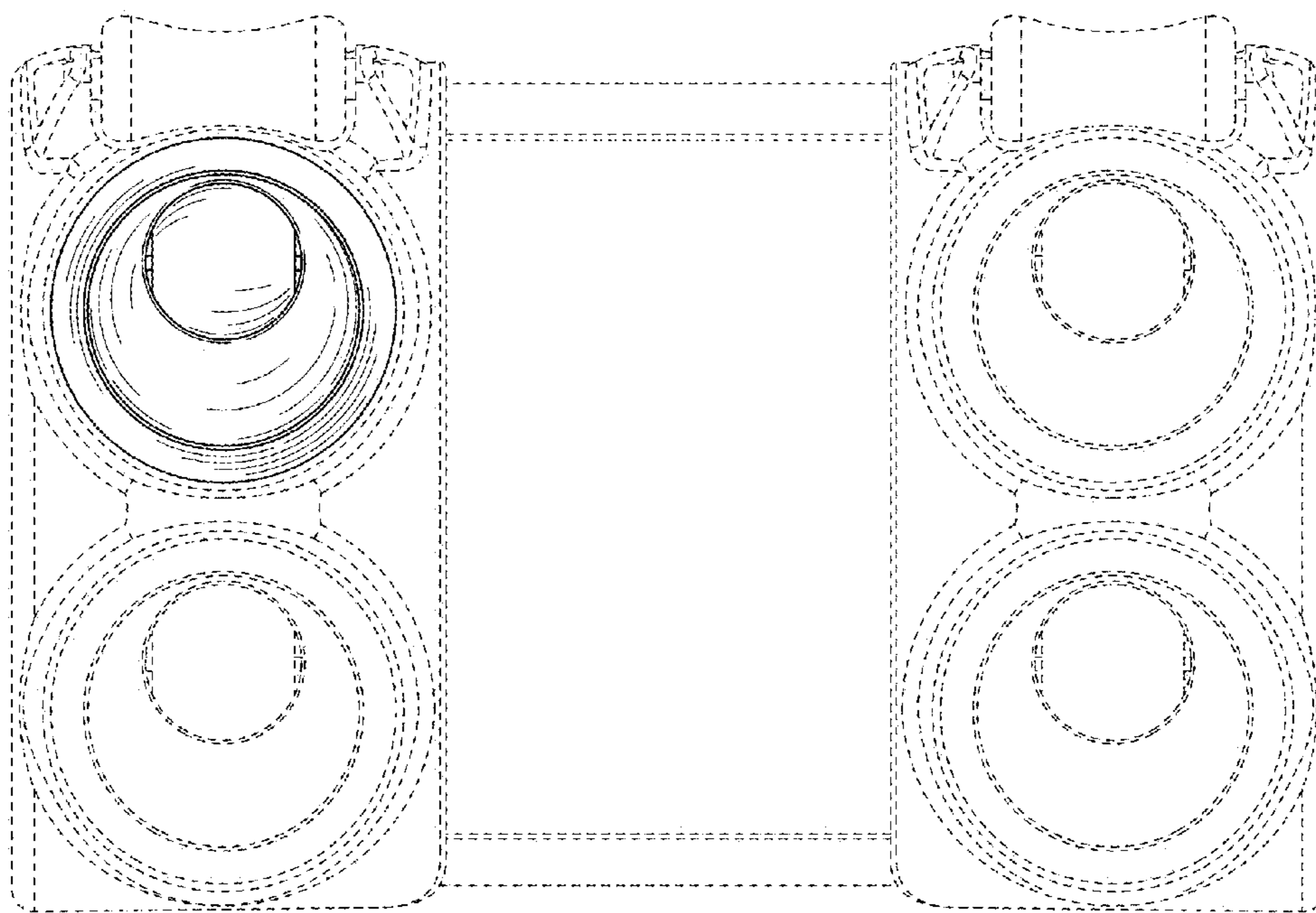


FIG. 8