



US00D765403S

(12) **United States Design Patent** (10) **Patent No.:** **US D765,403 S**
Luo (45) **Date of Patent:** **** Sep. 6, 2016**

(54) **CONNECTOR FOR HARD CASE CONTAINER**

(71) Applicant: **Jia Luo**, Shenzhen (CN)

(72) Inventor: **Jia Luo**, Shenzhen (CN)

(**) Term: **14 Years**

(21) Appl. No.: **29/503,735**

(22) Filed: **Sep. 29, 2014**

(51) **LOC (10) Cl.** **03-01**

(52) **U.S. Cl.**
USPC **D3/318**

(58) **Field of Classification Search**
USPC D3/273, 294, 318
CPC A45C 5/14
See application file for complete search history.

(56) **References Cited**

U.S. PATENT DOCUMENTS

D485,069 S *	1/2004	Parker	D3/318
D501,720 S *	2/2005	Hussaini	D3/273
D561,474 S *	2/2008	Nakamura	D3/318

* cited by examiner

Primary Examiner — Holly Baynham

(74) *Attorney, Agent, or Firm* — Novoclaims Patent Services LLC; Mei Lin Wong

(57) **CLAIM**

The ornamental design of a connector for hard case container, substantially as shown and described.

DESCRIPTION

FIG. 1 is a front view of a connector for hard case container in accordance with the present invention.

FIG. 2 is a rear view thereof.

FIG. 3 is a left end view thereof.

FIG. 4 is a right end view thereof.

FIG. 5 is a top view thereof.

FIG. 6 is a bottom view thereof.

FIG. 7 is a front perspective view thereof.

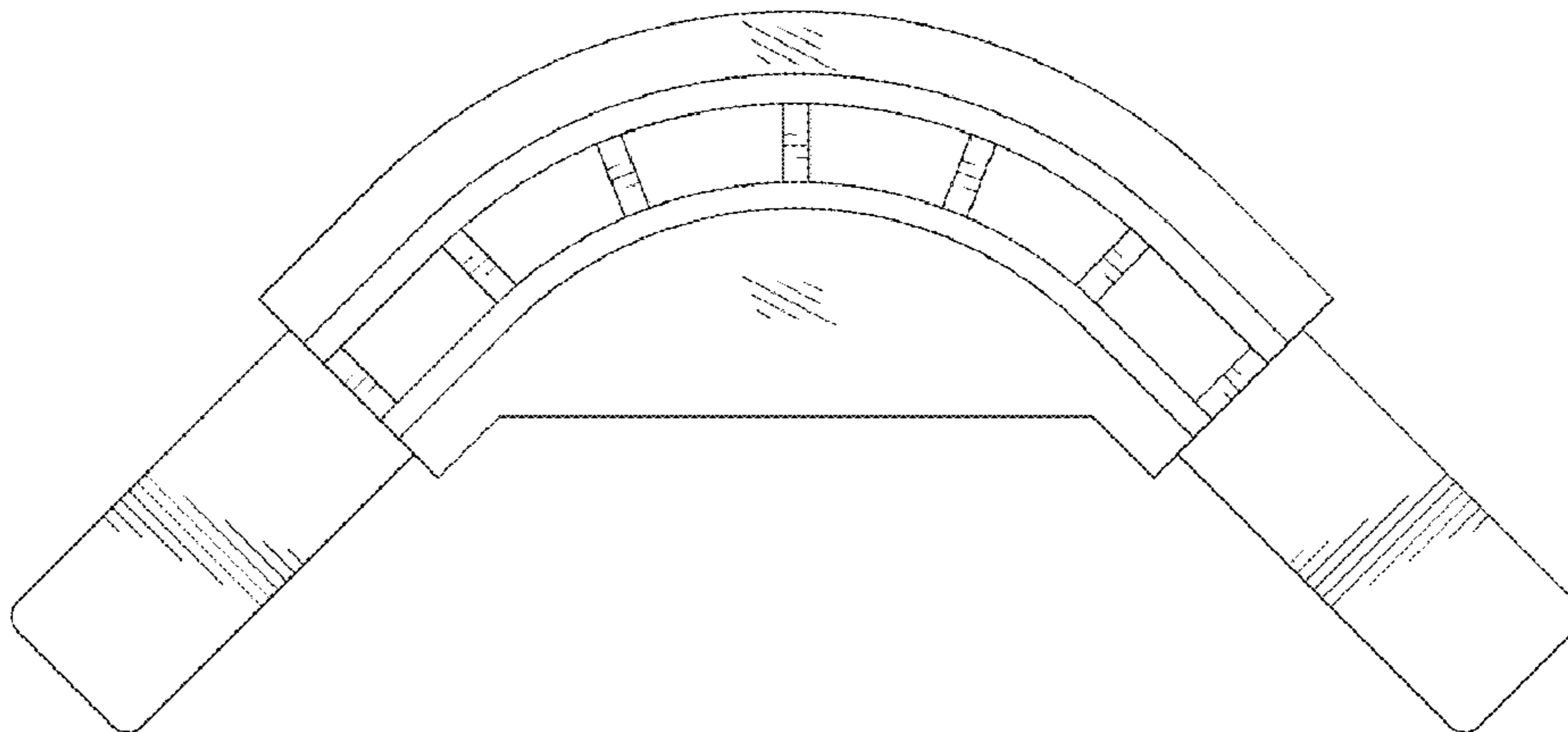
FIG. 8 is another perspective view thereof.

FIG. 9 is a front, environmental perspective view thereof; and,

FIG. 10 is another environmental perspective view thereof.

The broken lines showing in FIGS. 9 and 10 are directed to environment and are for illustration purposes only. None of the broken lines form a part of the claimed design.

1 Claim, 6 Drawing Sheets



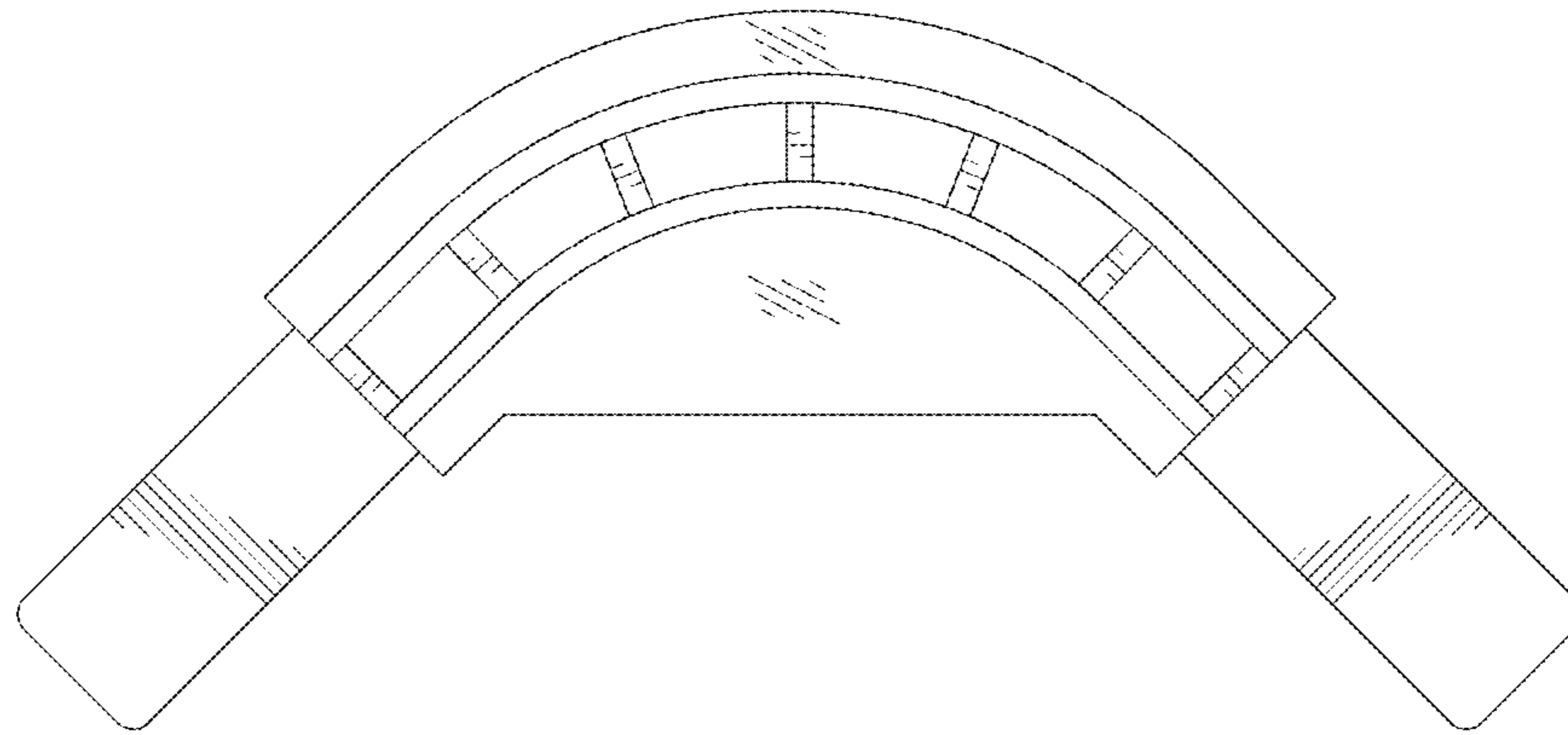


FIG.1

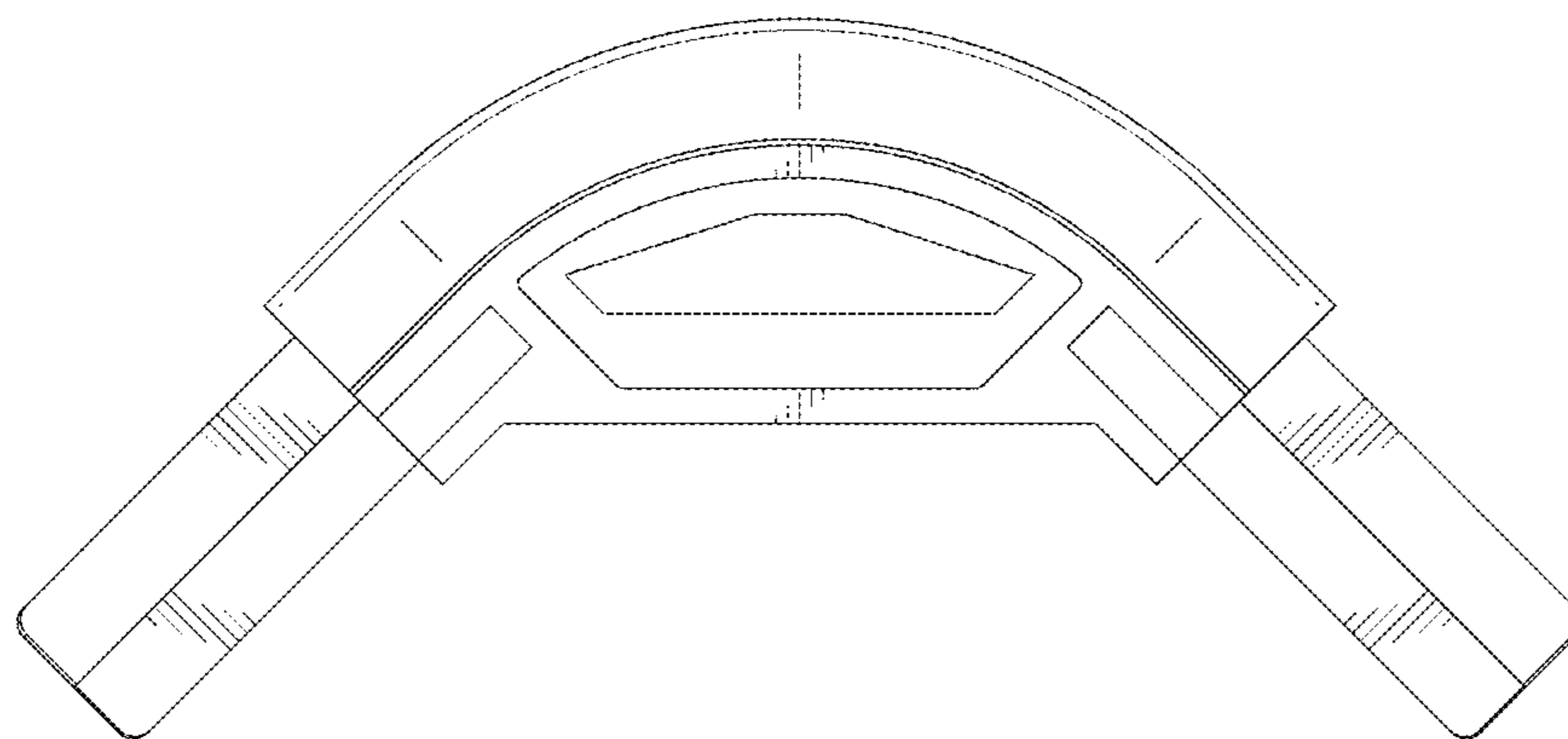


FIG.2

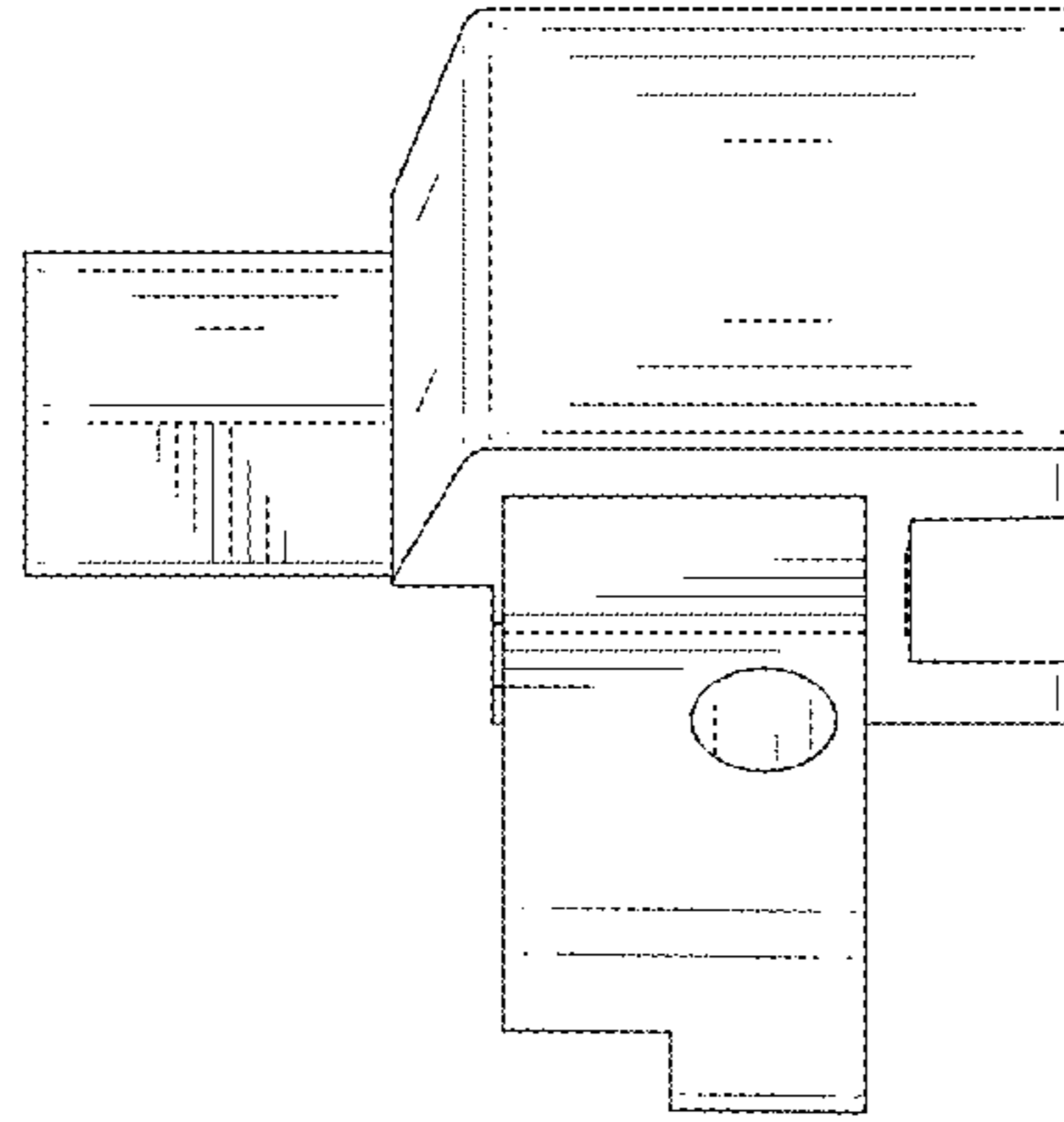


FIG.3

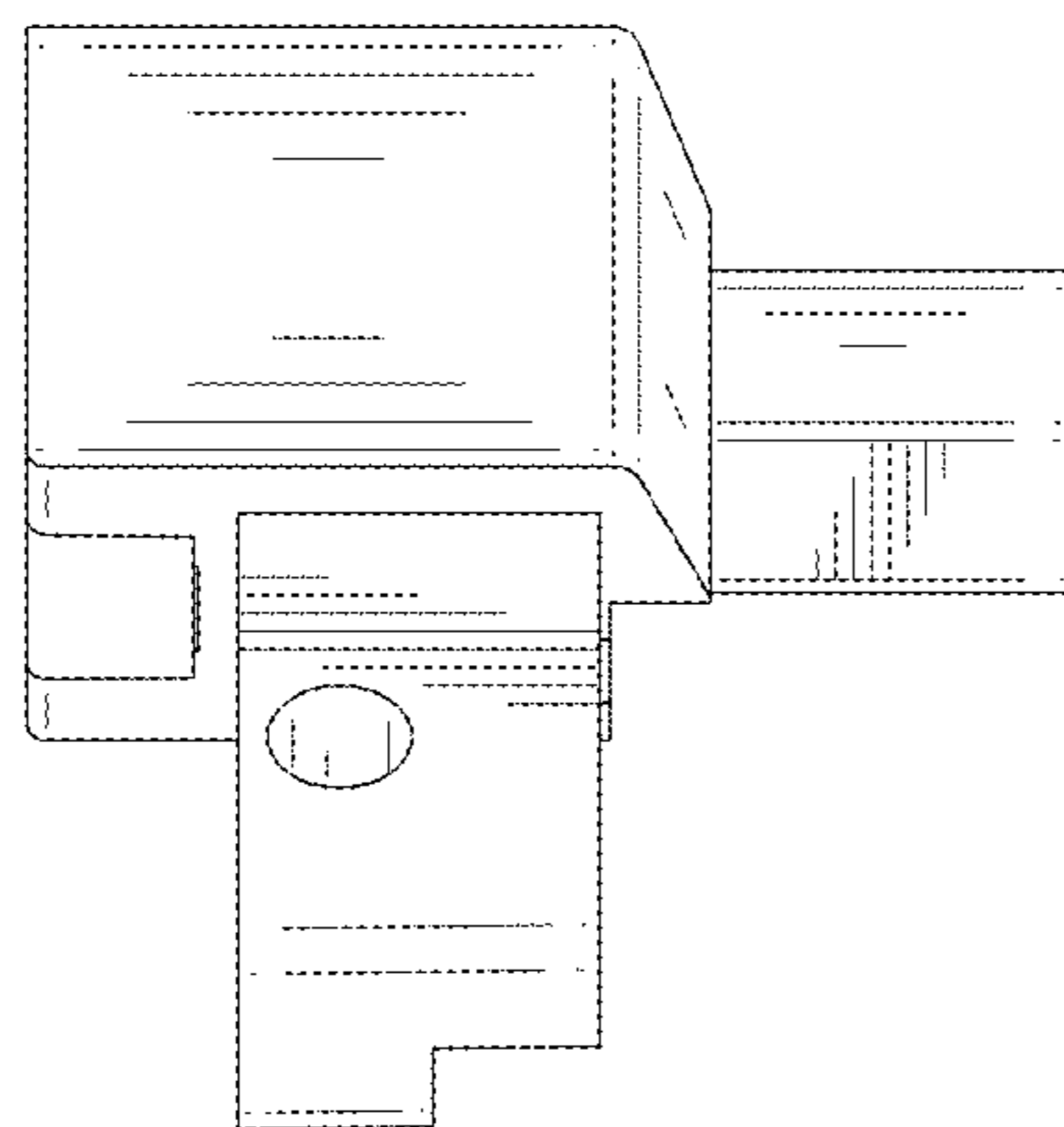


FIG.4

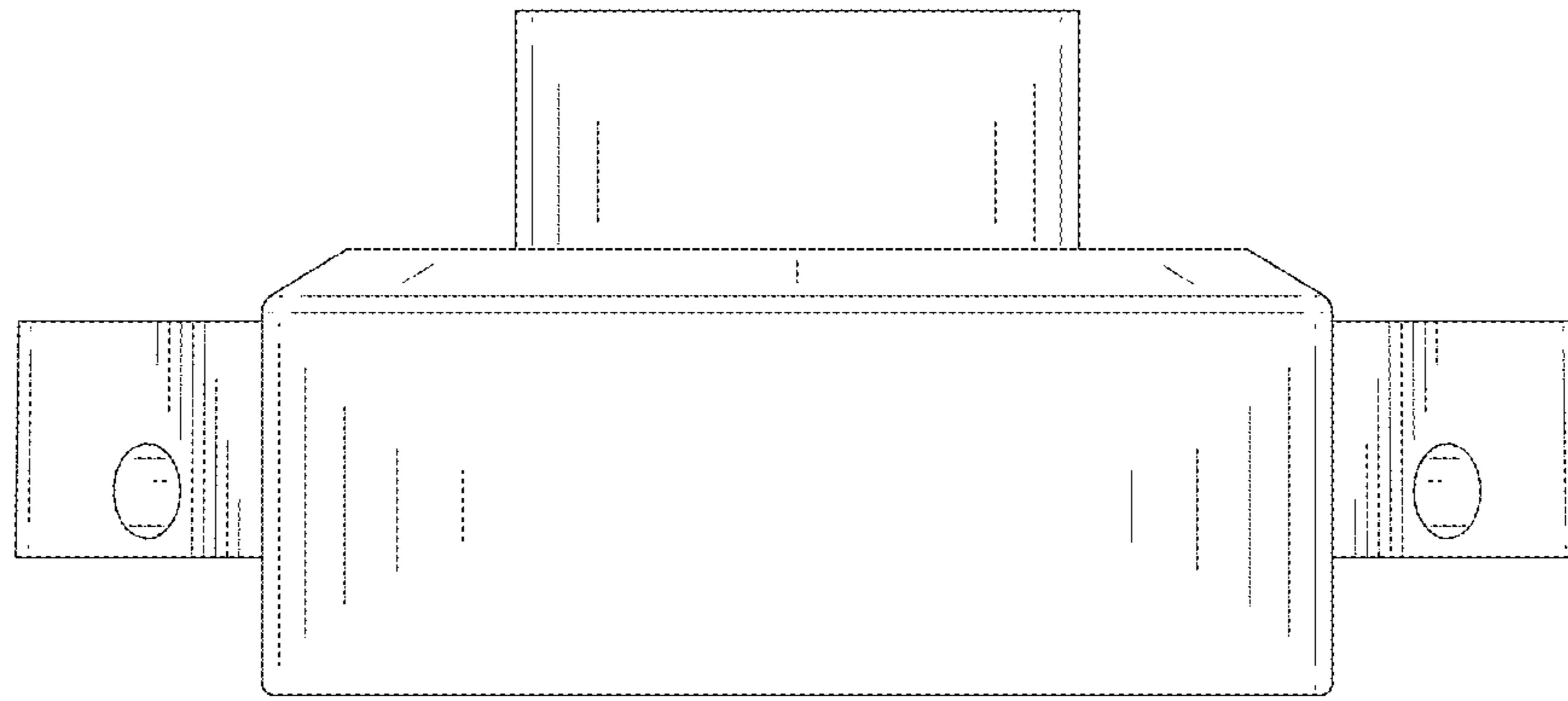


FIG.5

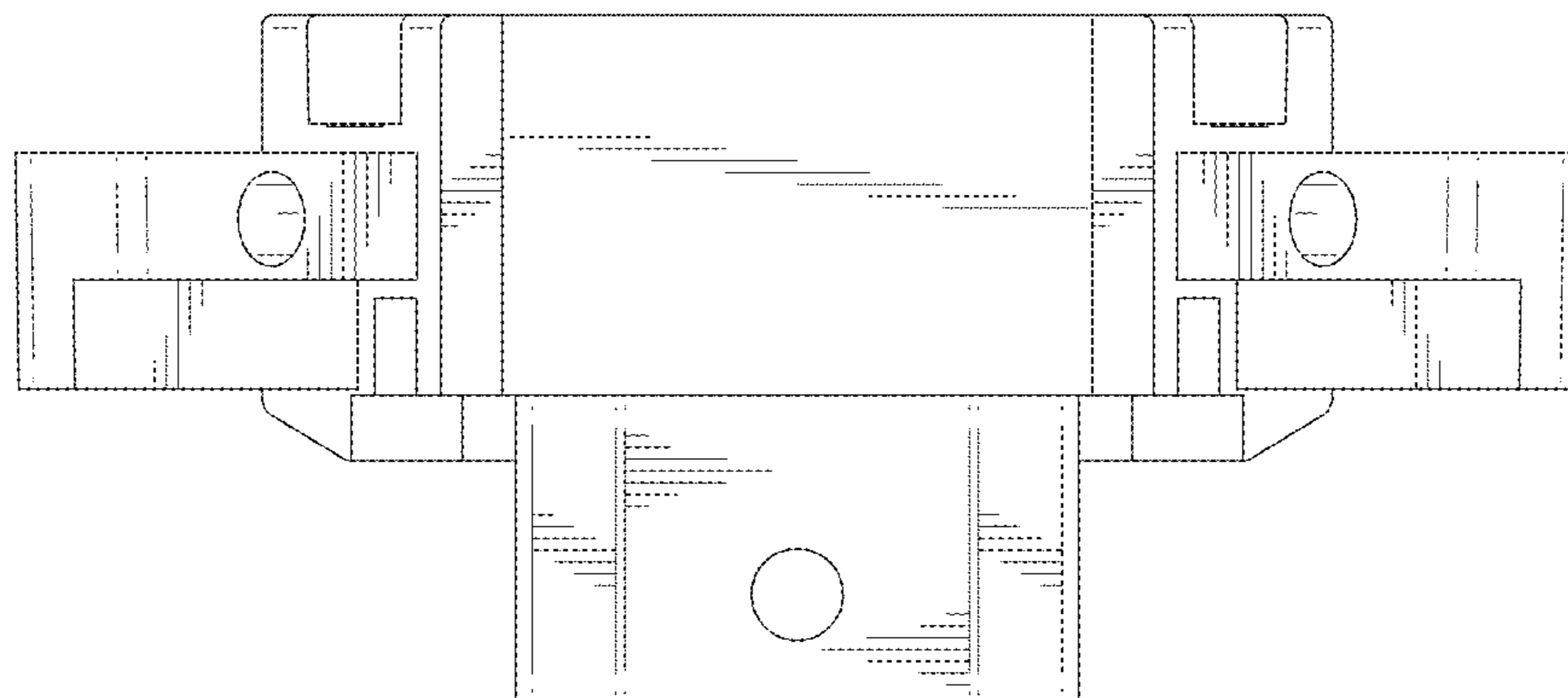


FIG.6

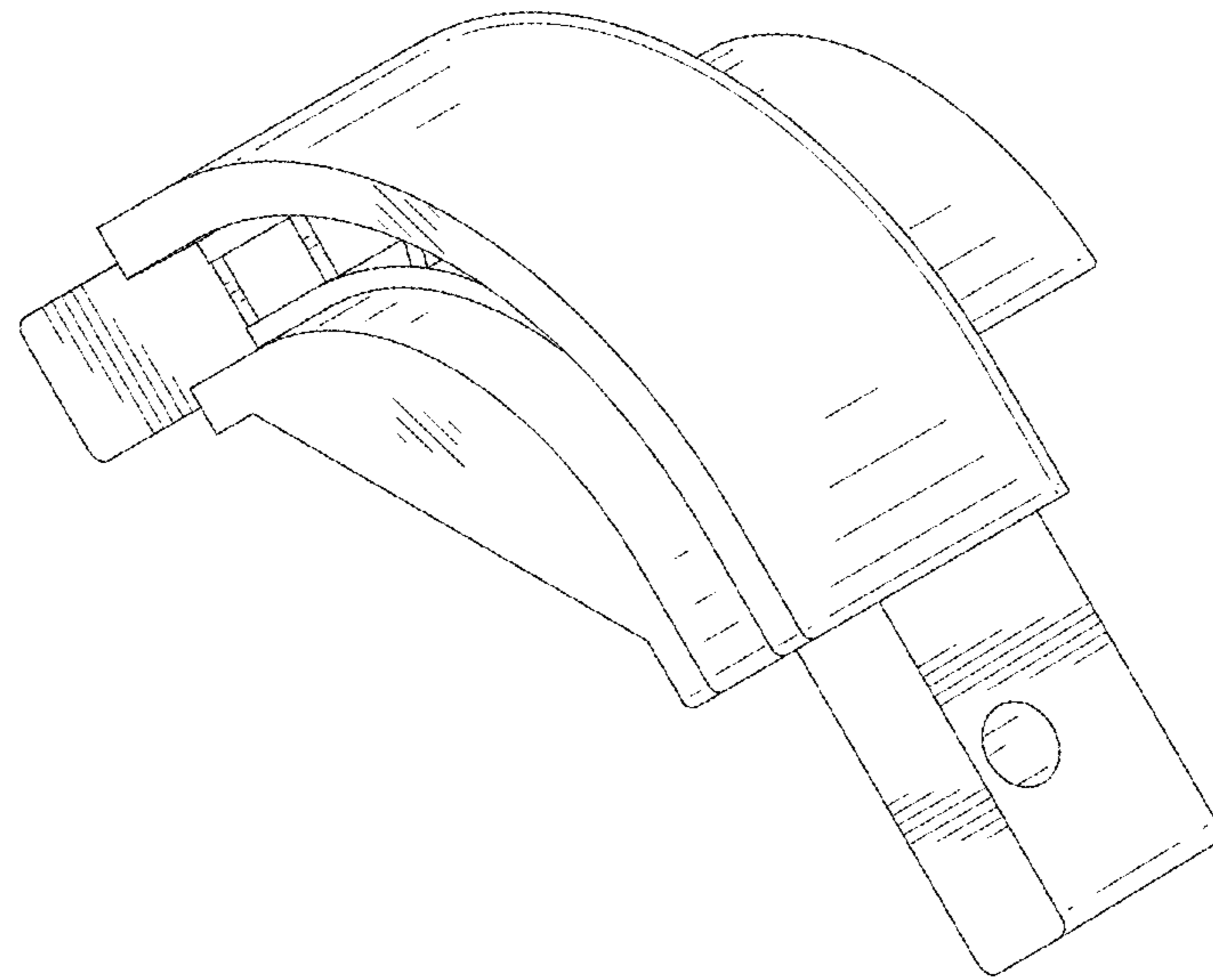


FIG. 7

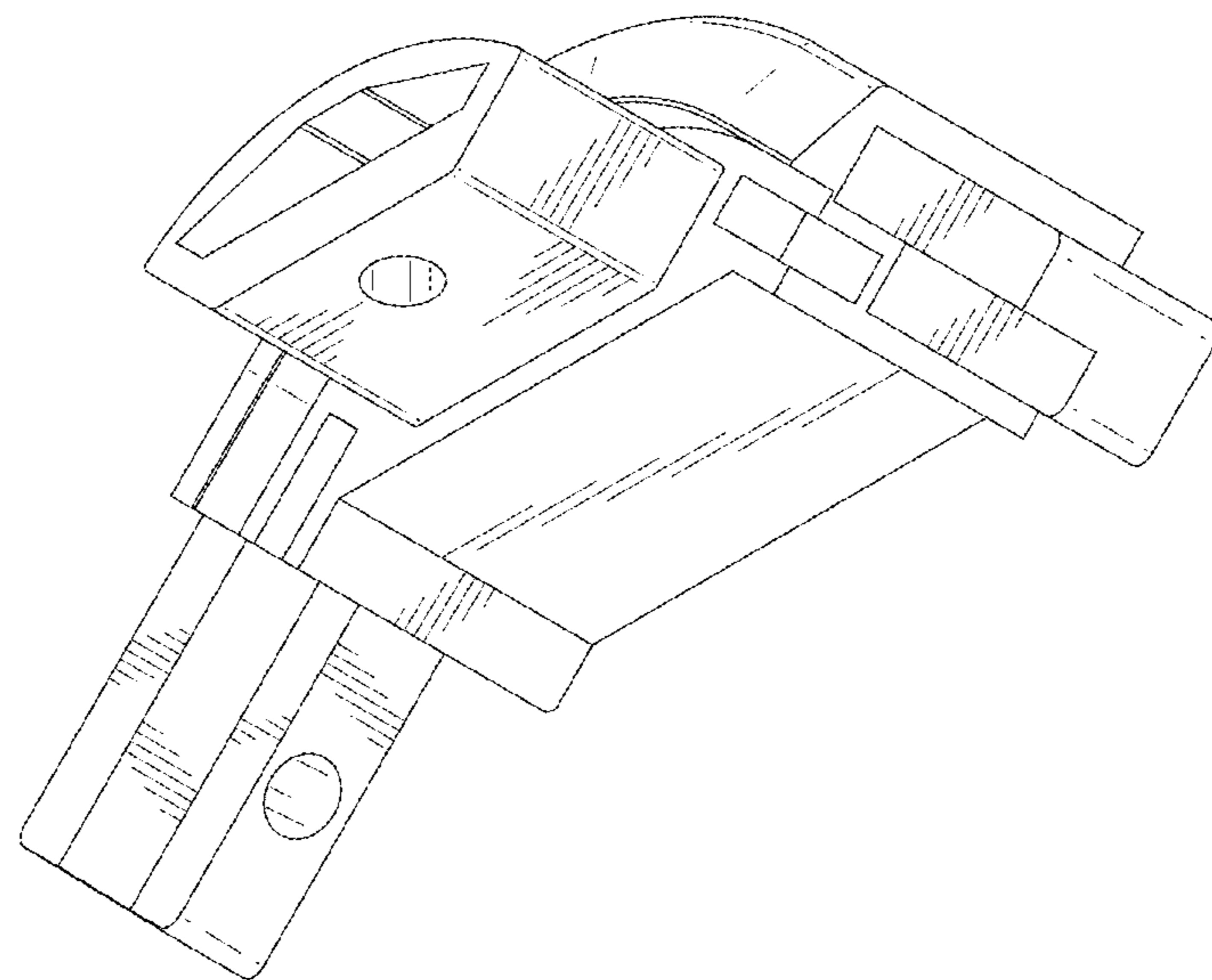


FIG. 8

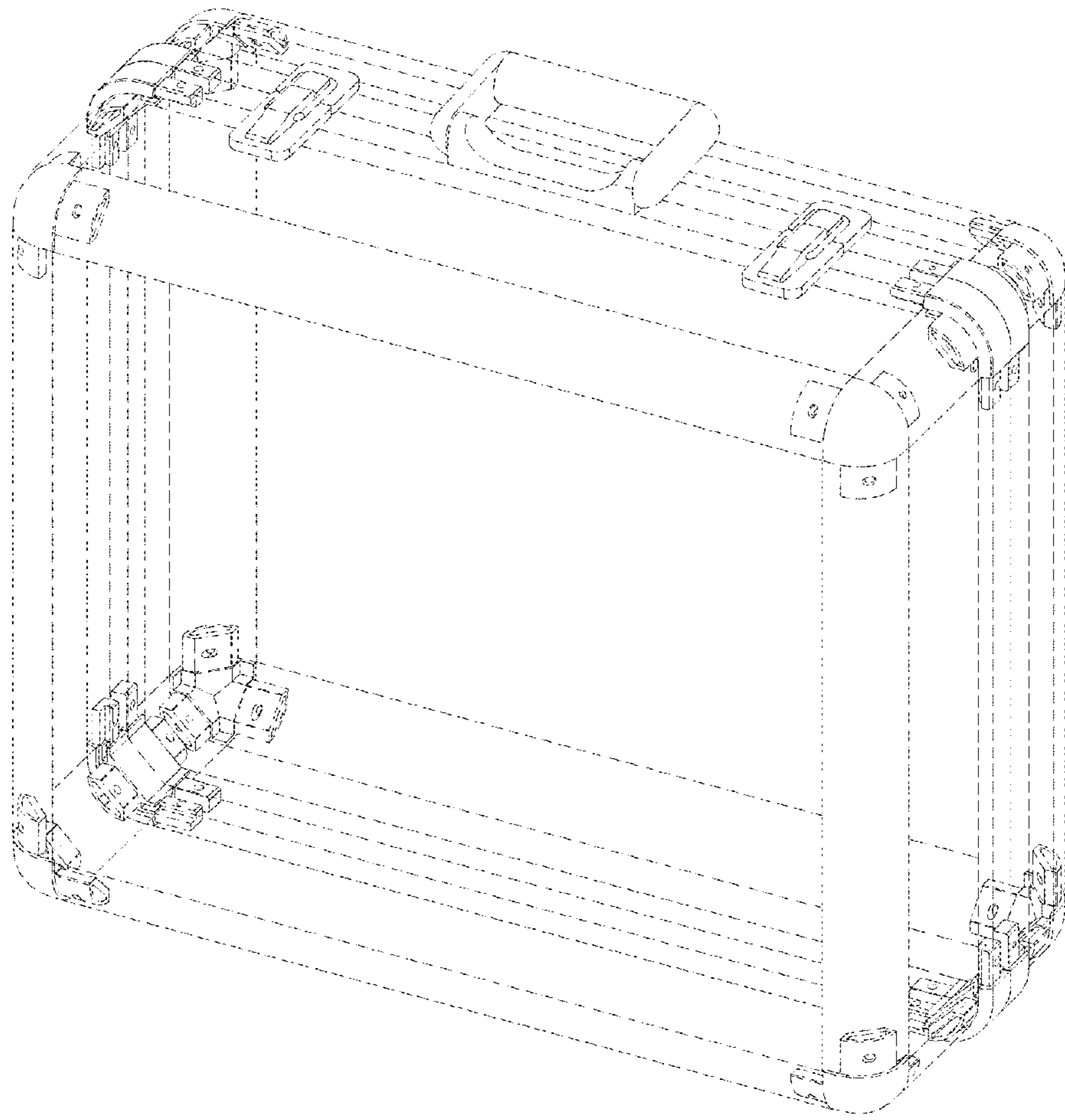


FIG.9

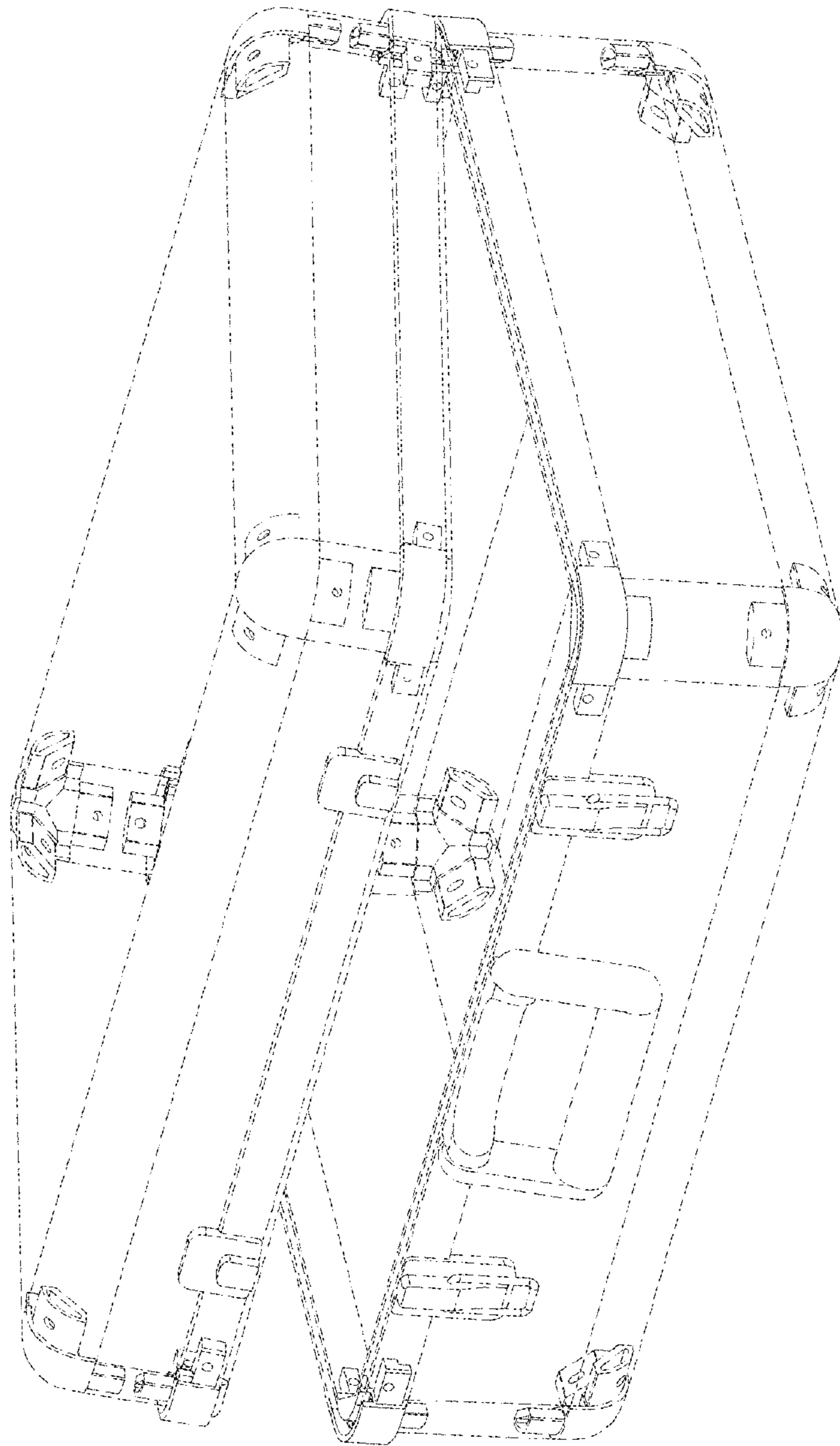


FIG.10