

US00D765402S

(12) **United States Design Patent** (10) **Patent No.:** **US D765,402 S**
Libman et al. (45) **Date of Patent:** **** Sep. 6, 2016**

(54) **CADDY**

(71) Applicant: **The Libman Company**, Arcola, IL (US)

(72) Inventors: **Robert J. Libman**, Champaign, IL (US); **Andrew D. Libman**, Champaign, IL (US); **Aaron Libman**, Champaign, IL (US); **Fernando De Jesus Santos**, Maceira Lra (PT); **Carlos Aguiar**, Arouca (PT)

(73) Assignee: **The Libman Company**, Arcola, IL (US)

(**) Term: **14 Years**

(21) Appl. No.: **29/516,975**

(22) Filed: **Feb. 9, 2015**

(51) **LOC (10) Cl.** **03-03**

(52) **U.S. Cl.**
USPC **D3/315; D6/551**

(58) **Field of Classification Search**
USPC **D3/315; D6/524, 551**
CPC **A47K 17/00**
See application file for complete search history.

(56) **References Cited**

U.S. PATENT DOCUMENTS

D233,196 S	10/1974	Fry
D298,712 S	11/1988	Mattei
D315,269 S	3/1991	Brazis
5,620,105 A	4/1997	Macek
5,727,280 A	3/1998	Romano
5,771,521 A	6/1998	McNamee
D400,748 S	11/1998	France
5,924,566 A	7/1999	Gibbs
D413,470 S	9/1999	Burton
5,971,141 A	10/1999	Shafik
5,984,100 A	11/1999	Ramsey et al.
D423,844 S	5/2000	Bruns et al.
6,109,429 A	8/2000	Cunningham et al.

D449,951 S	11/2001	Schmidt et al.	
D452,401 S	12/2001	Schmidt et al.	
D456,246 S *	4/2002	Drake	D24/188
6,367,621 B1	4/2002	Johnson	
6,446,792 B1	9/2002	Kaniaris, Jr.	
D464,515 S	10/2002	Katz et al.	
D471,393 S	3/2003	Hutchinson	
D474,931 S	5/2003	Baldwin et al.	
6,647,567 B1	11/2003	Baldwin et al.	
6,726,010 B2	4/2004	Kaminstein	
D495,182 S	8/2004	Vitantonio et al.	
6,769,542 B2	8/2004	Polito	
D498,626 S	11/2004	Thomas	
D500,619 S	1/2005	Rich	
6,902,056 B2	6/2005	Dotterman et al.	
D515,858 S	2/2006	Hay	
7,032,270 B2	4/2006	Vitantonio et al.	
D525,467 S *	7/2006	Michelson	D6/524
D529,738 S	10/2006	Shafik et al.	
D530,550 S	10/2006	Shafik et al.	
D579,703 S	11/2008	Nickelson et al.	
7,669,715 B2	3/2010	Wang	

(Continued)

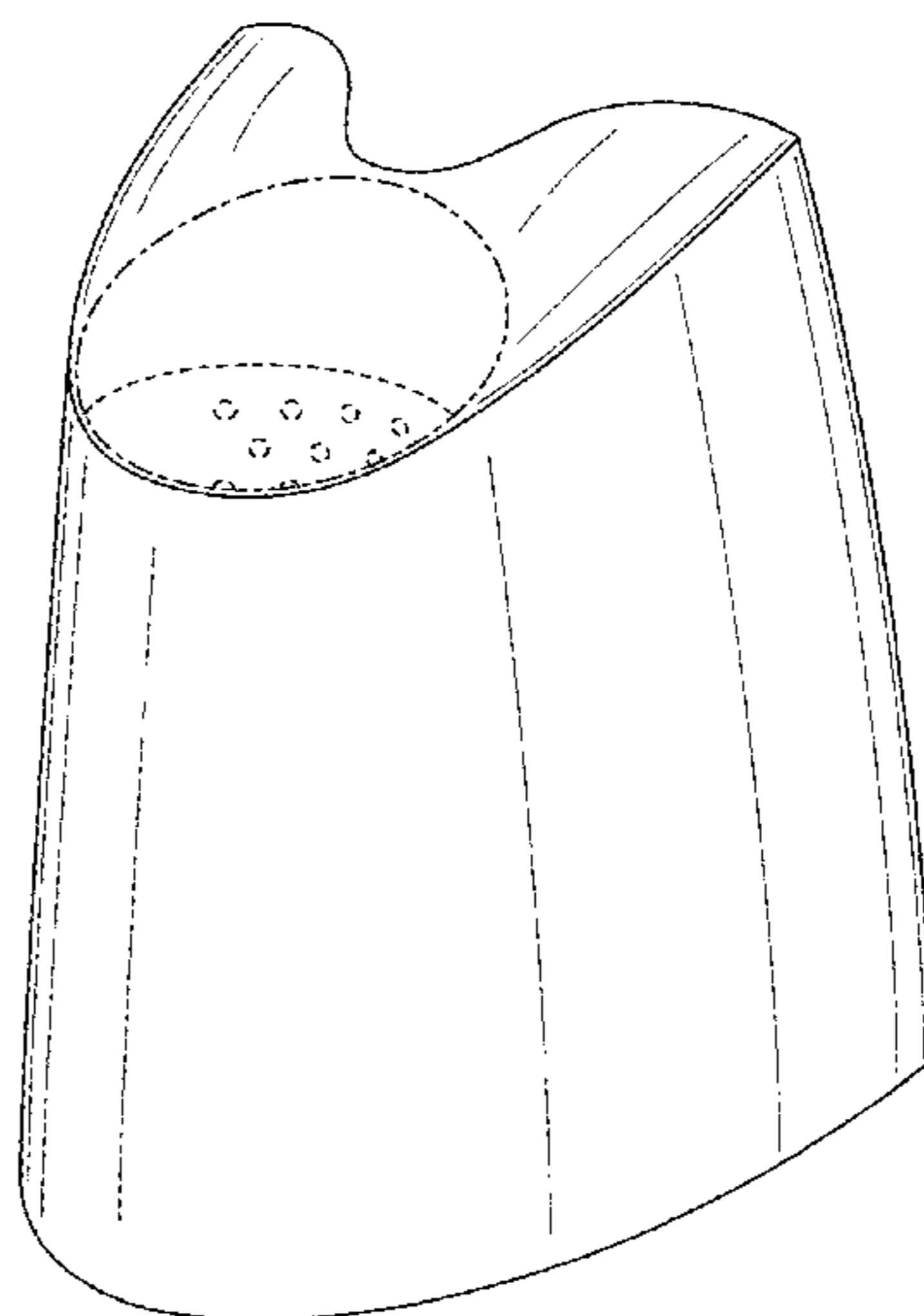
Primary Examiner — Charles Hanson
(74) *Attorney, Agent, or Firm* — Banner & Witcoff, Ltd.

(57) **CLAIM**
The ornamental design for a caddy, as shown and described.

DESCRIPTION

FIG. 1 is a top, front, right perspective view of a caddy showing our new design;
FIG. 2 is a right side view thereof;
FIG. 3 is a rear view thereof;
FIG. 4 is a left side view thereof;
FIG. 5 is a top view thereof;
FIG. 6 is a bottom view thereof; and,
FIG. 7 is a top, rear, left perspective view thereof.
The broken lines immediately adjacent to the shaded area represent unclaimed boundaries of the design. The broken lines showing the remainder of the caddy are for environmental purposes only and form no part of the claimed design.

1 Claim, 7 Drawing Sheets



(56)

References Cited

U.S. PATENT DOCUMENTS

D621,190 S	8/2010	Yoo et al.	8,733,852 B2	5/2014	Gold et al.	
7,766,287 B2	8/2010	Marino	D706,549 S *	6/2014	Cho	D6/524
7,806,256 B2	10/2010	Wildauer et al.	8,827,077 B1	9/2014	Cummins	
D629,635 S *	12/2010	Raven	D717,066 S *	11/2014	Deacon	D6/524
D630,034 S	1/2011	Raven	D725,911 S *	4/2015	McManus	D3/315
7,861,858 B2	1/2011	Wang	2002/0027402 A1	3/2002	Hanser	
7,896,153 B2	3/2011	Shafik	2004/0149608 A1	8/2004	Laux et al.	
8,079,771 B2	12/2011	Ko	2008/0029415 A1	2/2008	Wang	
D651,836 S	1/2012	Libman et al.	2011/0062174 A1	3/2011	Price	
8,342,326 B1	1/2013	Steffes	2011/0083982 A1	4/2011	Lewis	
D680,779 S	4/2013	Tronconi et al.	2014/0076757 A1	3/2014	Fredankey, Sr.	
D688,488 S *	8/2013	Wang	2014/0216957 A1	8/2014	Orozco et al.	
			2016/0000281 A1 *	1/2016	Butts	A47G 29/08 206/581

* cited by examiner

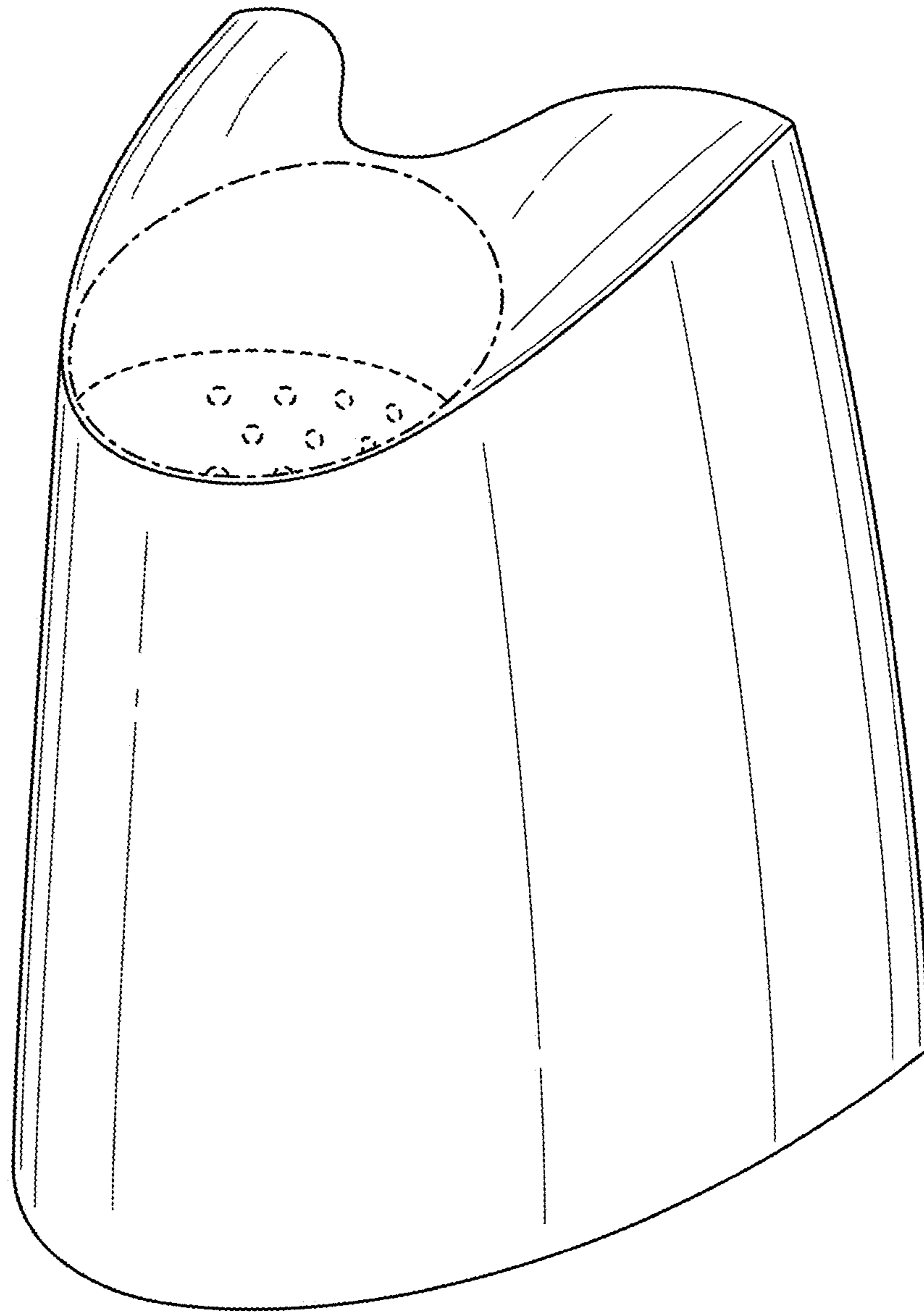


FIG. 1

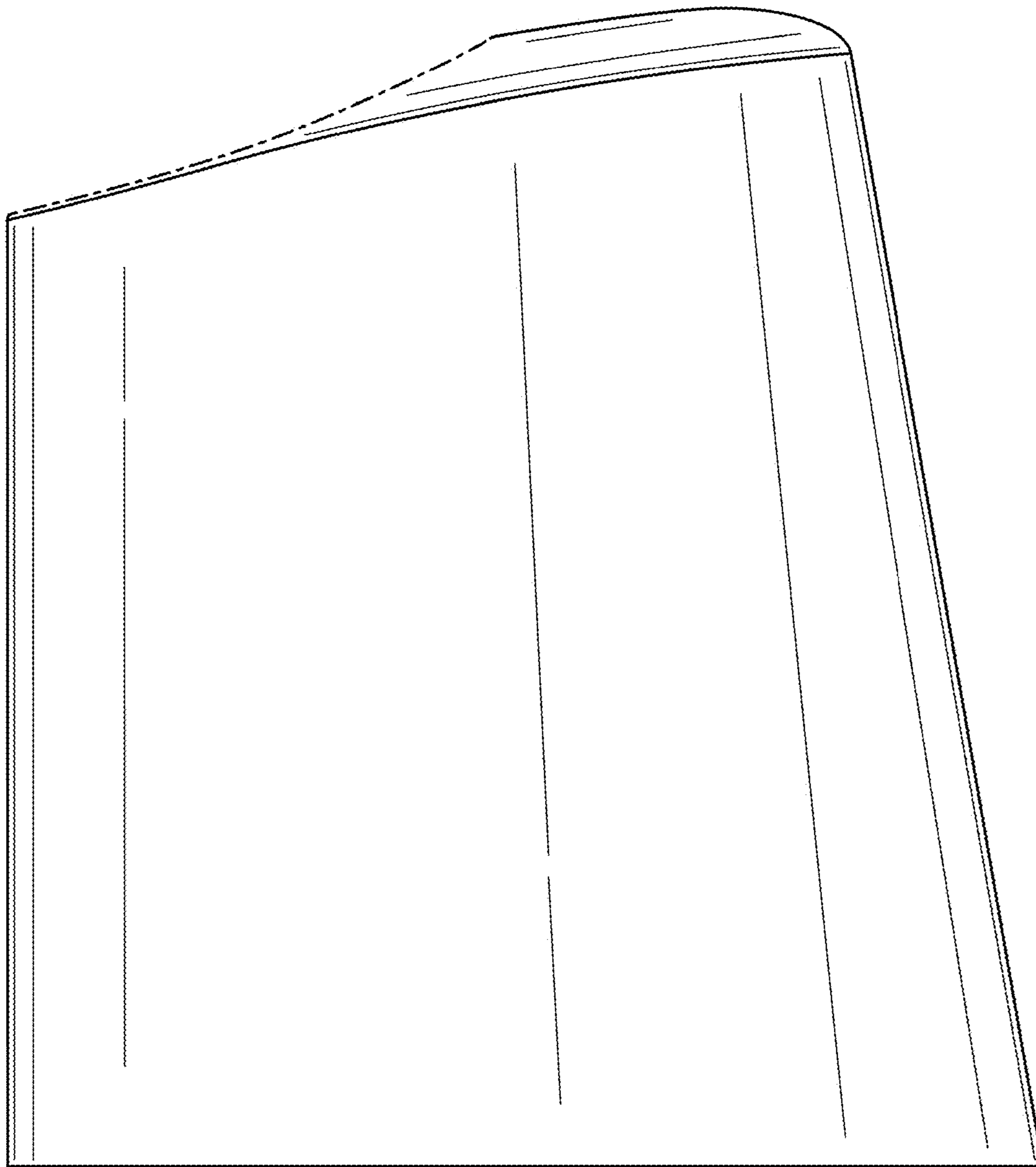


FIG. 2

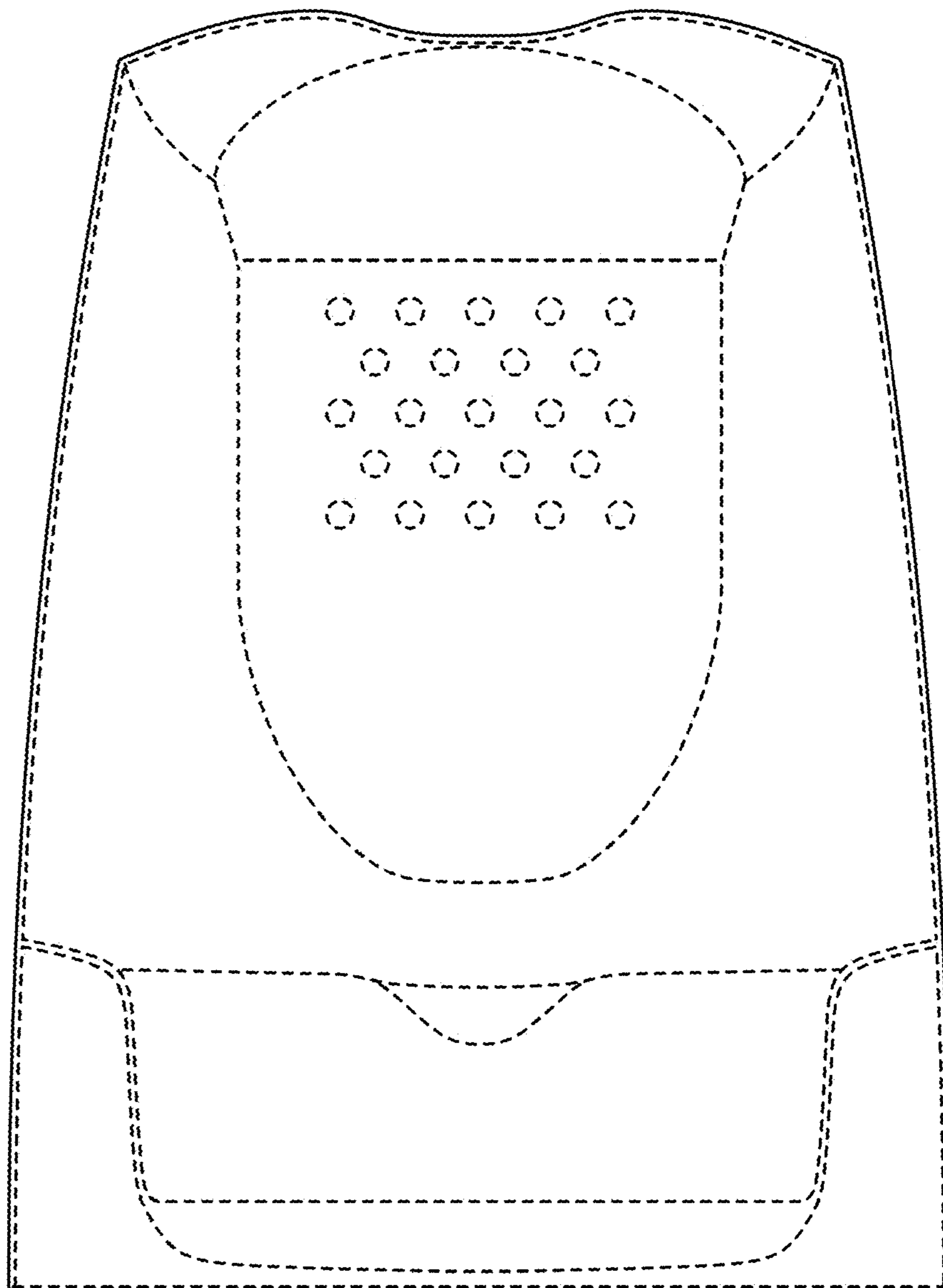


FIG. 3

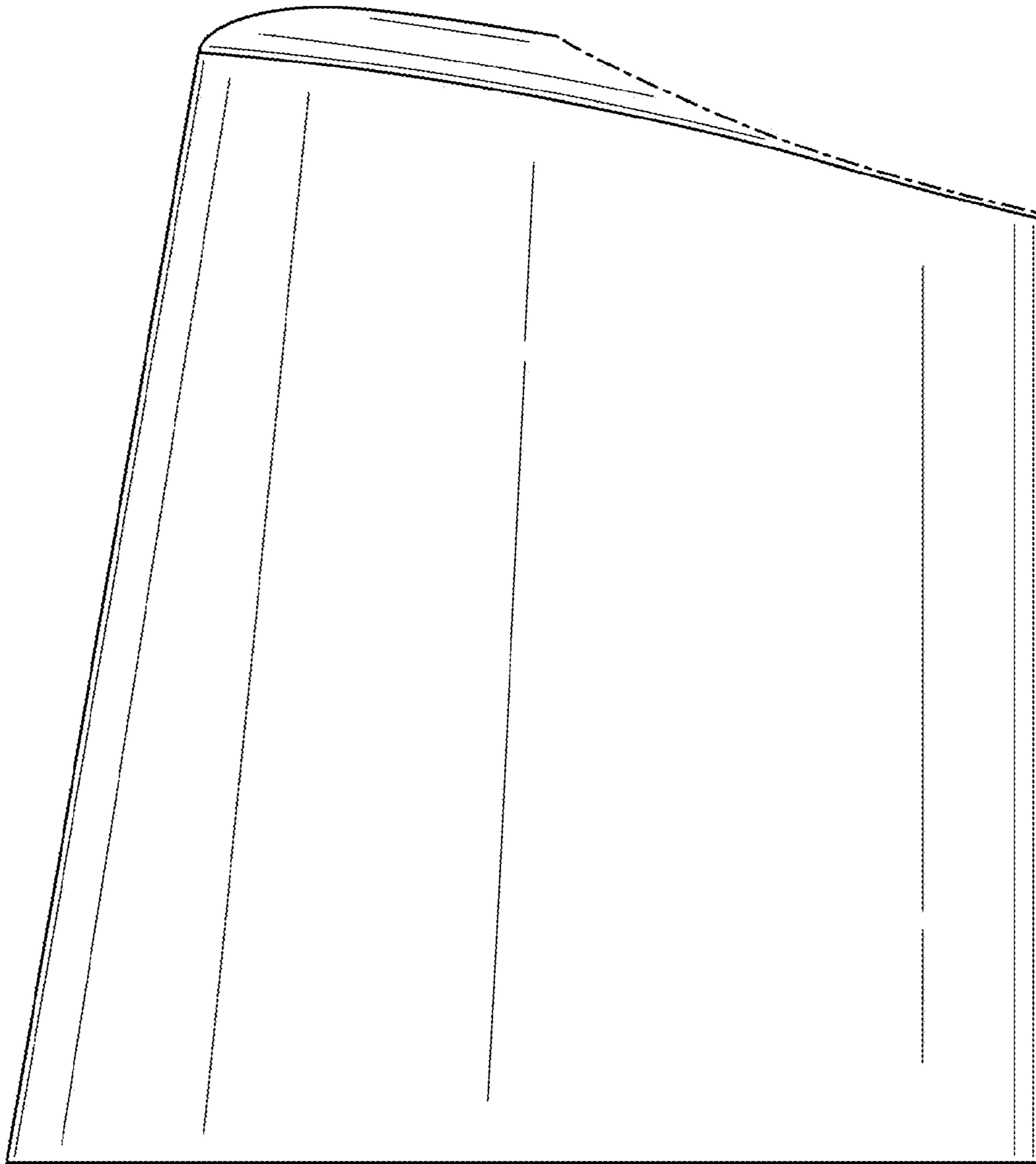


FIG. 4

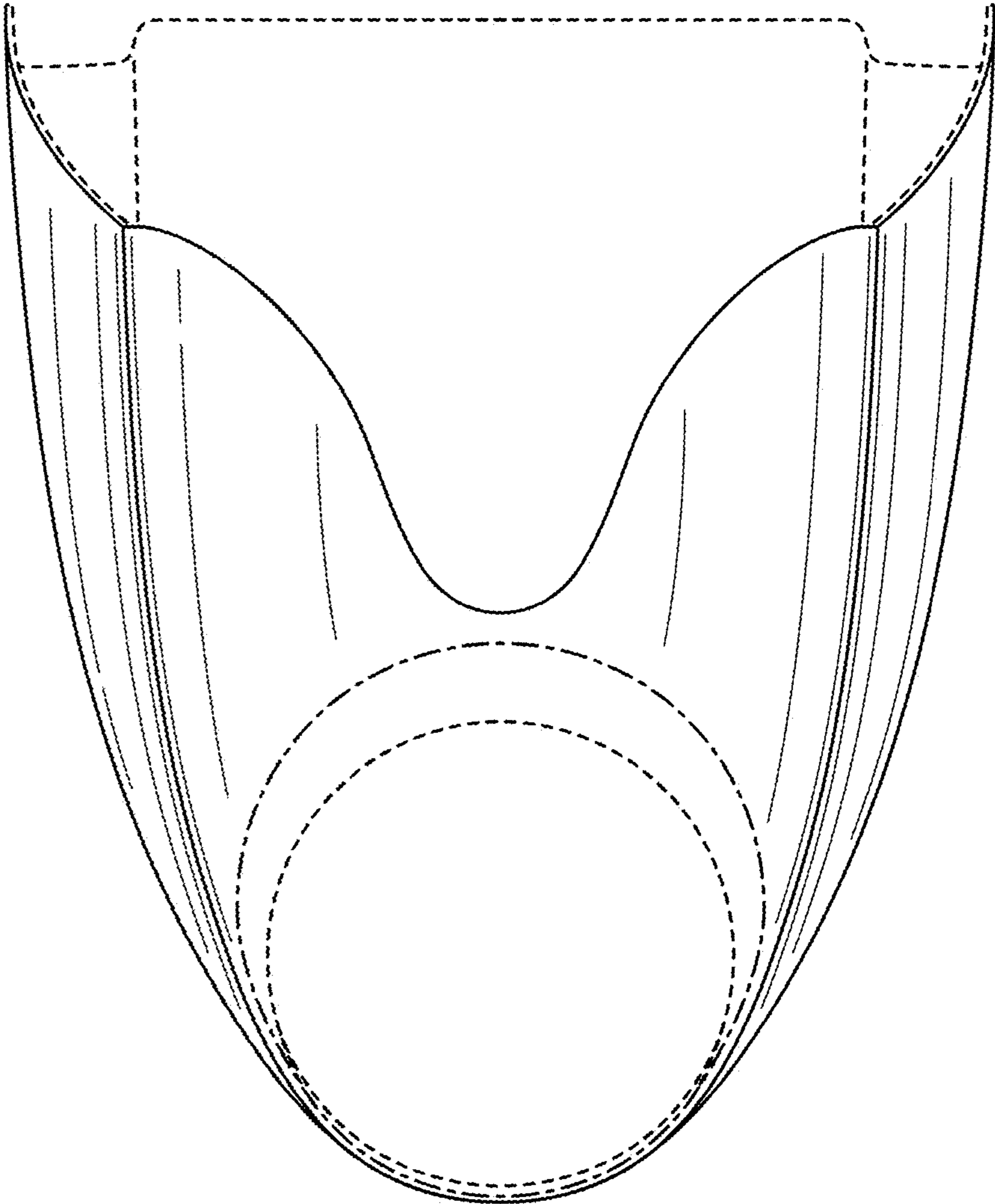


FIG. 5

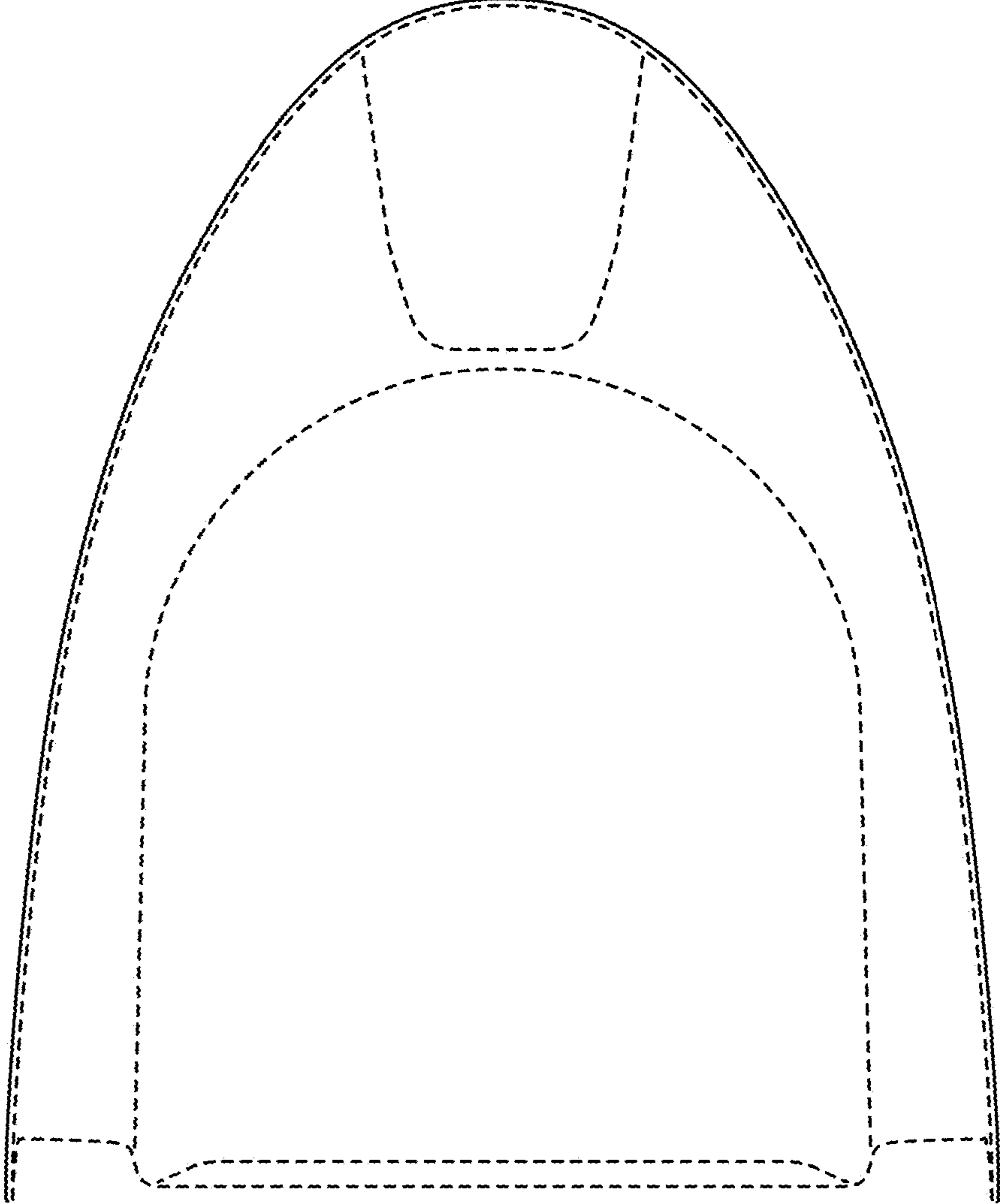


FIG. 6

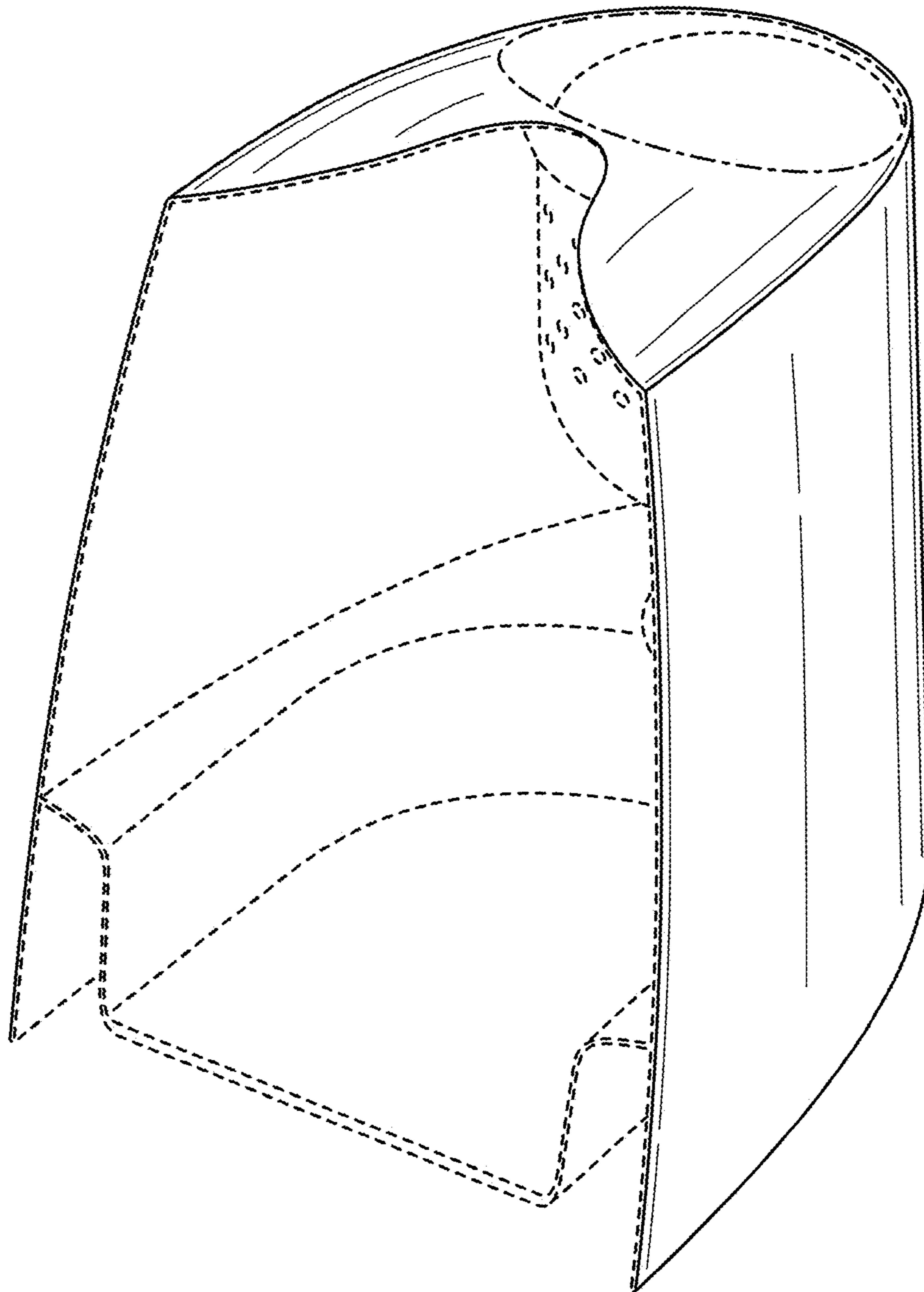


FIG. 7