



US00D765401S

(12) **United States Design Patent** (10) **Patent No.:** **US D765,401 S**
San Martin (45) **Date of Patent:** **** Sep. 6, 2016**

(54) **BEDSIDE MATTRESS ELECTRONICS CADDY**

D727,651 S * 4/2015 San Martin D6/513

* cited by examiner

(71) Applicant: **Ricardo Tomas San Martin**, Anna, TX (US)

Primary Examiner — Charles Hanson

(74) *Attorney, Agent, or Firm* — Guy V. Manning

(72) Inventor: **Ricardo Tomas San Martin**, Anna, TX (US)

(**) Term: **14 Years**

(57) **CLAIM**

The ornamental design for a bedside mattress electronics caddy, as shown and described.

(21) Appl. No.: **29/511,040**

(22) Filed: **Dec. 5, 2014**

(51) **LOC (10) Cl.** **03-02**

(52) **U.S. Cl.**
USPC **D3/315**

(58) **Field of Classification Search**
USPC D3/315; D6/513, 553
CPC B60R 7/046
See application file for complete search history.

DESCRIPTION

FIG. 1 is a perspective view of a bedside mattress electronics caddy showing my new design;
FIG. 2 is a front elevation view thereof;
FIG. 3 is a rear elevation view thereof;
FIG. 4 is a left side view thereof;
FIG. 5 is a right side view thereof;
FIG. 6 is a top plan view thereof; and,
FIG. 7 is a bottom plan view thereof.
The broken line showing in FIG. 1 is included for the purpose of illustrating environment and forms no part of the claimed design.

(56) **References Cited**

U.S. PATENT DOCUMENTS

- 5,031,808 A * 7/1991 Dolenc B60R 7/046 224/280
- D318,771 S * 8/1991 Wellner D6/553
- D377,876 S * 2/1997 Hatala D6/513

1 Claim, 4 Drawing Sheets

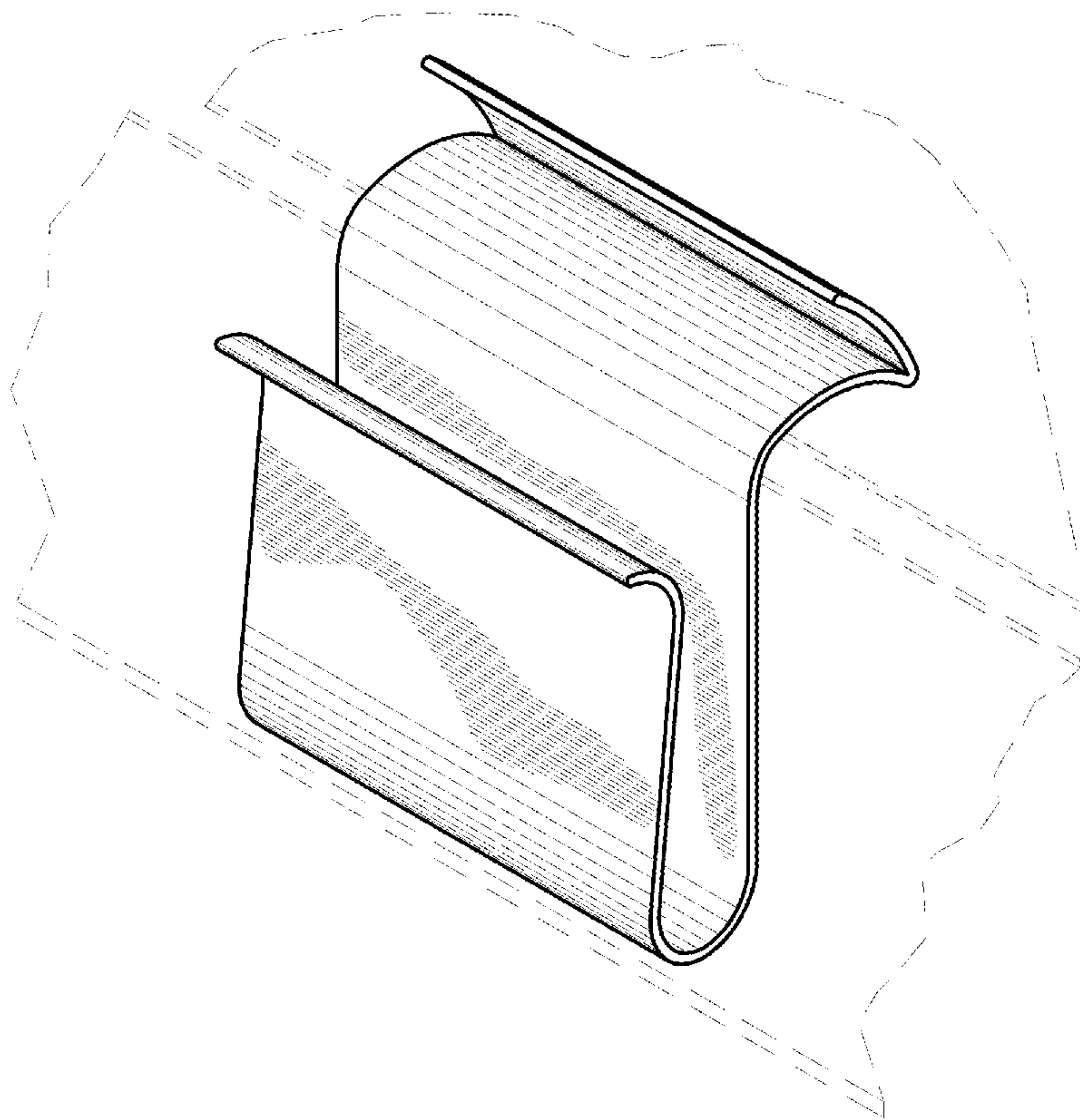


Fig. 1

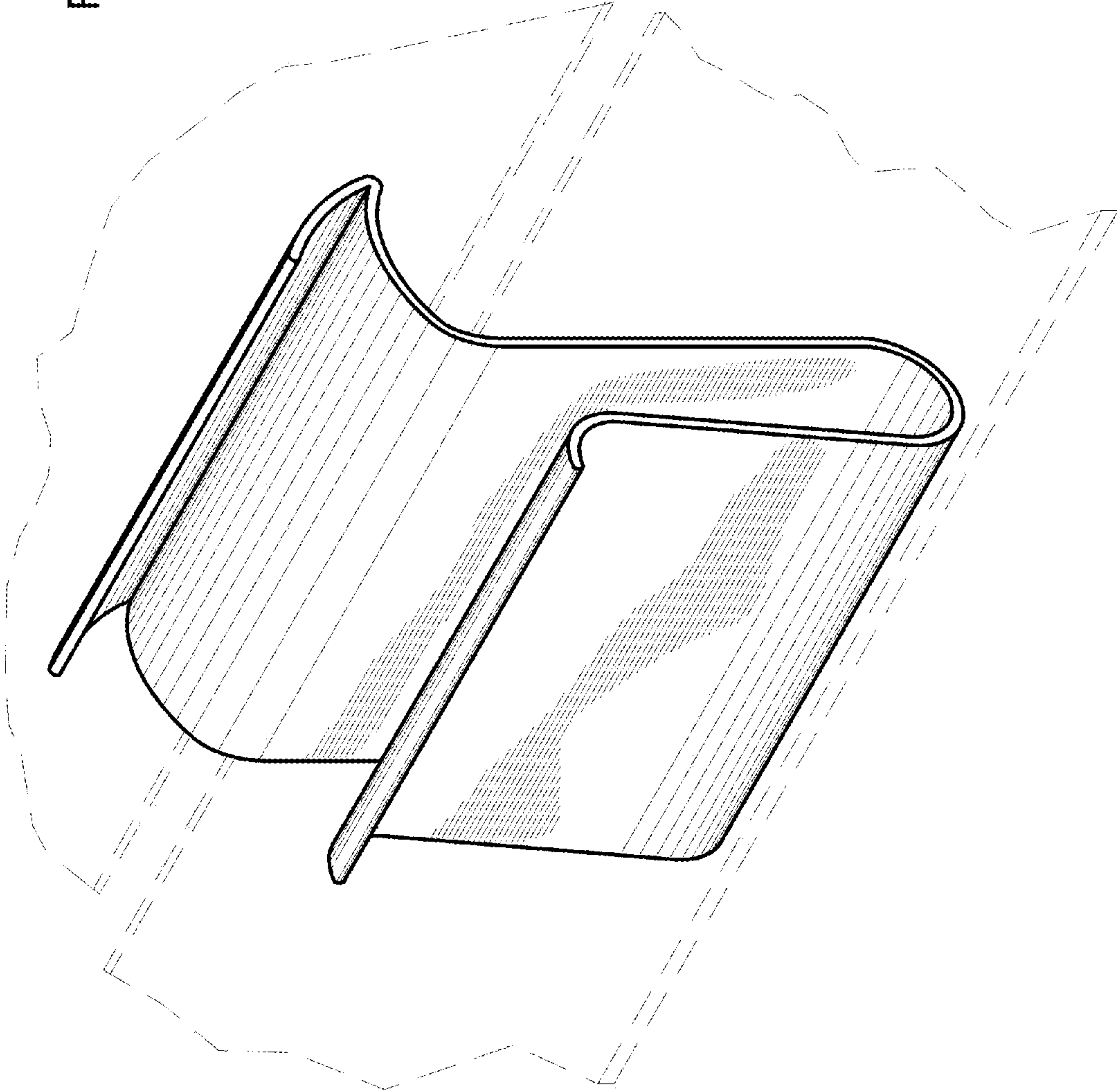


Fig. 2

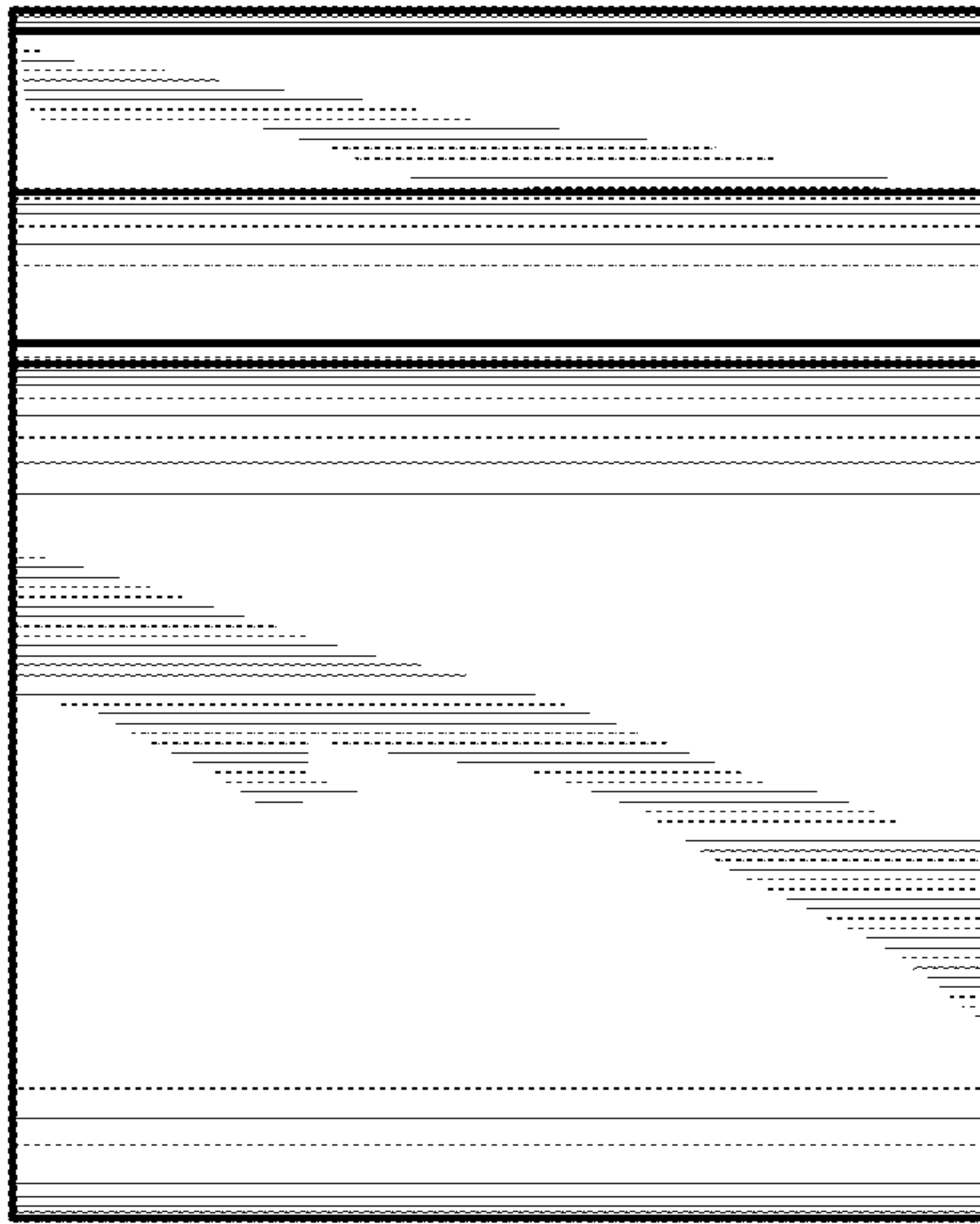


Fig. 3

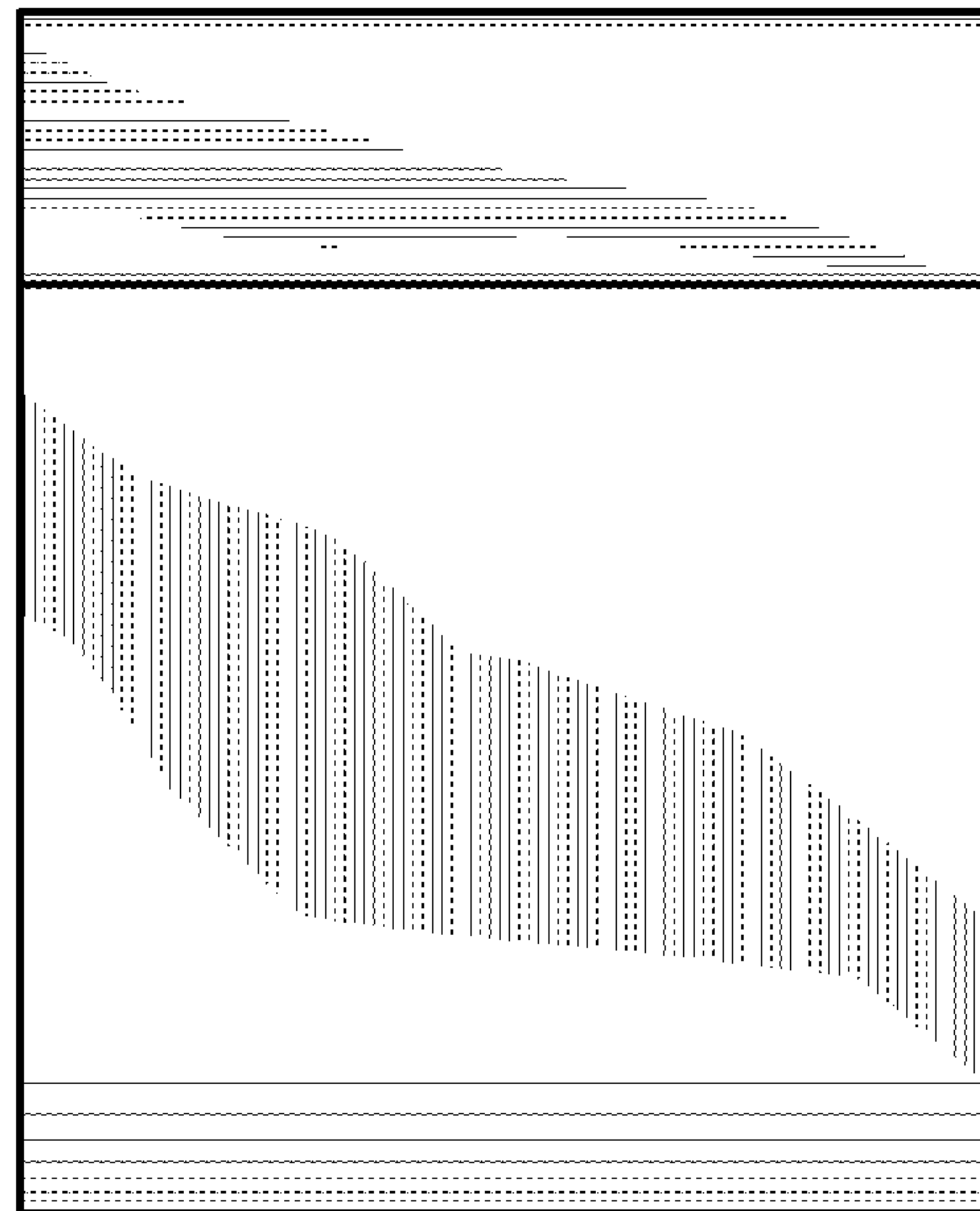


Fig. 4

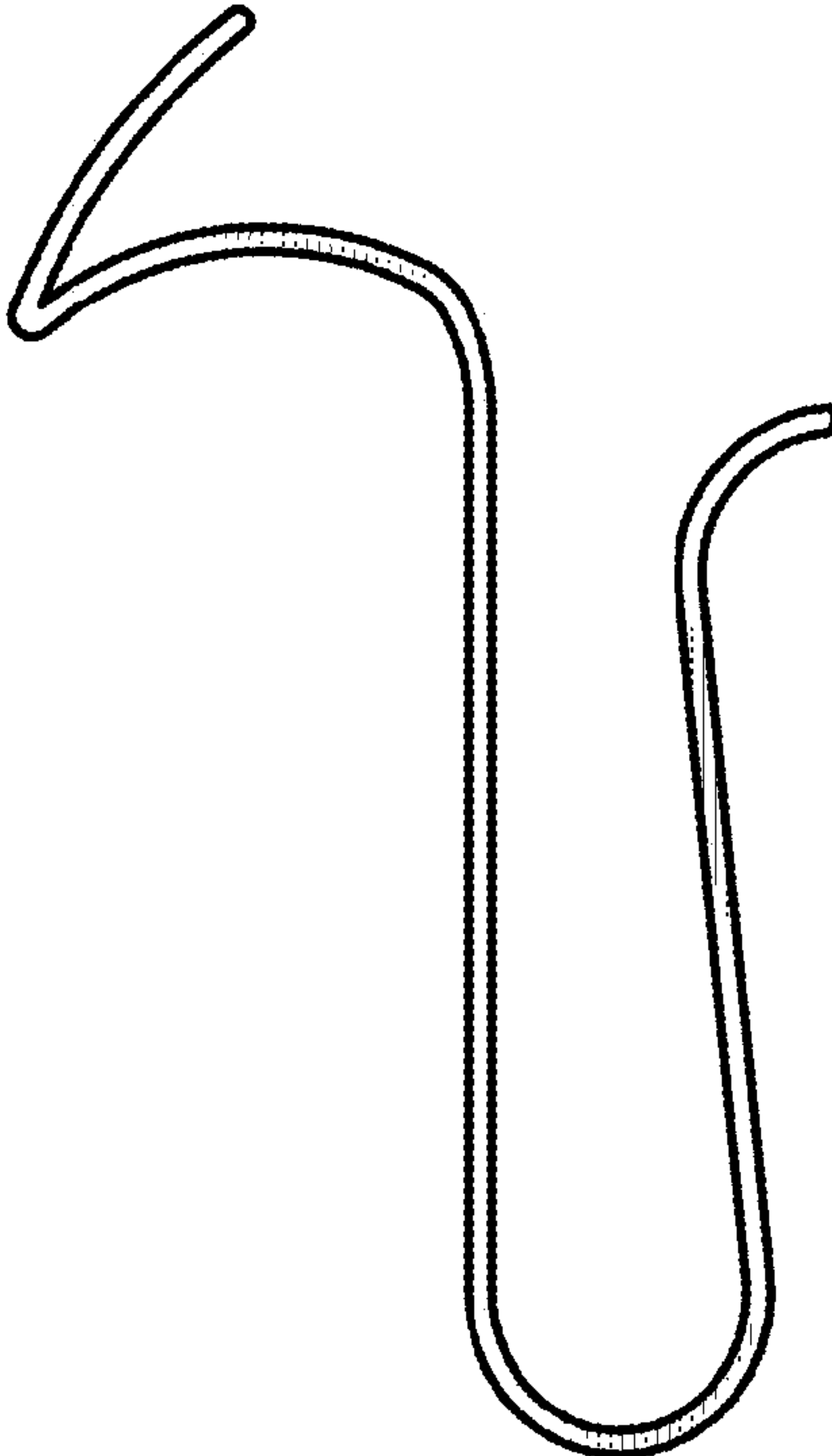


Fig. 5

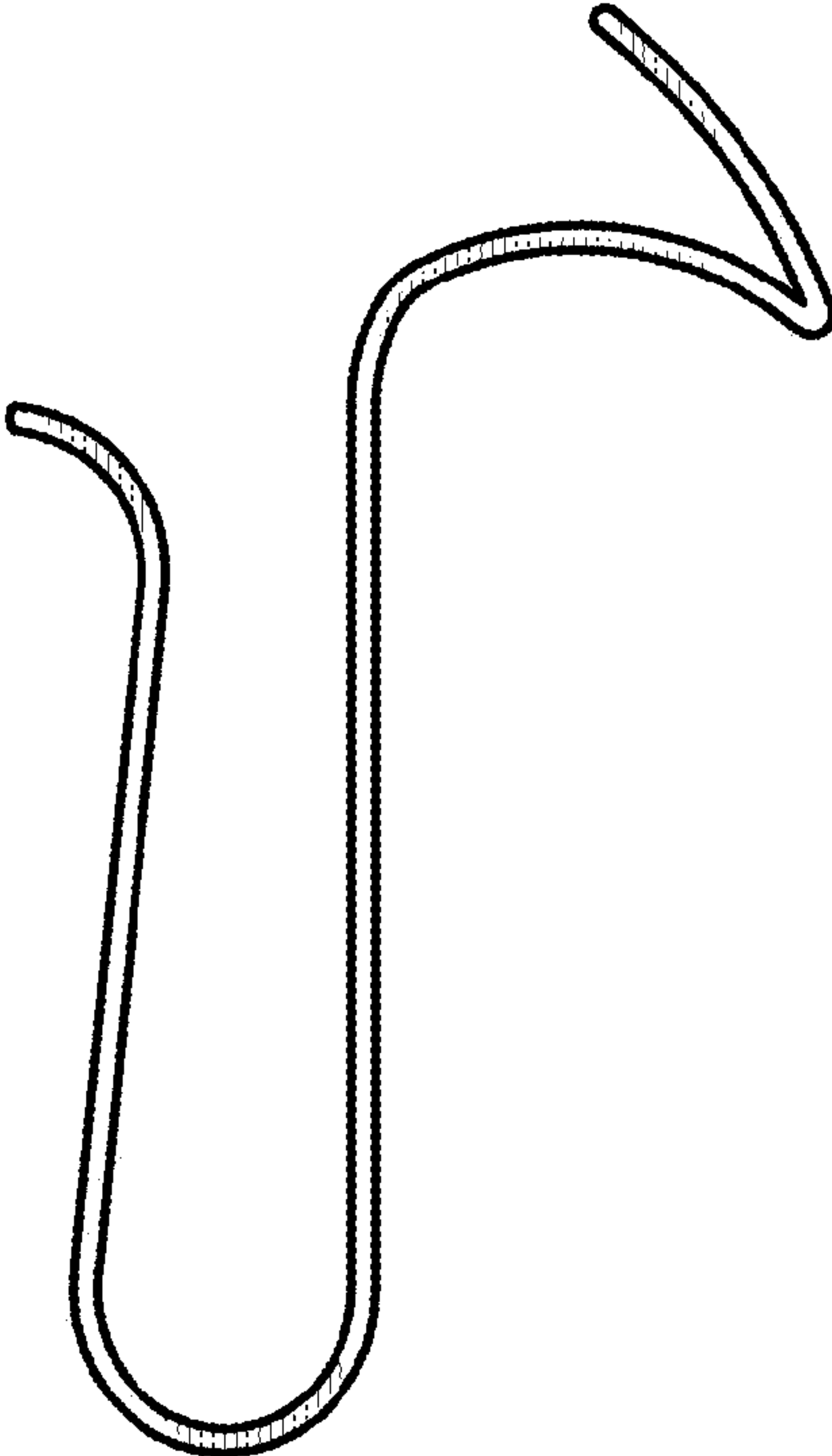


Fig. 6

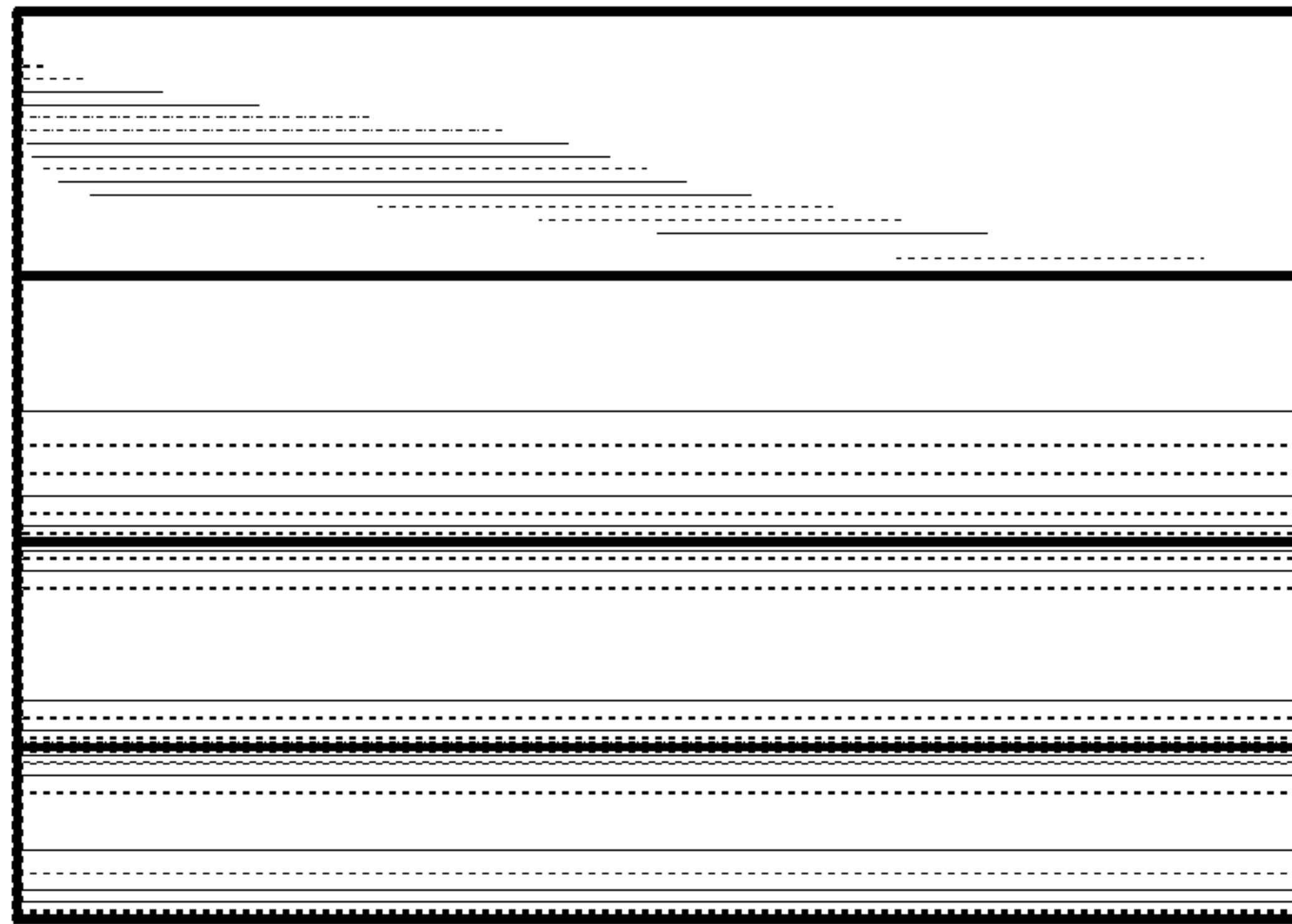


Fig. 7

