



US00D765400S

(12) **United States Design Patent** (10) **Patent No.:** **US D765,400 S**
Hancock (45) **Date of Patent:** **** Sep. 6, 2016**

(54) **WEB WITH APERTURES**
(71) Applicant: **Robin Hancock**, Elkhorn, WI (US)
(72) Inventor: **Robin Hancock**, Elkhorn, WI (US)
(**) Term: **14 Years**
(21) Appl. No.: **29/490,796**
(22) Filed: **May 13, 2014**
(51) **LOC (10) Cl.** **03-02**
(52) **U.S. Cl.**
USPC **D3/315**
(58) **Field of Classification Search**
USPC D3/315
CPC B25H 3/00; B25H 3/04; B25H 3/06;
B25H 3/025
See application file for complete search history.

D372,125 S 7/1996 Frazier
5,678,348 A 10/1997 Zielinski et al.
5,755,057 A 5/1998 Dancer
5,836,446 A 11/1998 Varnom
5,924,568 A * 7/1999 Zajonc B25H 3/026
206/372
5,967,315 A 10/1999 Langtry, II
5,970,651 A 10/1999 Torkilsen et al.
6,073,387 A 6/2000 Torkilsen et al.
6,105,768 A * 8/2000 Brown B25H 3/025
206/373
6,253,484 B1 7/2001 O'Conner
6,254,055 B1 7/2001 Lamberson, Jr.
6,260,697 B1 7/2001 Fraser et al.
6,364,150 B1 4/2002 Persinger

(Continued)

FOREIGN PATENT DOCUMENTS

GB 190722227 A 0/1908
JP 2004089175 A 3/2004

OTHER PUBLICATIONS

Brochure from Gladiator (Whirlpool Corporation) for "hooks, storage bins, baskets & more." www.gladiatorgarageworks.com, Jul. 2, 2013, 2 pages.

(Continued)

(56) **References Cited**

U.S. PATENT DOCUMENTS

2,242,833 A 5/1941 Nibur
2,546,280 A 3/1951 Stein
3,298,532 A * 1/1967 Wilcke A01G 1/12
211/70.6
3,751,845 A 8/1973 van Leeuwen
4,040,549 A 8/1977 Sadler
4,362,243 A 12/1982 Deyesso et al.
4,366,641 A 1/1983 Price et al.
4,759,148 A 7/1988 Love
4,826,007 A 5/1989 Skeie
4,947,998 A * 8/1990 Smeller A47G 25/12
206/373
5,092,463 A * 3/1992 Dees B25H 3/00
206/373
D328,775 S 8/1992 Galante
5,261,556 A 11/1993 Gatto
5,261,561 A 11/1993 Hodges, Jr.
5,271,520 A 12/1993 McAfee
5,350,065 A * 9/1994 Darrey B65D 25/32
206/373
5,379,885 A * 1/1995 Chen B25H 3/06
206/216
5,390,944 A * 2/1995 Sherwin B62B 3/00
211/70.6
5,491,923 A 2/1996 Zingrone

Primary Examiner — Charles Hanson
(74) *Attorney, Agent, or Firm* — Ryan Kromholz & Manion, S.C.

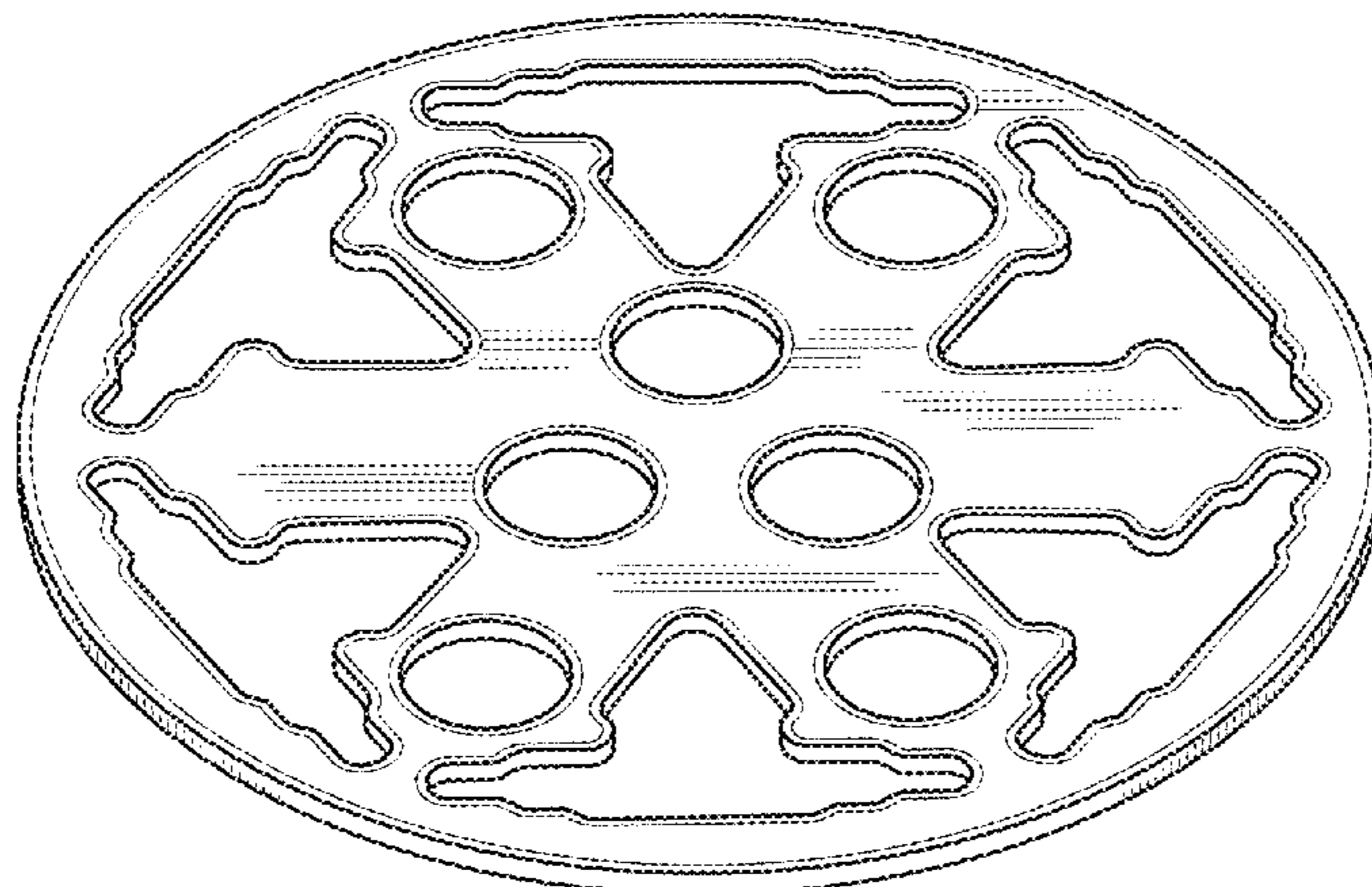
(57) **CLAIM**

The ornamental design for a web with apertures, as shown and described.

DESCRIPTION

FIG. 1 is a perspective view of a web with apertures; FIG. 2 is a top plan view thereof, the bottom plan view being identical; and, FIG. 3 is a front elevation view, the rear elevation view, right side elevation view and left side elevation views being identical.

1 Claim, 1 Drawing Sheet



(56)

References Cited

U.S. PATENT DOCUMENTS

D472,712 S * 4/2003 Sagen D3/313
 D484,753 S 1/2004 Giampavolo
 6,679,377 B2 1/2004 Maddox
 D489,577 S 5/2004 Giampavolo
 6,755,311 B2 6/2004 Berry
 6,883,268 B2 4/2005 Fraser
 7,140,507 B2 11/2006 Maldonado et al.
 7,159,735 B2 1/2007 Morse
 7,228,977 B2 6/2007 Perkins et al.
 7,305,793 B1 12/2007 Macdonald
 D559,043 S 1/2008 Peota et al.
 7,594,353 B2 9/2009 Lucky
 7,676,983 B2 3/2010 Jenkins
 7,686,172 B2 3/2010 Wisnoski et al.
 7,793,905 B2 9/2010 Merritt et al.
 D628,386 S * 12/2010 Kohn D3/313
 7,909,378 B2 3/2011 Alley
 7,937,883 B2 5/2011 Roemer et al.
 8,066,130 B2 11/2011 Shaha et al.
 8,127,965 B1 3/2012 Miller
 D663,207 S * 7/2012 Nelson et al. D9/456

8,240,079 B2 8/2012 Wakefield et al.
 8,375,622 B1 2/2013 Holzmann, Jr.
 D687,225 S * 8/2013 Baker D3/313
 2004/0035808 A1 2/2004 Berry
 2005/0252071 A1 11/2005 Urban
 2006/0137236 A1 6/2006 Diederichs
 2006/0196101 A1 9/2006 Mrotek
 2006/0277814 A1 12/2006 Lucky
 2007/0017142 A1 1/2007 Jaworski
 2008/0116343 A1 5/2008 Simonsen
 2008/0179215 A1 * 7/2008 Arvin A45D 33/00
 206/581
 2011/0174752 A1 7/2011 Liao

OTHER PUBLICATIONS

Brochure from Uniweb, Inc. for wail hanging accessories. Printed May 13, 2014, 2 pages, <http://www.uniwebinc.com/catalog>.
 Slatwall Wire Hardware, www.spacewall.com/wire_hardware.htm, Jul. 1, 2013, 3 pages.
 Slatwall Basket, http://diamondlifegear.com/slatwall_baskets.html, Jul. 1, 2013, 1 page.

* cited by examiner

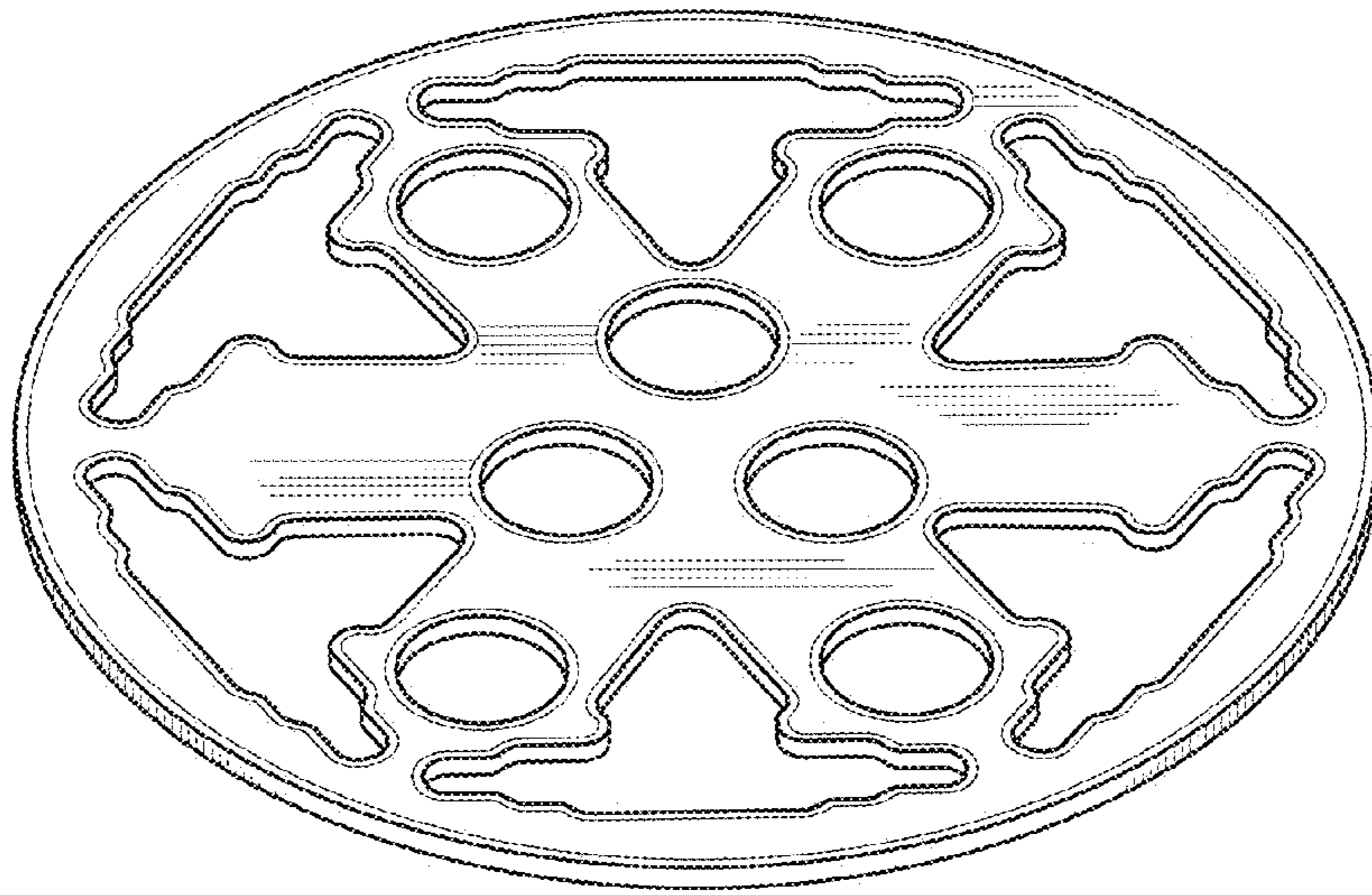


Fig. 1

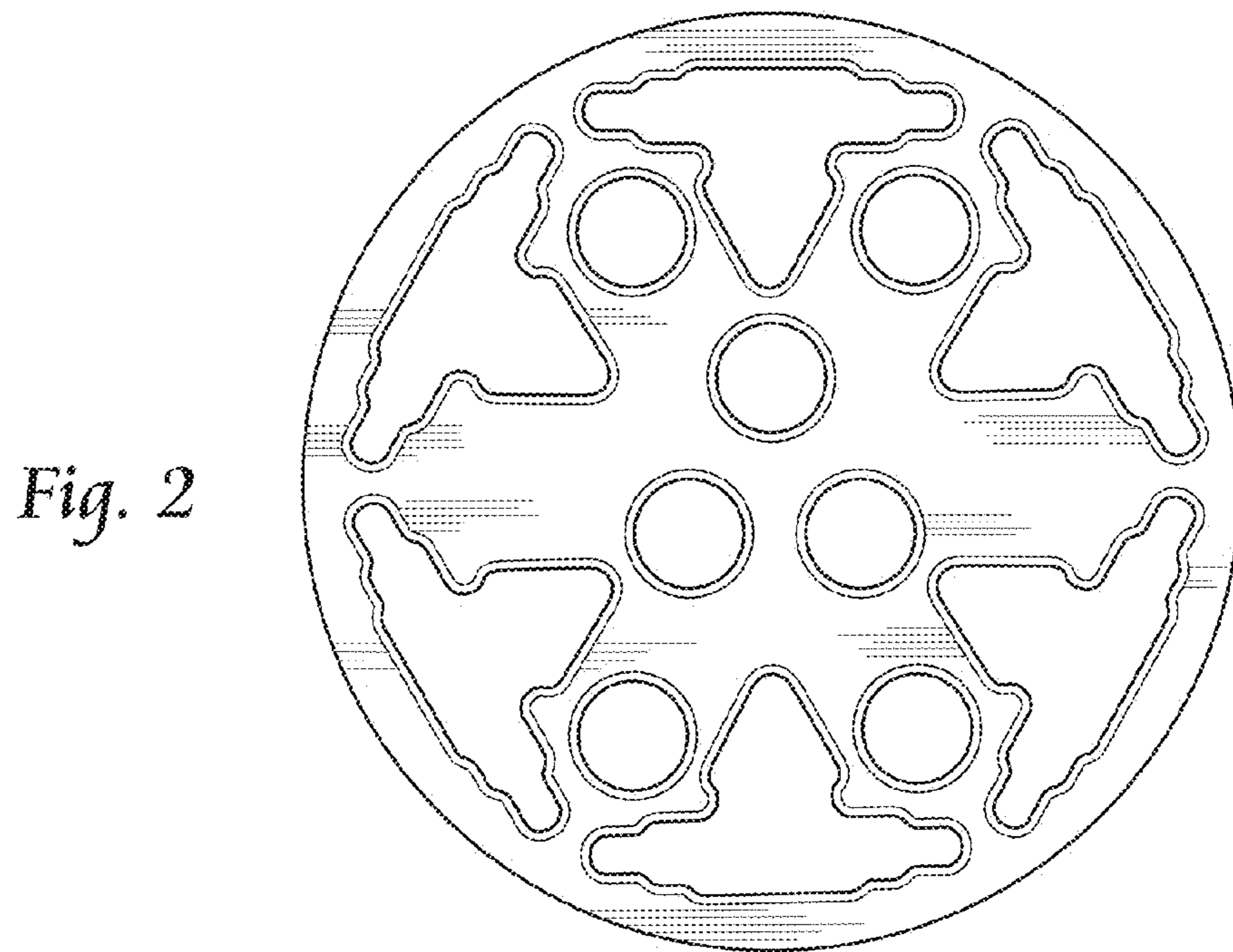


Fig. 2

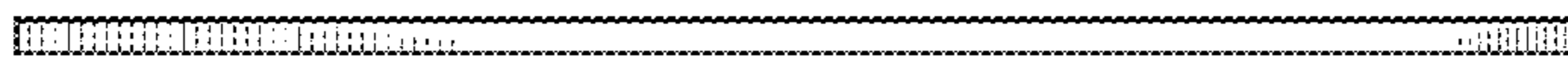


Fig. 3