



US00D765399S

(12) **United States Design Patent** (10) **Patent No.:** **US D765,399 S**  
**Tarter** (45) **Date of Patent:** **\*\* Sep. 6, 2016**

- (54) **SHOPPING CART BAG**
- (71) Applicant: **Doris A. Tarter**, Aliso Viejo, CA (US)
- (72) Inventor: **Doris A. Tarter**, Aliso Viejo, CA (US)
- (\*\*) Term: **15 Years**
- (21) Appl. No.: **29/533,531**
- (22) Filed: **Jul. 17, 2015**

D672,933 S \* 12/2012 Fredendall ..... D34/27  
 D681,900 S \* 5/2013 Fredendall ..... D34/27  
 D736,521 S \* 8/2015 Tarter ..... D3/310

\* cited by examiner

*Primary Examiner* — Kelley Donnelly

(74) *Attorney, Agent, or Firm* — Katherine M. Bond; Leech Tishman Fuscaldo & Lampl

(57) **CLAIM**

The ornamental design for a shopping cart bag, as shown and described.

**Related U.S. Application Data**

- (62) Division of application No. 29/479,890, filed on Jan. 21, 2014, now Pat. No. Des. 736,521.
- (51) **LOC (10) Cl.** ..... **03-01**
- (52) **U.S. Cl.**  
USPC ..... **D3/310**
- (58) **Field of Classification Search**  
USPC ..... D3/267, 279, 283, 303–311, 318;  
D6/409; D7/607; D34/16–17, 21,  
D34/23–25; 206/373; 280/35, 47.26  
CPC ..... B65D 27/00; B65D 33/002  
See application file for complete search history.

**DESCRIPTION**

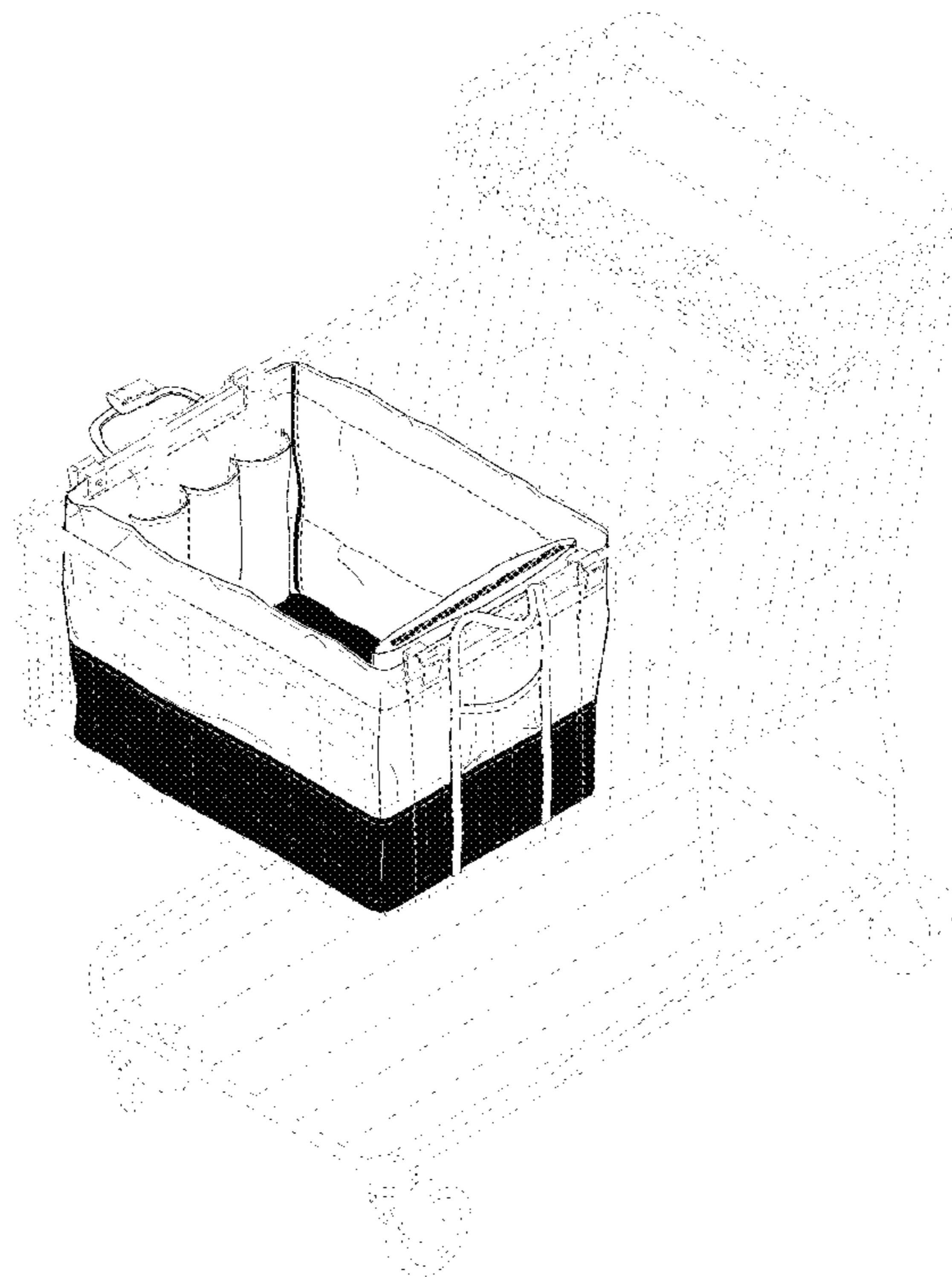
FIG. 1 is a perspective view of a shopping cart bag, showing my new design in use condition;  
 FIG. 2 is a top plan view of the shopping cart bag;  
 FIG. 3 is a front elevation view of the shopping cart bag;  
 FIG. 4 is a side view of the shopping cart bag;  
 FIG. 5 is a perspective view of the shopping cart bag;  
 FIG. 6 is an expanded view of the top of the shopping cart bag;  
 FIG. 7 is a perspective view of the shopping cart bag folded up; and,  
 FIG. 8 is a perspective view of the shopping cart bag rolled up.  
 The shopping cart shown in broken lines in FIGS. 1 illustrates the shopping cart while in use, and forms no part of the claimed design.  
 The series of dashed lines on the shopping cart bag in FIGS. 1-5, and 7-8 represent stitching.

(56) **References Cited**

**U.S. PATENT DOCUMENTS**

- 4,765,644 A \* 8/1988 Bell ..... B62B 3/027  
280/33.992
- D321,071 S \* 10/1991 Dickinson ..... D34/17
- D525,758 S \* 7/2006 Lynch ..... D34/12
- D672,932 S \* 12/2012 Fredendall ..... D34/27

**1 Claim, 4 Drawing Sheets**



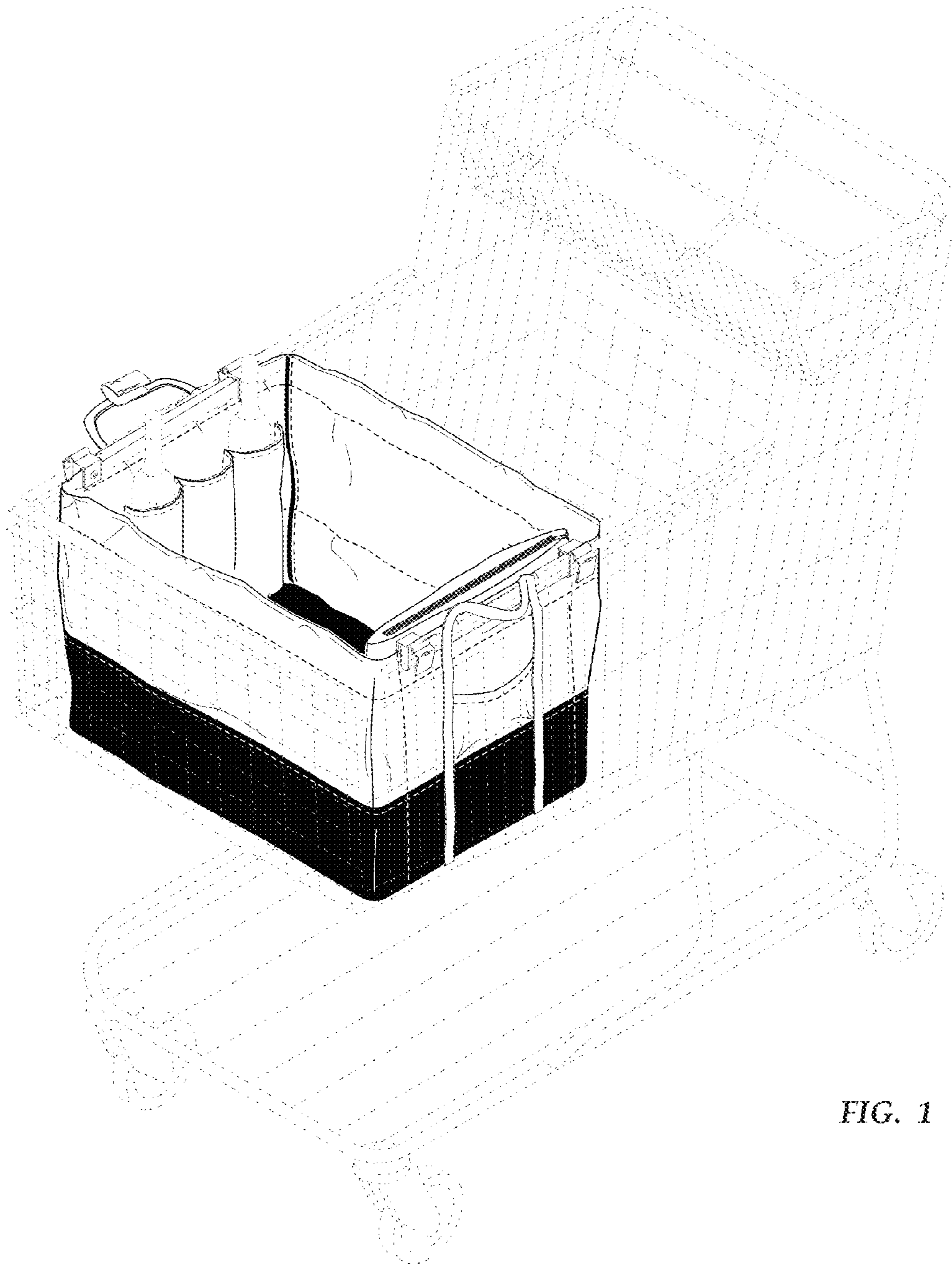


FIG. 1

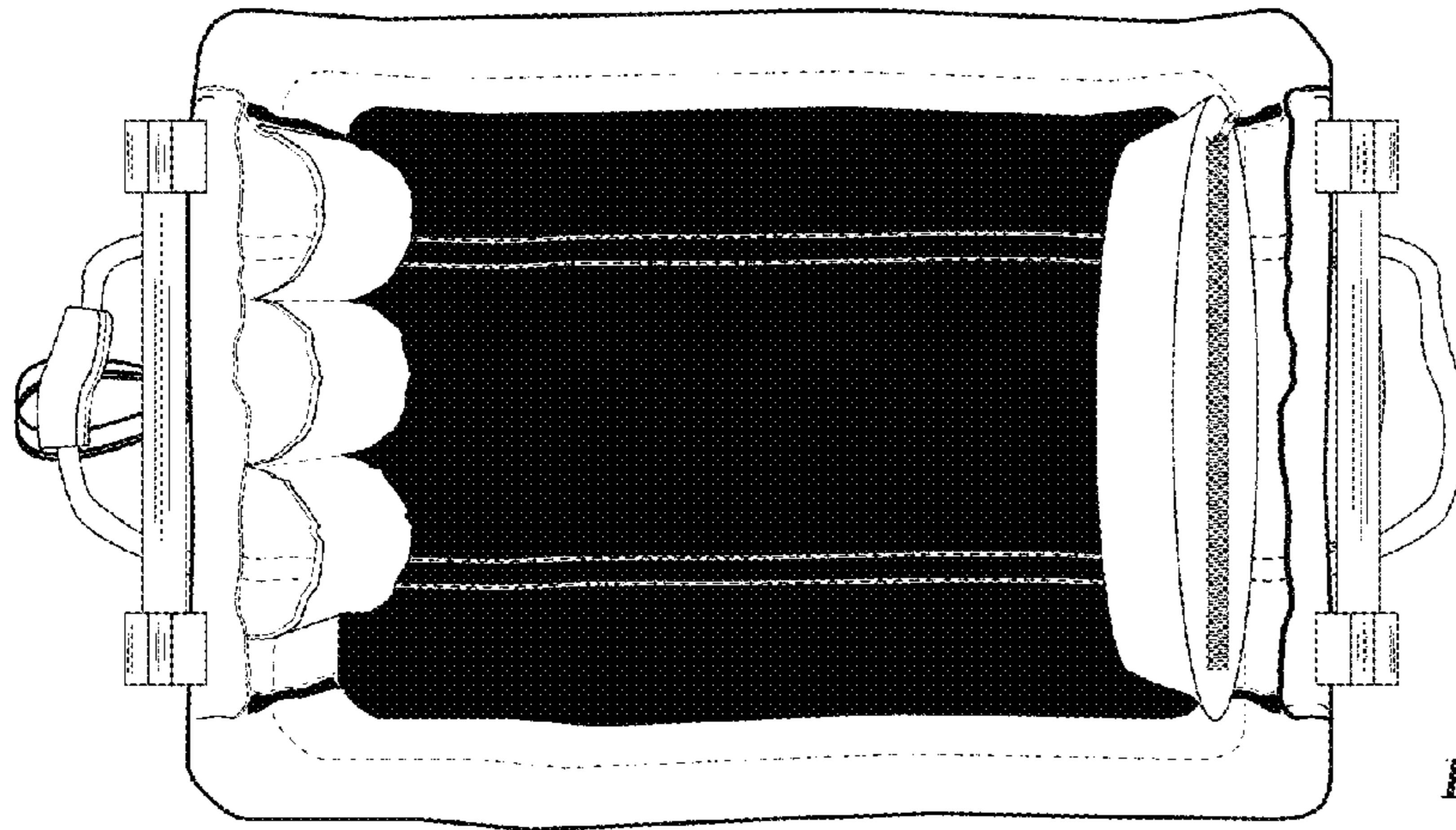


FIG. 2

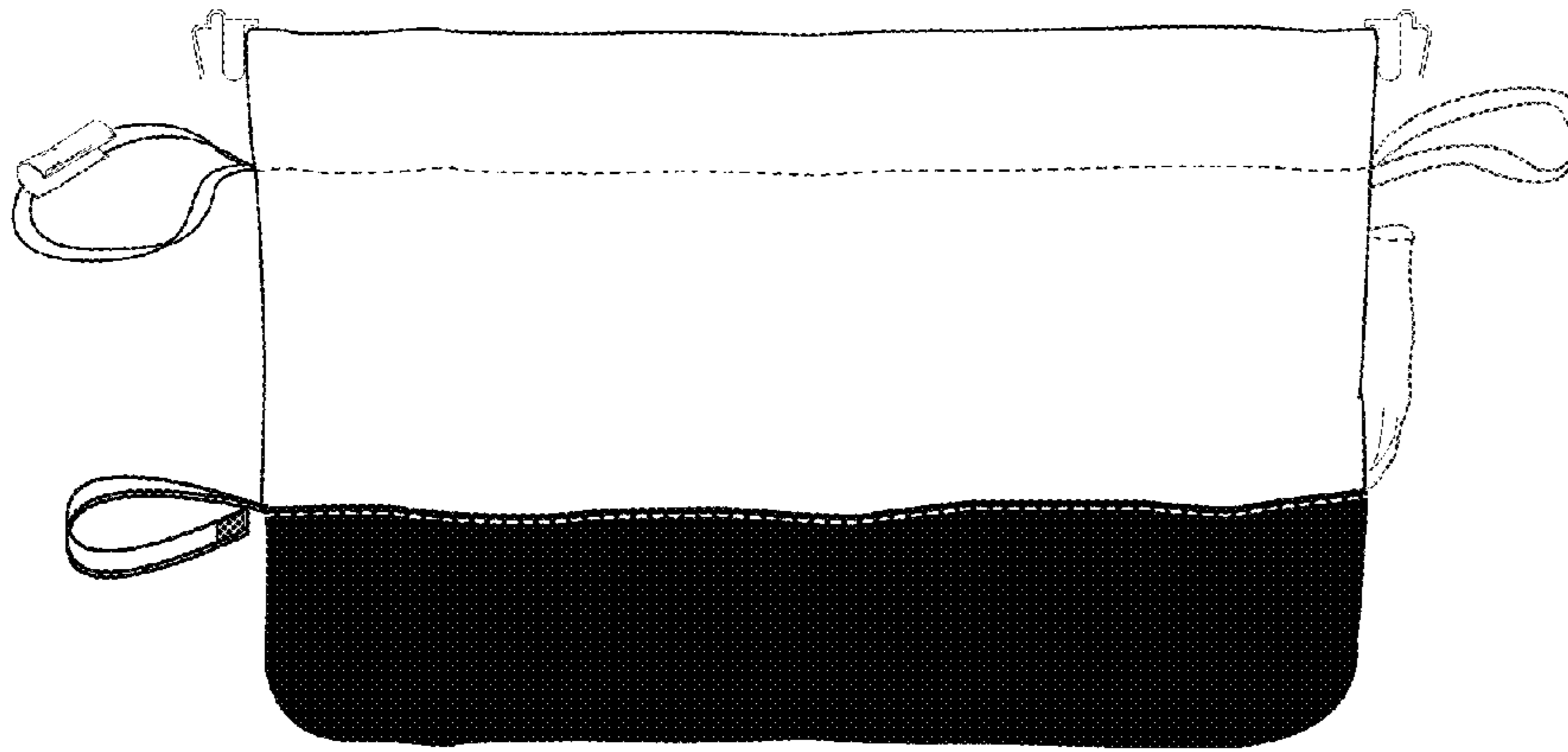


FIG. 3

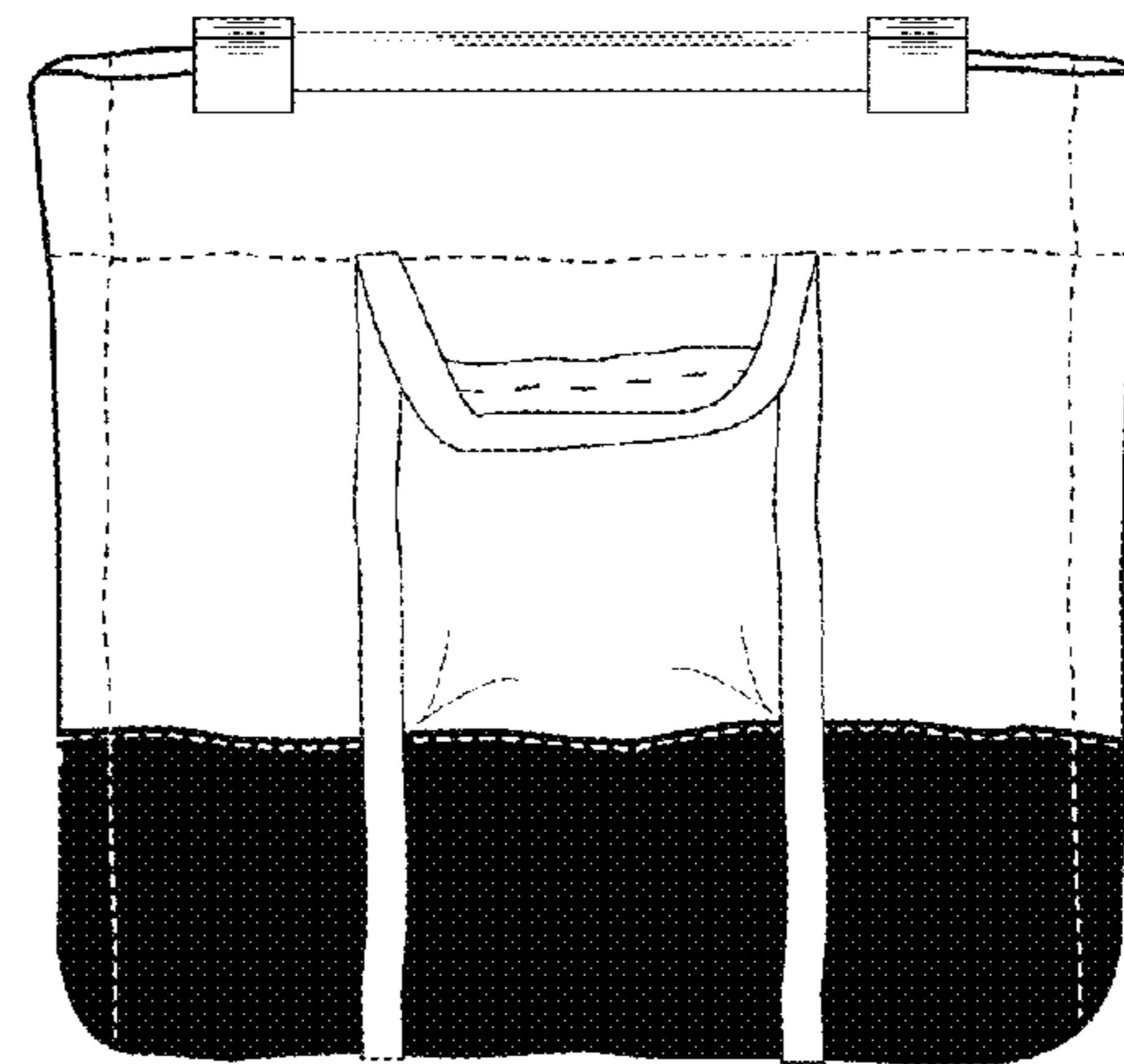


FIG. 4

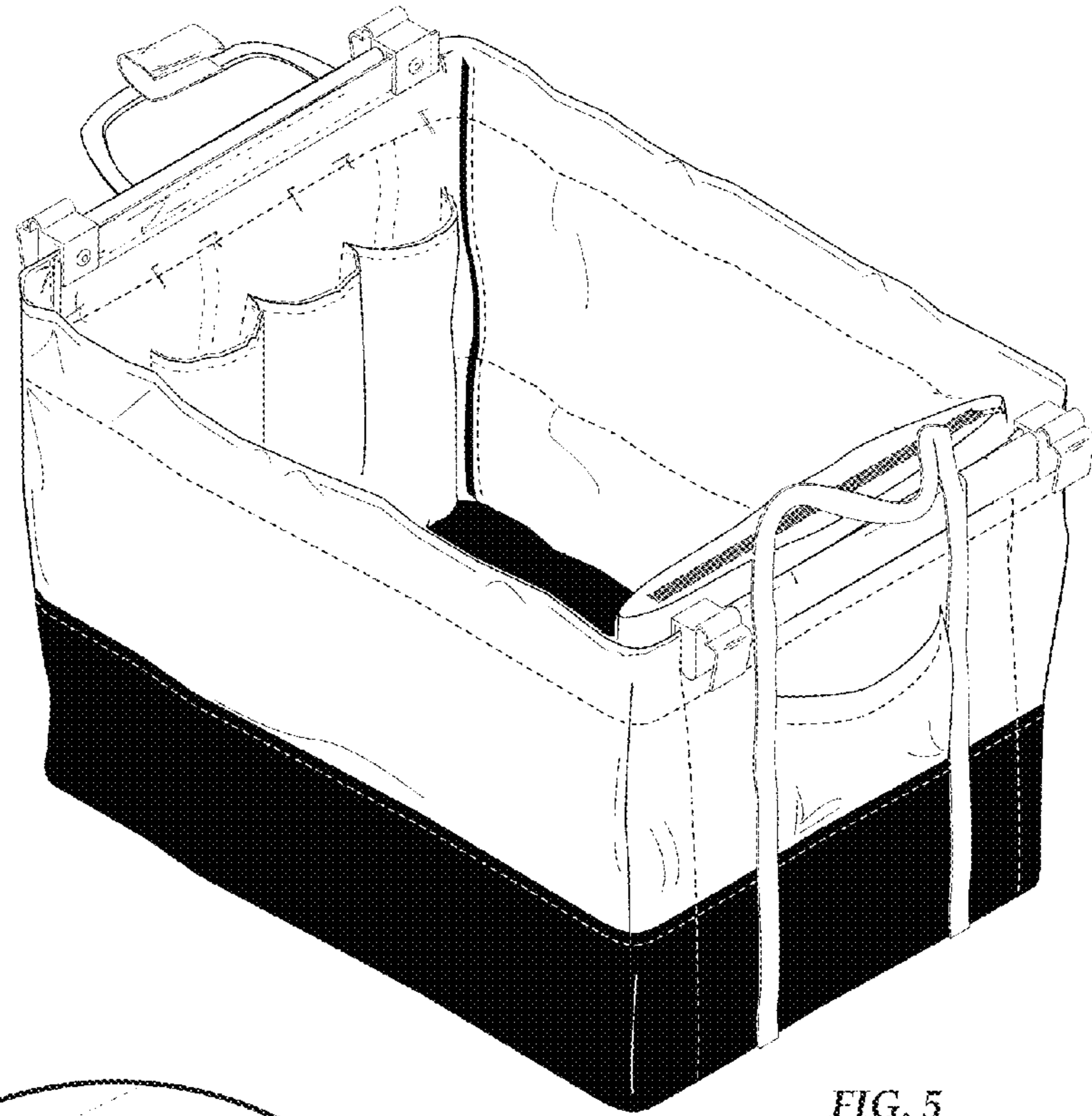


FIG. 5

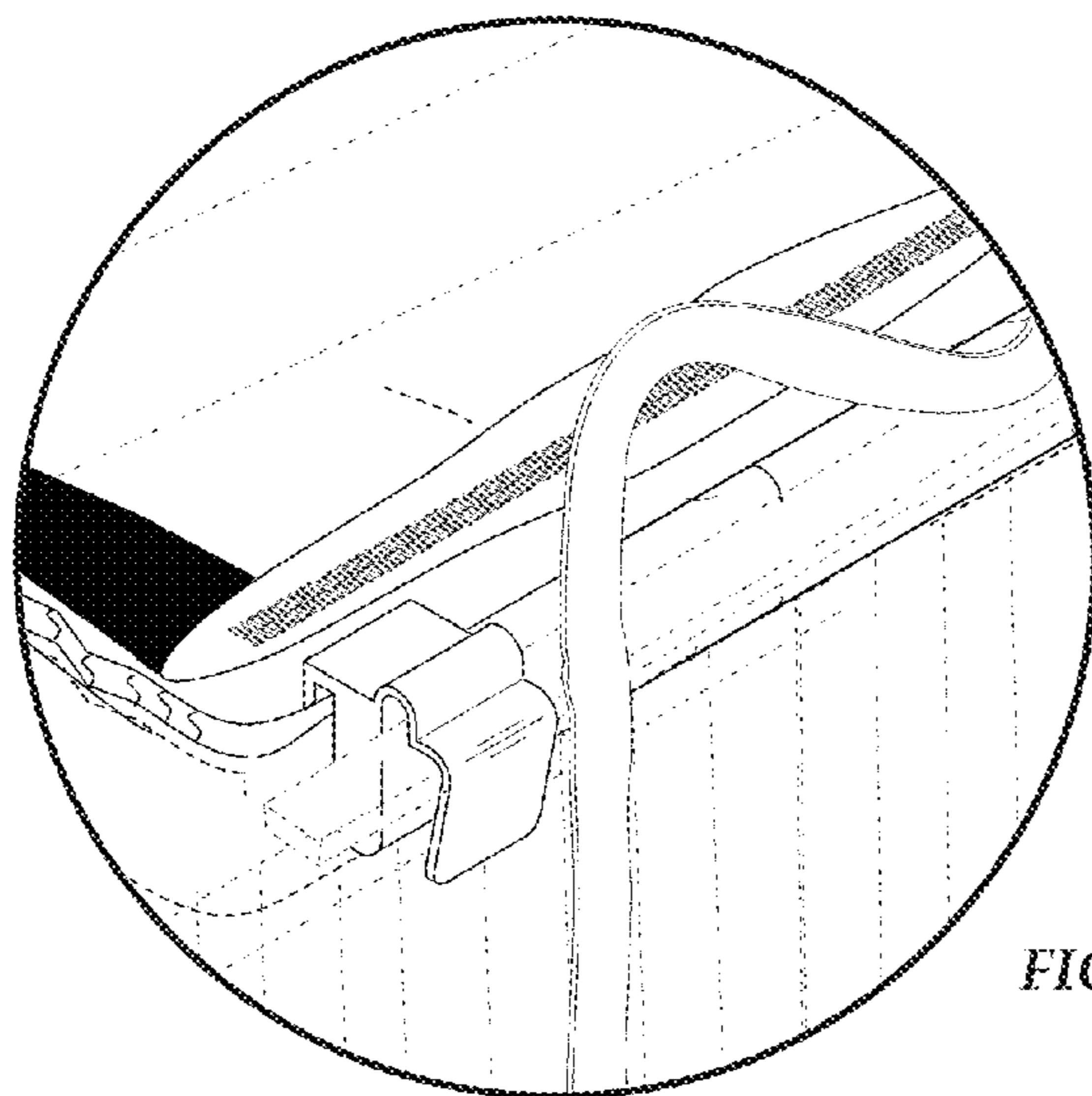


FIG. 6



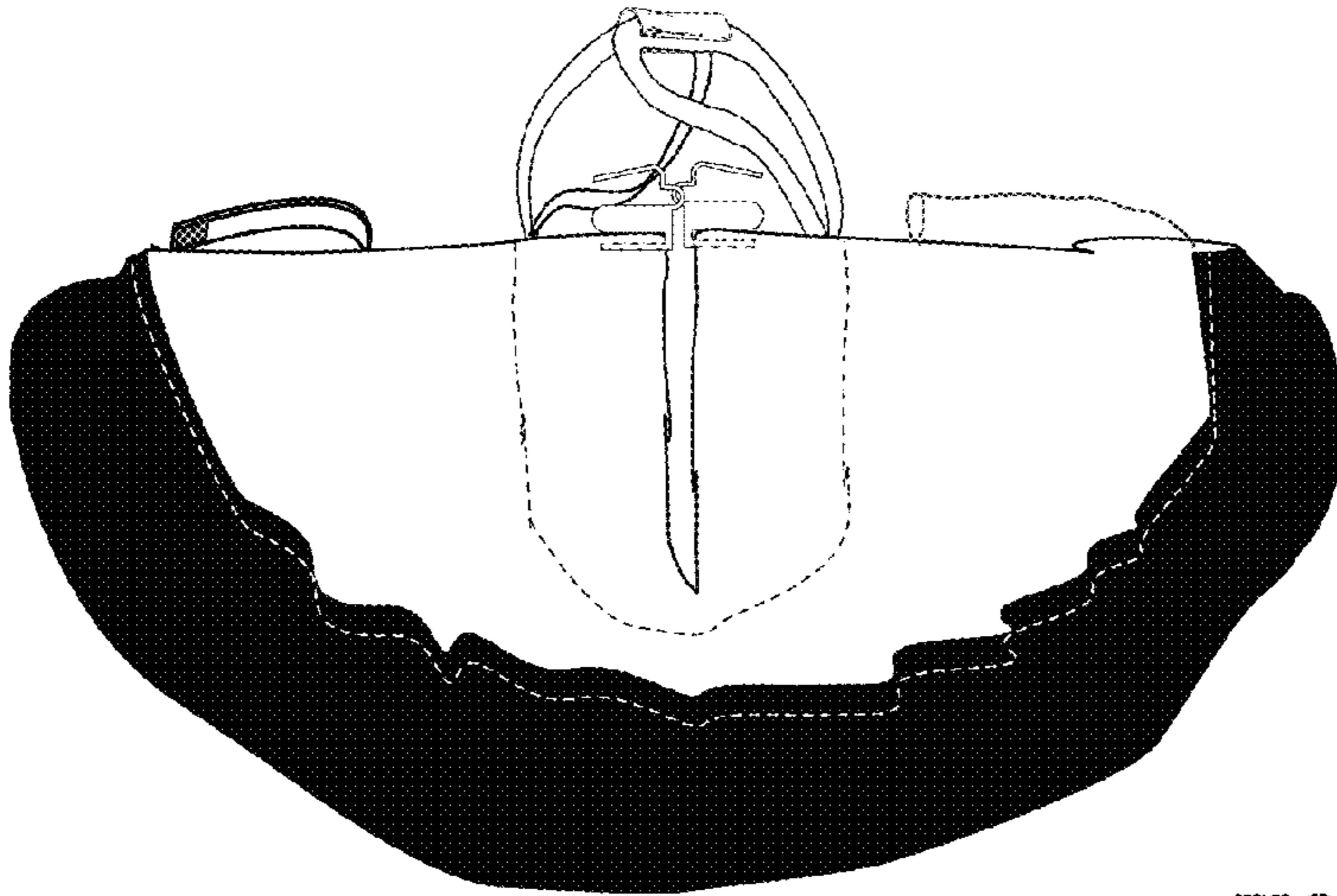


FIG. 7

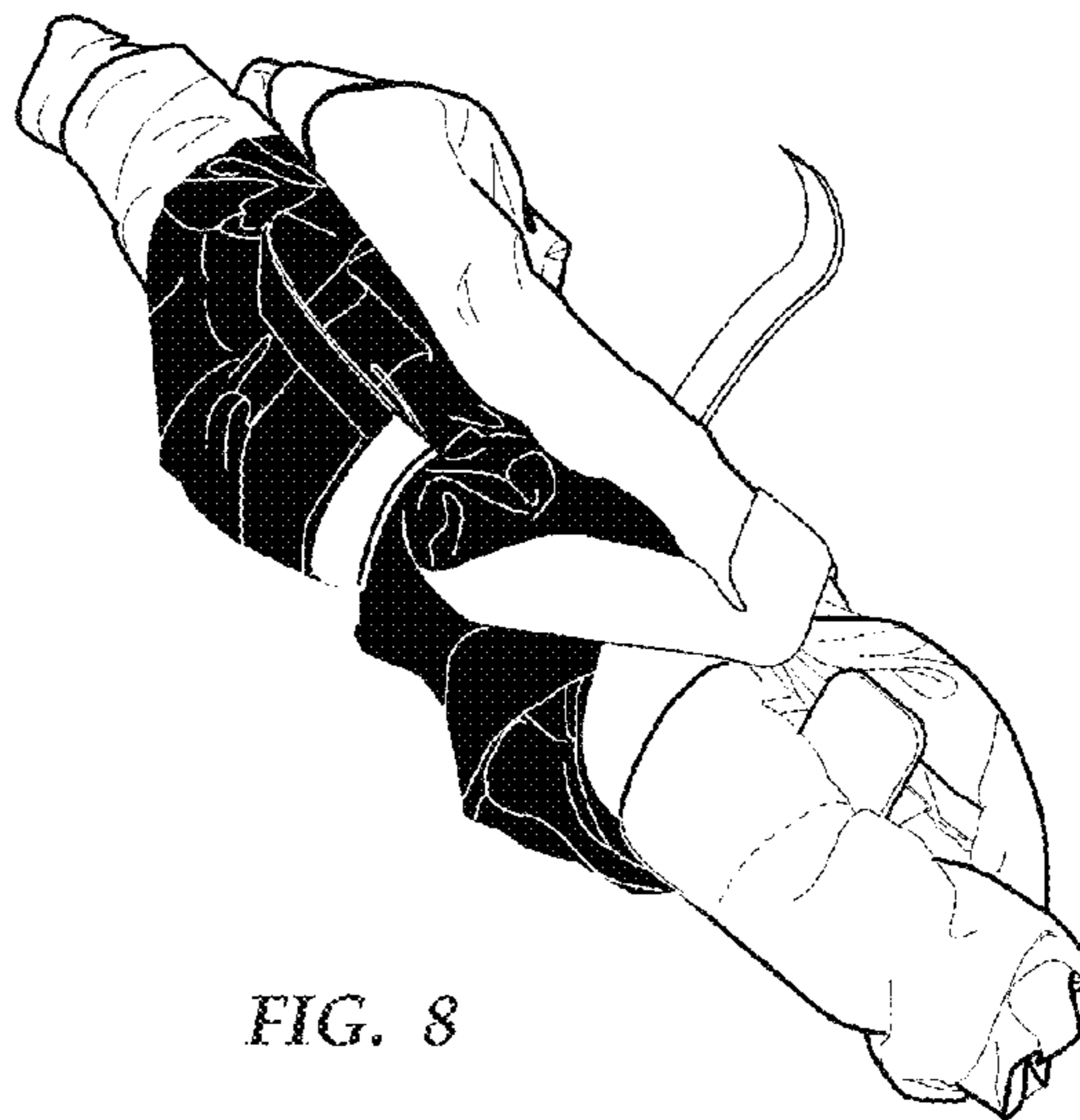


FIG. 8