



US00D765397S

(12) **United States Design Patent**
Reinhart

(10) **Patent No.:** **US D765,397 S**

(45) **Date of Patent:** **** Sep. 6, 2016**

(54) **LITTLE TOTE LID WITH STACKING SUPPORTS**

D682,553 S * 5/2013 Jurich D3/318
D744,239 S 12/2015 Reinhart
D744,240 S 12/2015 Reinhart

(71) Applicant: **Creative Plastic Concepts, LLC**,
Sycamore, OH (US)

* cited by examiner

(72) Inventor: **Nickolas Reinhart**, Findlay, OH (US)

Primary Examiner — Holly Baynham

(73) Assignee: **CREATIVE PLASTIC CONCEPTS, LLC**, Sycamore, OH (US)

(74) *Attorney, Agent, or Firm* — Fraser Clemens Martin & Miller LLC; Jacob M. Ward

(**) Term: **15 Years**

(57) **CLAIM**

The ornamental design for a little tote lid with stacking supports, as shown and described.

(21) Appl. No.: **29/542,963**

DESCRIPTION

(22) Filed: **Oct. 20, 2015**

(51) **LOC (10) Cl.** **03-01**

(52) **U.S. Cl.**
USPC **D3/303**

(58) **Field of Classification Search**
USPC D3/318
CPC B62B 2206/006; B62D 1/22; B62D
2543/00194; B62D 2543/00296
See application file for complete search history.

FIG. 1 is a top perspective view of a little tote lid with stacking supports;
FIG. 2 is a bottom perspective view of the little tote lid with stacking supports of FIG. 1;
FIG. 3 is a top plan view thereof;
FIG. 4 is a bottom plan view thereof;
FIG. 5 is a right side elevational view thereof; and,
FIG. 6 is a front elevational view thereof.

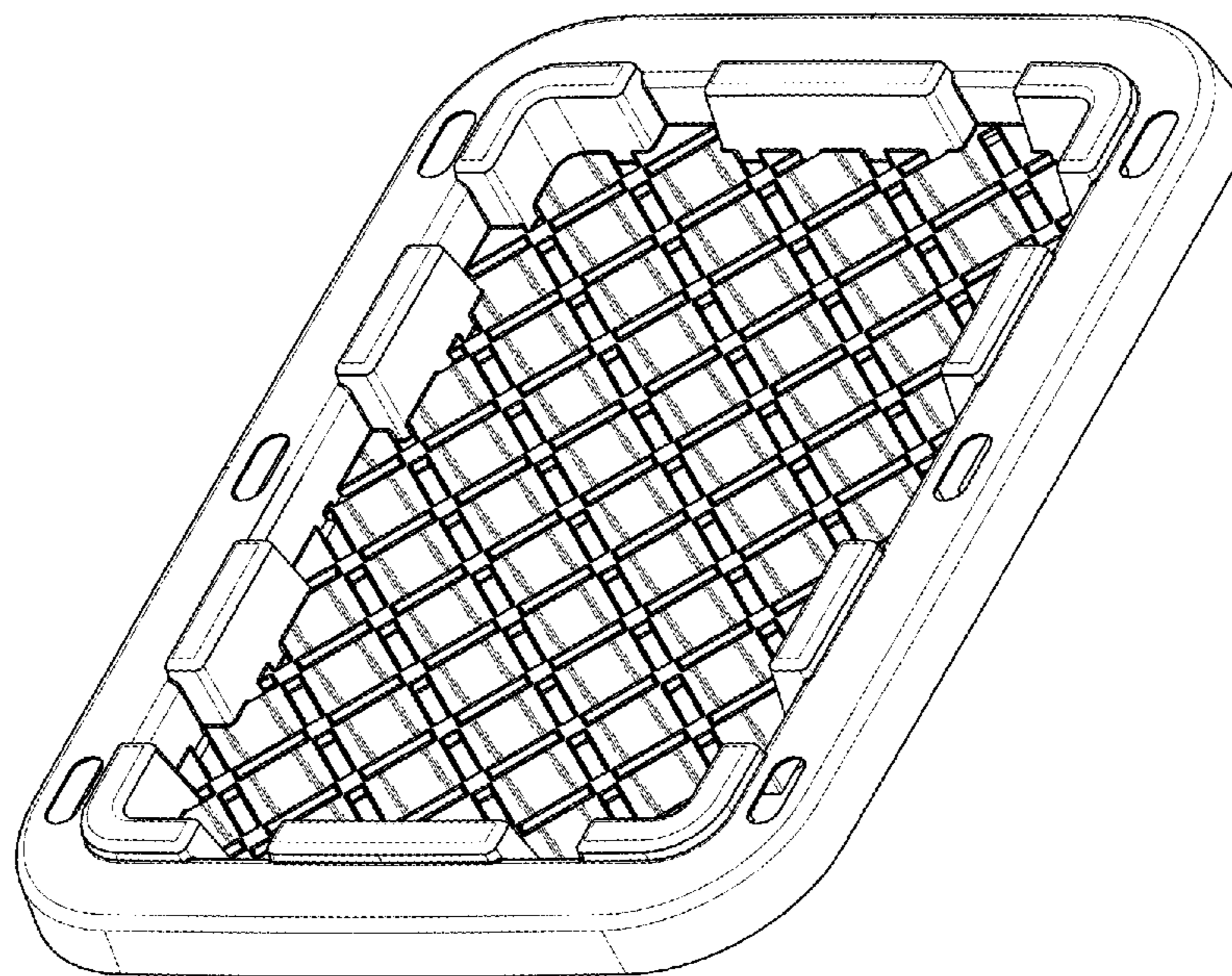
A left side elevational view is not shown because it is a mirror image of the right side elevational view shown in FIG. 5. A rear elevational view is not shown because it is a mirror image of the front elevational view shown in FIG. 6. The ornamental design which is claimed is shown in solid lines in the drawings.

(56) **References Cited**

U.S. PATENT DOCUMENTS

D596,849 S * 7/2009 Billauer D3/232
D597,303 S * 8/2009 Billauer D3/232
D648,538 S * 11/2011 Reinhart D3/318

1 Claim, 3 Drawing Sheets



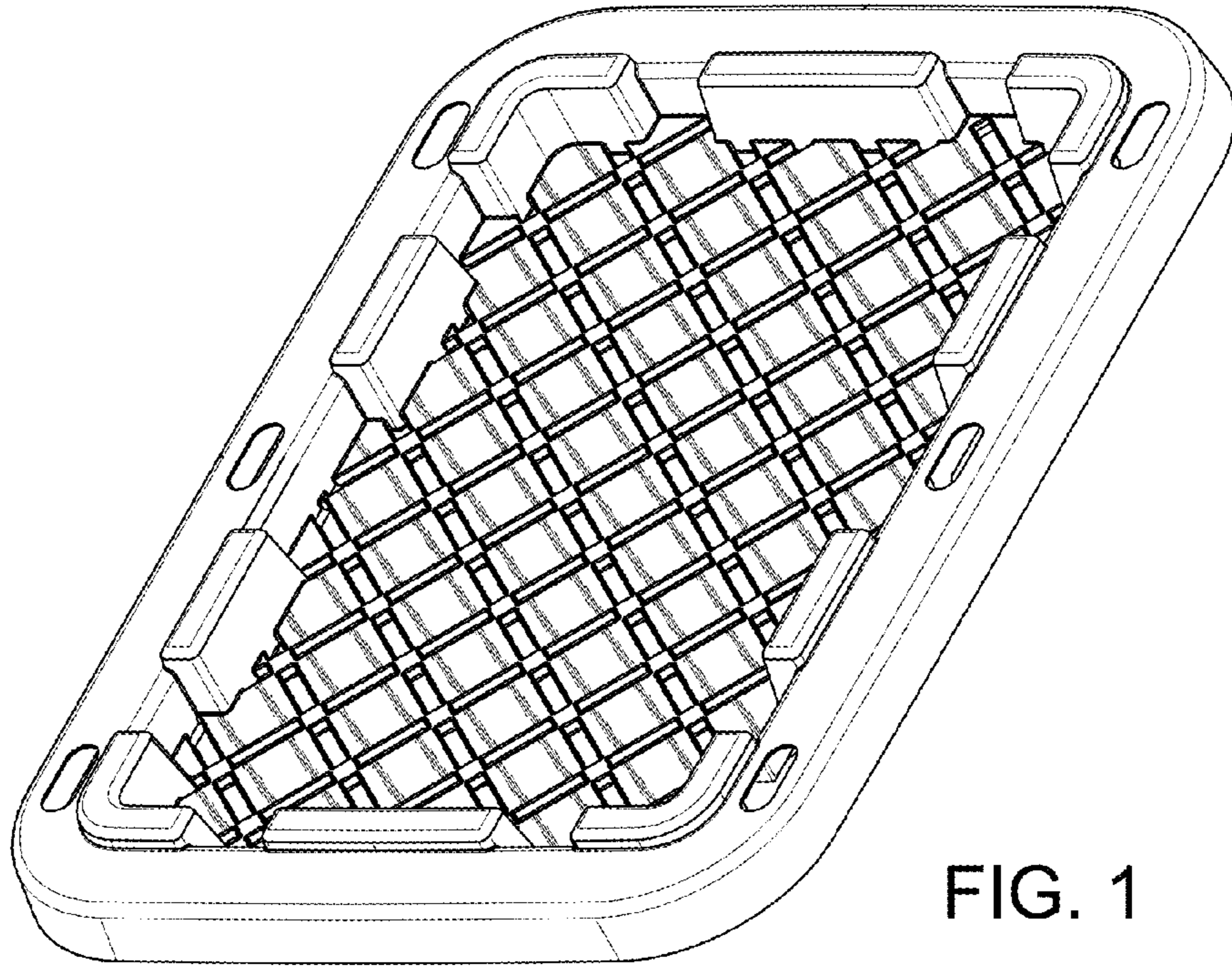


FIG. 1

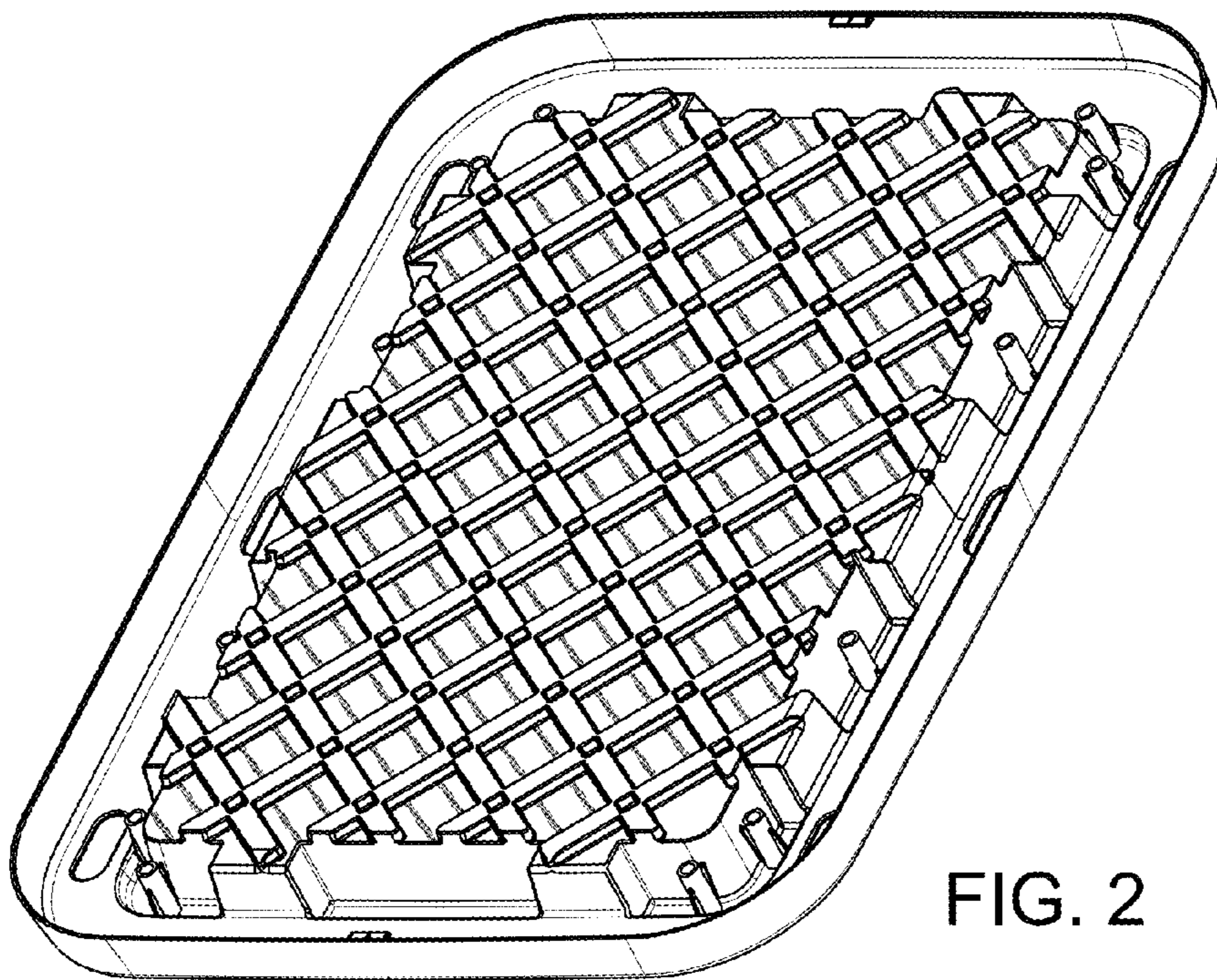


FIG. 2

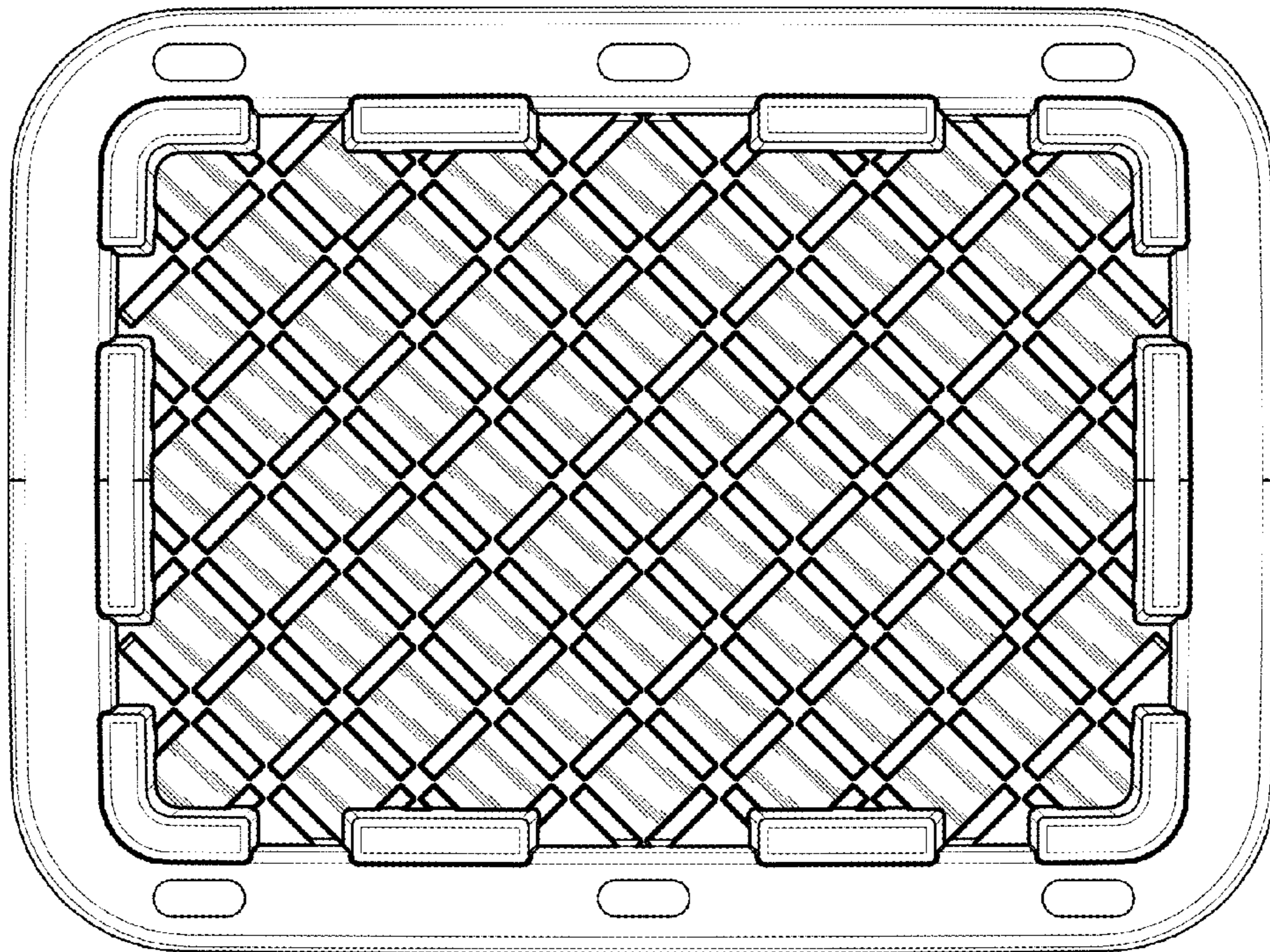


FIG. 3

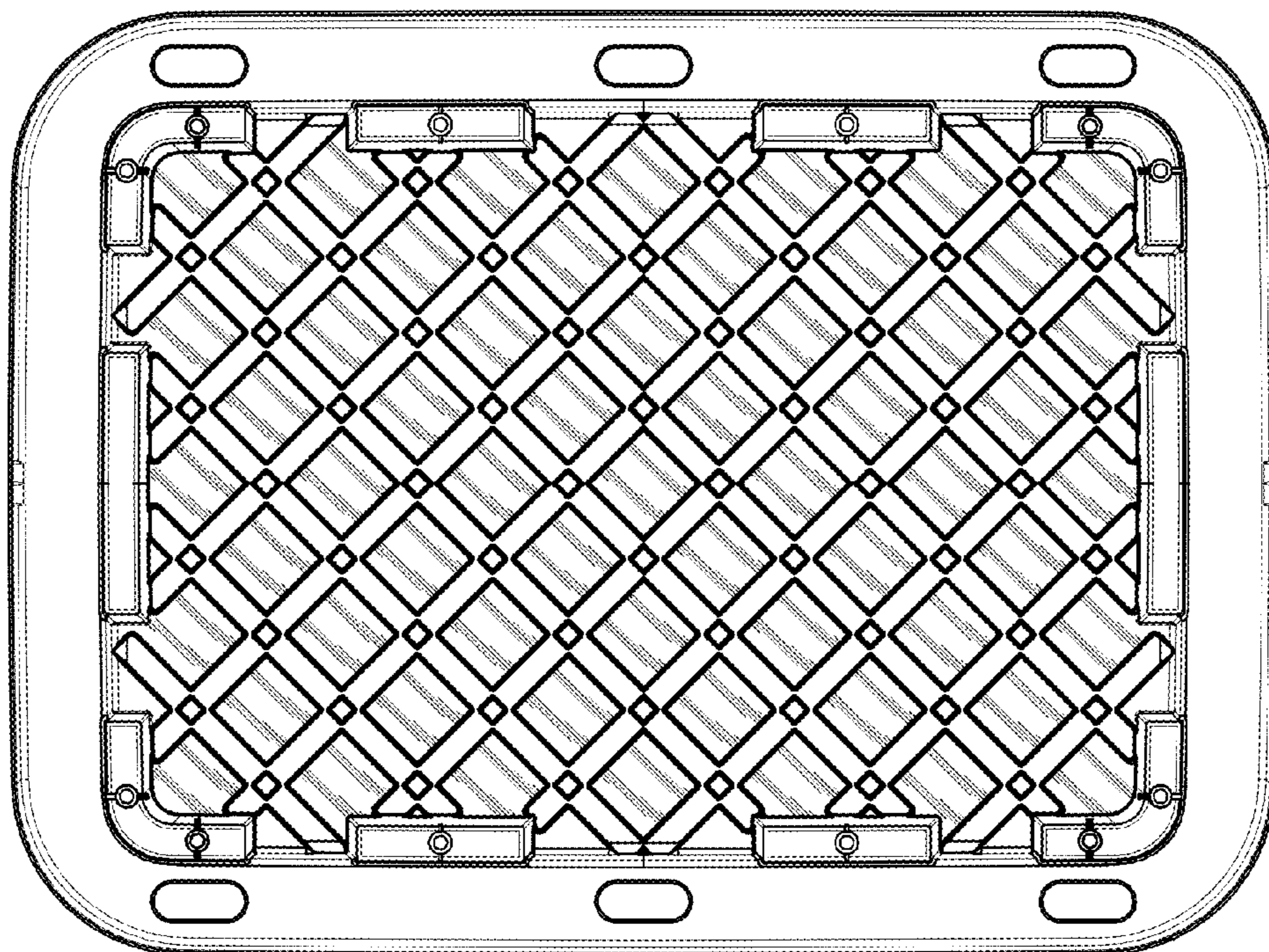


FIG. 4

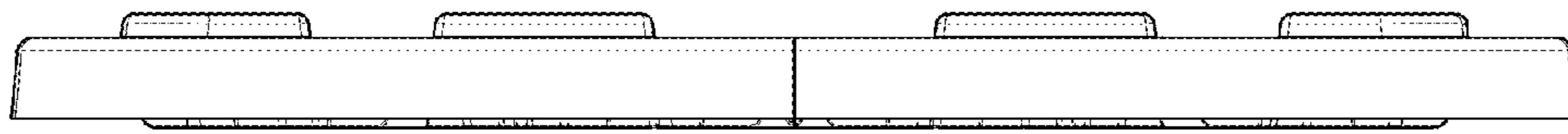


FIG. 5

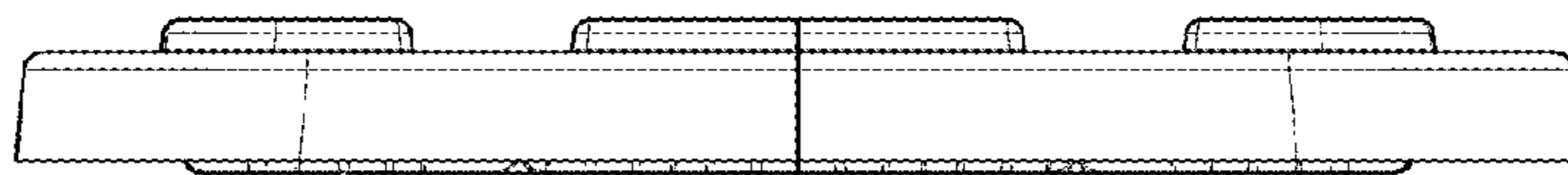


FIG. 6