



US00D765396S

(12) **United States Design Patent** (10) **Patent No.:** **US D765,396 S**
Su (45) **Date of Patent:** **** Sep. 6, 2016**

(54) **TOY GOLF CLUB CADDY**
(71) Applicant: **TAIWAN JOCA CORP.**, Taipei (TW)
(72) Inventor: **Tsang-Sheng Su**, Taipei (TW)
(73) Assignee: **TAIWAN JOCA CORP.**, Taipei (TW)
(**) Term: **15 Years**

Primary Examiner — Holly Baynham
(74) *Attorney, Agent, or Firm* — Kirton McConkie; Evan R. Witt

(21) Appl. No.: **29/560,667**
(22) Filed: **Apr. 8, 2016**
(51) **LOC (10) Cl.** **03-01**
(52) **U.S. Cl.**
USPC **D3/255**
(58) **Field of Classification Search**
USPC D3/255
CPC .. A63B 55/00; A63B 55/008; A63B 55/004;
A63B 55/005; A63B 57/00
See application file for complete search history.

(57) **CLAIM**
The ornamental design for a toy golf club caddy, as shown and described.

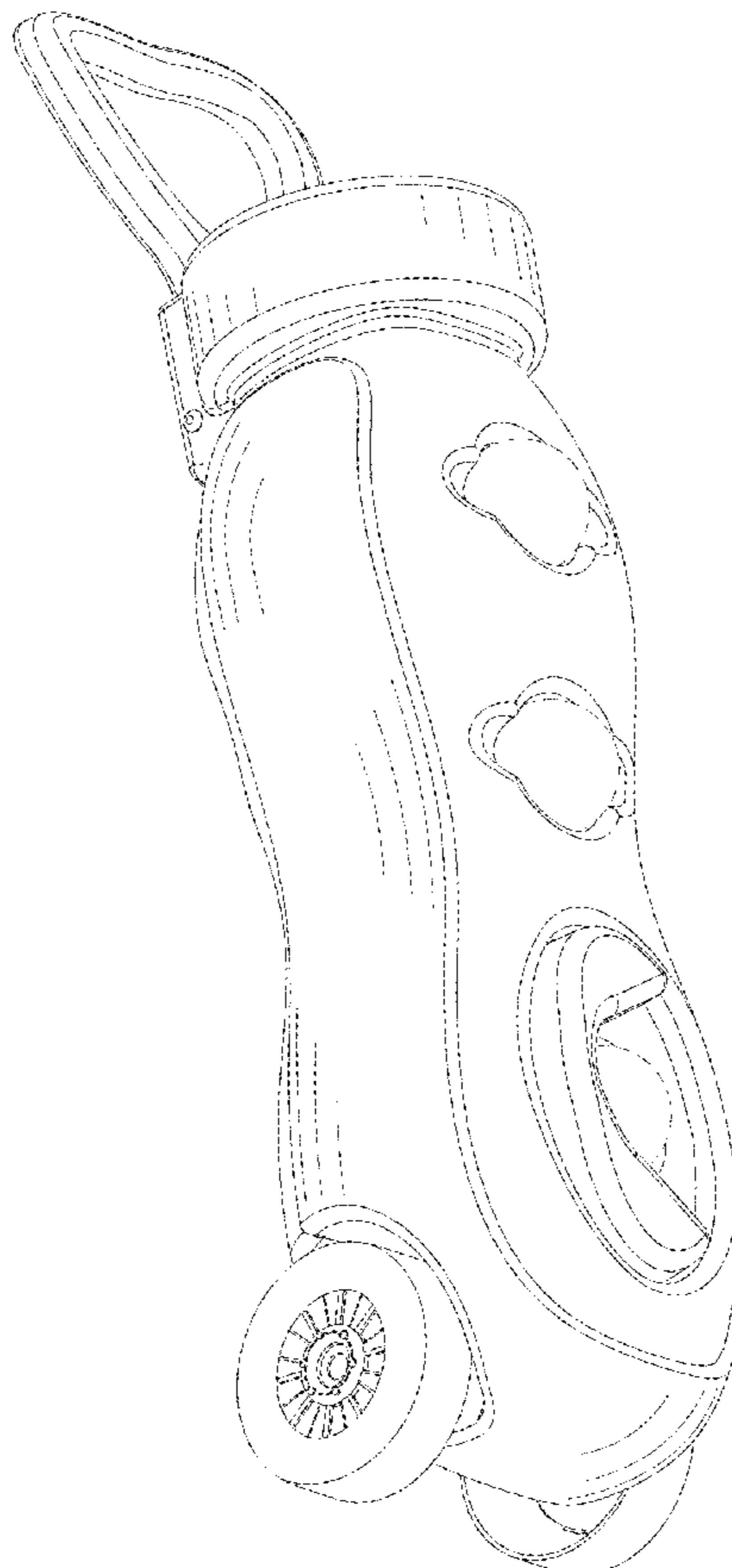
(56) **References Cited**
U.S. PATENT DOCUMENTS
D316,779 S * 5/1991 Henrickson D3/255
D394,950 S * 6/1998 Kite D3/255
D653,032 S * 1/2012 Myers D3/255

DESCRIPTION

FIG. 1 is a front perspective view of a toy golf club caddy showing my new design;
FIG. 2 is another perspective view thereof;
FIG. 3 is a front elevational view thereof;
FIG. 4 is a rear elevational view thereof;
FIG. 5 is a left side elevational view thereof;
FIG. 6 is a right side elevational view thereof;
FIG. 7 is a top plan view thereof; and,
FIG. 8 is a bottom plan view thereof.
The broken lines are for the purpose of illustrating portions of the toy golf club caddy and form no part of the claimed design.

* cited by examiner

1 Claim, 7 Drawing Sheets



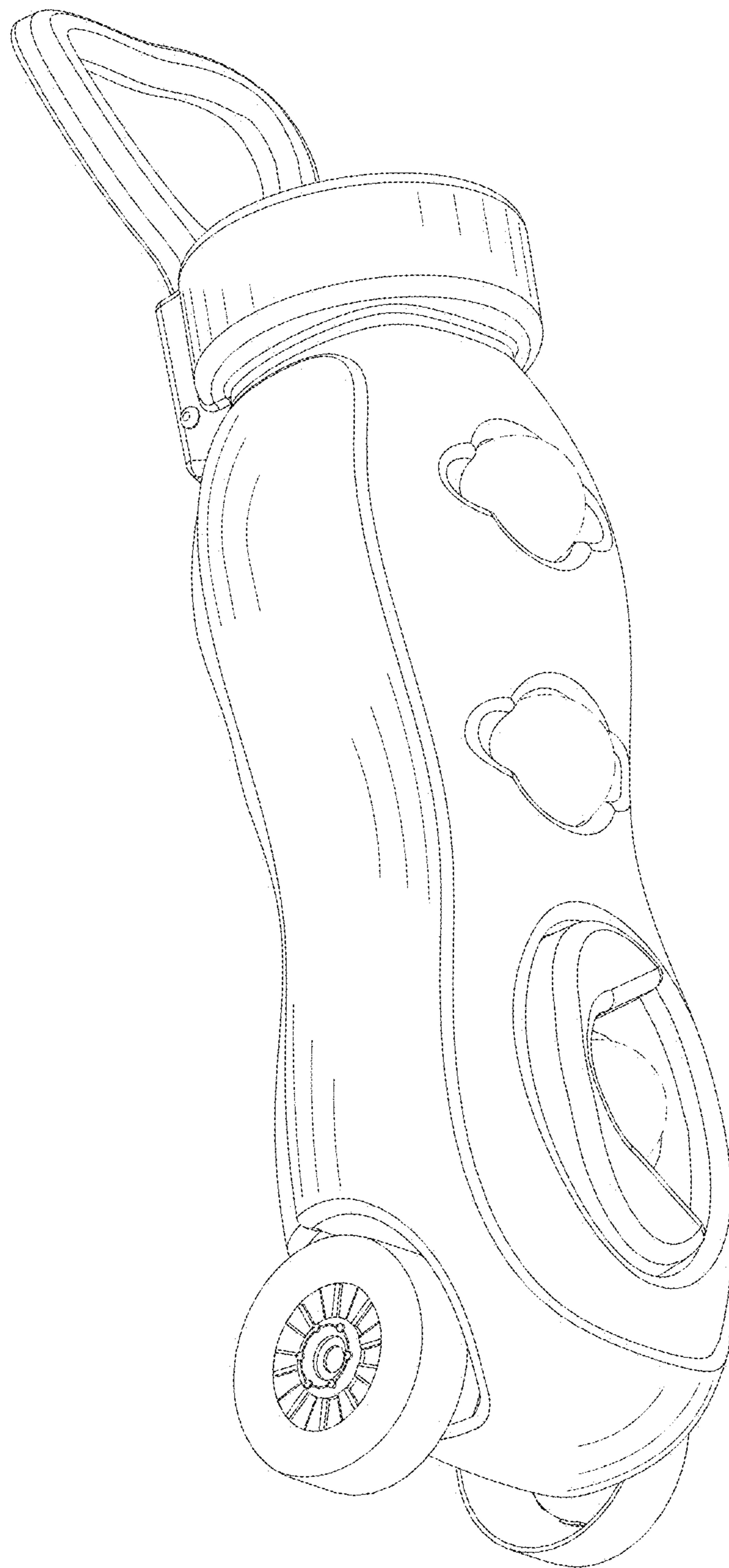


FIG. 1

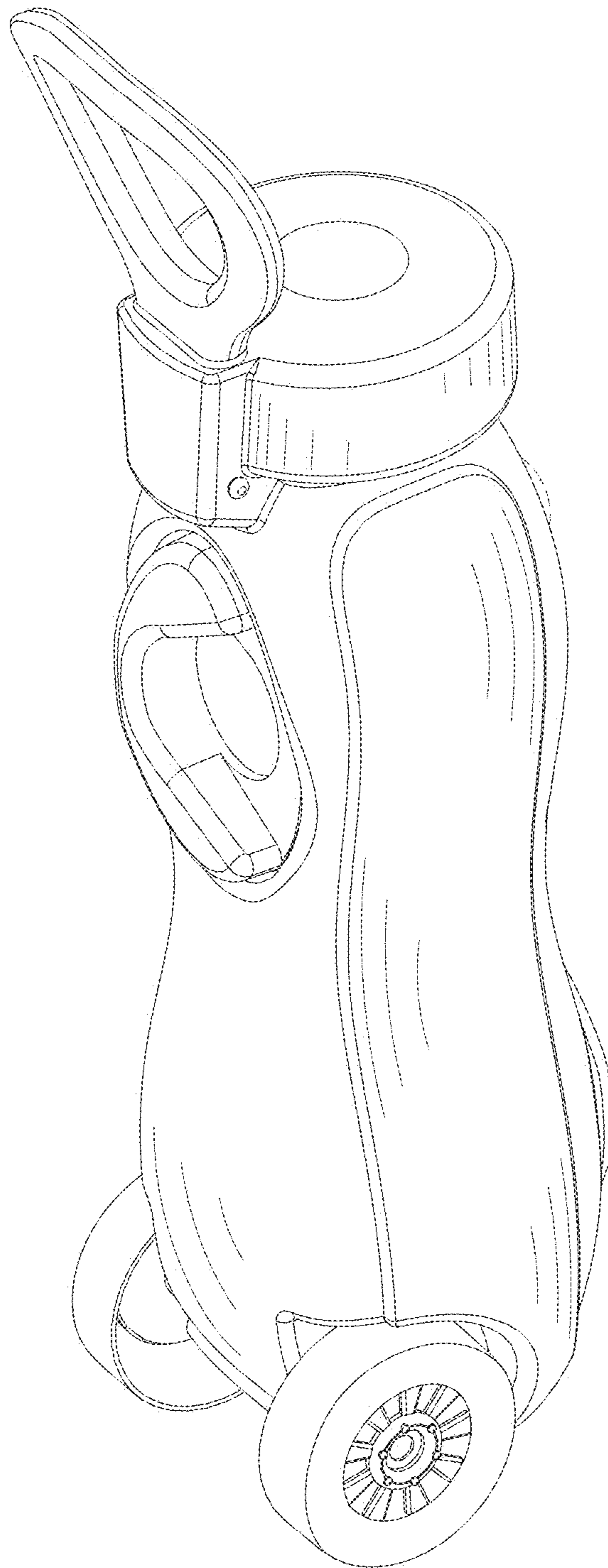


FIG. 2

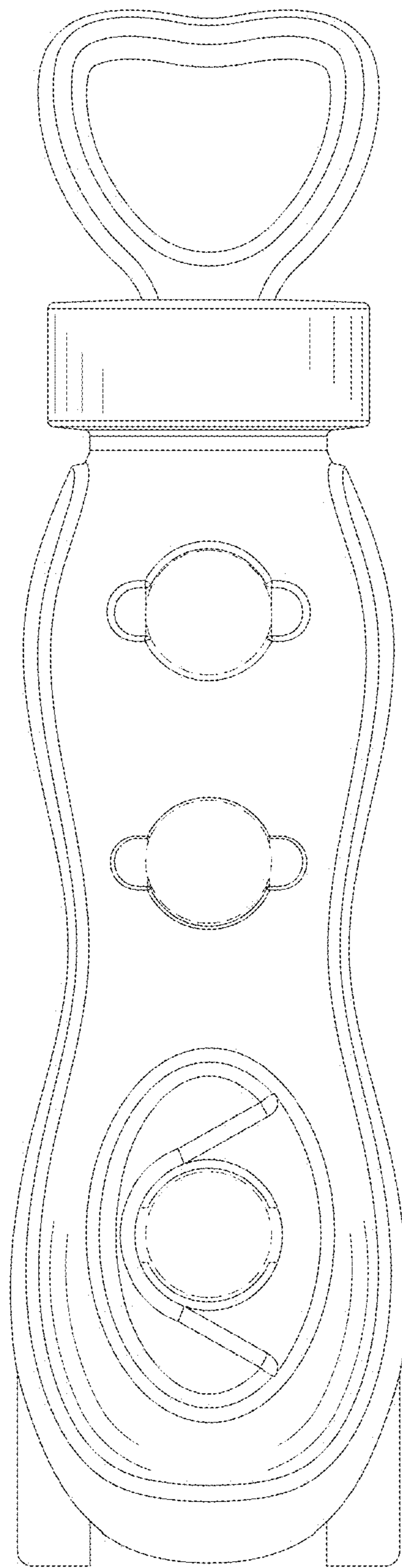


FIG. 3

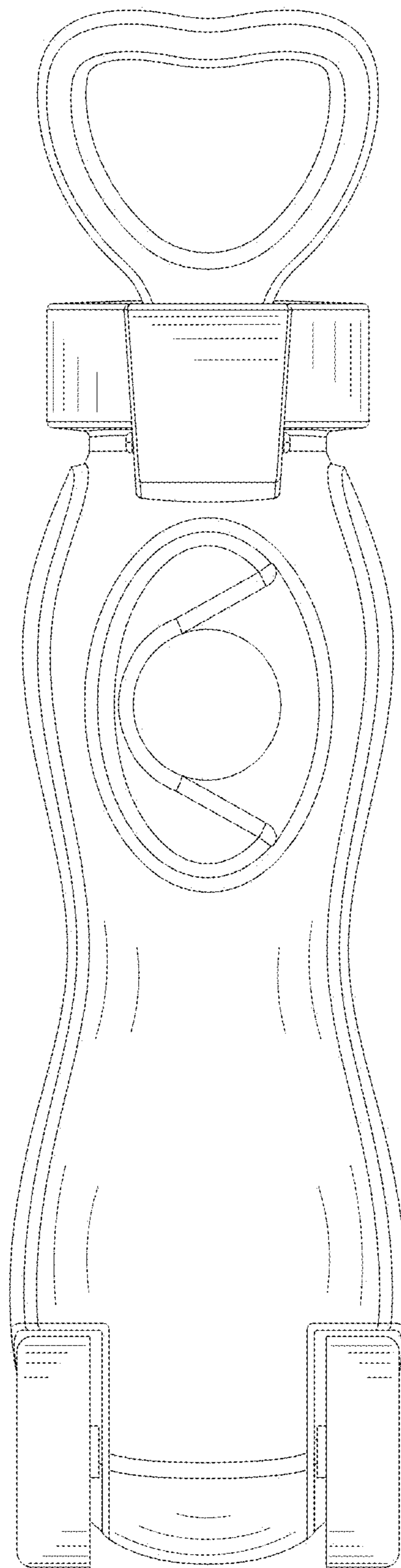


FIG. 4

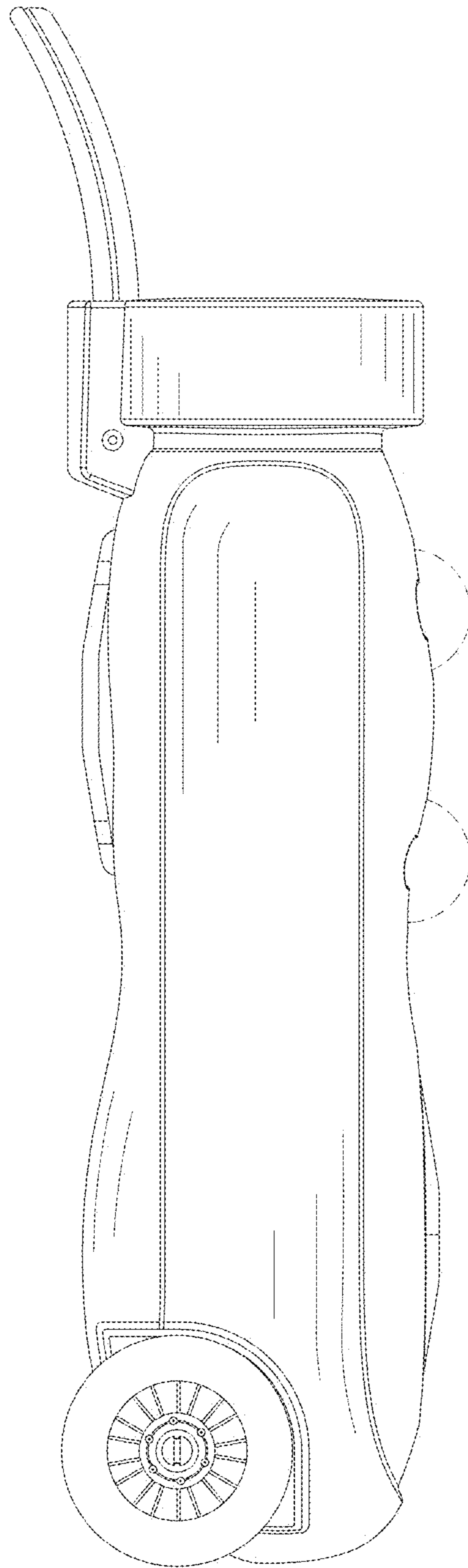


FIG. 5

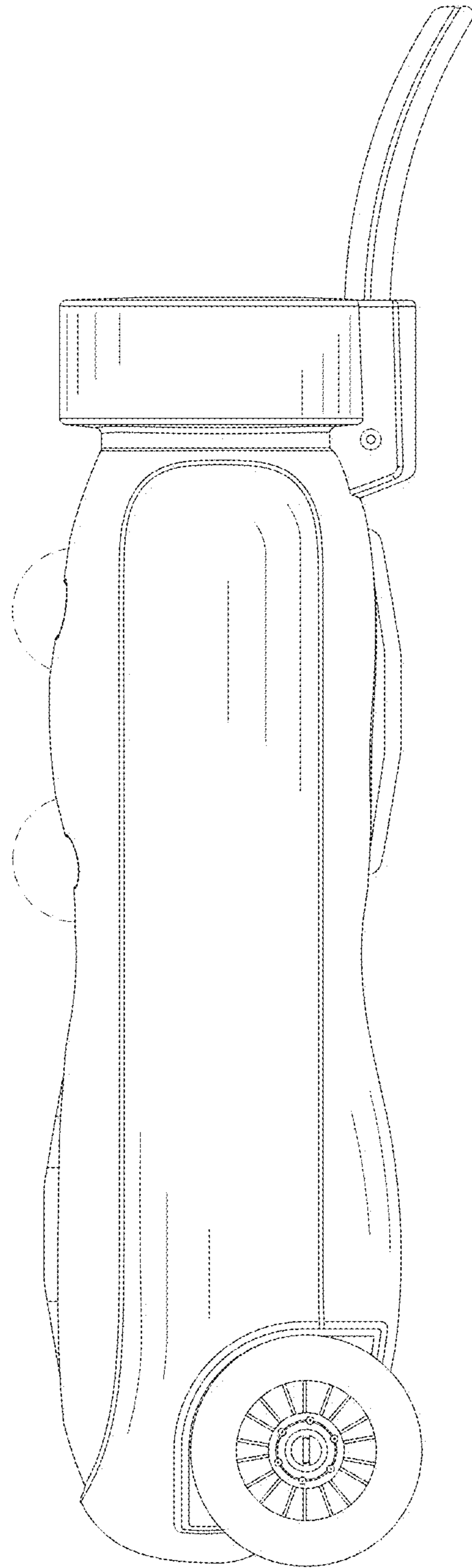


FIG. 6

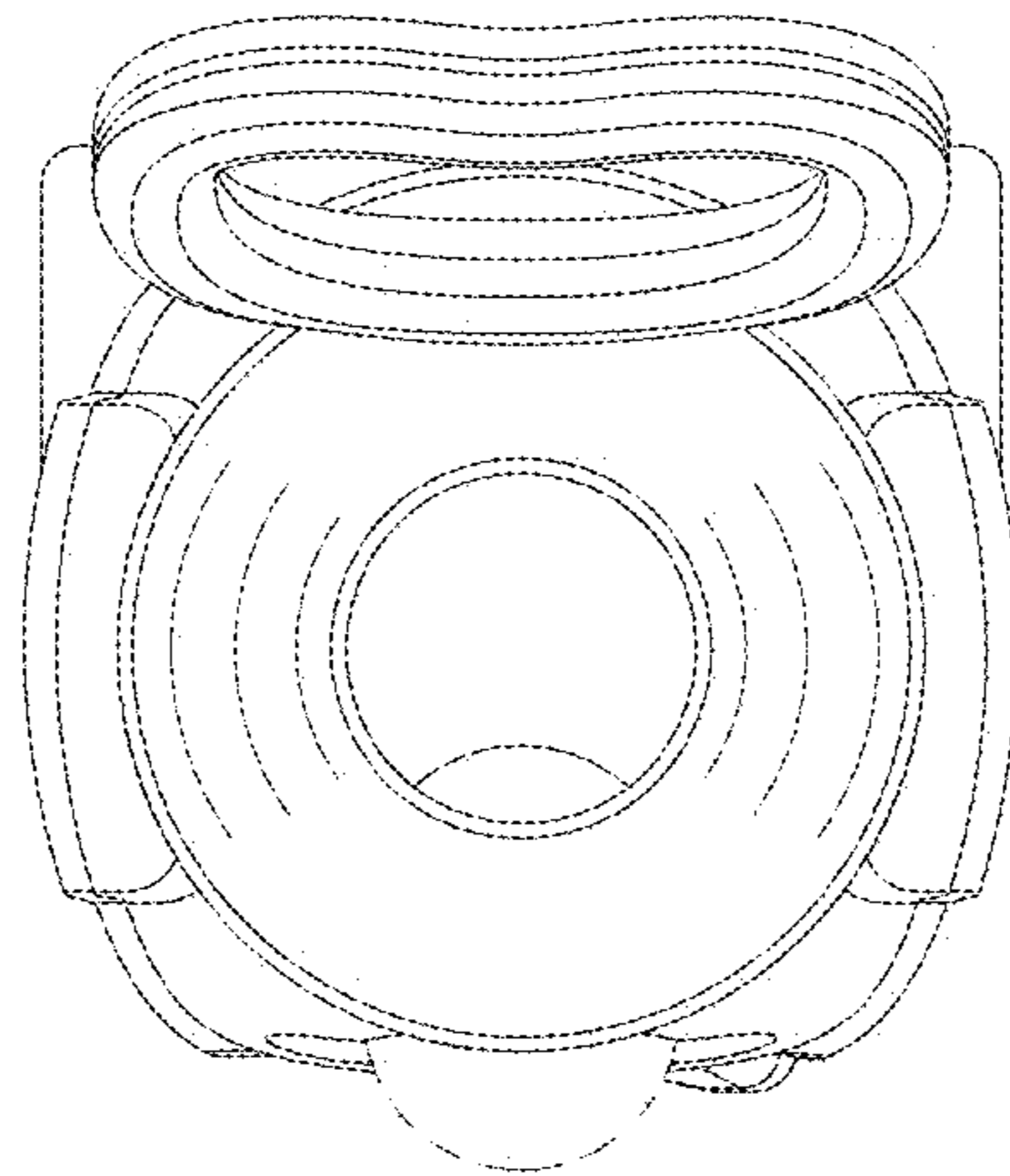


FIG. 7

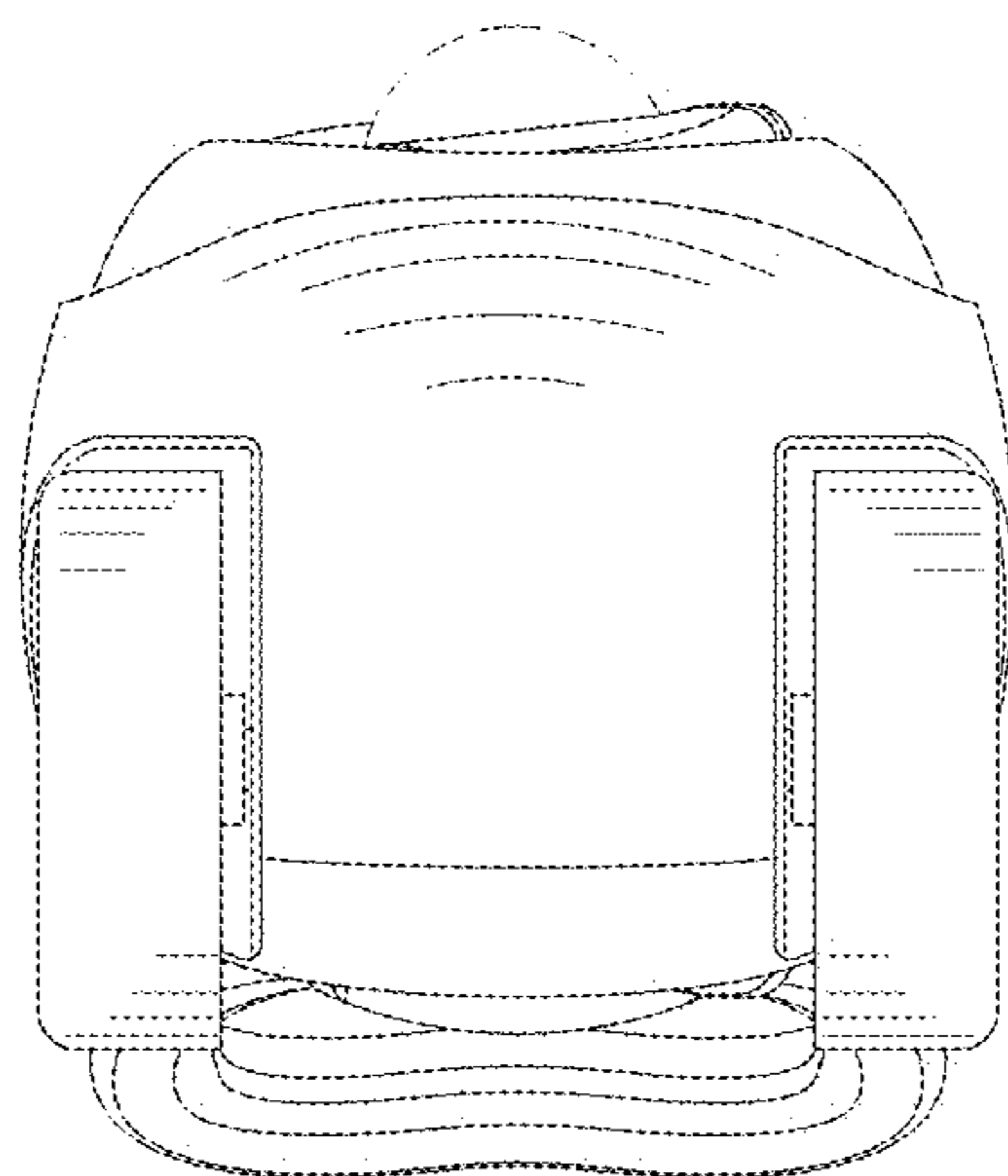


FIG. 8