

US00D765393S

(12) **United States Design Patent** (10) **Patent No.:** **US D765,393 S**
Kim (45) **Date of Patent:** **** Sep. 6, 2016**

(54) **HOLSTER FOR A CASE FOR AN ELECTRONIC DEVICE**
(71) Applicant: **OTTER PRODUCTS, LLC**, Fort Collins, CO (US)
(72) Inventor: **Michael H. Kim**, Valencia, CA (US)
(73) Assignee: **OTTER PRODUCTS, LLC**, Fort Collins, CO (US)
(**) Term: **14 Years**
(21) Appl. No.: **29/515,811**
(22) Filed: **Jan. 27, 2015**
(51) **LOC (10) Cl.** **03-01**
(52) **U.S. Cl.**
USPC **D3/218; D14/253**
(58) **Field of Classification Search**
USPC D3/215, 218, 219, 328; D14/251–253, D14/432, 434, 447, 451, 452, 140, 142, 149, D14/217, 240, 299, 496; D13/107, 108; D10/23; D8/71, 72, 74, 349, 373; D6/302, 303, 306, 310, 312; 455/575.1; D19/88; D16/242, 245; D21/313; D12/400, 415–418, D12/420–422, 426, 223; 379/454
CPC H04M 1/00; H04M 1/04; H04M 1/06; H04M 1/11; H04B 1/3877; H04B 1/3888; F16M 11/04; F16M 11/041; B60R 11/02; B60R 11/0241; B60R 11/0258; B60R 11/0252; A45F 5/021; A45F 2005/025
See application file for complete search history.

(56) **References Cited**

U.S. PATENT DOCUMENTS

D348,981 S * 7/1994 Dill D3/218
D368,582 S * 4/1996 King D3/218
D425,905 S * 5/2000 Finkbeiner D14/248
D425,907 S * 5/2000 Frye D14/248
D451,915 S * 12/2001 Dalmau D14/253
D495,871 S * 9/2004 Moffitt D3/215
D501,307 S * 2/2005 Sterns D3/203.2

D521,232 S * 5/2006 Andre D3/218
D560,068 S * 1/2008 Dixon D3/218
7,594,631 B1 * 9/2009 Carnevali B60R 11/0241
248/219.4
D641,974 S * 7/2011 Stampfli D3/218
D649,347 S * 11/2011 Smith D3/218
D656,931 S * 4/2012 Wikel D14/253
D656,932 S * 4/2012 Wikel D12/415
D657,355 S * 4/2012 Wikel D14/253
D661,482 S * 6/2012 Chang D3/218
D661,483 S * 6/2012 Weller D3/218
D676,371 S * 2/2013 Son D12/415
D683,955 S * 6/2013 Melanson D3/218
D690,689 S * 10/2013 Wikel D14/253
D690,690 S * 10/2013 Wikel D14/253
D693,802 S * 11/2013 Wikel D14/253
D696,241 S * 12/2013 Paugh D14/253
D718,296 S * 11/2014 Namminga D14/253
2011/0019992 A1 * 1/2011 Orf F16M 11/04
396/419
2012/0170212 A1 * 7/2012 Gallouzi F16M 11/041
361/679.56
2013/0299533 A1 * 11/2013 Gronewoller A45F 5/021
224/191
2016/0065702 A1 * 3/2016 Carnevali G06F 1/1628
455/575.8

* cited by examiner

Primary Examiner — Susan Bennett Hattan
Assistant Examiner — Marie Fast Horse

(57) **CLAIM**

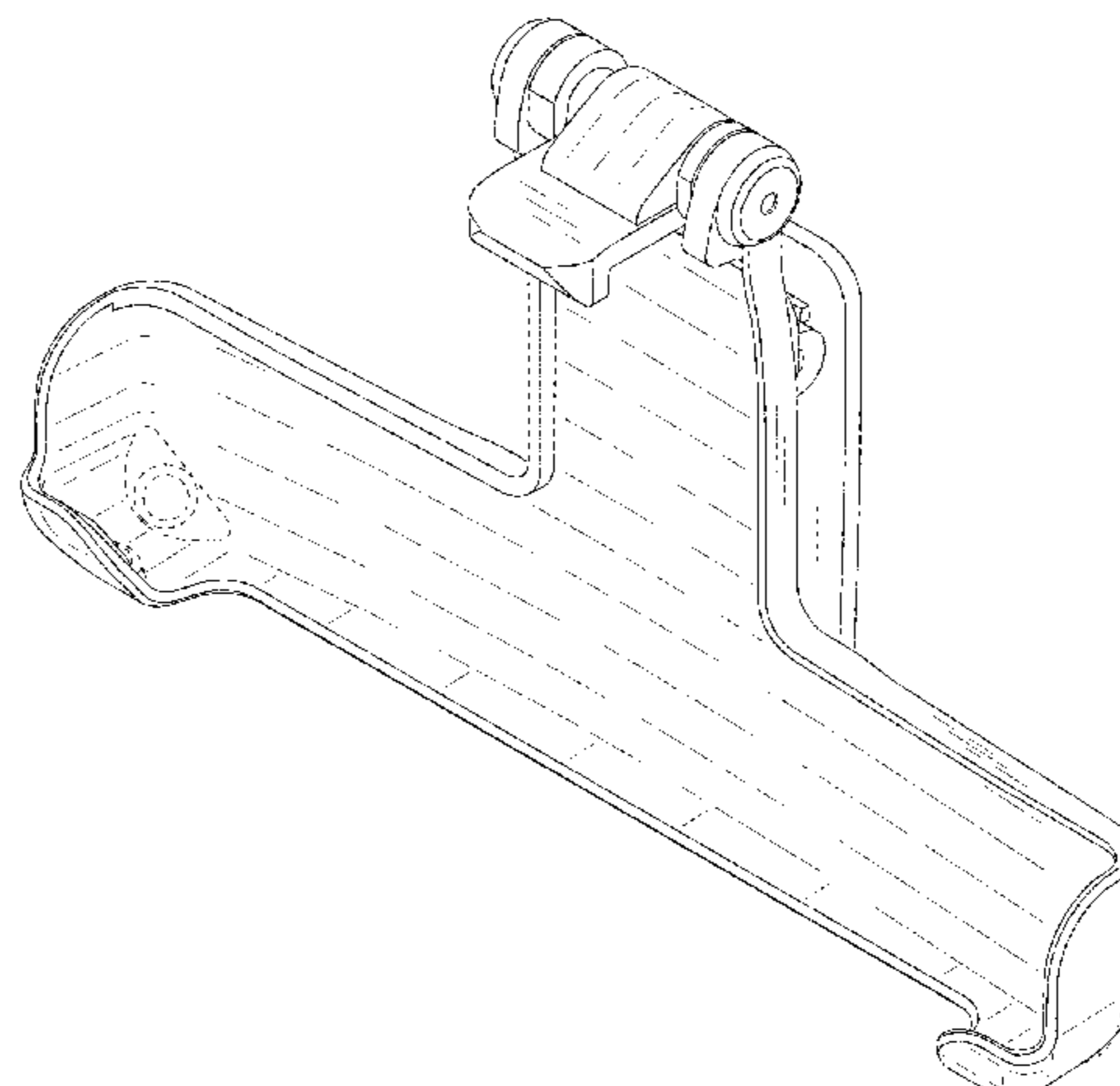
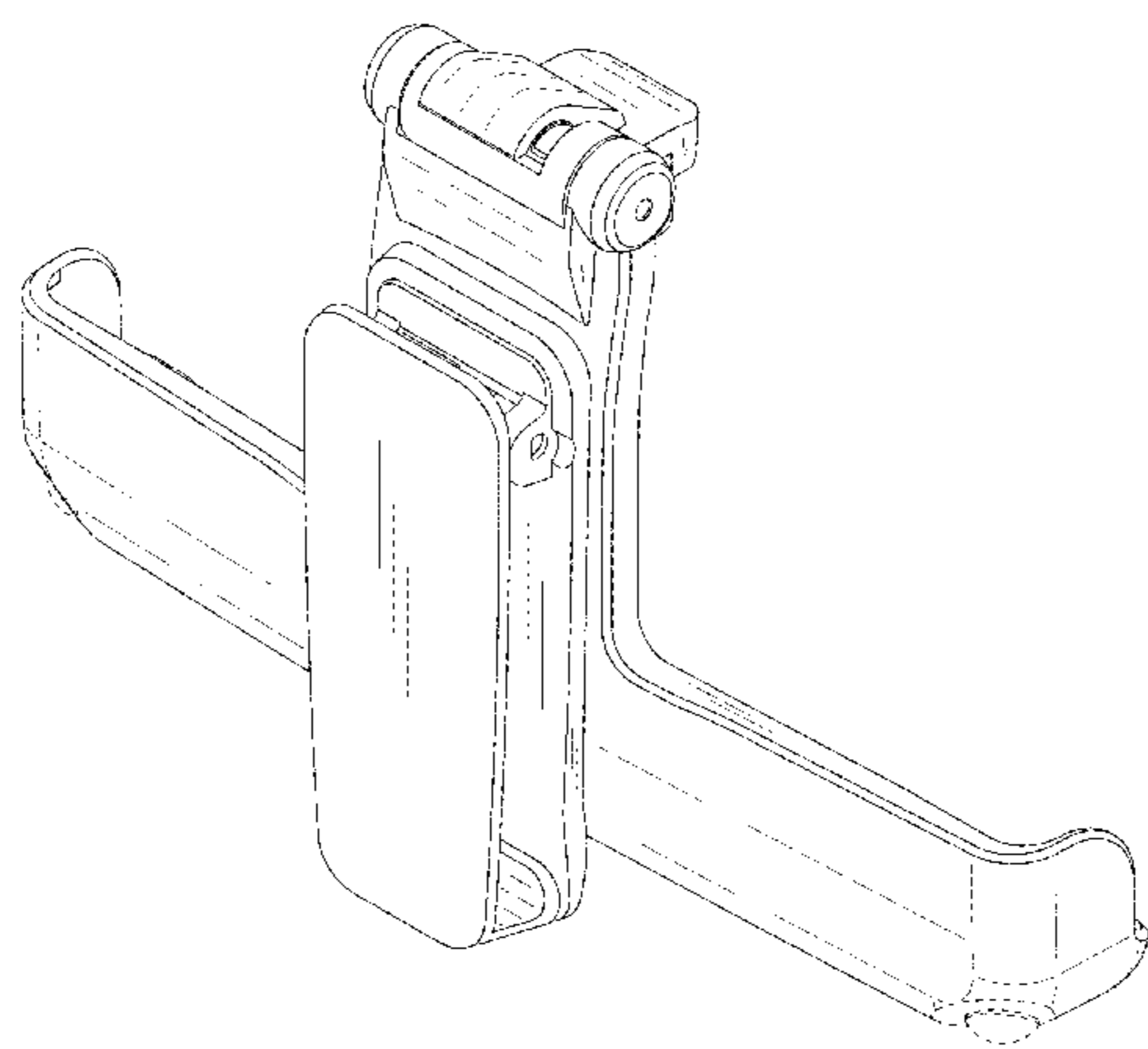
The ornamental design for a holster for a case for an electronic device, as shown and described.

DESCRIPTION

FIG. 1 is a front isometric view of a holster for a case for an electronic device showing my new design;
FIG. 2 is a rear isometric view thereof;
FIG. 3 is a front view thereof;
FIG. 4 is a rear view thereof;
FIG. 5 is a right view thereof;
FIG. 6 is a top view thereof; and,
FIG. 7 is a bottom view thereof.

The broken lines in the drawings depict portions of the holster for a case for an electronic device form no part of the claimed design.

1 Claim, 6 Drawing Sheets



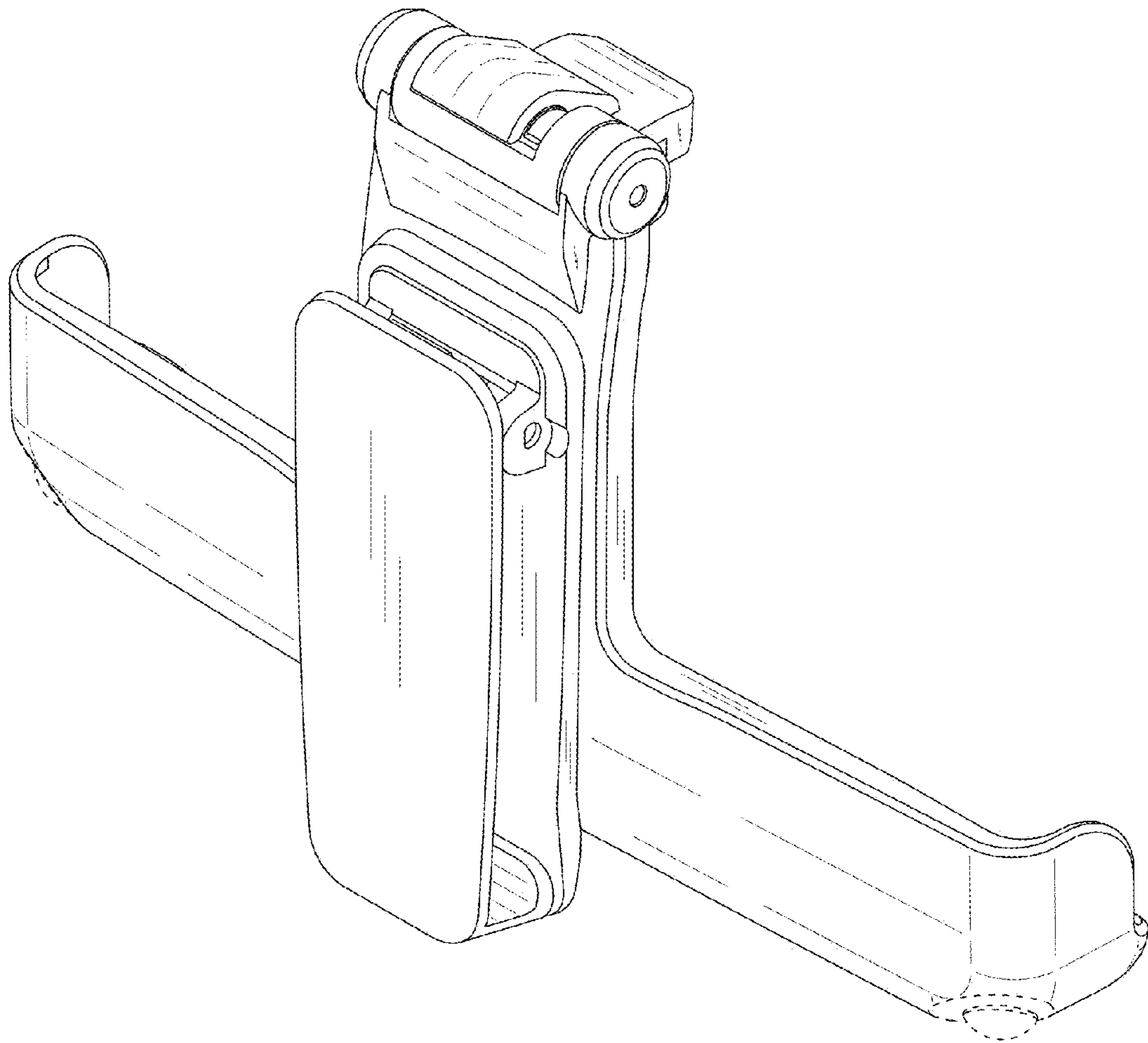


FIG. 1

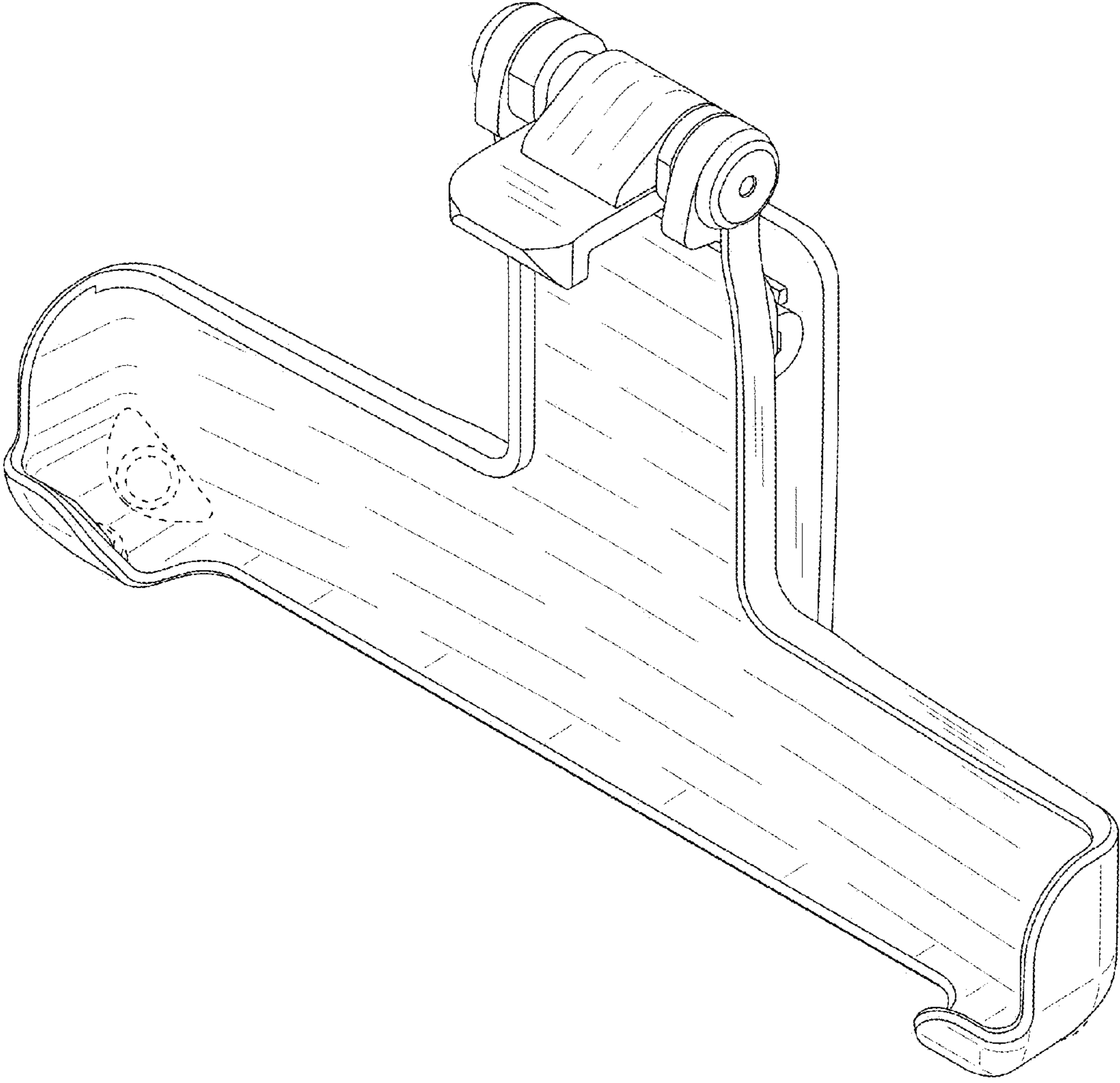


FIG. 2

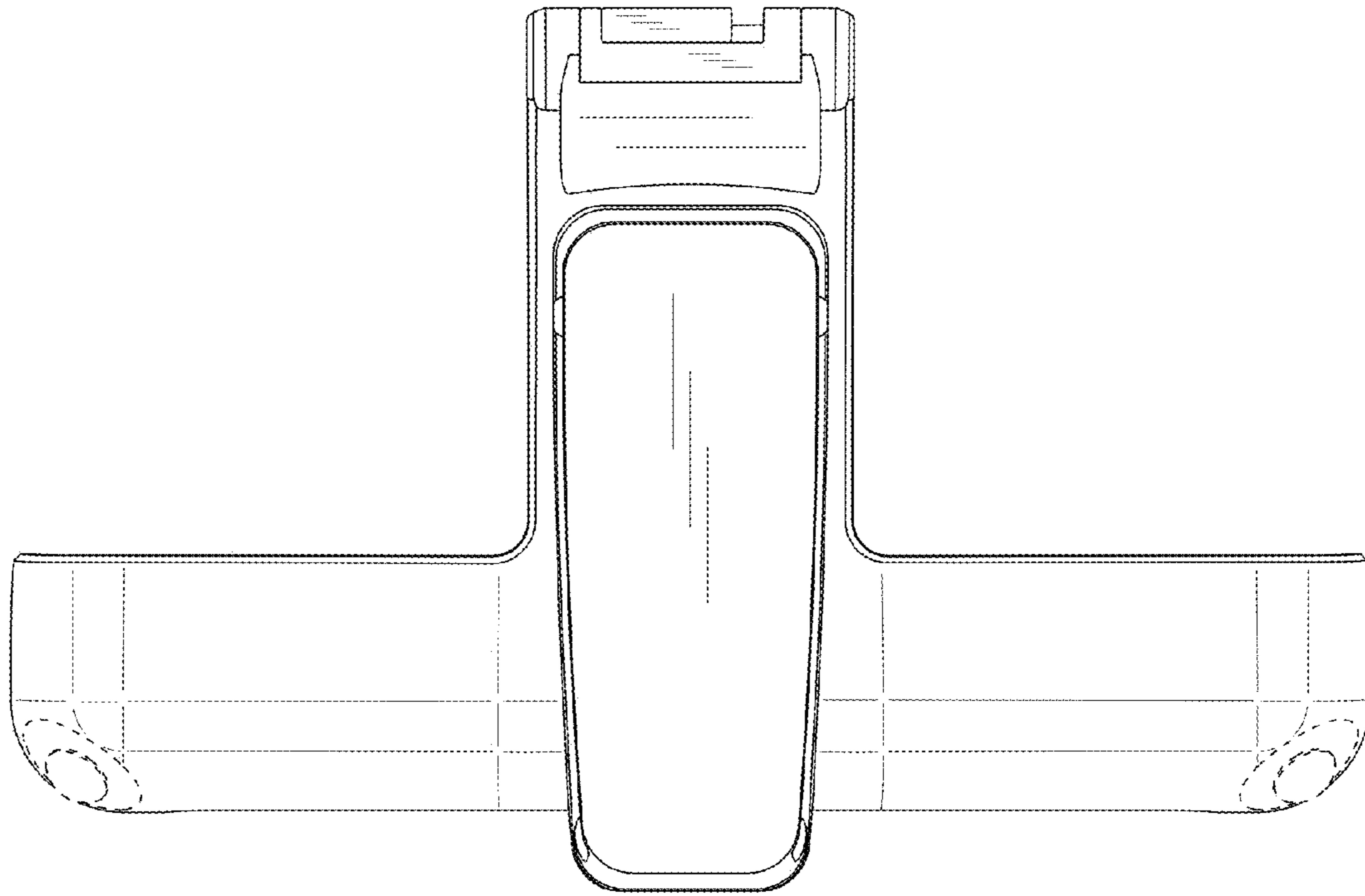


FIG. 3

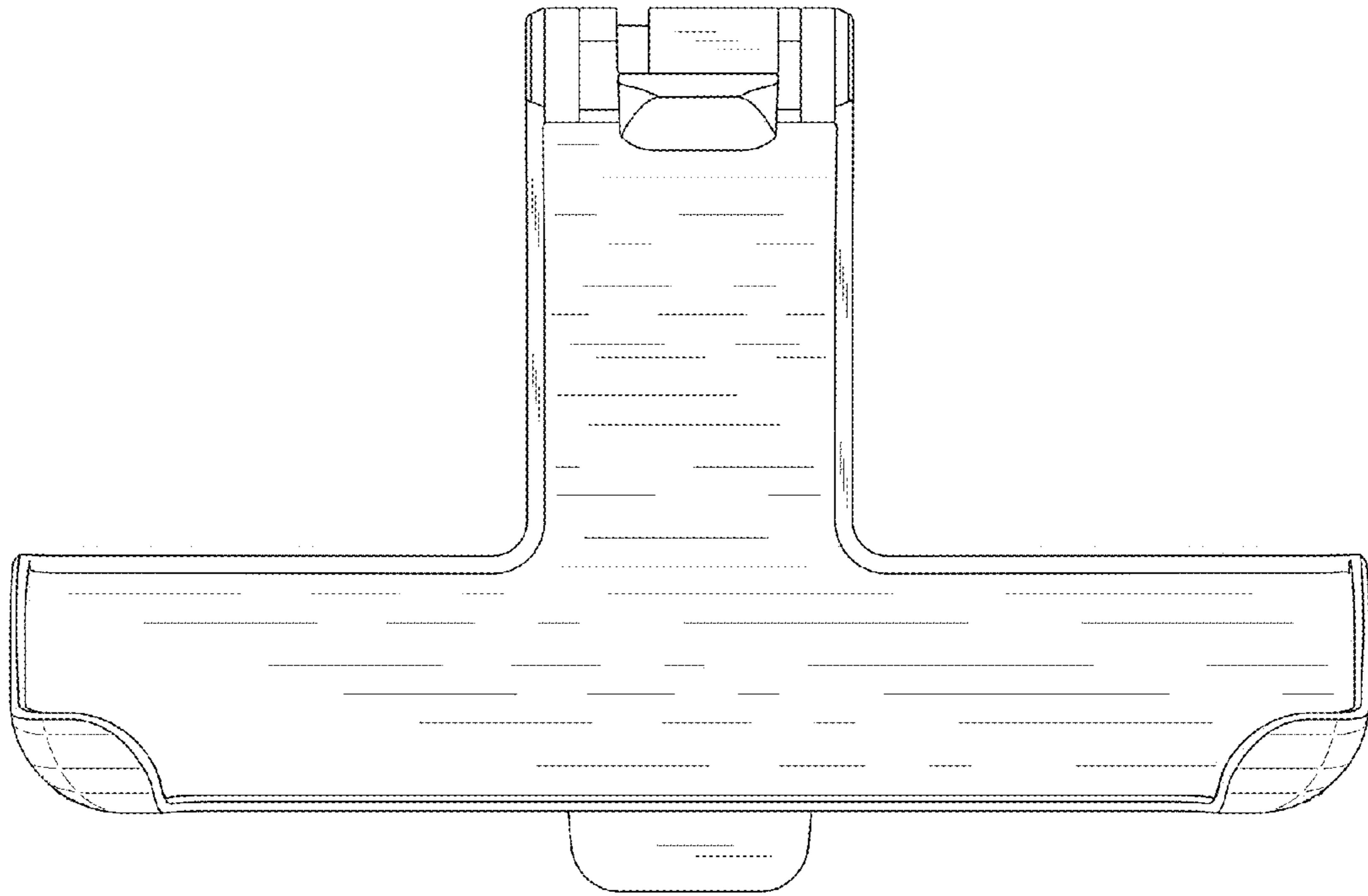


FIG. 4

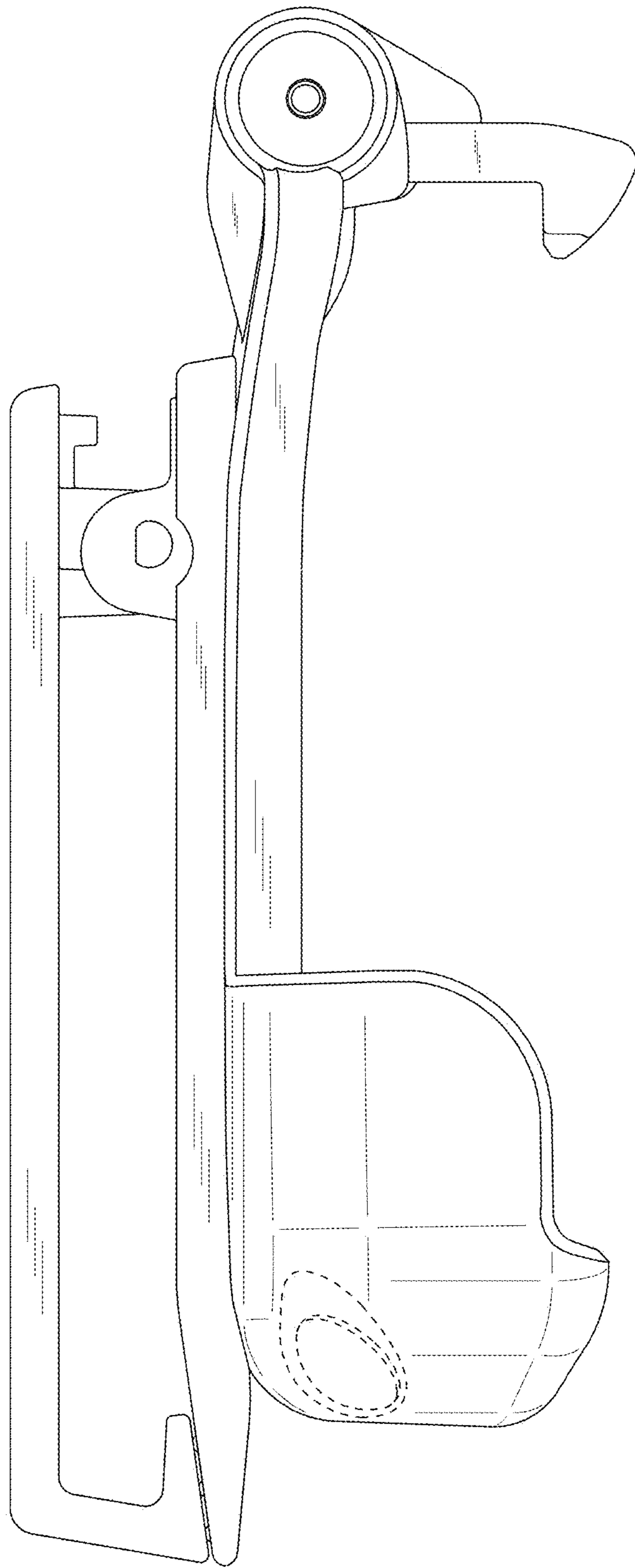


FIG. 5

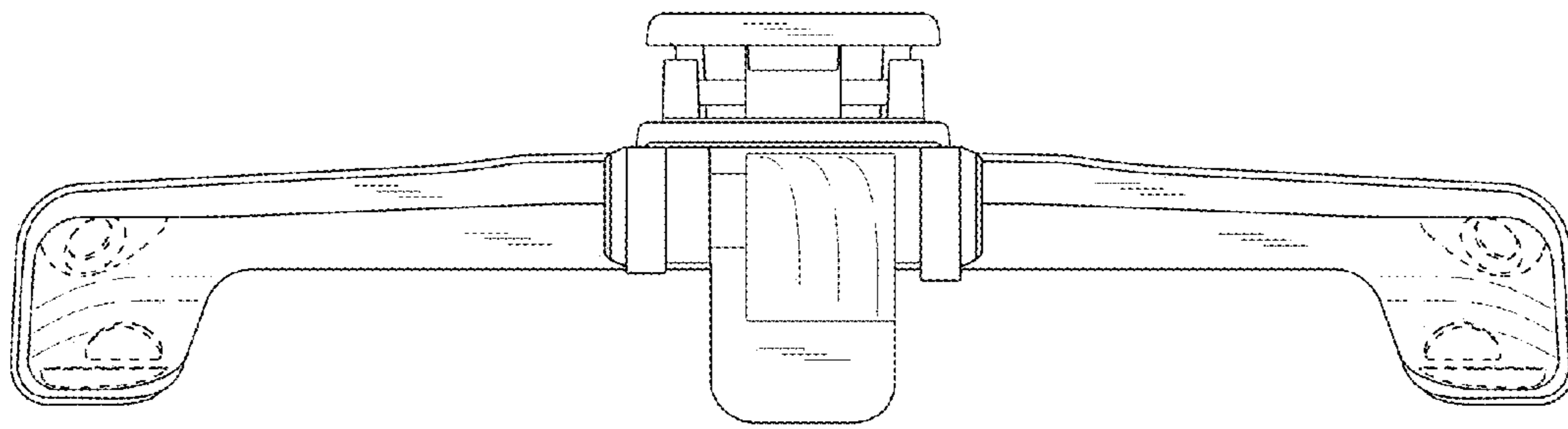


FIG. 6

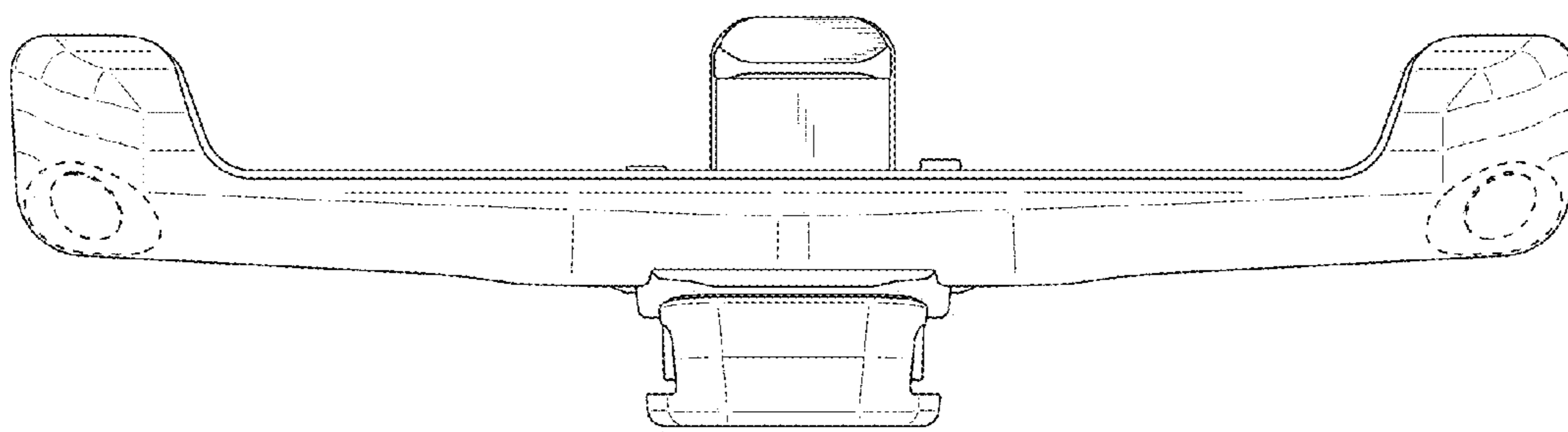


FIG. 7