

US00D765392S

(12) **United States Design Patent**
Chang

(10) **Patent No.:** **US D765,392 S**
(45) **Date of Patent:** **** Sep. 6, 2016**

(54) **SUSPENDED CARD HOLDER**
(71) Applicant: **HON HAI PRECISION INDUSTRY CO., LTD.**, New Taipei (TW)
(72) Inventor: **Yin-Li Chang**, New Taipei (TW)
(73) Assignee: **HON HAI PRECISION INDUSTRY CO., LTD.**, New Taipei (TW)

6,050,014 A * 4/2000 Ohlson A45C 11/182
206/37
6,848,577 B2 * 2/2005 Kawamura A45C 11/182
206/37
D533,994 S * 12/2006 Hussaini D3/218
D723,795 S * 3/2015 Kalbach D3/218

* cited by examiner

(**) Term: **14 Years**
(21) Appl. No.: **29/513,372**
(22) Filed: **Dec. 30, 2014**

Primary Examiner — Catheri Oliver-Garcia
(74) *Attorney, Agent, or Firm* — Zhigang Ma

(57) **CLAIM**
The ornamental design for a suspended card holder, as shown and described.

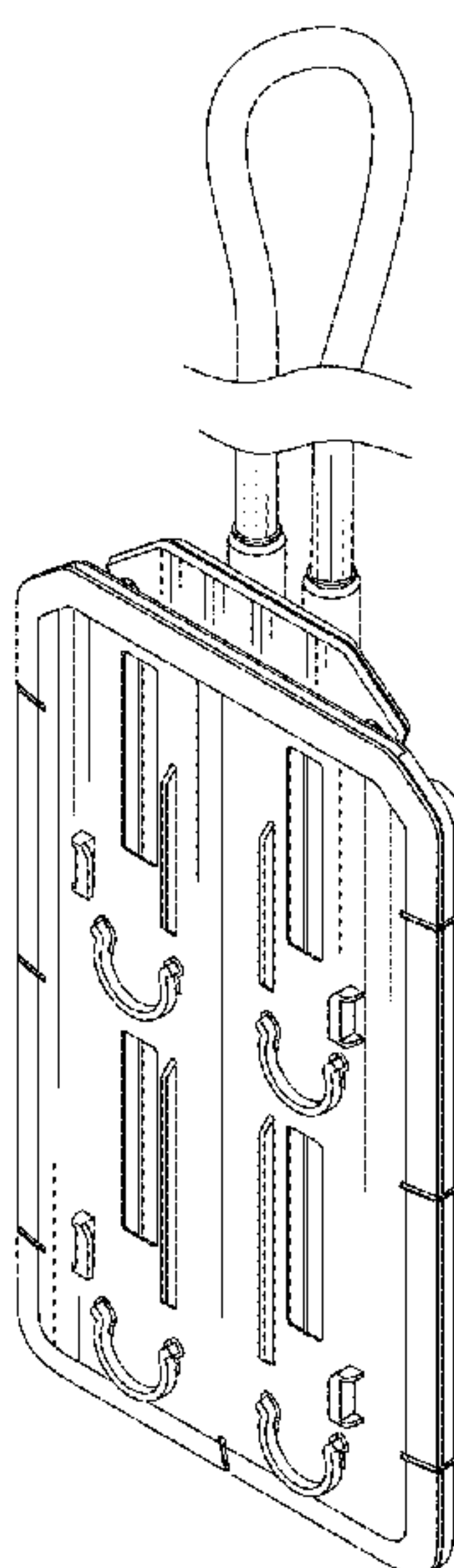
DESCRIPTION

(30) **Foreign Application Priority Data**
Nov. 13, 2014 (TW) 103306643
(51) **LOC (10) Cl.** **03-01**
(52) **U.S. Cl.**
USPC **D3/215; D3/218**
(58) **Field of Classification Search**
USPC D3/215, 218, 227; 40/1.5, 1.6;
206/37-39
CPC A45C 11/182; A45F 5/00; A45F 5/02;
A45F 5/021; A45F 5/022; A45F 2005/00;
A45F 2005/008; A45F 2005/02; A45F
2200/05; A45F 2200/0516; A45F 2005/006
See application file for complete search history.

FIG. 1 is a perspective view of a suspended card holder showing my new design;
FIG. 2 is a front elevational view thereof;
FIG. 3 is a rear elevational view thereof;
FIG. 4 is a right-side elevational view thereof;
FIG. 5 is an enlarged view of circled portion A of the suspended card holder of FIG. 4;
FIG. 6 is a left-side elevational view thereof;
FIG. 7 is an enlarged view of circled portion B of the suspended card holder of FIG. 6;
FIG. 8 is a top plan view thereof;
FIG. 9 is a bottom plan view thereof;
FIG. 10 is a perspective view of the suspended card holder in use with a portable electronic device for reference; and, FIG. 11 is similar to FIG. 10, but viewed from another angle. The strap is shown broken away to indicate that no particular length is claimed.
The broken lines in the drawings are employed to show unclaimed portions of the suspended card holder, and form no part of the claimed design.

(56) **References Cited**
U.S. PATENT DOCUMENTS
4,518,080 A * 5/1985 Ohlson A45C 11/182
206/37
D388,603 S * 1/1998 Fortune D3/215

1 Claim, 11 Drawing Sheets



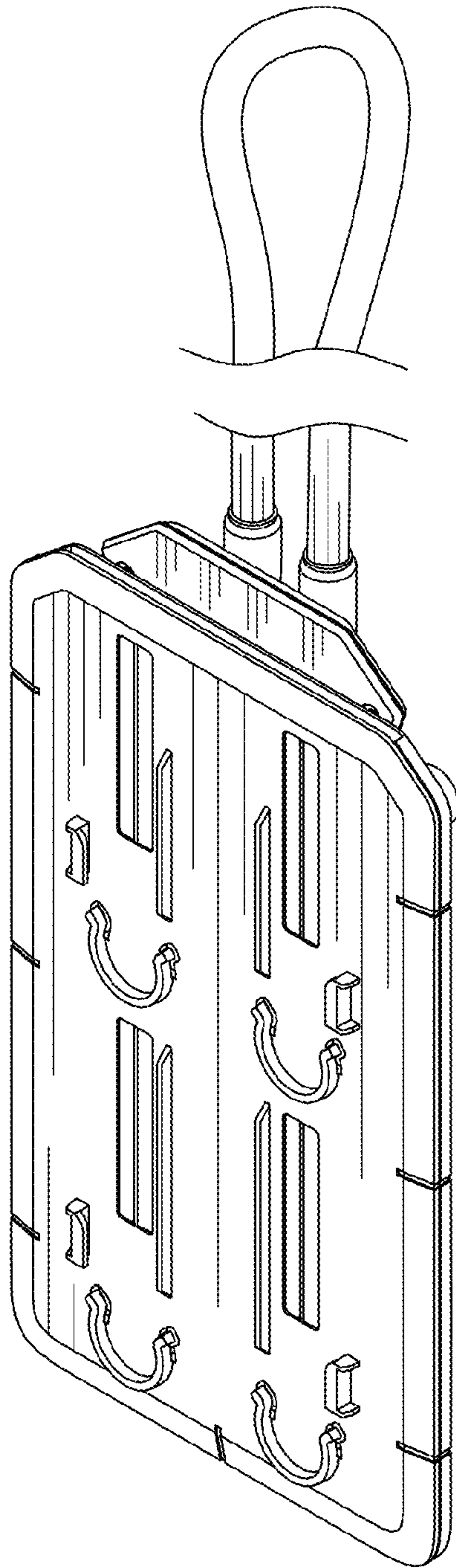


FIG. 1

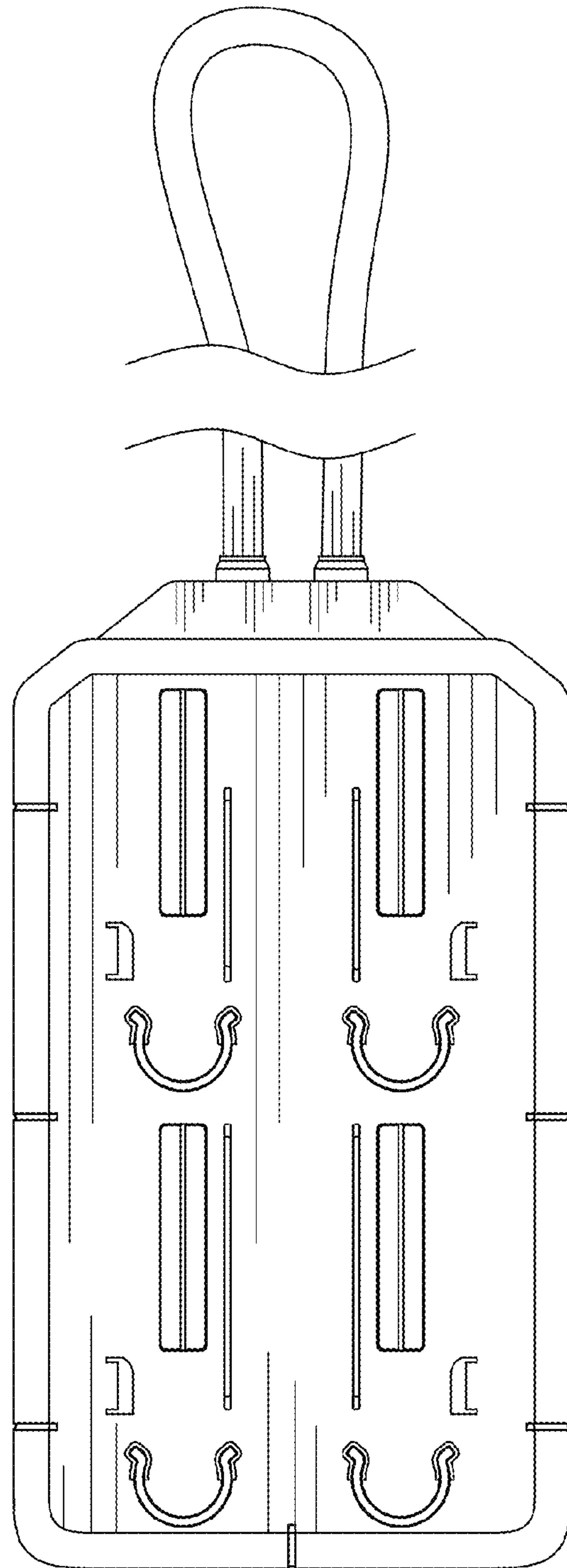


FIG. 2

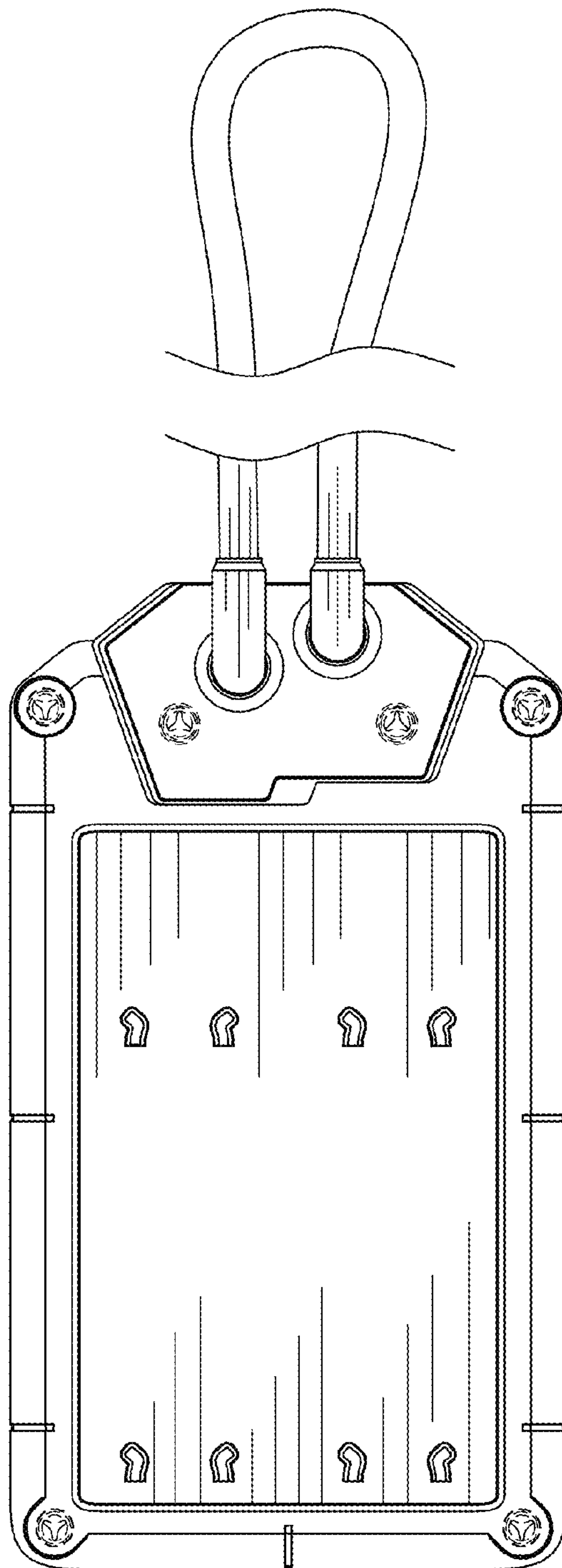


FIG. 3

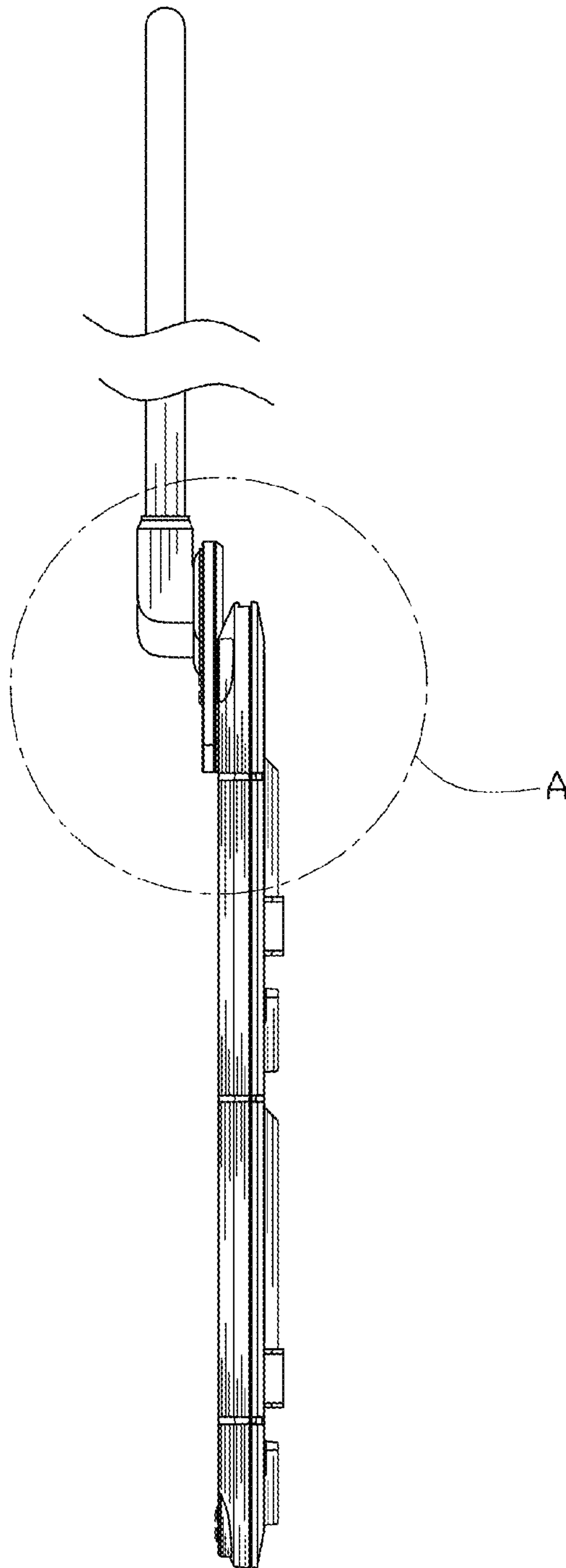


FIG. 4

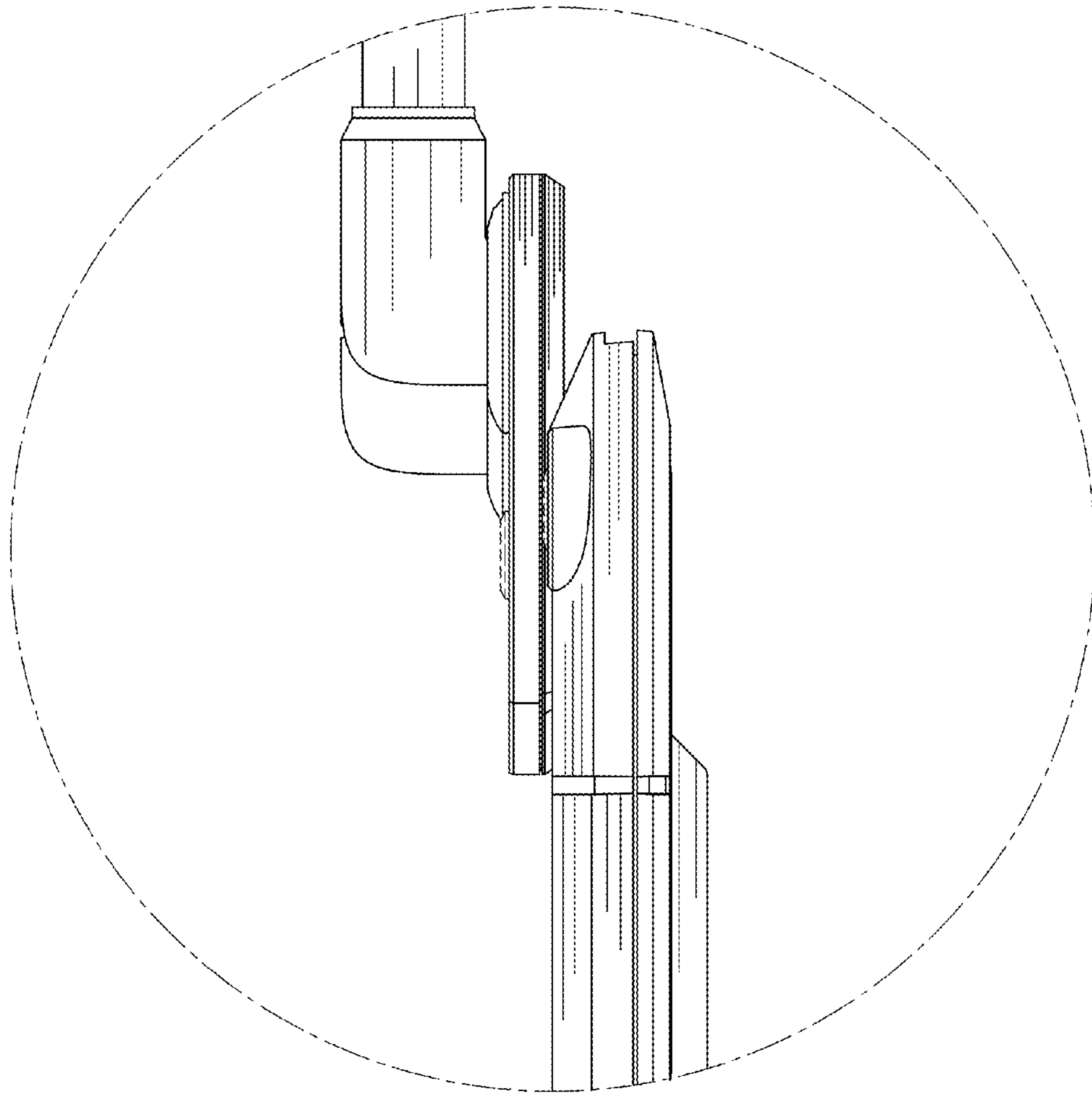


FIG. 5

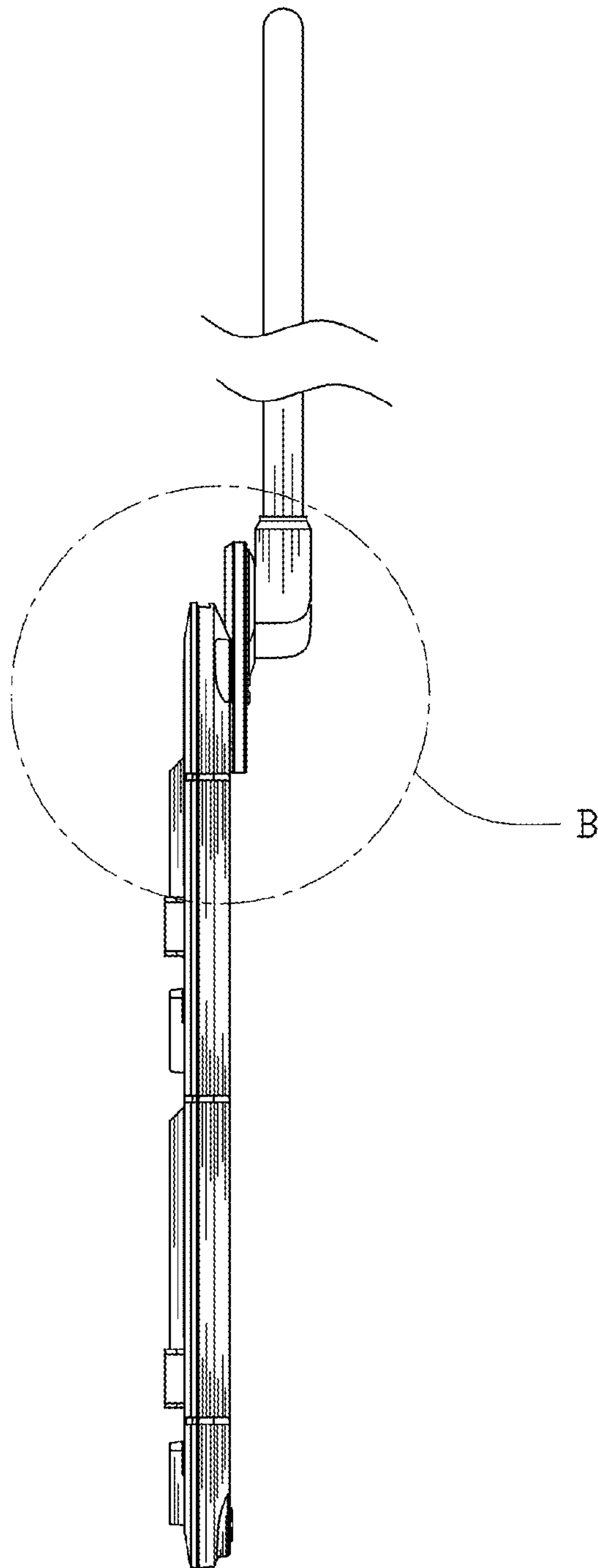


FIG. 6

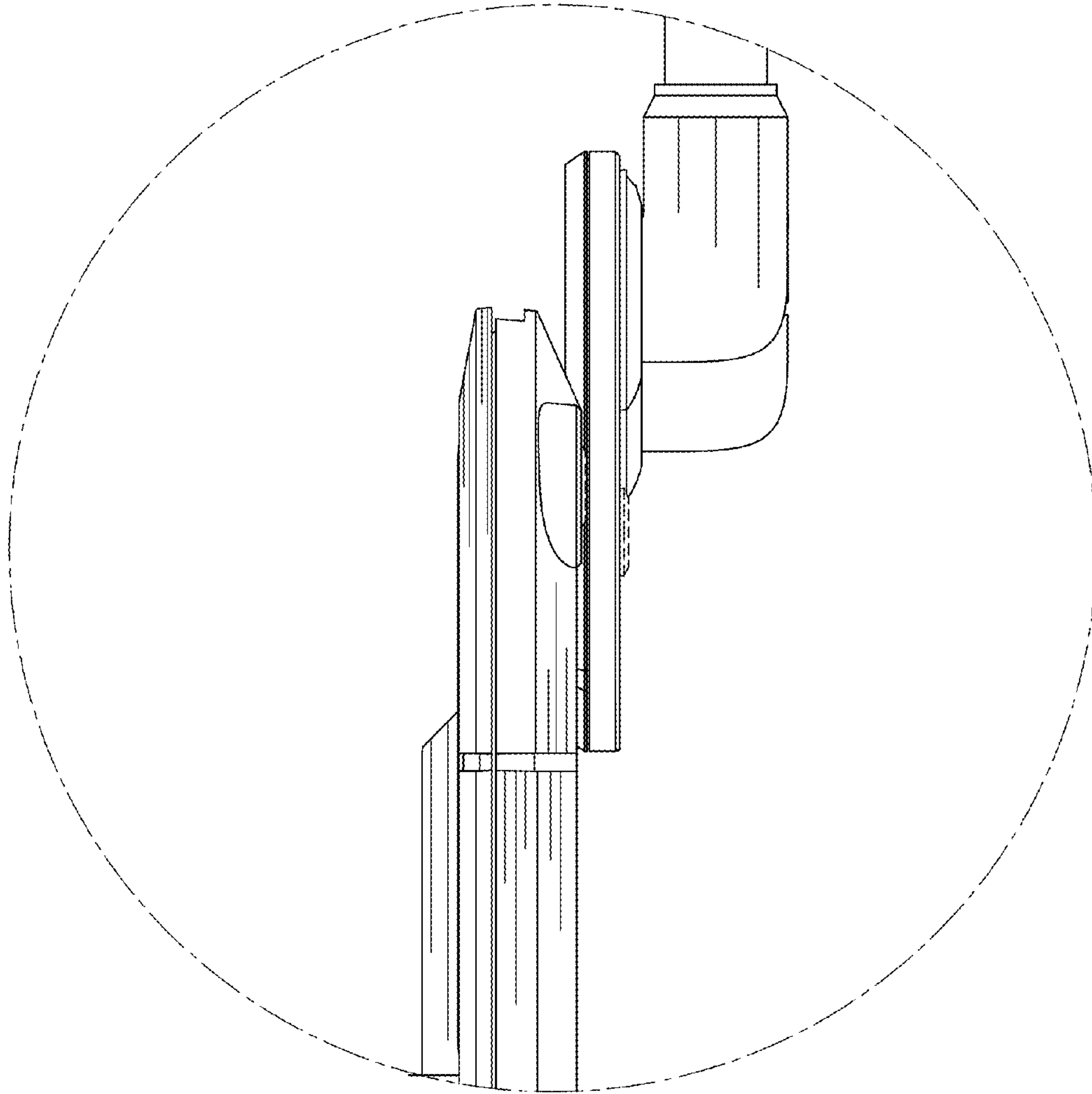


FIG. 7

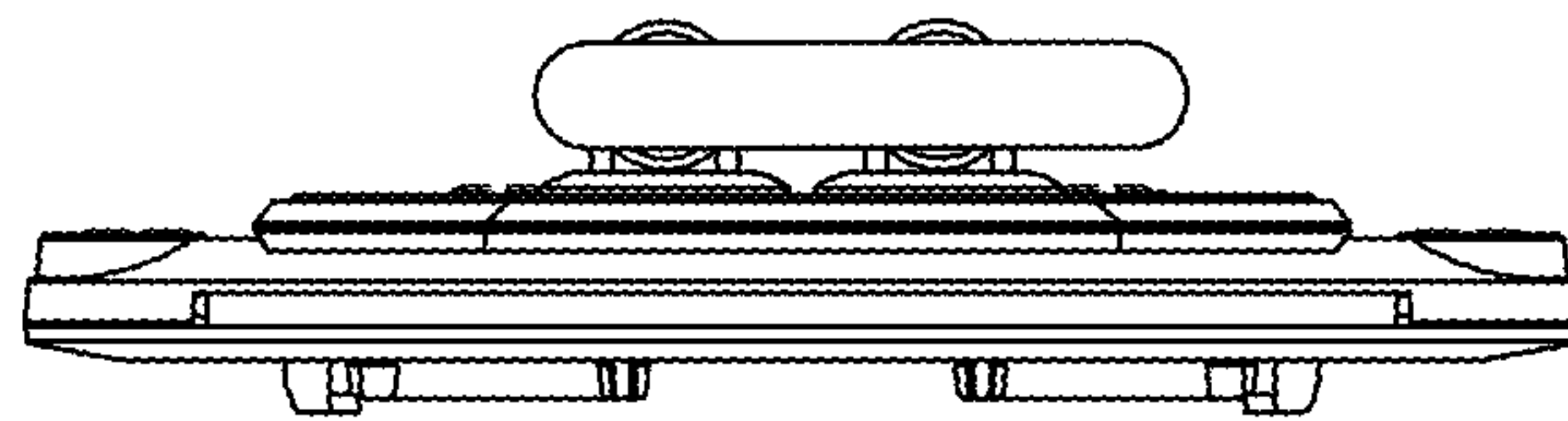


FIG. 8

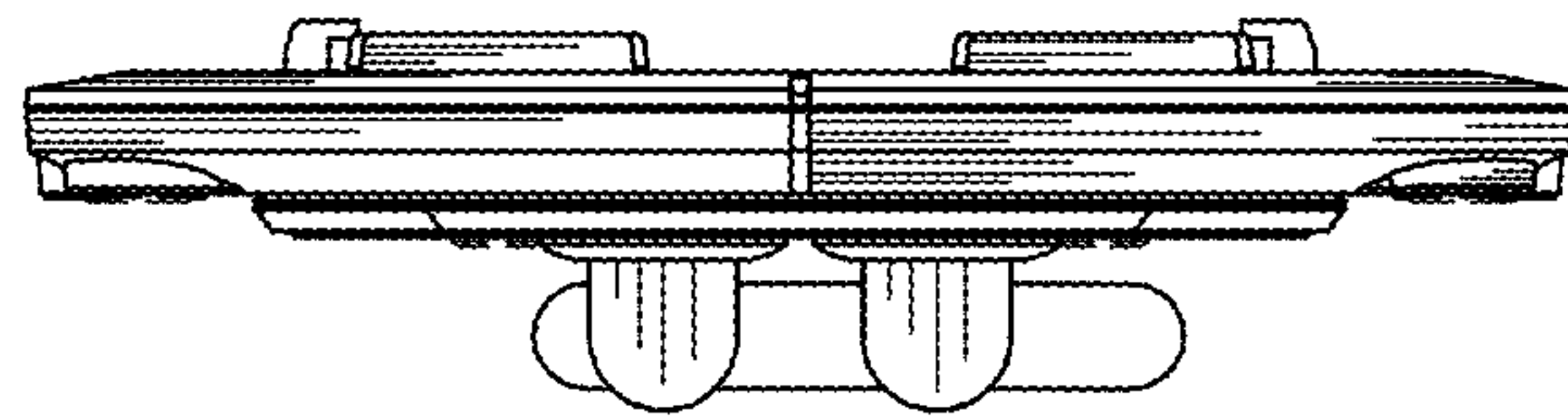


FIG. 9

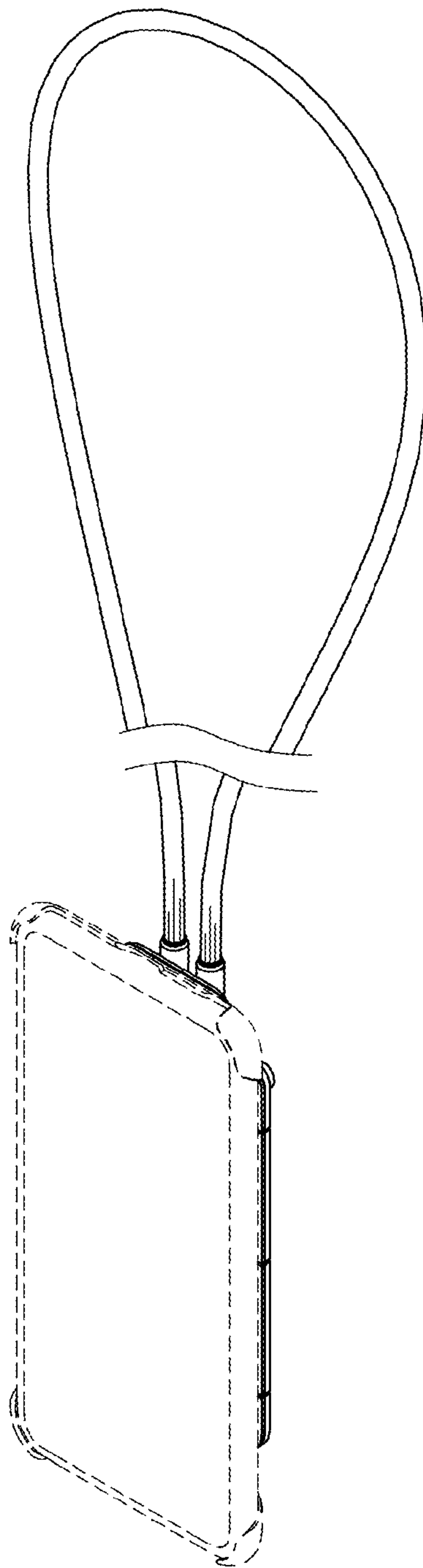


FIG. 10

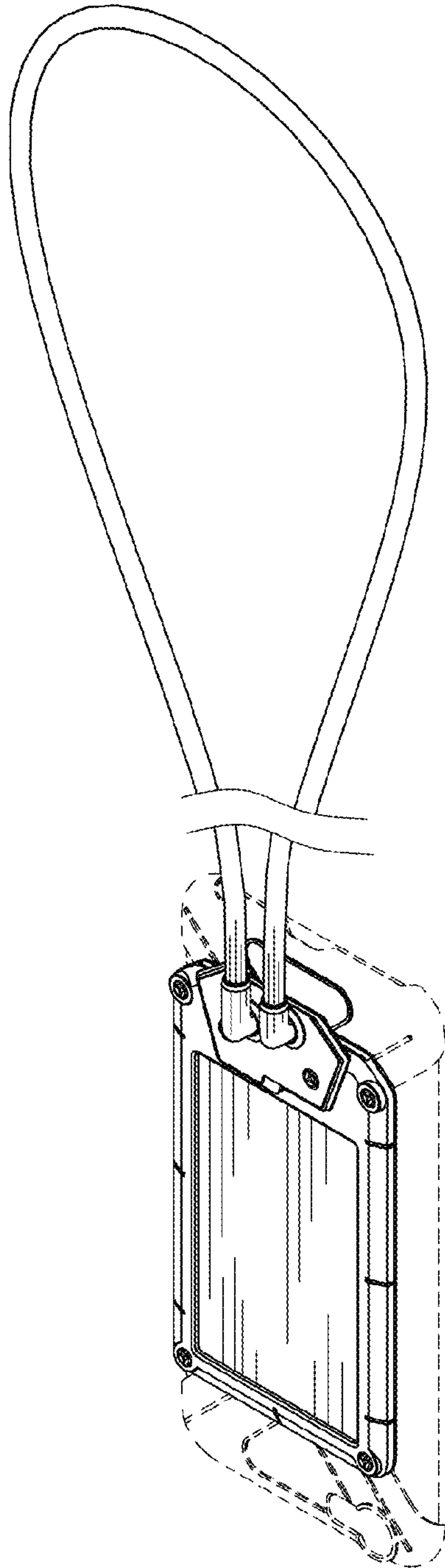


FIG. 11