

US00D765389S

(12) **United States Design Patent** (10) **Patent No.:** **US D765,389 S**
Martin (45) **Date of Patent:** **** Sep. 6, 2016**

- (54) **DISPENSER**
- (71) Applicant: **Medline Industries, Inc.**, Mundelein, IL (US)
- (72) Inventor: **Tambra Martin**, Trevor, WI (US)
- (73) Assignee: **Medline Industries, Inc.**, Mundelein, IL (US)
- (**) Term: **14 Years**
- (21) Appl. No.: **29/513,399**
- (22) Filed: **Dec. 30, 2014**
- (51) **LOC (10) Cl.** **03-01**
- (52) **U.S. Cl.**
USPC **D3/203.5**
- (58) **Field of Classification Search**
USPC D3/203.1-205; D28/73, 76, 82;
206/390, 440-441, 401, 540; D9/415,
D9/418, 443, 501, 503, 734; 602/41, 52
CPC A61F 13/023; A61F 15/002
See application file for complete search history.

(56) **References Cited**

U.S. PATENT DOCUMENTS

D128,936 S *	8/1941	Foley	206/540
2,310,082 A	2/1943	Holbrooke	
2,349,709 A	5/1944	Evans	
2,399,545 A	4/1946	Davis	
2,940,868 A	6/1960	Patchell	
3,199,548 A	8/1965	Conant	
3,457,919 A	7/1969	Harbard	
3,530,494 A	9/1970	Baratta	
3,618,754 A	11/1971	Hoey	
4,428,808 A	1/1984	Weinert	
4,735,342 A	4/1988	Goldstein	
4,742,826 A	5/1988	McLorg	
4,782,196 A	11/1988	Ukai	
4,807,753 A *	2/1989	Goldstein	A61F 15/002 206/390
4,882,004 A	11/1989	Watson	

5,050,497 A	9/1991	Klemm	
5,083,488 A	1/1992	Stanley	
5,230,701 A	7/1993	Meyer	
5,397,298 A	3/1995	Mazza	
5,496,605 A	3/1996	Augst	
5,650,214 A	7/1997	Anderson	
5,704,905 A	1/1998	Jensen	
5,782,496 A	7/1998	Casper	
5,782,786 A *	7/1998	Tomaiuolo	A61F 13/023 206/440
5,792,091 A	8/1998	Staudinger	
5,842,413 A	12/1998	Karlyn	

(Continued)

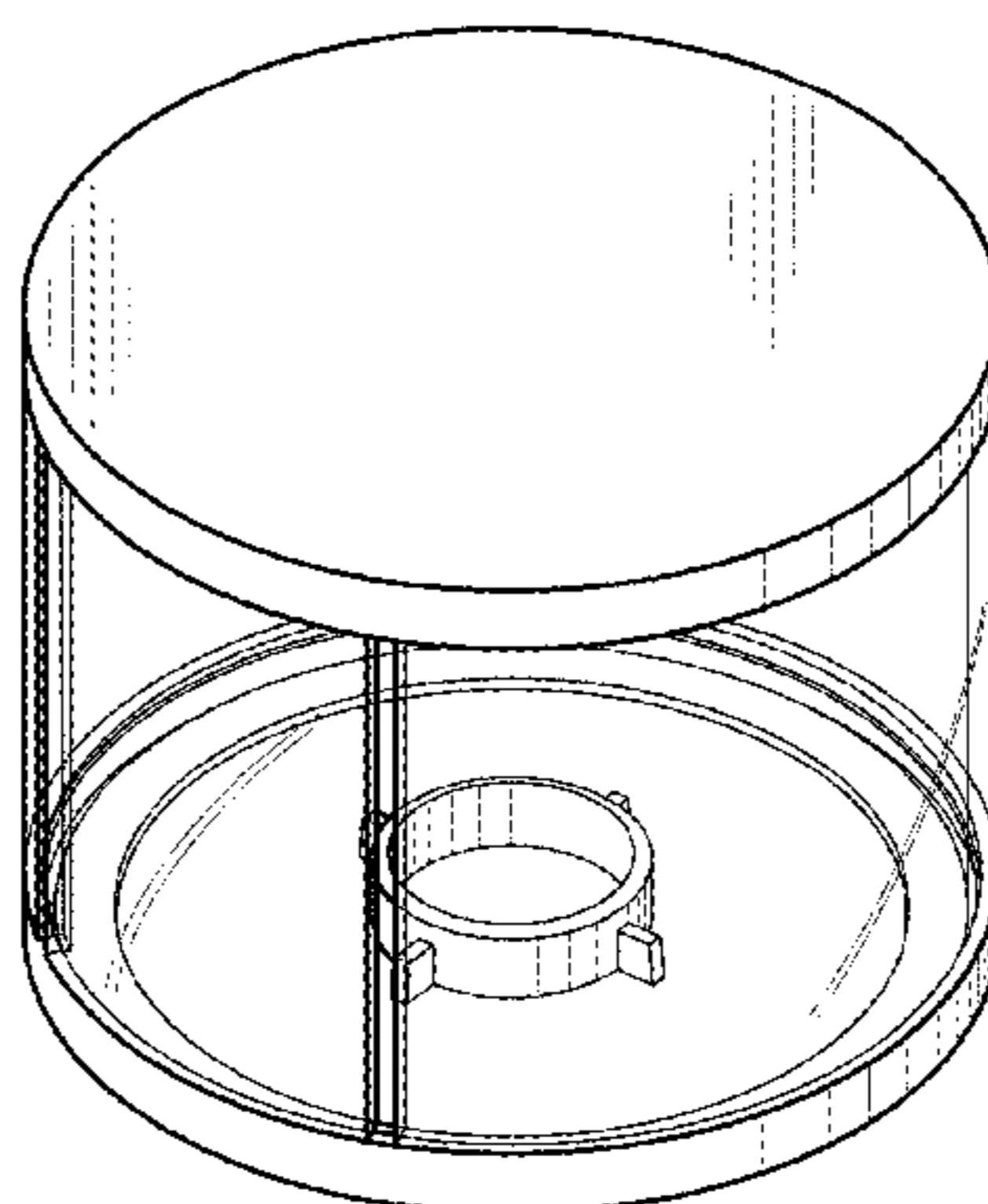
Primary Examiner — Catheri Oliver-Garcia
(74) *Attorney, Agent, or Firm* — Fitch, Even, Tabin & Flannery LLP

(57) **CLAIM**
We claim the ornamental design for a dispenser, as shown and described.

DESCRIPTION

FIG. 1 is a top perspective view showing a dispenser in accordance with our new design;
FIG. 2 is a bottom perspective view thereof;
FIG. 3 is a front elevational view thereof;
FIG. 4 is a rear elevational view thereof;
FIG. 5 is a top plan view thereof;
FIG. 6 is a bottom plan view thereof;
FIG. 7 is a left side elevational view thereof;
FIG. 8 is a right side elevational view thereof;
FIG. 9 is a reduced scale top perspective exploded view thereof;
FIG. 10 is a reduced scale bottom perspective exploded view thereof;
FIG. 11 is a front elevational exploded view thereof;
FIG. 12 is a rear elevational exploded view thereof;
FIG. 13 is a top plan exploded view thereof;
FIG. 14 is a bottom plan exploded view thereof;
FIG. 15 is a left side elevational exploded view thereof; and,
FIG. 16 is a right side elevational exploded view thereof.

1 Claim, 16 Drawing Sheets



(56)

References Cited

U.S. PATENT DOCUMENTS

5,861,348 A 1/1999 Kase
 D408,626 S * 4/1999 Lage D3/203.5
 6,103,369 A 8/2000 Lucast
 6,213,343 B1 4/2001 Damikolas
 6,422,848 B1 7/2002 Allen
 6,495,229 B1 12/2002 Carte
 6,726,386 B1 4/2004 Gruenbacher
 6,756,519 B2 * 6/2004 Johnson A61F 15/002
 206/401
 6,953,602 B2 10/2005 Carte
 7,012,170 B1 3/2006 Tomaioulo
 7,146,893 B2 12/2006 Aichele
 7,220,889 B2 5/2007 Sigurjonsson
 7,309,809 B2 12/2007 Smith
 D561,943 S * 2/2008 Desdoigts D28/82
 7,608,090 B2 10/2009 Matsui
 D621,051 S 8/2010 Kase
 D621,052 S 8/2010 Kase
 D621,053 S 8/2010 Kase
 D621,054 S 8/2010 Kase
 7,902,420 B2 3/2011 Kase
 7,947,366 B2 5/2011 Ishiwatari
 D639,962 S 6/2011 Kase

D639,963 S 6/2011 Kase
 D639,964 S 6/2011 Kase
 D640,379 S 6/2011 Hope
 D641,083 S 7/2011 Kase
 D649,254 S 11/2011 Kase
 D649,255 S 11/2011 Kase
 8,211,073 B2 7/2012 Dove
 8,216,415 B2 7/2012 Quinn
 8,323,773 B2 12/2012 Flanigan
 D678,685 S 3/2013 Kase
 8,530,022 B2 9/2013 Fabo
 D699,593 S * 2/2014 Boon D9/734
 2007/0218269 A1 9/2007 Kato
 2009/0259192 A1 10/2009 Fabo
 2010/0098846 A1 4/2010 Ding
 2010/0210987 A1 8/2010 Lu
 2010/0298747 A1 11/2010 Quinn
 2010/0324511 A1 12/2010 Dove
 2011/0271854 A1 11/2011 Quinn
 2011/0275969 A1 11/2011 Quinn
 2011/0276040 A1 11/2011 Quinn
 2012/0232448 A1 9/2012 Wust
 2012/0295054 A1 11/2012 Hope
 2013/0310774 A1 11/2013 Kase
 2014/0102632 A1 4/2014 Quinn

* cited by examiner

Fig. 1

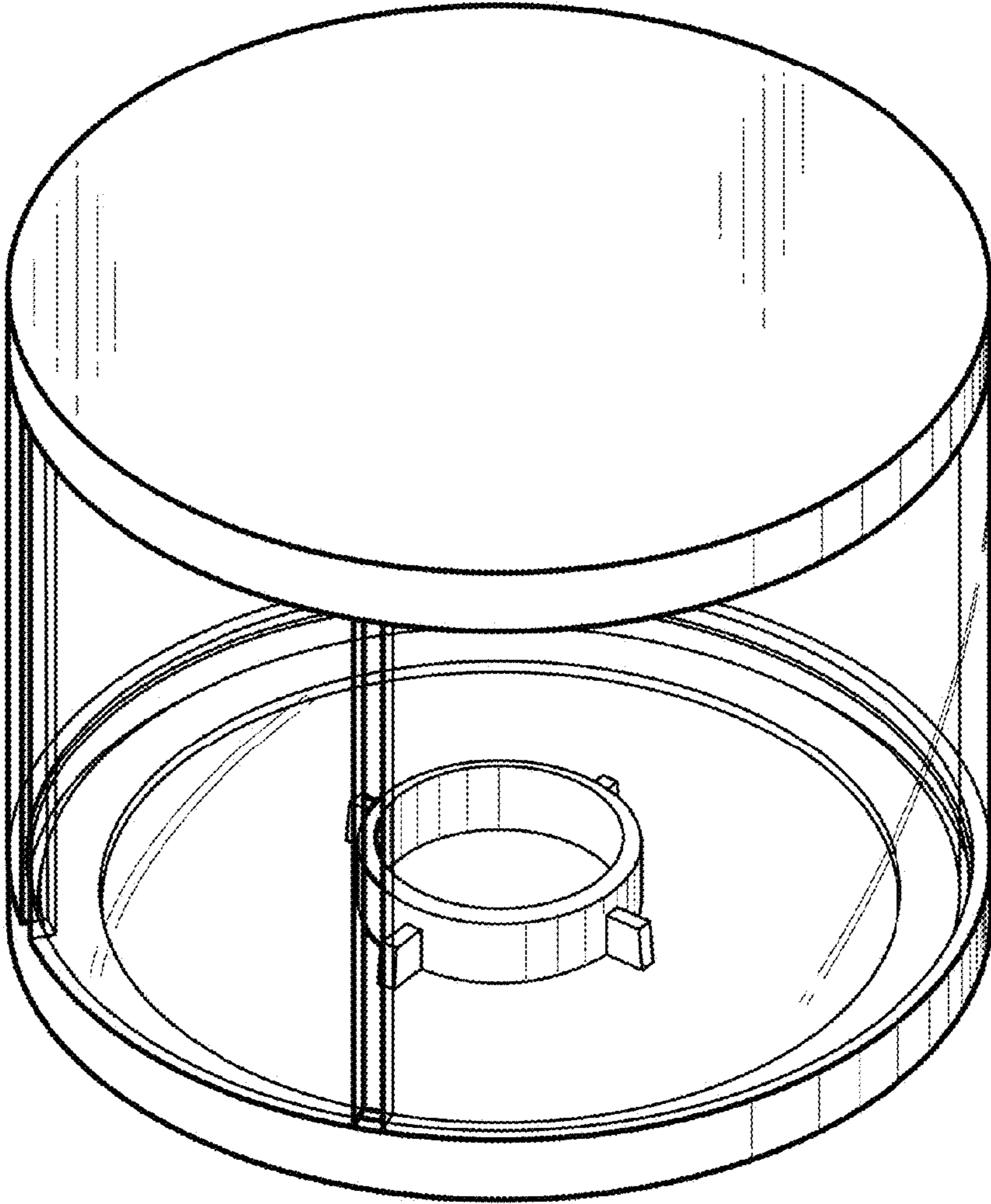


Fig. 2

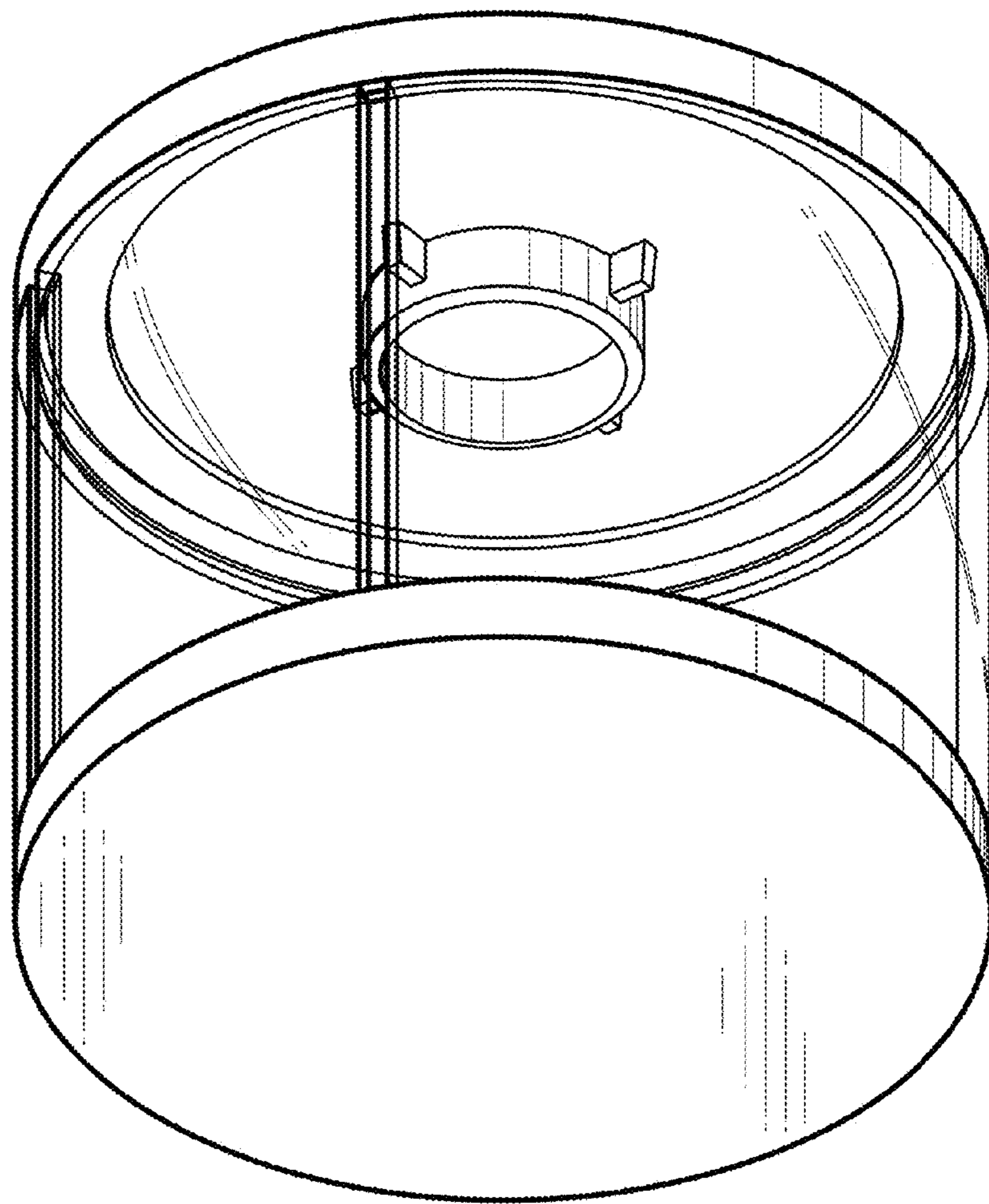


Fig. 3

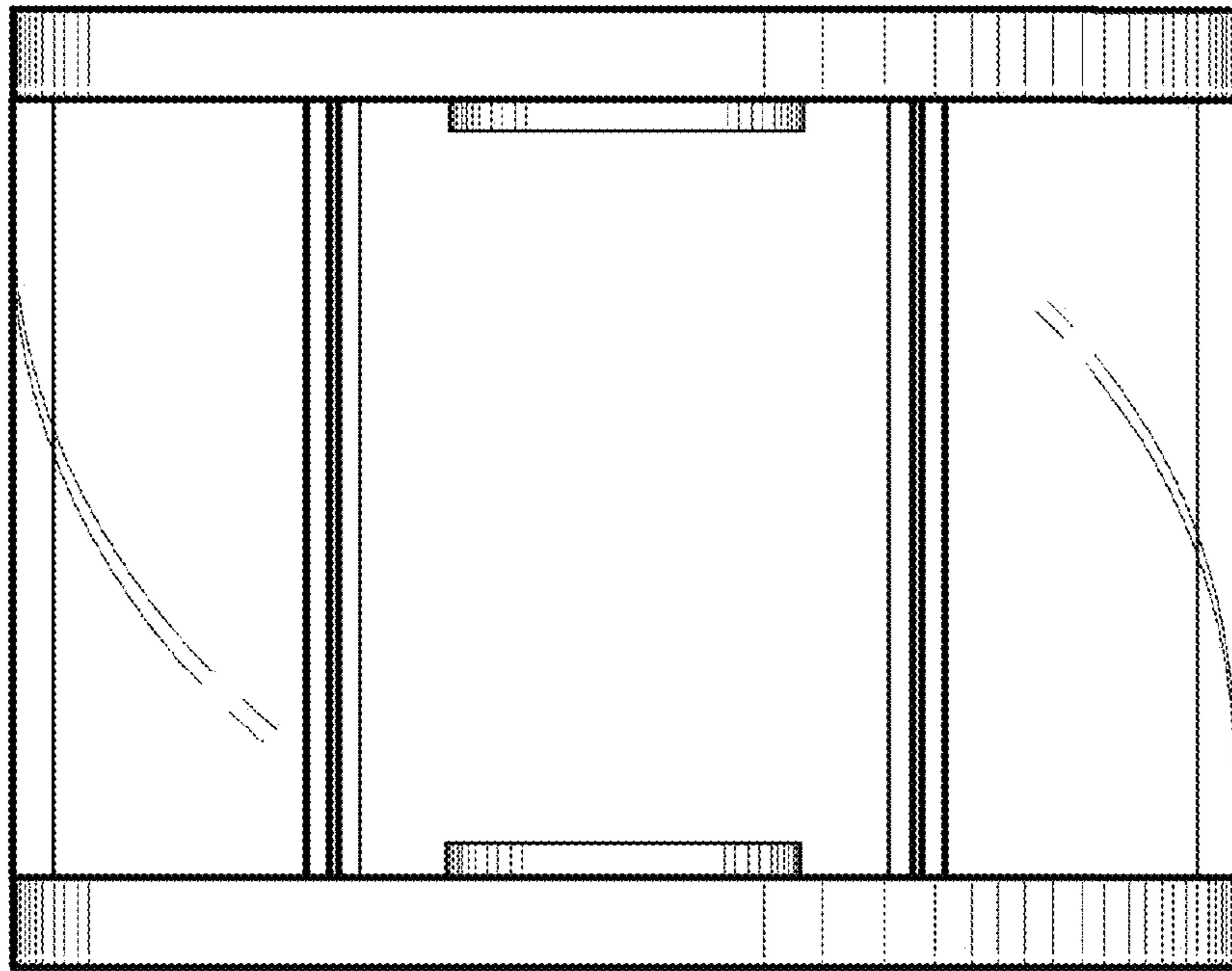


Fig. 4

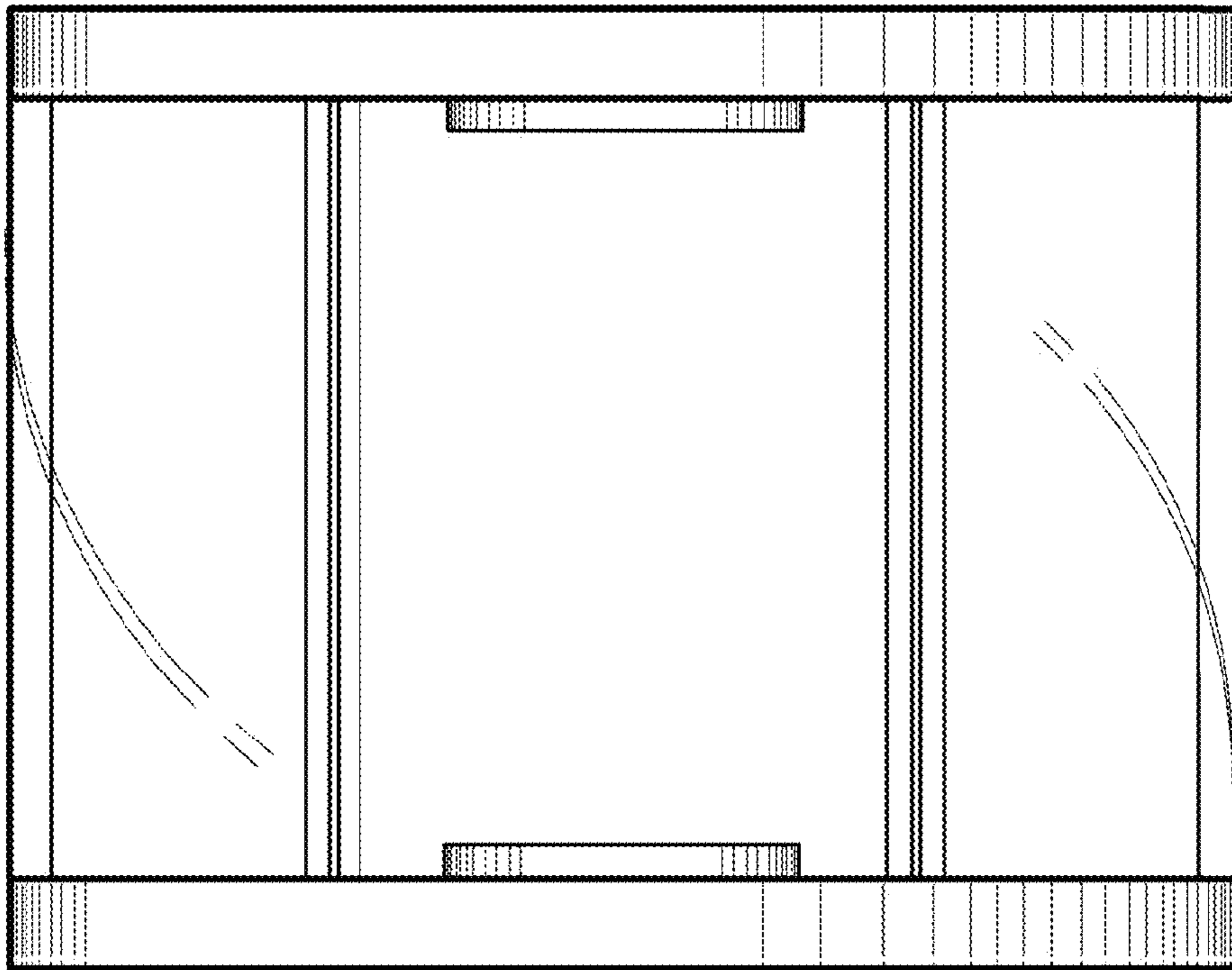


Fig. 5

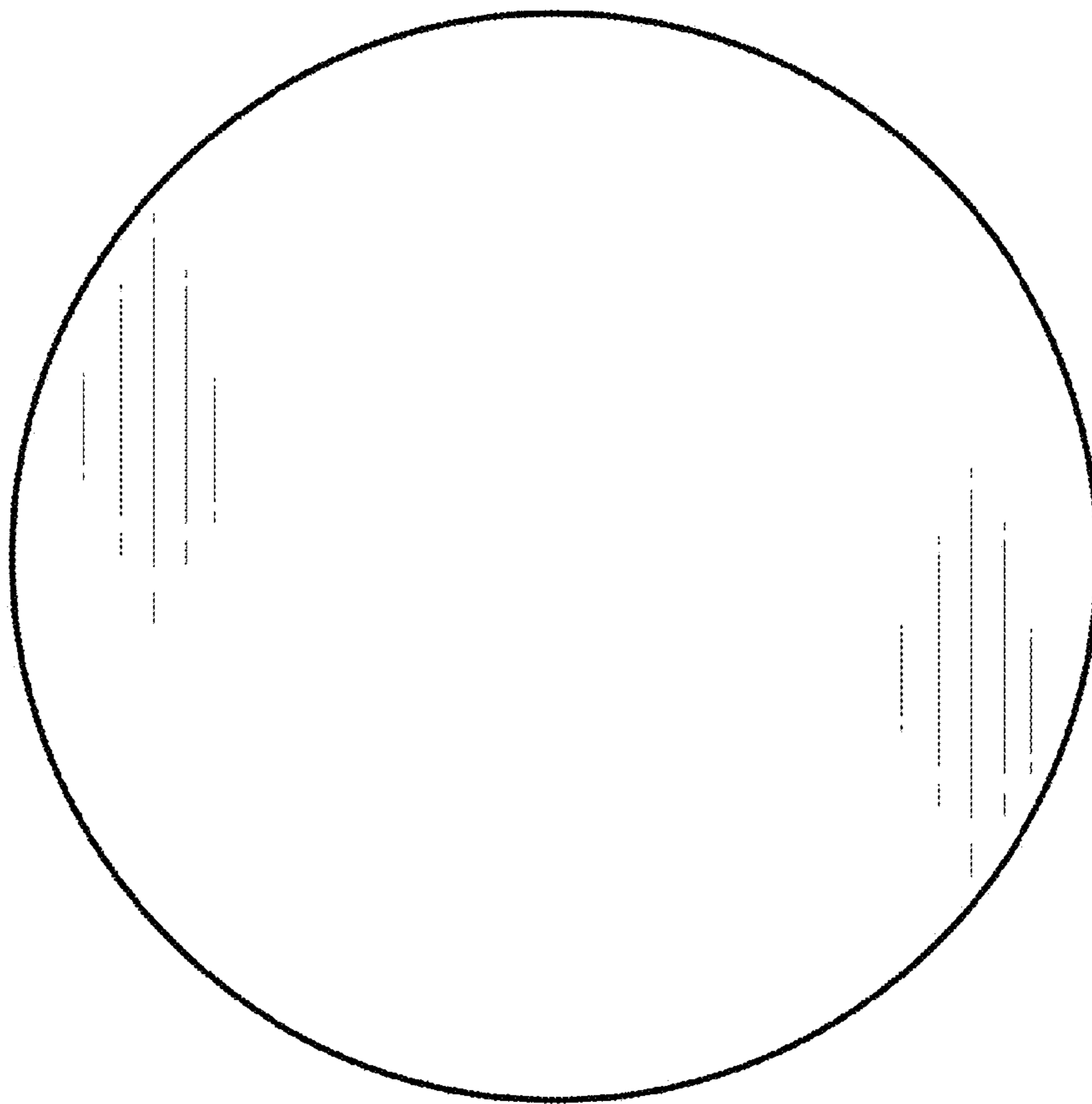


Fig. 6

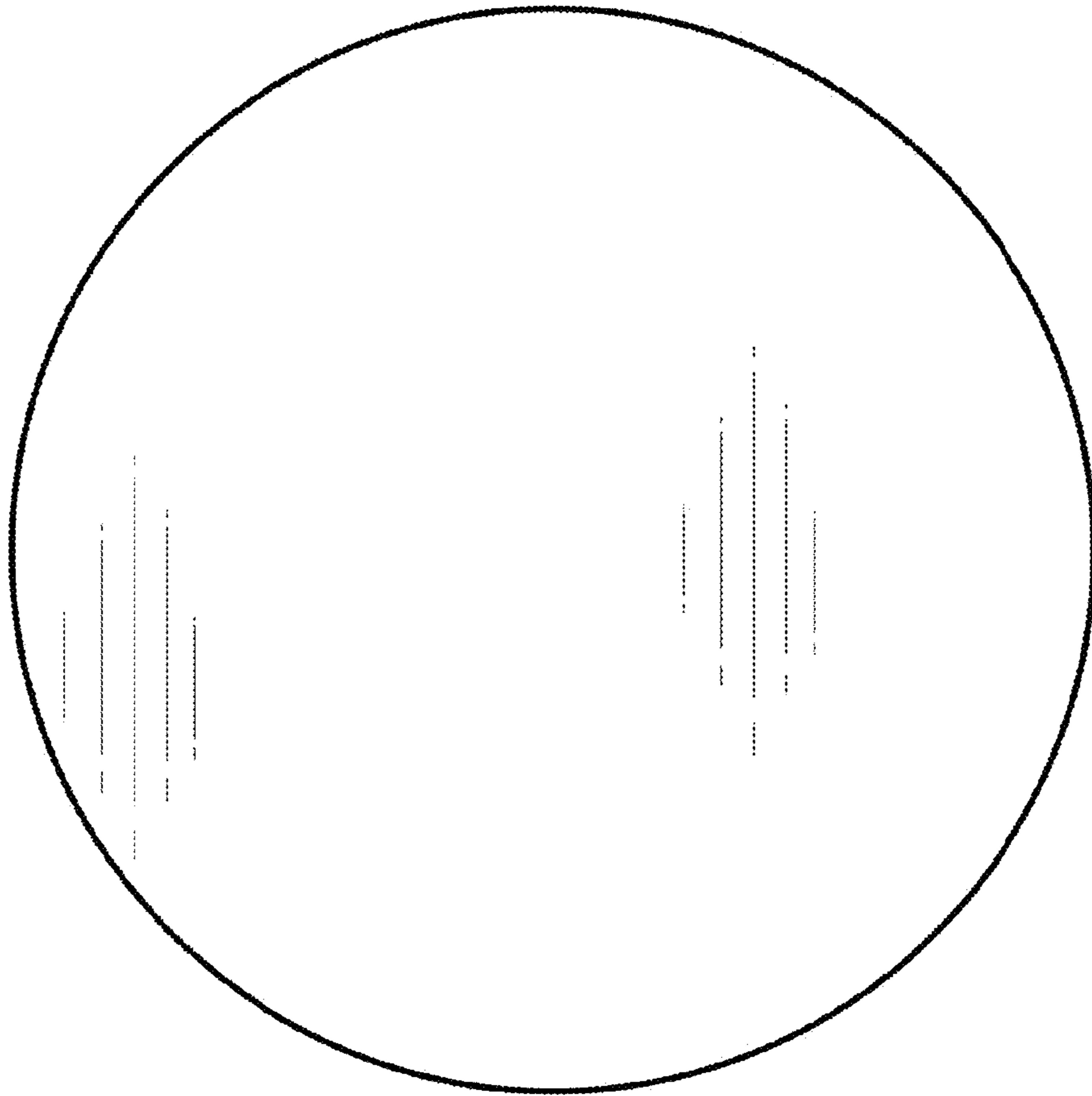


Fig. 7

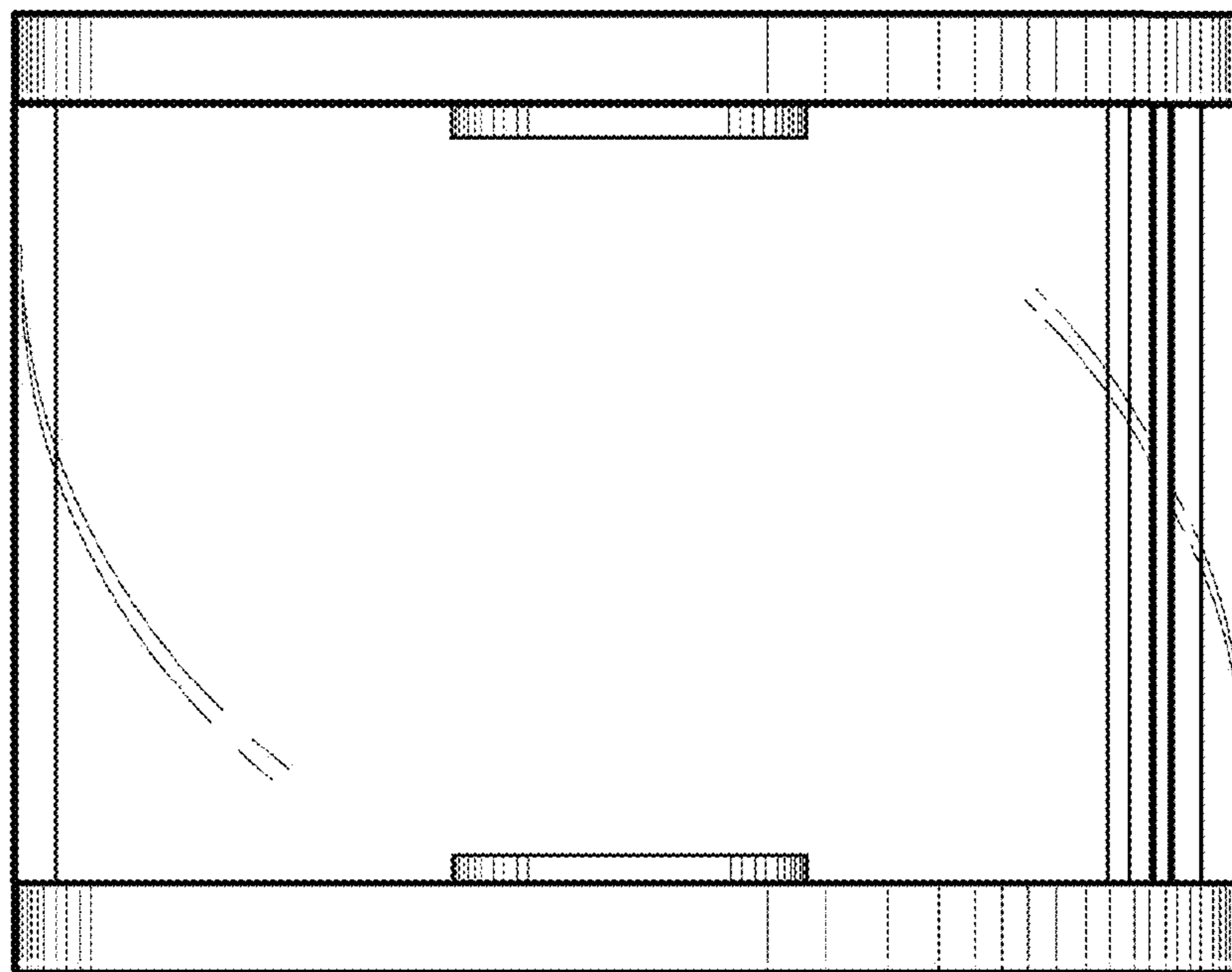


Fig. 8

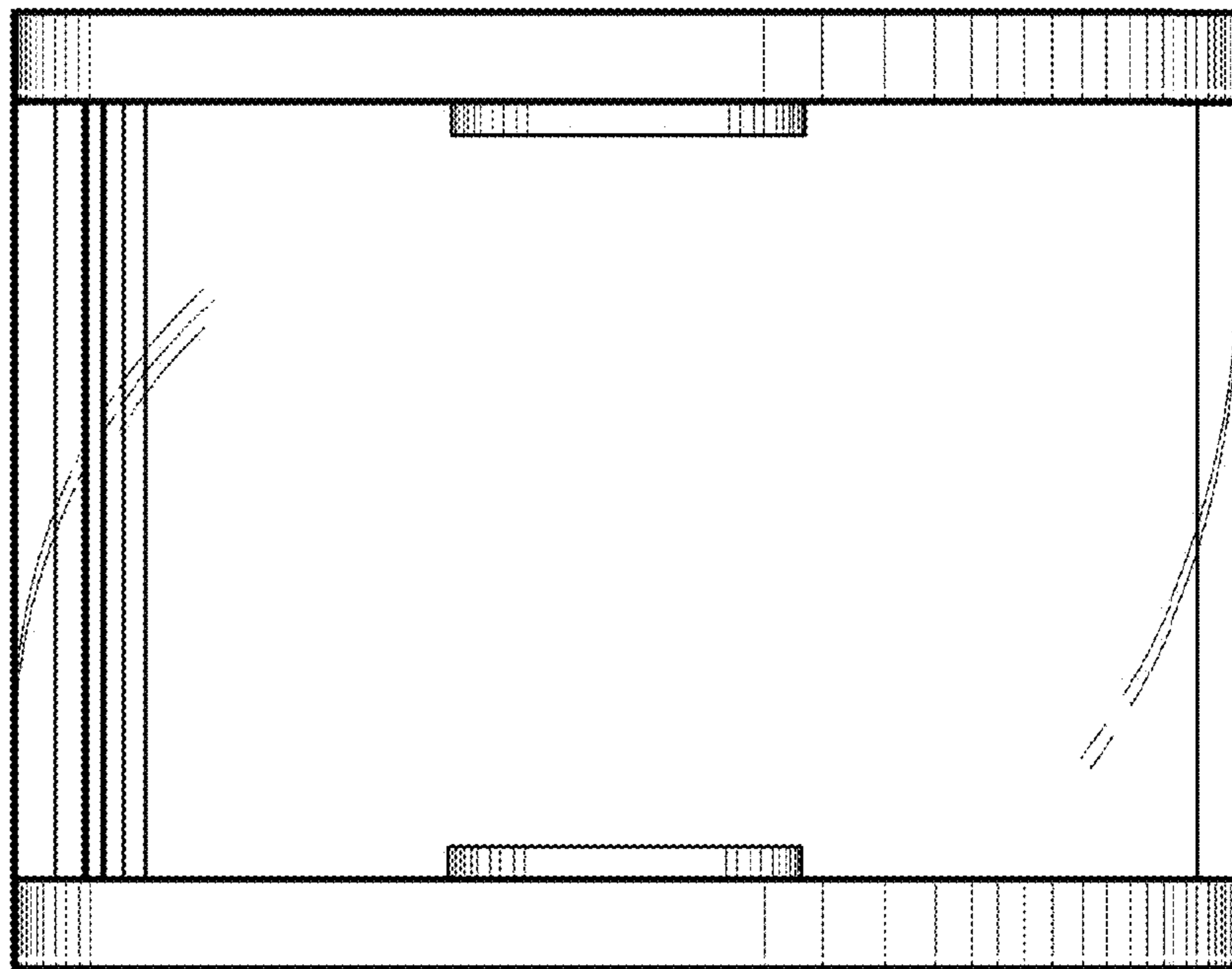


Fig. 9

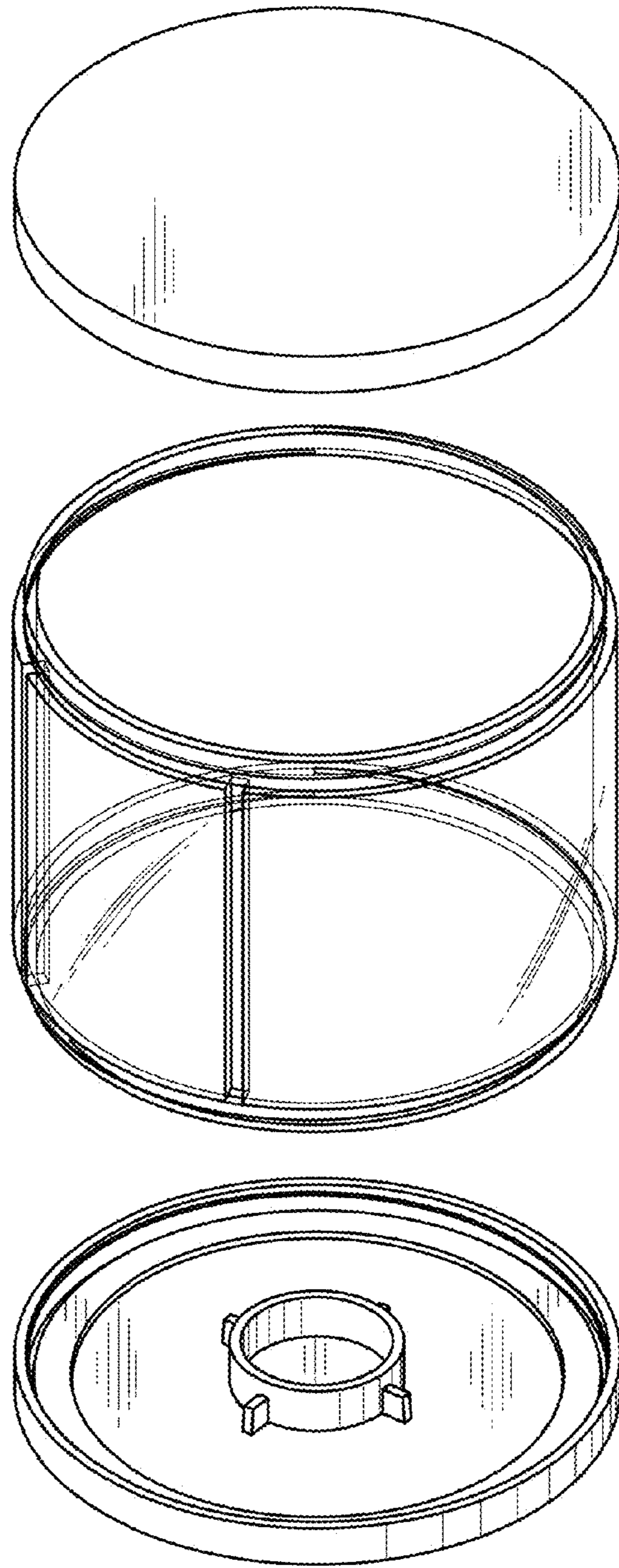


Fig. 10

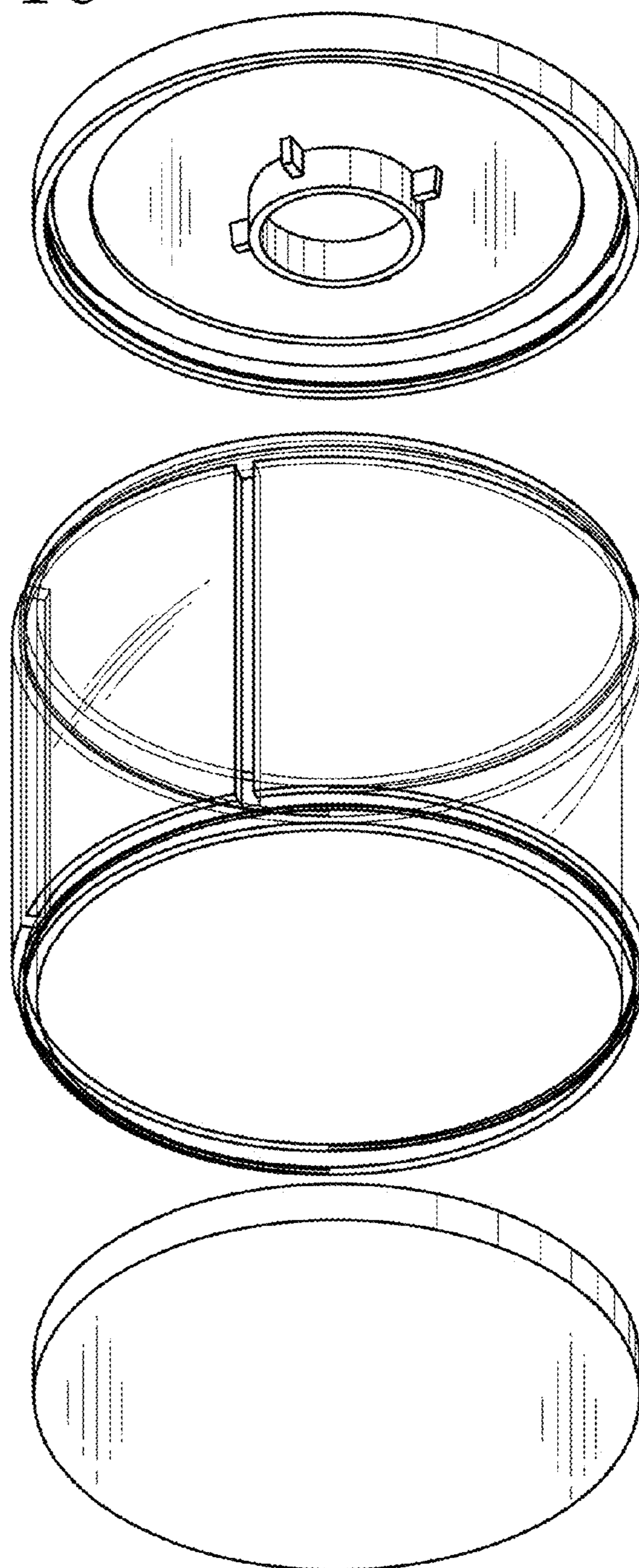


Fig. 11

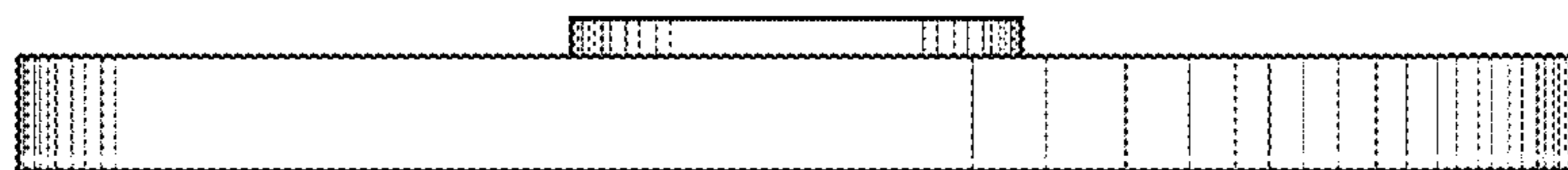
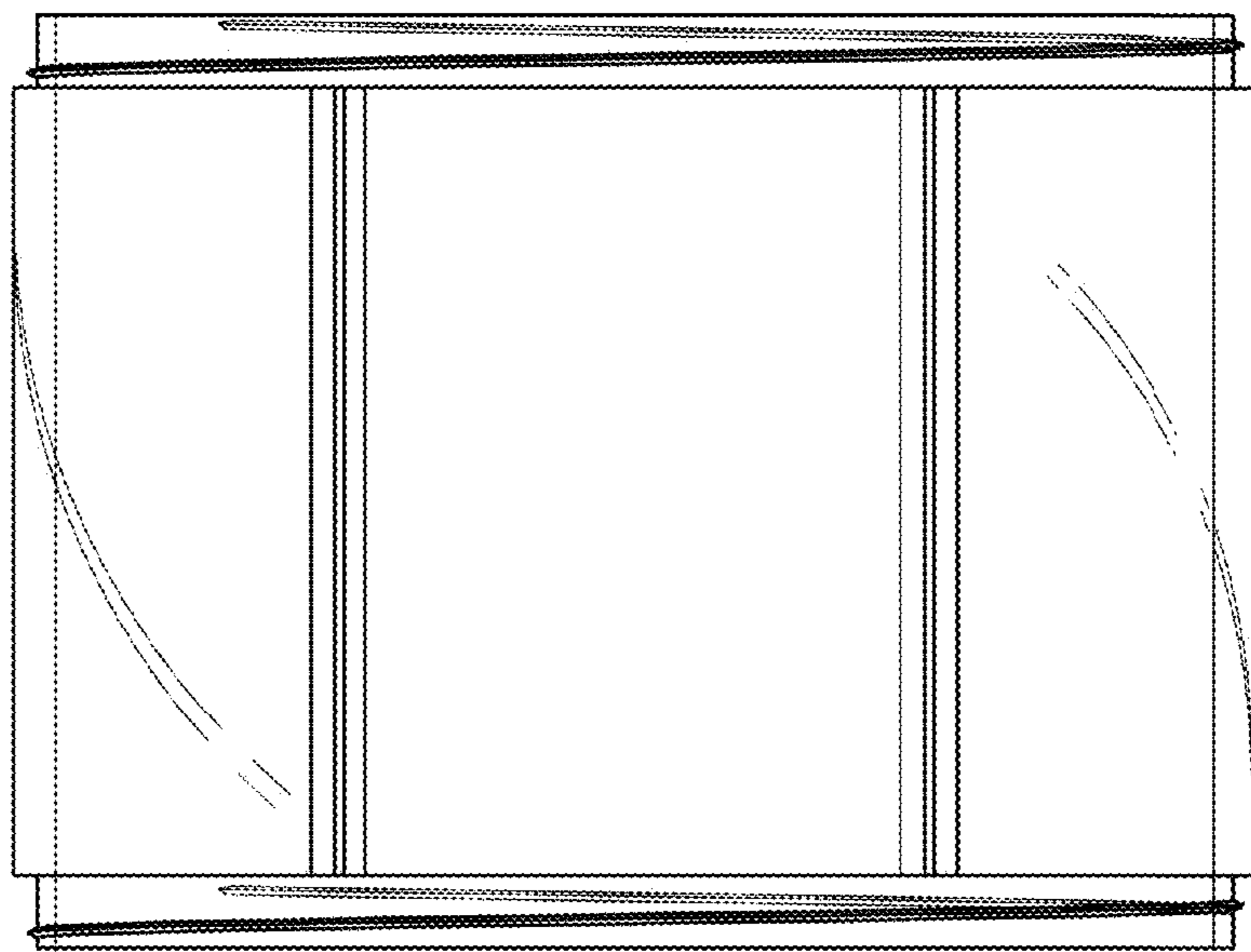


Fig. 12

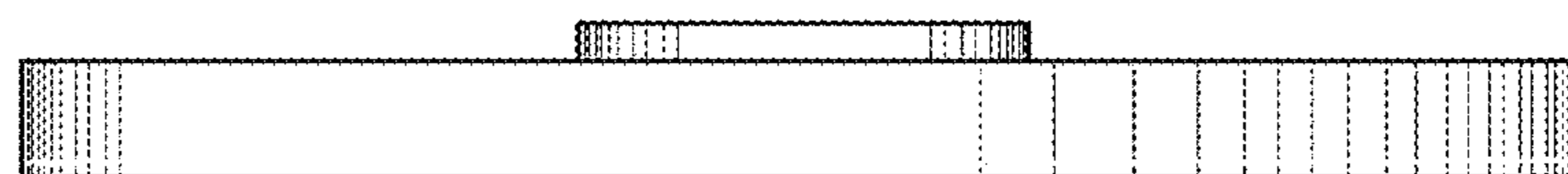
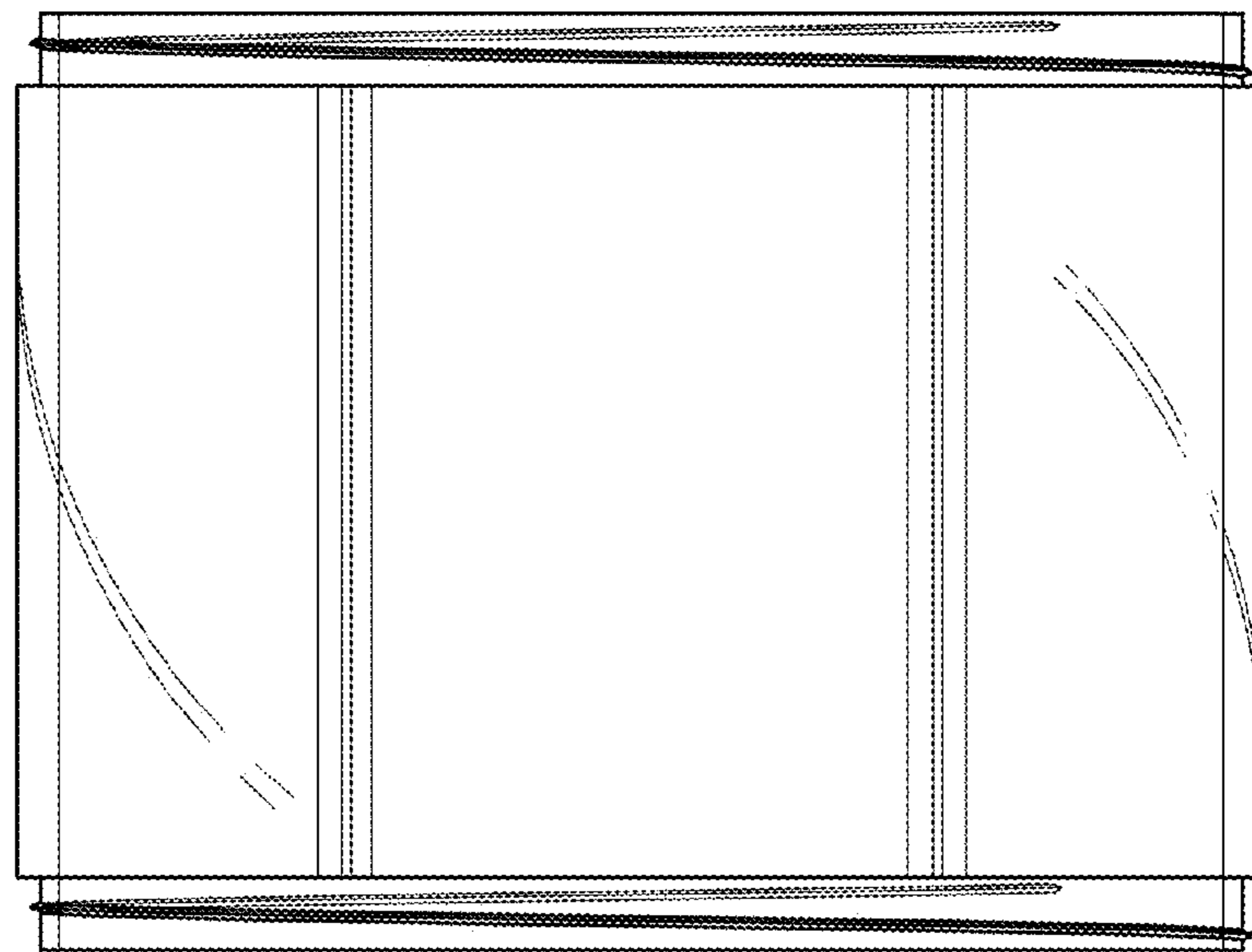


Fig. 13

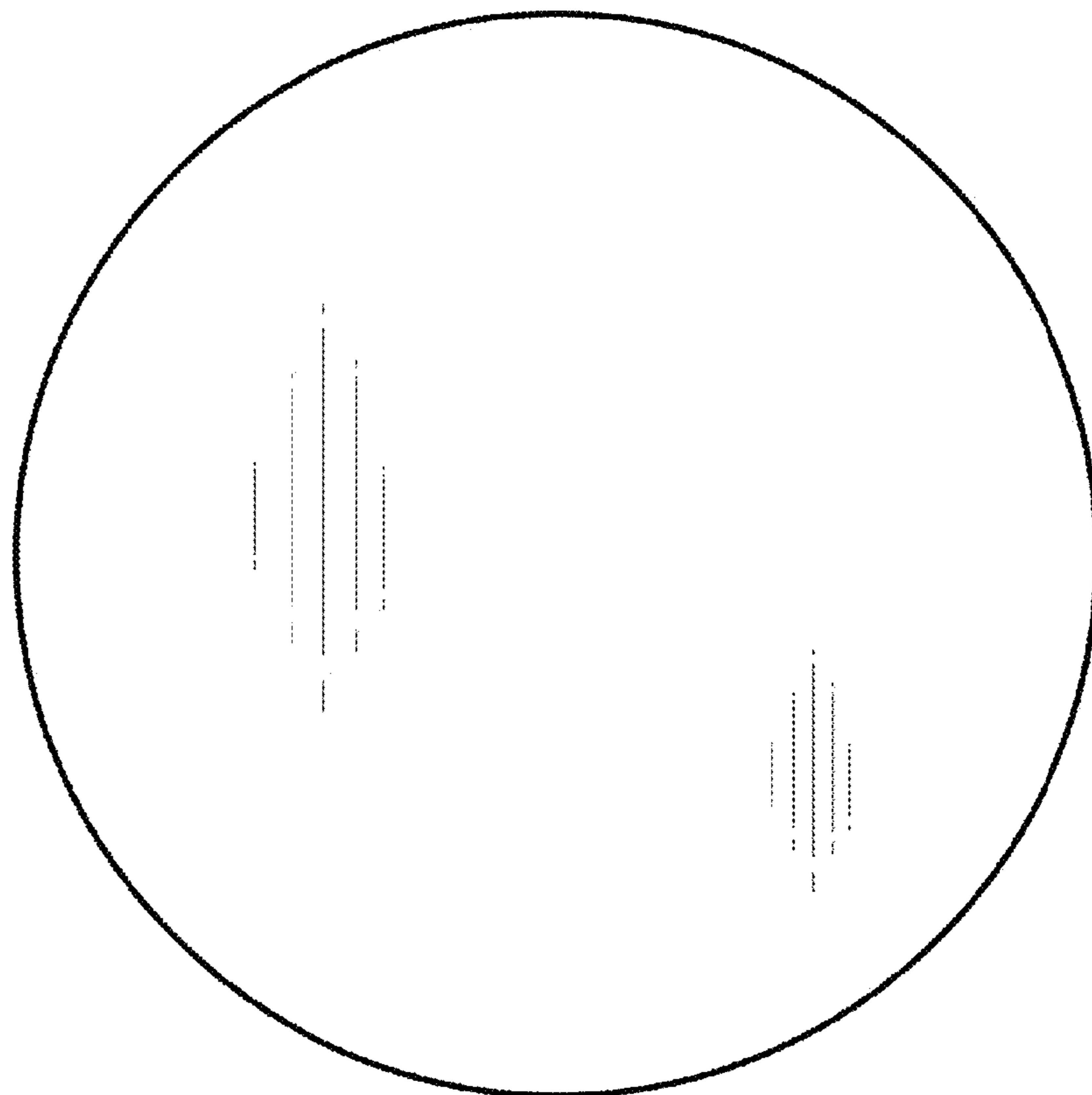


Fig. 14

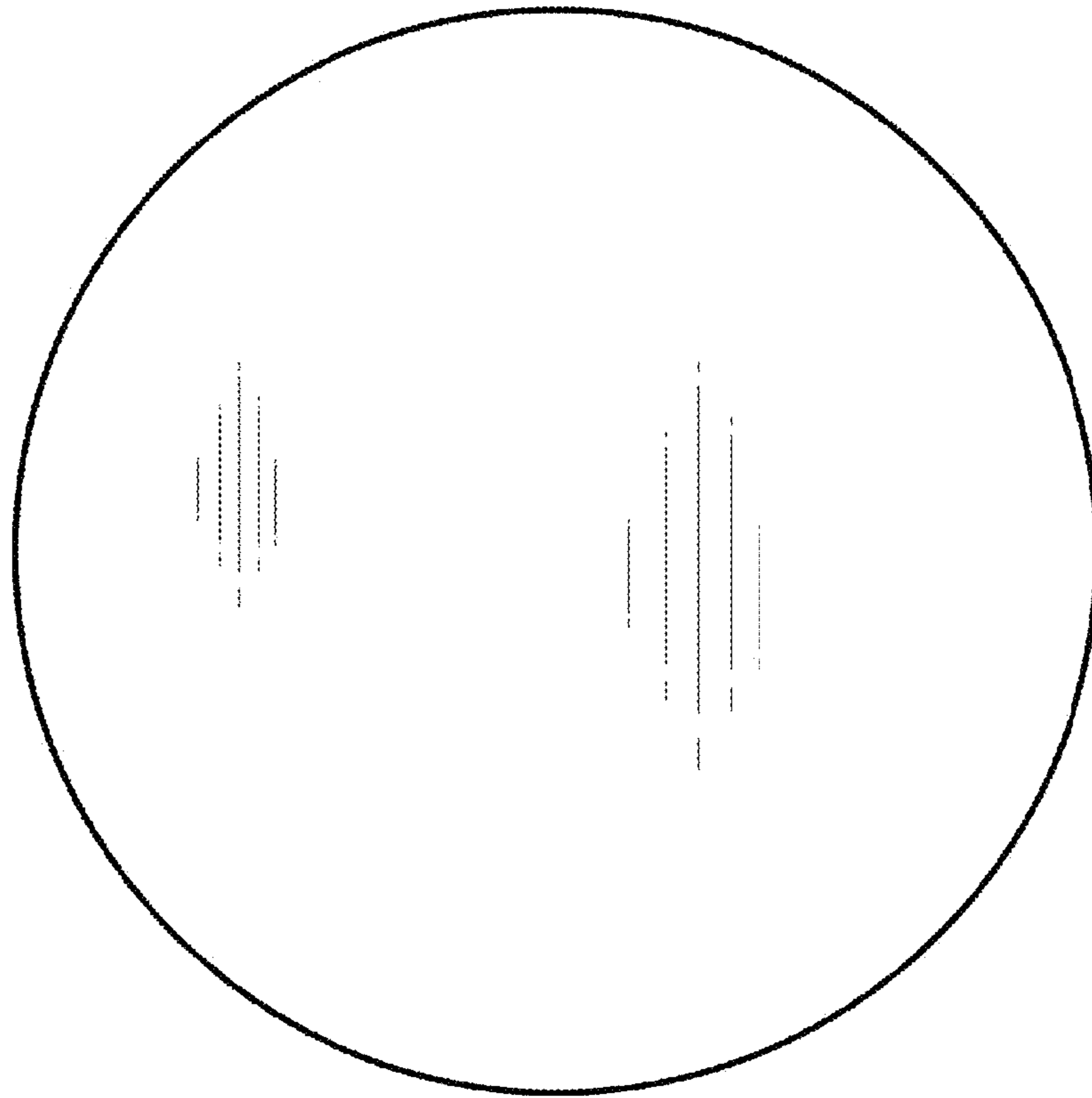


Fig. 15

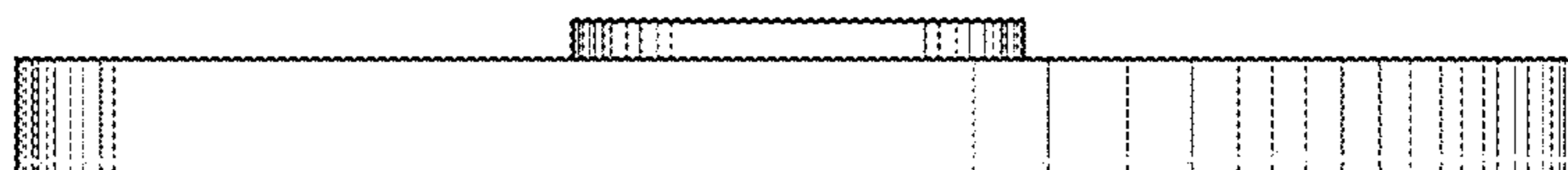
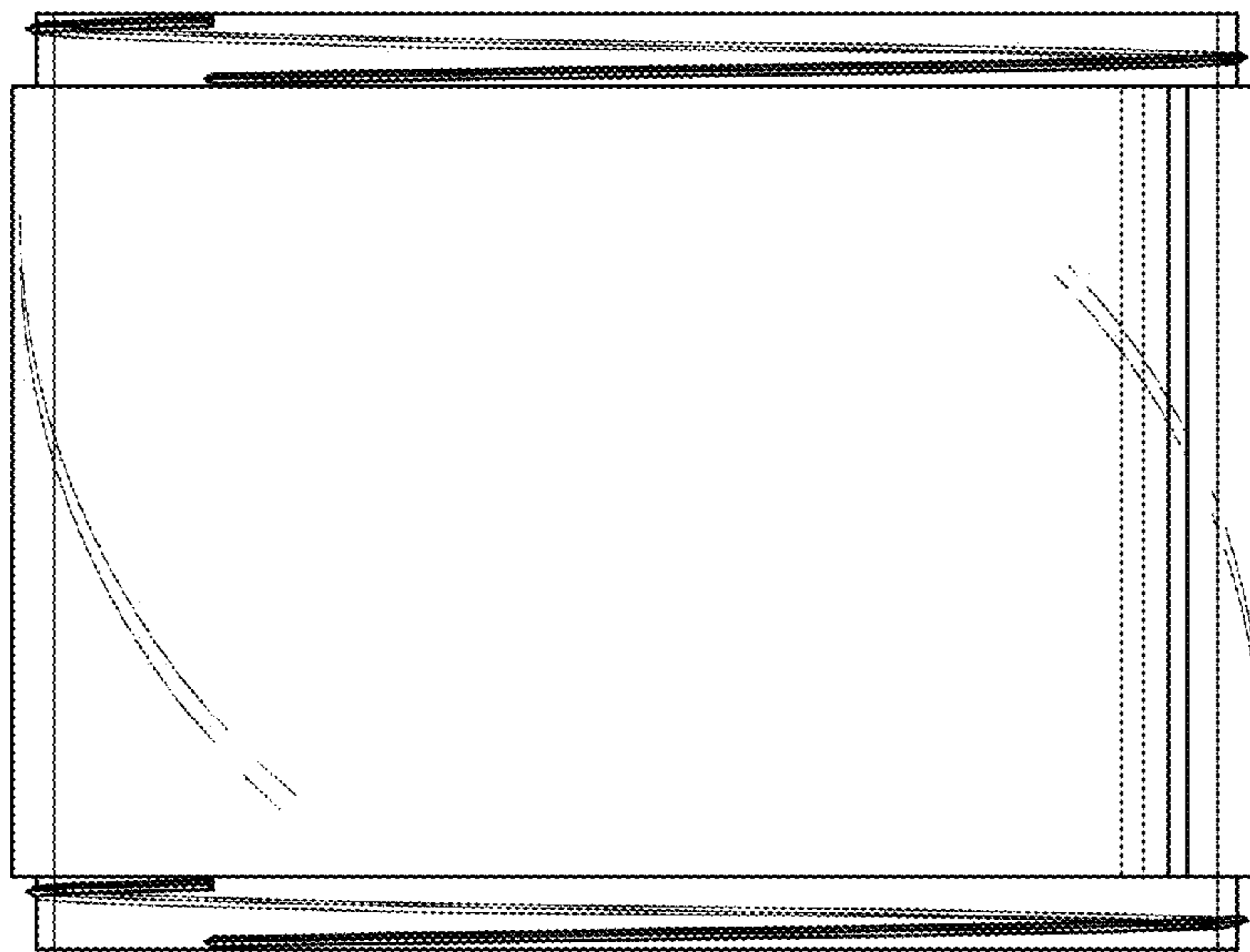


Fig. 16

