

US00D765388S

(12) **United States Design Patent** (10) **Patent No.:** **US D765,388 S**
Suess (45) **Date of Patent:** **** Sep. 6, 2016**

(54) **DIABETIC SUPPLIES ORGANIZER**

(71) Applicant: **Franz Peter Suess**, Wellington, FL (US)

(72) Inventor: **Franz Peter Suess**, Wellington, FL (US)

(**) Term: **14 Years**

(21) Appl. No.: **29/524,114**

(22) Filed: **Apr. 16, 2015**

(51) **LOC (10) Cl.** **03-01**

(52) **U.S. Cl.**
USPC **D3/203.3**

(58) **Field of Classification Search**
USPC D3/201, 203.1, 203.2, 203.3, 203.6, D3/203.7, 203.8; D24/128, 227; 206/570, 206/229, 565, 803
CPC A61F 17/00; A61C 5/06; A47F 7/02
See application file for complete search history.

(56) **References Cited**

U.S. PATENT DOCUMENTS

| | | | | | |
|-----------|-----|---------|-----------|-------|-------------------------|
| 1,520,444 | A * | 12/1924 | Romadka | | A61F 17/00 206/233 |
| 1,644,830 | A * | 10/1927 | Henderson | | A61F 17/00 206/232 |
| 2,013,281 | A * | 9/1935 | McCalla | | 206/38 |
| 2,740,516 | A * | 4/1956 | Renn | | A61M 5/003 206/229 |
| 3,058,584 | A * | 10/1962 | Marshall | | A61B 50/31 206/229 |
| 3,777,882 | A * | 12/1973 | McIntyre | | B65D 81/1075 206/370 |

| | | | | | |
|-----------|-----|---------|-----------|-------|-----------------------|
| D247,928 | S * | 5/1978 | Gleichert | | D3/203.8 |
| 4,429,793 | A * | 2/1984 | Ehmann | | A61M 5/003 206/366 |
| D325,126 | S * | 4/1992 | Costello | | D3/203.8 |
| D333,564 | S * | 3/1993 | Thompson | | D3/234 |
| D338,781 | S * | 8/1993 | Eitel | | D3/203.8 |
| D340,132 | S * | 10/1993 | Coyle | | D3/203.8 |
| D356,904 | S * | 4/1995 | Wolff | | D24/185 |
| 6,012,585 | A * | 1/2000 | Parker | | A47F 5/112 206/538 |
| D601,834 | S * | 10/2009 | Szych | | D3/203.1 |
| D613,875 | S * | 4/2010 | Mcdevitt | | D24/227 |
| D683,950 | S * | 6/2013 | Ernster | | D3/203.1 |

* cited by examiner

Primary Examiner — John Windmuller

Assistant Examiner — Steven Czyz

(74) *Attorney, Agent, or Firm* — Lott & Fischer, PL

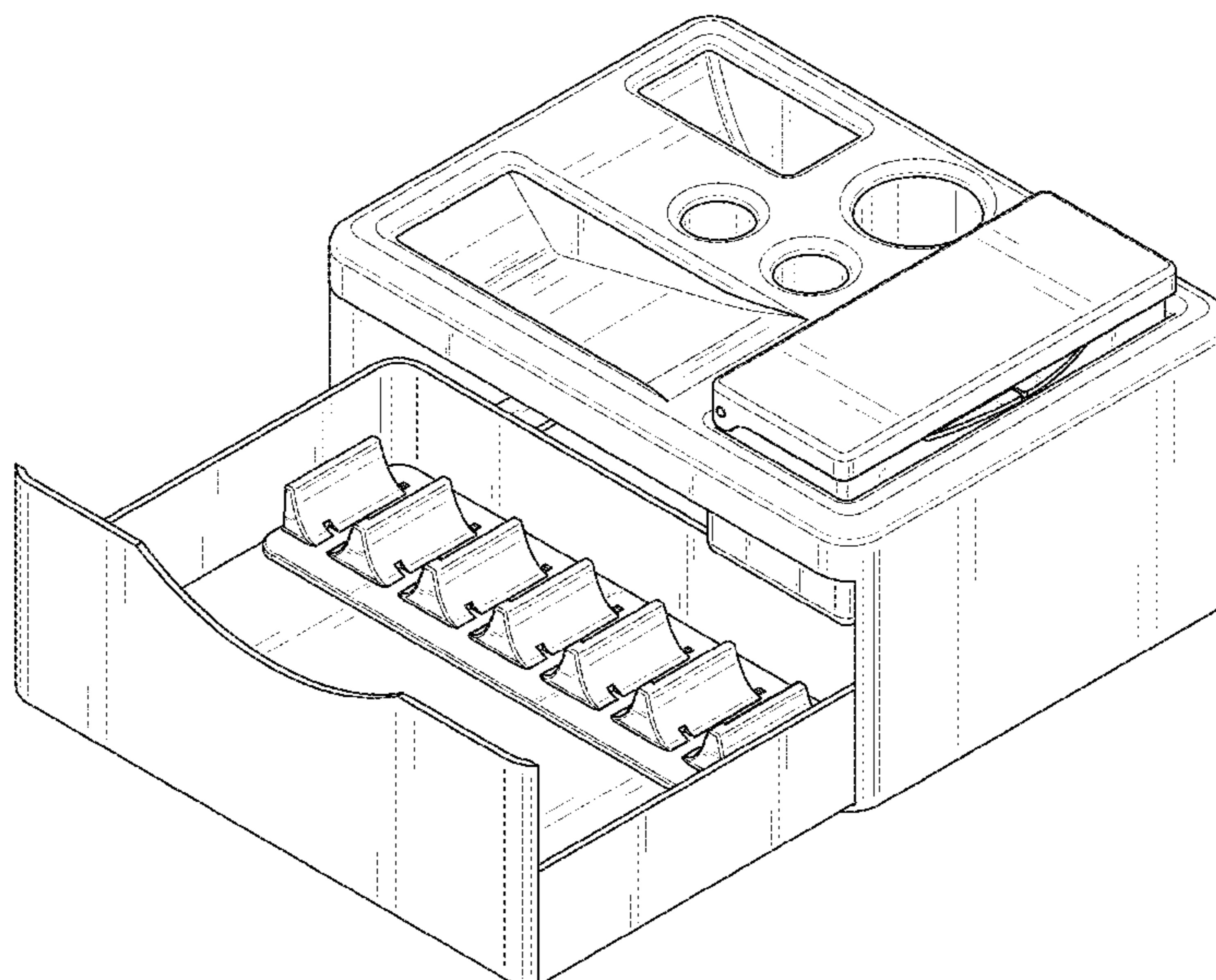
(57) **CLAIM**

The ornamental design for a diabetic supplies organizer, substantially as shown and described.

DESCRIPTION

FIG. 1 is a top right perspective view of my new design; FIG. 2 is a front elevation view of the design of FIG. 1; FIG. 3 is a rear elevation view of the design of FIG. 1; FIG. 4 is a left elevation view of the design of FIG. 1; FIG. 5 is a right elevation view of the design of FIG. 1; FIG. 6 is a top elevation view of the design of FIG. 1; FIG. 7 is a bottom elevation view of the design of FIG. 1; FIG. 8 is a rear left perspective view of the design of FIG. 1; and, FIG. 9 is a rear left perspective view of the design of FIG. 1 in which a removable lidded container has been removed.

1 Claim, 8 Drawing Sheets



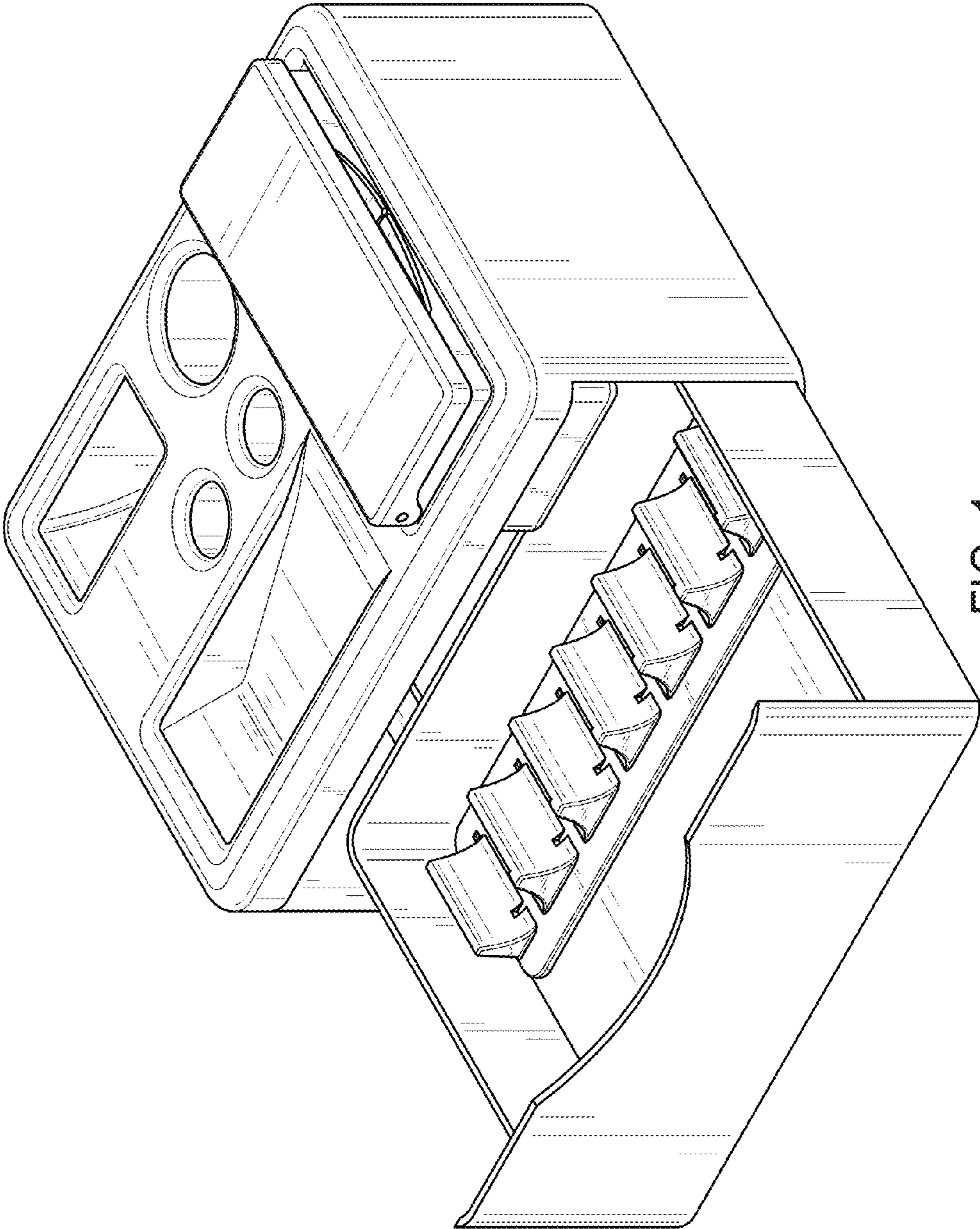


FIG. 1

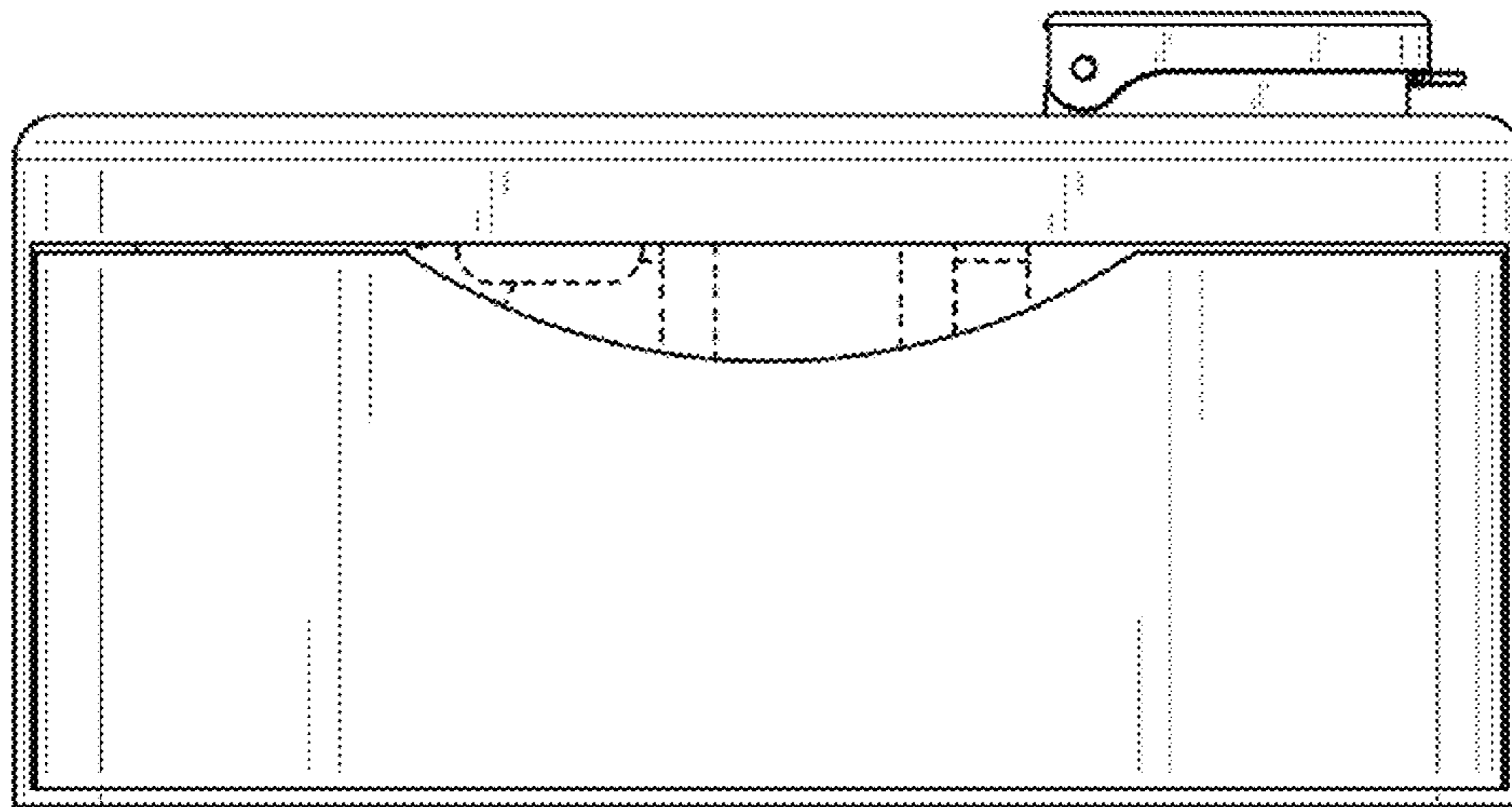


FIG. 2

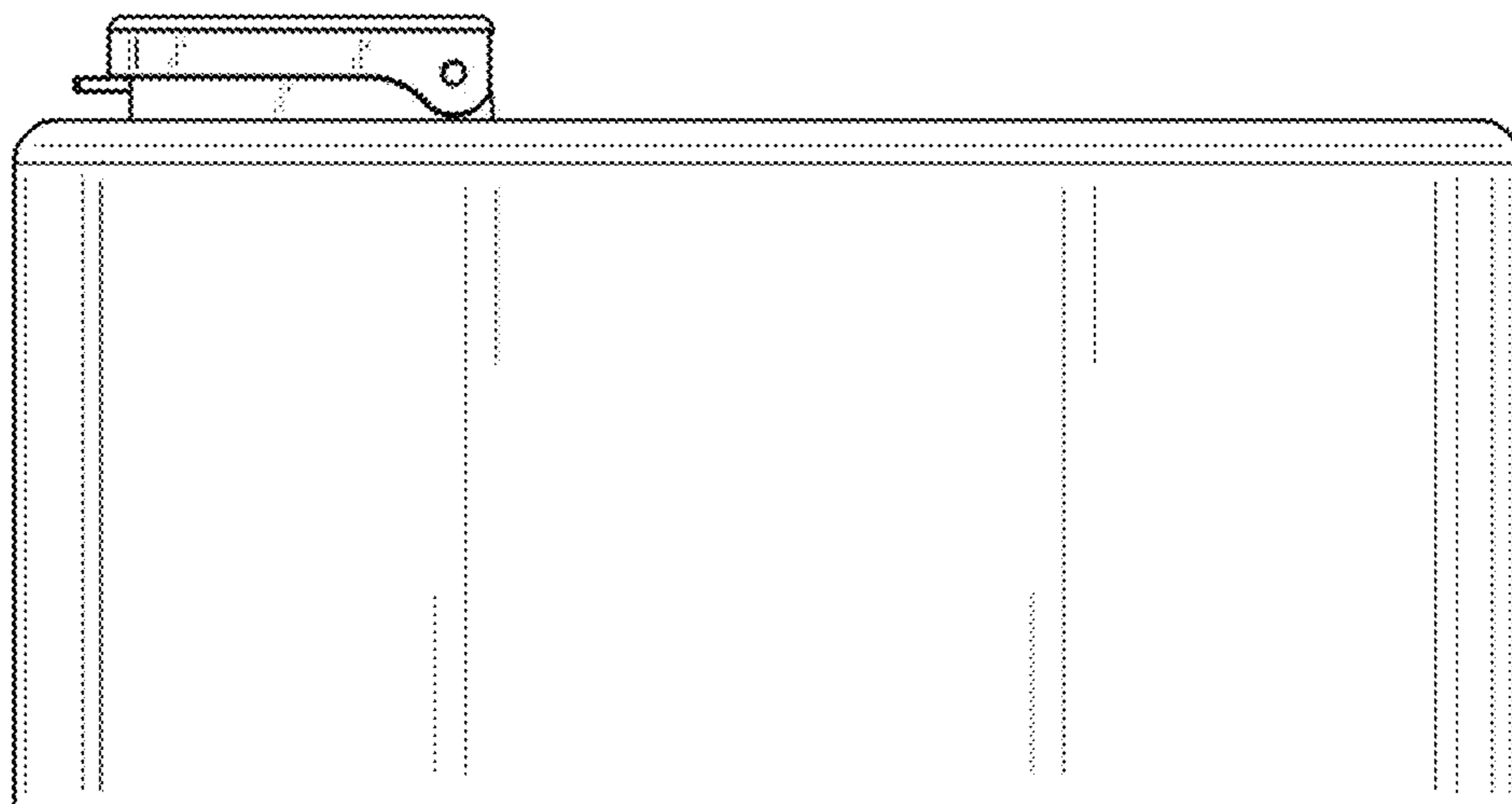


FIG. 3

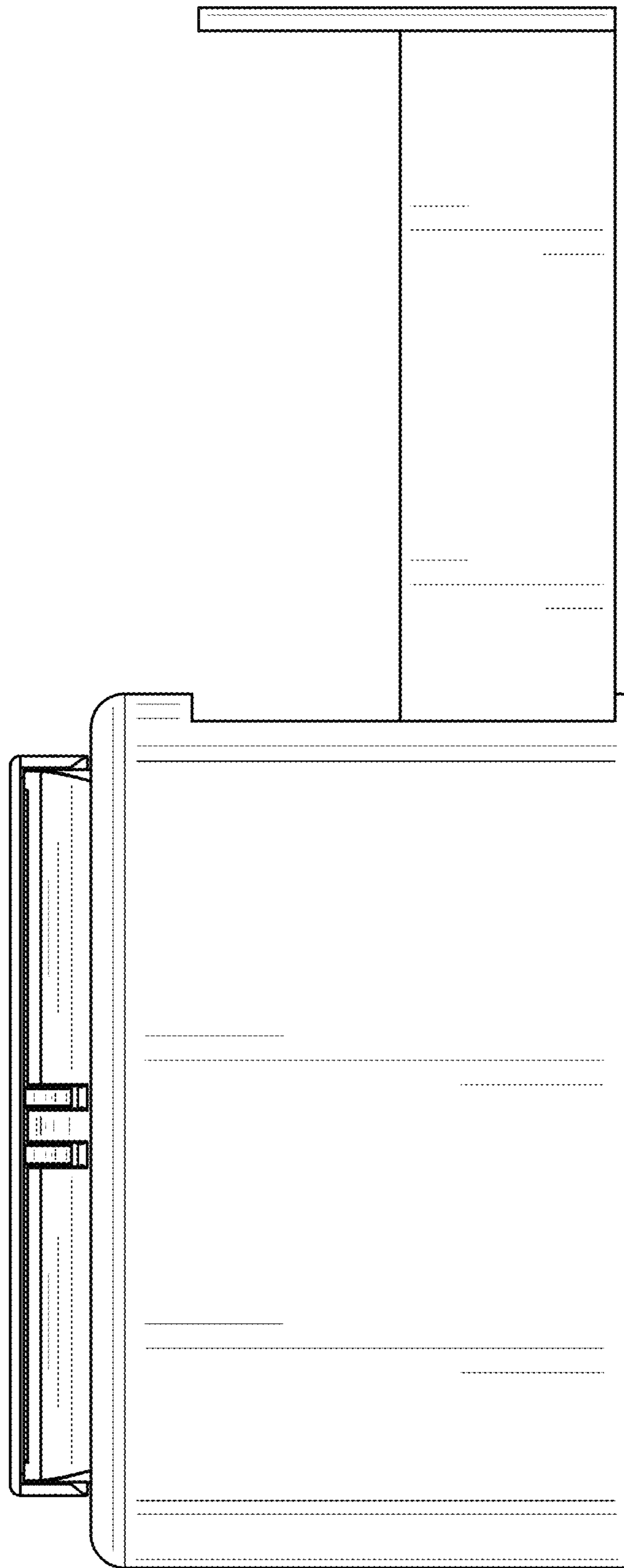


FIG. 4

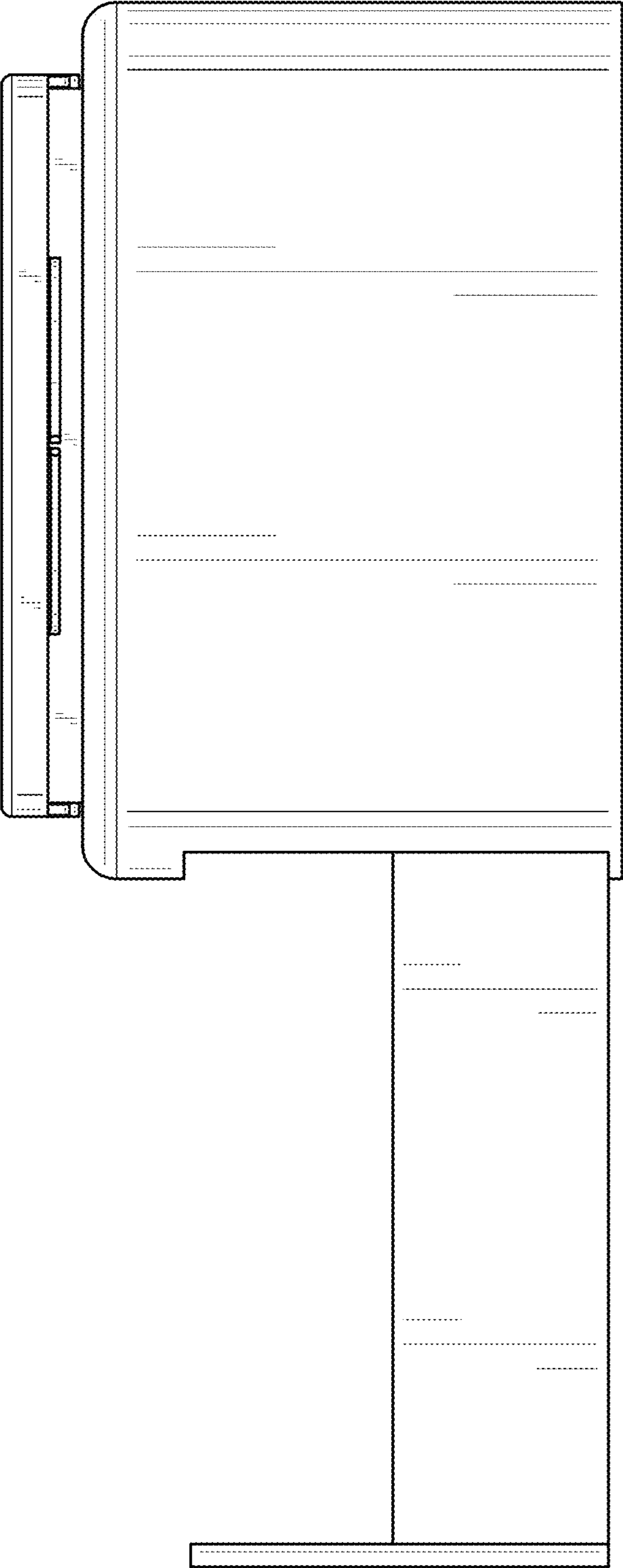


FIG. 5

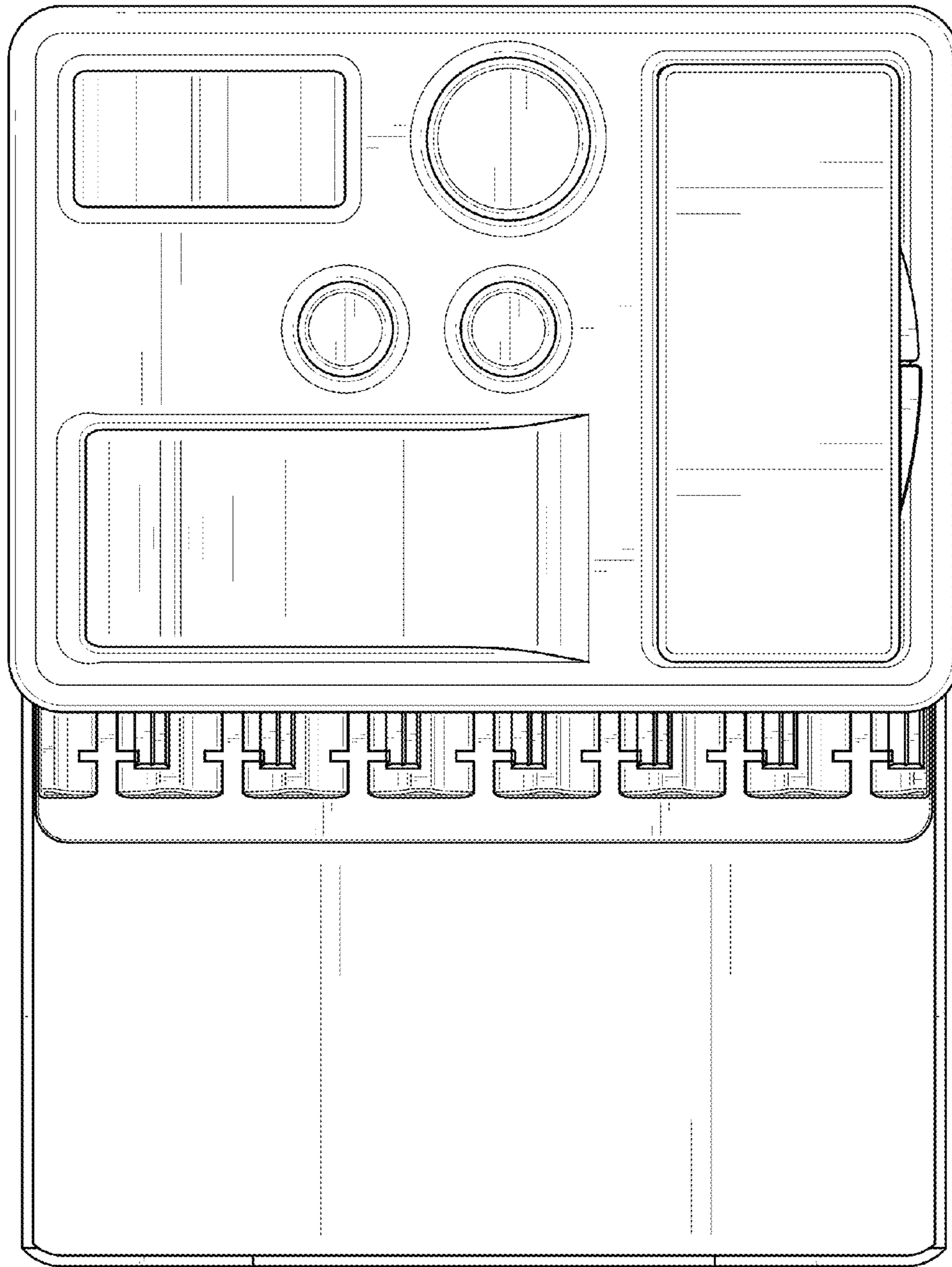


FIG. 6

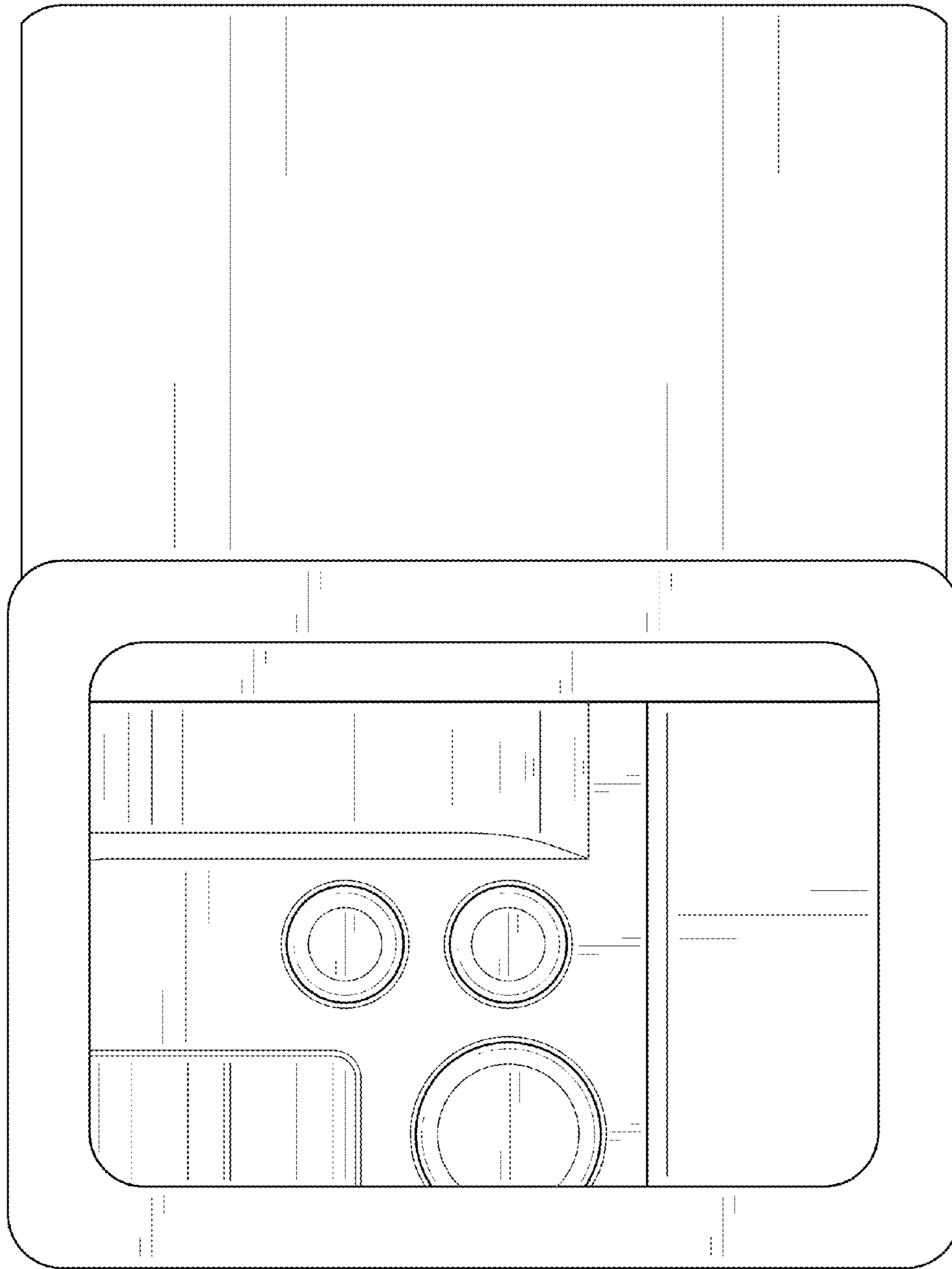


FIG. 7

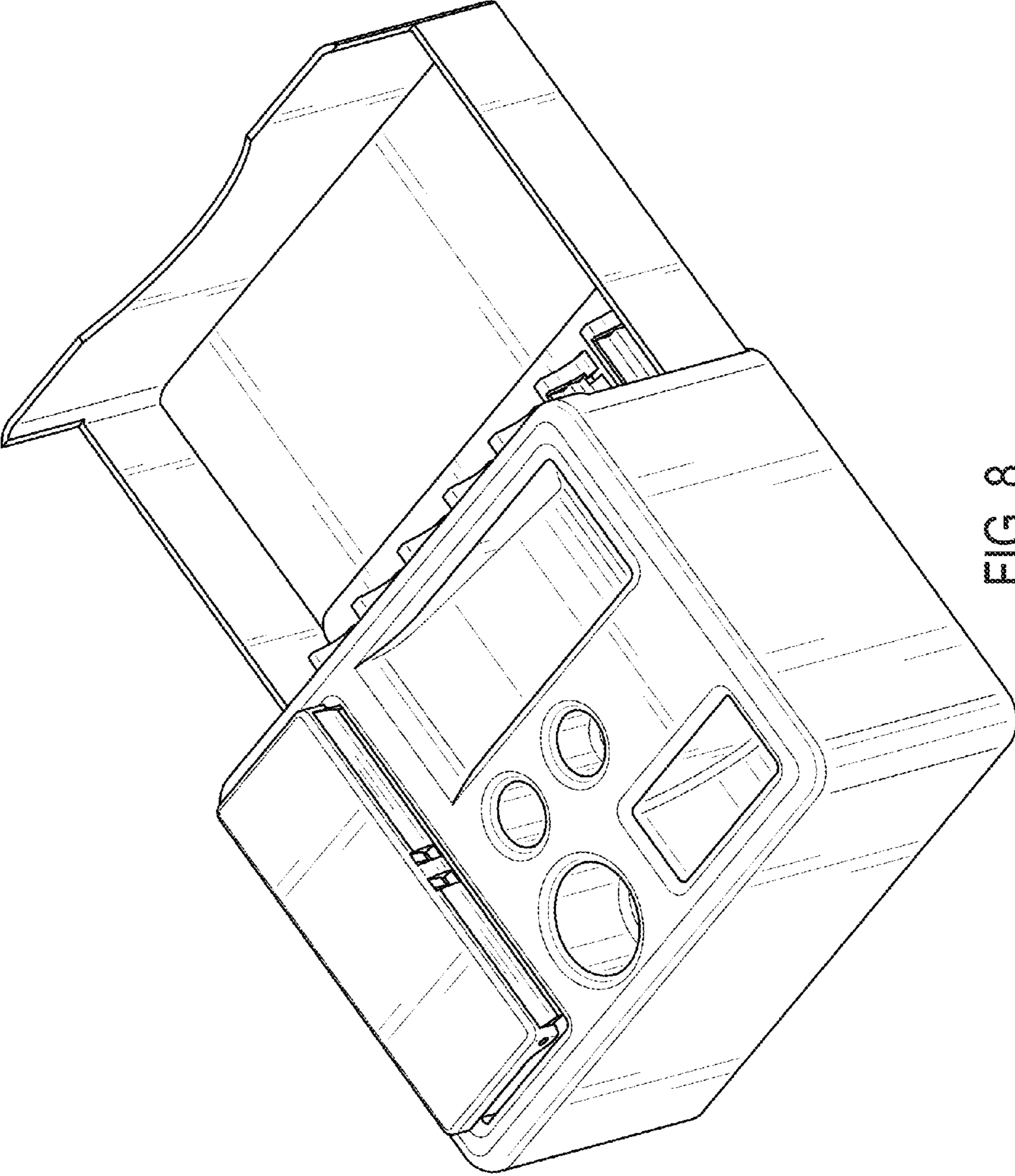


FIG. 8

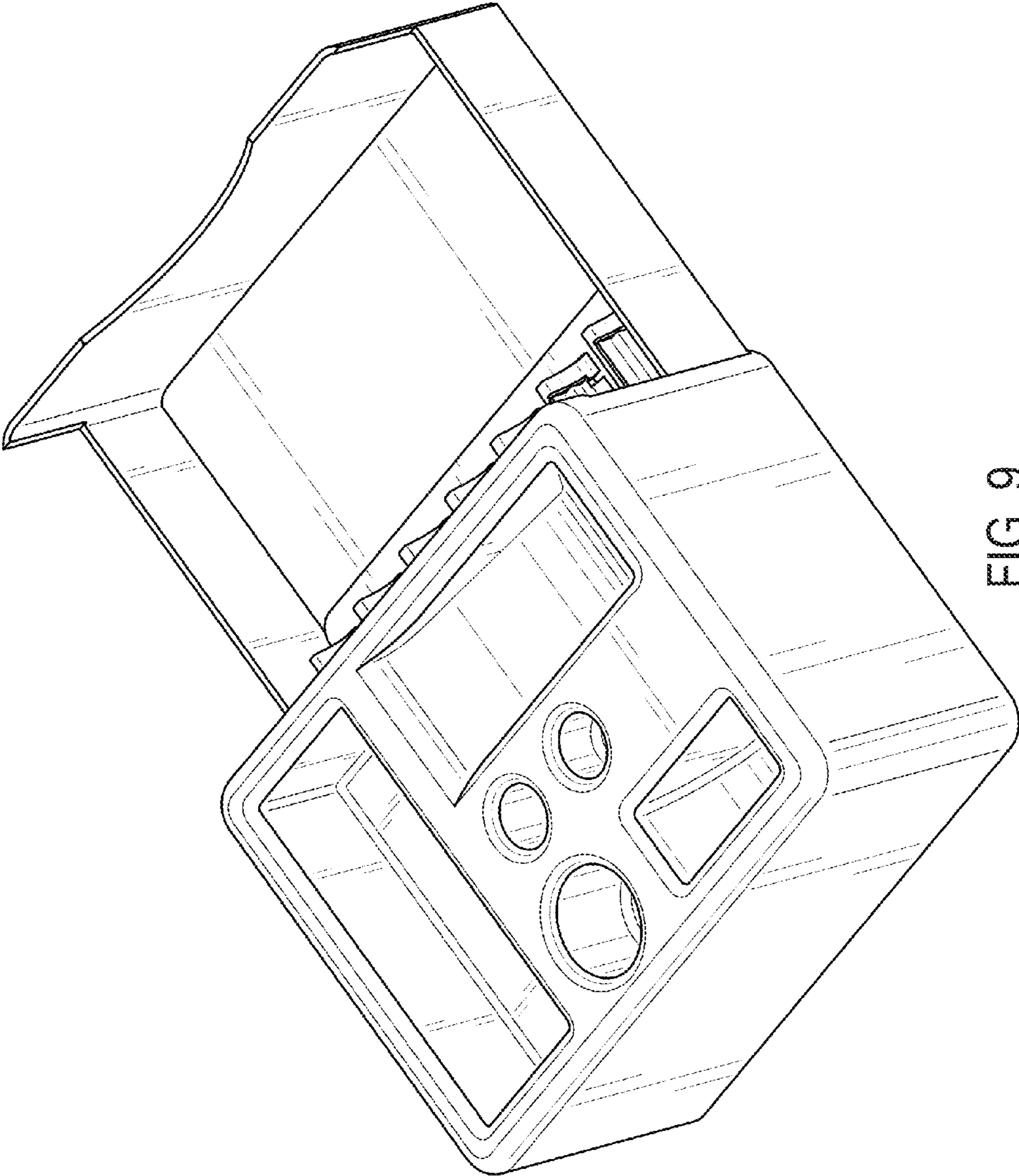


FIG. 9