



US00D765357S

(12) **United States Design Patent**  
**Zenoff**

(10) **Patent No.:** **US D765,357 S**  
(45) **Date of Patent:** **\*\* Sep. 6, 2016**

(54) **CAP WITH A FRONT PANEL ELECTRONIC DISPLAY SCREEN**

(71) Applicant: **Andrew Zenoff**, San Anselmo, CA (US)

(72) Inventor: **Andrew Zenoff**, San Anselmo, CA (US)

(73) Assignee: **BEAM AUTHENTIC, LLC**, San Anselmo, CA (US)

(\*\*) Term: **14 Years**

(21) Appl. No.: **29/500,381**

(22) Filed: **Aug. 25, 2014**

(51) **LOC (10) Cl.** ..... **02-03**

(52) **U.S. Cl.**  
USPC ..... **D2/882; D2/866**

(58) **Field of Classification Search**  
USPC ..... D2/865, 866, 869, 871, 872, 873, 875, D2/876, 879, 882, 884, 885, 887, 893, D2/895; D6/300; D11/75, 86, 132, 140; D14/125, 126, 300, 341, 371, 374, 448, D14/450, 507; D21/386; D26/39; D29/102, D29/103, 104, 122

CPC ..... A42B 1/00; A42B 1/002; A42B 1/004; A42B 1/006; A42B 1/008; A42B 1/04; A42B 1/06; A42B 1/062; A42B 1/18; A42B 1/206; A42B 1/22; A42B 1/225; A42B 1/24; A42B 1/242; A42B 1/244; A42B 1/245; A42B 1/248; A42C 5/00; G02B 27/017; G02B 27/0172; G02B 2027/0174; G02B 23/125; G09F 21/02; G09F 2021/023

See application file for complete search history.

(56) **References Cited**

**U.S. PATENT DOCUMENTS**

65,871 A 6/1867 Browne  
168,063 A 9/1875 Taylor  
175,399 A 3/1876 Wheldon et al.

176,714 A 4/1876 Vanhon  
260,332 A 6/1882 Simonson  
740,330 A 9/1903 Luther  
761,601 A 5/1904 Oscar  
D39,680 S 12/1908 Henby  
1,114,400 A 10/1914 Abraham  
1,190,427 A 7/1916 Kromer, Jr.  
1,196,823 A 9/1916 Tokutaro  
1,215,311 A 2/1917 Thomas  
1,222,528 A 4/1917 Leon  
1,378,977 A 5/1921 Parmley  
D58,303 S 7/1921 Kate

(Continued)

**FOREIGN PATENT DOCUMENTS**

CN 203327079 U 12/2013  
WO WO-2012061438 A2 5/2012  
WO WO-2014054211 A1 4/2014

**OTHER PUBLICATIONS**

U.S. Appl. No. 29/499,861, filed Aug. 19, 2014, Zenoff.  
(Continued)

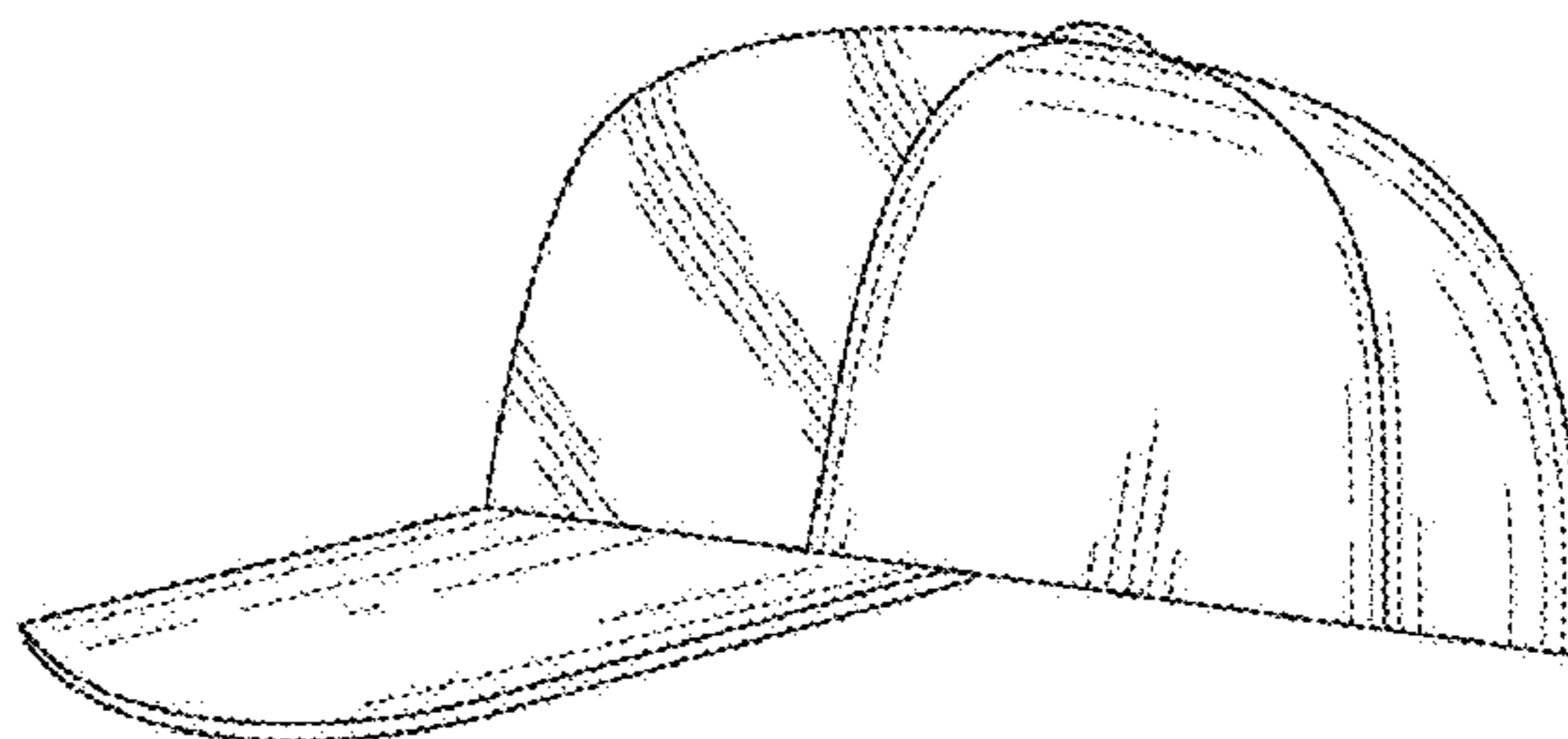
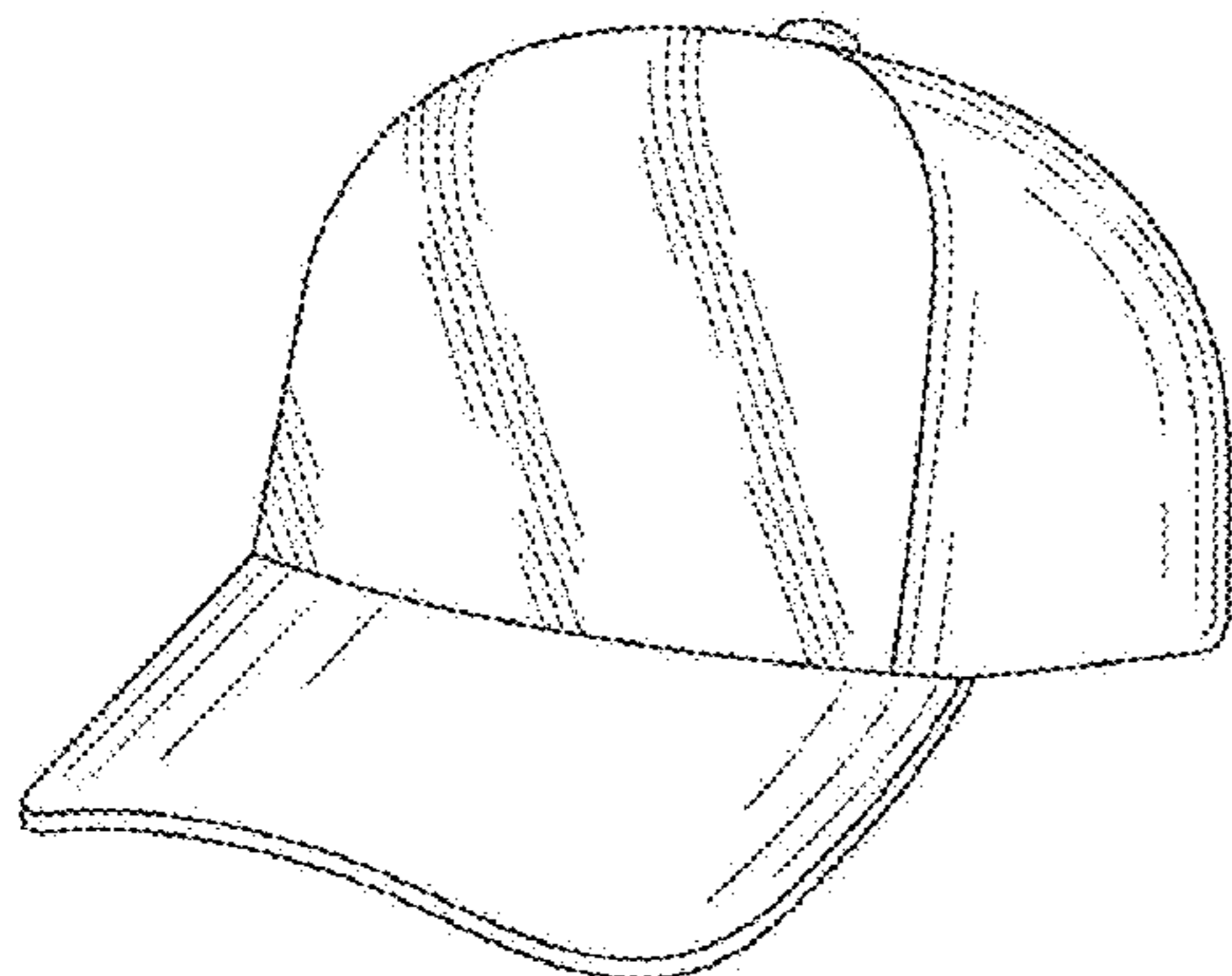
*Primary Examiner* — Karen E. Eldridge Powers  
*Assistant Examiner* — Jasmine Mlinarcik  
(74) *Attorney, Agent, or Firm* — Wilson Sonsini Goodrich & Rosati

(57) **CLAIM**  
The ornamental design for a cap with a front panel electronic display screen, as shown.

**DESCRIPTION**

FIG. 1 shows a perspective view of a cap with a front panel electronic display screen;  
FIG. 2 shows a front elevation view of the cap with a front panel electronic display screen;  
FIG. 3 shows a side elevation view of the cap with a front panel electronic display screen; and,  
FIG. 4 shows a top plan view of the cap with a front panel electronic display screen.

**1 Claim, 2 Drawing Sheets**



(56)

References Cited

U.S. PATENT DOCUMENTS

|           |   |           |                 |                        |           |    |           |                   |                       |
|-----------|---|-----------|-----------------|------------------------|-----------|----|-----------|-------------------|-----------------------|
| 1,427,891 | A | 9/1922    | Ziegler         |                        | D389,754  | S  | 1/1998    | Skubala           |                       |
| D62,863   | S | 8/1923    | Isaac           |                        | D391,741  | S  | 3/1998    | Baker             |                       |
| 1,481,975 | A | 1/1924    | Bender          |                        | D396,546  | S  | 8/1998    | Marrs             |                       |
| D64,441   | S | 4/1924    | Henry           |                        | D397,239  | S  | 8/1998    | Marrs             |                       |
| 1,502,160 | A | 7/1924    | Reinthal        |                        | 5,794,267 | A  | 8/1998    | Wallace           |                       |
| D66,331   | S | 12/1924   | Pegg            |                        | 5,823,328 | A  | 10/1998   | Fomby             |                       |
| 1,560,073 | A | 11/1925   | Bontempi et al. |                        | D401,086  | S  | 11/1998   | Hellwig           |                       |
| 1,566,663 | A | 12/1925   | Finkelstein     |                        | D401,738  | S  | 12/1998   | Scerbo            |                       |
| 1,582,812 | A | 4/1926    | Avin            |                        | D403,491  | S  | 1/1999    | Wyatt et al.      |                       |
| 1,586,242 | A | 5/1926    | Duthie          |                        | D405,239  | S  | 2/1999    | Kostinko          |                       |
| 1,606,798 | A | 11/1926   | Karger          |                        | D406,687  | S  | 3/1999    | Thorpe            |                       |
| 1,616,475 | A | 2/1927    | Tracey          |                        | D407,190  | S  | 3/1999    | Day               |                       |
| D73,128   | S | 7/1927    | Harris          |                        | 5,943,698 | A  | 8/1999    | Blanks, I         |                       |
| D79,398   | S | 9/1929    | Edward          |                        | 5,960,476 | A  | 10/1999   | Danzy             |                       |
| 1,782,414 | A | 11/1930   | Duer            |                        | D417,063  | S  | * 11/1999 | Henning           | D2/866                |
| 1,784,970 | A | 12/1930   | Melton          |                        | D418,279  | S  | 1/2000    | Day               |                       |
| D95,170   | S | 4/1935    | Baumgard        |                        | 6,012,172 | A  | 1/2000    | Steffy            |                       |
| 2,094,104 | A | 9/1937    | Lee et al.      |                        | 6,022,599 | A  | 2/2000    | Rietveld et al.   |                       |
| D115,046  | S | 5/1939    | Marks           |                        | D424,282  | S  | 5/2000    | Crumpton et al.   |                       |
| 2,226,133 | A | 12/1940   | Lee, Jr.        |                        | D427,751  | S  | 7/2000    | Richlin           |                       |
| 2,252,207 | A | 8/1941    | Rodgers         |                        | 6,154,992 | A  | 12/2000   | Lee               |                       |
| D130,393  | S | 11/1941   | Paul et al.     |                        | D436,991  | S  | 1/2001    | Morgante          |                       |
| 2,387,482 | A | 10/1945   | Vineberg        |                        | D438,374  | S  | 3/2001    | Hayman            |                       |
| 2,440,407 | A | 4/1948    | Kuenstner       |                        | D441,191  | S  | 5/2001    | Vazquez           |                       |
| 2,445,922 | A | 7/1948    | Ostolaza et al. |                        | D444,618  | S  | 7/2001    | Wilson            |                       |
| D162,354  | S | 3/1951    | Smith           |                        | D447,318  | S  | 9/2001    | Gath              |                       |
| 2,682,667 | A | 7/1954    | Michelstetter   |                        | 6,308,445 | B1 | 10/2001   | Porraro           |                       |
| 2,776,435 | A | 1/1957    | Trimpert        |                        | D452,767  | S  | 1/2002    | Balloni et al.    |                       |
| 2,839,860 | A | 6/1958    | Fry             |                        | D453,610  | S  | * 2/2002  | Lee               | D2/882                |
| D193,829  | S | 10/1962   | Van-Den-Berg    |                        | 6,370,696 | B1 | 4/2002    | Kronenberger      |                       |
| 3,346,153 | A | 10/1967   | Galasso         |                        | D459,059  | S  | 6/2002    | Park              |                       |
| 3,556,115 | A | 1/1971    | Ann             |                        | D459,094  | S  | 6/2002    | Stone et al.      |                       |
| D221,719  | S | 8/1971    | Hoskins         |                        | 6,408,443 | B1 | 6/2002    | Park              |                       |
| D231,356  | S | 4/1974    | Kurz            |                        | D460,604  | S  | 7/2002    | Sullivan, Jr.     |                       |
| 3,895,797 | A | 7/1975    | Moore           |                        | 6,470,499 | B1 | 10/2002   | Joiner            |                       |
| D251,336  | S | 3/1979    | Getgey          |                        | D470,450  | S  | 2/2003    | Olzak             |                       |
| D263,092  | S | 2/1982    | Fay             |                        | D472,695  | S  | 4/2003    | Lee               |                       |
| 4,529,278 | A | 7/1985    | Nugent          |                        | D473,039  | S  | 4/2003    | Erspamer          |                       |
| 4,535,478 | A | 8/1985    | Zuefle          |                        | 6,588,021 | B2 | * 7/2003  | Kronenberger      | A42B 1/062<br>2/175.2 |
| 4,611,355 | A | * 9/1986  | Galanto         | A42B 1/248<br>2/209.13 | D478,710  | S  | * 8/2003  | Yan               | D2/882                |
| 4,636,047 | A | 1/1987    | Green           |                        | D482,185  | S  | 11/2003   | Park              |                       |
| D292,044  | S | 9/1987    | Billiet         |                        | 6,643,847 | B1 | * 11/2003 | Dornak            | A42B 1/248<br>2/195.1 |
| 4,710,981 | A | 12/1987   | Sanchez         |                        | D483,173  | S  | 12/2003   | Harris et al.     |                       |
| 4,827,384 | A | 5/1989    | Von Schlemmer   |                        | D483,928  | S  | 12/2003   | Mansell et al.    |                       |
| 4,834,688 | A | 5/1989    | Jones           |                        | 6,672,748 | B2 | 1/2004    | Baldwin           |                       |
| 4,873,726 | A | 10/1989   | Tapia           |                        | D487,329  | S  | 3/2004    | Prinz             |                       |
| 4,924,613 | A | 5/1990    | Levin           |                        | 6,751,805 | B1 | 6/2004    | Austion           |                       |
| 5,054,127 | A | 10/1991   | Zevchak         |                        | D494,745  | S  | 8/2004    | Kronenberger      |                       |
| 5,070,545 | A | * 12/1991 | Tapia           | A42B 1/064<br>2/10     | D496,146  | S  | 9/2004    | Appleberry        |                       |
| 5,099,594 | A | 3/1992    | Reas et al.     |                        | D496,775  | S  | 10/2004   | Tanner            |                       |
| 5,102,129 | A | 4/1992    | Roberts         |                        | D497,648  | S  | 10/2004   | Carlson           |                       |
| 5,131,177 | A | 7/1992    | Sy, Jr.         |                        | 6,810,533 | B1 | 11/2004   | Nahabedian et al. |                       |
| 5,167,559 | A | 12/1992   | Power-Fardy     |                        | 6,820,281 | B2 | 11/2004   | Mariland et al.   |                       |
| D333,030  | S | 2/1993    | Wilkes          |                        | D502,589  | S  | 3/2005    | Lee               |                       |
| 5,253,368 | A | * 10/1993 | Blake           | A42B 1/248<br>2/195.1  | D509,947  | S  | 9/2005    | Fortune           |                       |
| 5,305,538 | A | 4/1994    | Kanzelberger    |                        | 6,948,189 | B2 | 9/2005    | Early             |                       |
| D350,221  | S | 9/1994    | Van Doren       |                        | D517,283  | S  | 3/2006    | Shin et al.       |                       |
| 5,359,733 | A | 11/1994   | Brannon et al.  |                        | D522,559  | S  | 6/2006    | Naito et al.      |                       |
| 5,437,062 | A | 8/1995    | Douglas         |                        | D523,612  | S  | 6/2006    | Steger            |                       |
| 5,452,479 | A | 9/1995    | Mostert         |                        | D539,012  | S  | 3/2007    | Evans             |                       |
| 5,454,120 | A | 10/1995   | Rowlands        |                        | D543,014  | S  | 5/2007    | Sharpe et al.     |                       |
| 5,462,471 | A | 10/1995   | Power-Fardy     |                        | D543,338  | S  | 5/2007    | Park              |                       |
| 5,465,426 | A | 11/1995   | Beaton          |                        | 7,219,374 | B2 | 5/2007    | Cho               |                       |
| 5,476,194 | A | 12/1995   | Hippely et al.  |                        | D548,657  | S  | 8/2007    | Eskandry          |                       |
| 5,477,629 | A | * 12/1995 | Gleason, Jr.    | A42B 1/064<br>2/DIG. 2 | D558,431  | S  | 1/2008    | Pritchett         |                       |
| D367,158  | S | 2/1996    | Baker           |                        | D558,955  | S  | 1/2008    | Taylor            |                       |
| D370,354  | S | 6/1996    | Deakyne         |                        | 7,331,064 | B1 | 2/2008    | Quintal           |                       |
| 5,548,847 | A | 8/1996    | Spicijaric      |                        | 7,424,751 | B1 | 9/2008    | Miller            |                       |
| 5,621,914 | A | 4/1997    | Ramone et al.   |                        | D577,879  | S  | 10/2008   | Jones             |                       |
| 5,632,044 | A | 5/1997    | Sloot           |                        | D580,184  | S  | 11/2008   | Svensen et al.    |                       |
| D383,892  | S | 9/1997    | Virzi           |                        | 7,490,364 | B2 | 2/2009    | Kim               |                       |
|           |   |           |                 |                        | D600,879  | S  | 9/2009    | Accardi           |                       |
|           |   |           |                 |                        | D603,144  | S  | 11/2009   | South             |                       |
|           |   |           |                 |                        | D603,585  | S  | 11/2009   | Capriola          |                       |
|           |   |           |                 |                        | 7,621,000 | B1 | 11/2009   | Fulton            |                       |
|           |   |           |                 |                        | D607,627  | S  | 1/2010    | Kowalczuk         |                       |
|           |   |           |                 |                        | D608,531  | S  | 1/2010    | Kronenberger      |                       |

(56)

References Cited

U.S. PATENT DOCUMENTS

D617,636 S 6/2010 Vanhoutte  
 D619,336 S 7/2010 Eyl  
 D619,789 S \* 7/2010 Barany ..... D2/882  
 D621,590 S 8/2010 Martin  
 D624,286 S 9/2010 Hall  
 D625,082 S 10/2010 Jones  
 D629,183 S \* 12/2010 Adams ..... D2/882  
 D630,822 S 1/2011 Thomas  
 D635,336 S 4/2011 Alger  
 D635,743 S \* 4/2011 Johnson ..... D2/882  
 D635,976 S 4/2011 Lee et al.  
 D636,562 S 4/2011 Lam et al.  
 7,974,432 B1 7/2011 Ryan  
 7,992,224 B2 8/2011 Tai  
 D647,286 S 10/2011 Malek  
 D649,040 S 11/2011 Sanders  
 D649,744 S 12/2011 Weinshanker  
 D654,251 S \* 2/2012 Alkas-Shamoun ..... D2/882  
 D655,601 S 3/2012 Daley et al.  
 D657,424 S 4/2012 Podd  
 D658,603 S 5/2012 Egawa et al.  
 D658,899 S 5/2012 Zadro  
 D659,351 S 5/2012 Benkendorfer  
 D660,554 S 5/2012 Blackshear  
 D661,061 S \* 6/2012 Eveleth ..... D2/882  
 D661,063 S 6/2012 Eveleth  
 D661,446 S 6/2012 Davis  
 D670,068 S 11/2012 Bomze  
 D670,892 S 11/2012 Epstein  
 D671,716 S 12/2012 Lam et al.  
 D672,294 S 12/2012 Thompson  
 8,364,220 B2 1/2013 Sandmore  
 D681,867 S 5/2013 Wegger et al.  
 8,453,265 B2 6/2013 Forte et al.  
 8,458,820 B2 6/2013 Cleva  
 D693,099 S 11/2013 Purdy  
 8,626,586 B1 1/2014 Biere et al.  
 D699,928 S 2/2014 Tien  
 D701,504 S 3/2014 Christopher et al.  
 8,677,515 B2 3/2014 Ishihara et al.  
 D702,928 S 4/2014 White  
 D703,069 S 4/2014 Adams et al.  
 D704,925 S 5/2014 Cho  
 D705,527 S 5/2014 Clark  
 D708,427 S \* 7/2014 Cho ..... D2/882  
 D709,675 S 7/2014 Cho  
 D710,220 S 8/2014 Daniel  
 D711,002 S 8/2014 Ohnemus et al.  
 D711,874 S 8/2014 Cope  
 D712,635 S 9/2014 Rivas  
 D713,622 S 9/2014 Steel  
 D714,031 S 9/2014 Javits, Jr.  
 D716,078 S 10/2014 Theisen et al.  
 8,869,312 B2 10/2014 Tuohy et al.  
 D716,528 S \* 11/2014 Badish ..... D2/882  
 D717,019 S 11/2014 van Dalen  
 D718,731 S 12/2014 Lee et al.  
 8,898,820 B2 12/2014 Sokolowski et al.  
 8,905,560 B1 12/2014 Zadro  
 D721,874 S 2/2015 Robbins et al.  
 8,950,012 B2 2/2015 Ilges et al.  
 D727,150 S 4/2015 Leitch et al.  
 D729,650 S 5/2015 Phillips et al.  
 D730,563 S 5/2015 Renshaw et al.  
 D733,130 S 6/2015 Kim et al.  
 D734,329 S 7/2015 Lee  
 D736,768 S 8/2015 Kuwabara et al.  
 D736,993 S 8/2015 Wang et al.  
 D738,071 S 9/2015 Kamhi et al.  
 D739,403 S 9/2015 David et al.  
 9,161,584 B1 \* 10/2015 Garrett, Jr. .... A42B 1/004  
 D743,149 S \* 11/2015 Brandelli ..... D2/882  
 D746,283 S 12/2015 Cha et al.  
 D748,091 S 1/2016 Akana et al.  
 D748,379 S \* 2/2016 Fitzpatrick ..... D2/882

D751,794 S 3/2016 Zenoff  
 D751,795 S 3/2016 Zenoff  
 D751,796 S \* 3/2016 Gewirz ..... D2/891  
 D754,422 S 4/2016 Andrew  
 2001/0034894 A1 11/2001 Godfrey et al.  
 2003/0073412 A1 4/2003 Meade et al.  
 2003/0221234 A1 12/2003 Wang  
 2004/0221368 A1 11/2004 Okot  
 2005/0132470 A1 6/2005 Wong  
 2006/0112707 A1 6/2006 Tu  
 2006/0117458 A1 6/2006 Ishihara et al.  
 2006/0206985 A1 9/2006 Proctor  
 2006/0209218 A1 9/2006 Lee et al.  
 2006/0249404 A1 11/2006 Adams  
 2007/0056078 A1 3/2007 Tseng  
 2007/0143906 A1 \* 6/2007 Renteria ..... A42B 1/064  
 2/195.1  
 2007/0182664 A1 8/2007 Himmele  
 2007/0247312 A1 10/2007 Sekine  
 2007/0256213 A1 \* 11/2007 Dunavin ..... A42B 1/069  
 2/171  
 2008/0000013 A1 1/2008 Talley  
 2009/0084009 A1 4/2009 Vandergriff et al.  
 2009/0251888 A1 10/2009 Douglas  
 2009/0306485 A1 12/2009 Bell  
 2009/0310290 A1 12/2009 Tennent  
 2010/0058514 A1 3/2010 Koh  
 2010/0095573 A1 4/2010 Lifshitz  
 2010/0100004 A1 4/2010 van Someren  
 2010/0131613 A1 5/2010 Jonsson et al.  
 2010/0299979 A1 12/2010 Lamere  
 2010/0306808 A1 12/2010 Neumeier et al.  
 2010/0313334 A1 12/2010 Moy  
 2011/0041238 A1 2/2011 Brzoska  
 2011/0088715 A1 4/2011 Lee et al.  
 2011/0094016 A1 4/2011 Paulson  
 2011/0187681 A1 8/2011 Kim et al.  
 2011/0246908 A1 10/2011 Akram et al.  
 2011/0295749 A1 12/2011 Scalisi  
 2012/0005809 A1 1/2012 Johnson  
 2012/0089437 A1 4/2012 Amento et al.  
 2012/0163269 A1 6/2012 Shuster et al.  
 2012/0198600 A1 8/2012 Niazi  
 2012/0210616 A1 8/2012 Laraque  
 2012/0256902 A1 10/2012 Tam et al.  
 2012/0264492 A1 10/2012 Stewart  
 2012/0324076 A1 12/2012 Zerr et al.  
 2013/0188322 A1 7/2013 Lowe et al.  
 2013/0222270 A1 8/2013 Winkler et al.  
 2013/0333095 A1 12/2013 Dudick  
 2014/0053316 A1 2/2014 Su  
 2014/0098009 A1 4/2014 Prest et al.  
 2014/0111323 A1 4/2014 Strout et al.  
 2014/0121539 A1 5/2014 Chatterjee et al.  
 2014/0160055 A1 6/2014 Margolis et al.  
 2014/0173807 A1 6/2014 Waters  
 2014/0176417 A1 6/2014 Young et al.  
 2015/0033445 A1 2/2015 Warner et al.  
 2015/0096104 A1 4/2015 Kim  
 2015/0146903 A1 5/2015 Mariasov  
 2015/0164166 A1 6/2015 Tsai  
 2015/0250245 A1 9/2015 Waters  
 2015/0312975 A1 10/2015 Tischler et al.  
 2016/0019821 A1 1/2016 Haddad

OTHER PUBLICATIONS

U.S. Appl. No. 29/499,864, filed Aug. 19, 2014, Zenoff.  
 U.S. Appl. No. 29/499,867, filed Aug. 19, 2014, Zenoff.  
 U.S. Appl. No. 29/499,866, filed Aug. 19, 2014, Zenoff.  
 U.S. Appl. No. 29/500,139, filed Aug. 21, 2014, Zenoff.  
 U.S. Appl. No. 29/500,384, filed Aug. 25, 2014, Zenoff.  
 U.S. Appl. No. 29/500,387, filed Aug. 25, 2014, Zenoff.  
 U.S. Appl. No. 29/500,391, filed Aug. 25, 2014, Zenoff.  
 U.S. Appl. No. 29/500,393, filed Aug. 25, 2014, Zenoff.  
 U.S. Appl. No. 29/500,399, filed Aug. 25, 2014, Zenoff.  
 U.S. Appl. No. 29/500,405, filed Aug. 25, 2014, Zenoff.  
 U.S. Appl. No. 29/500,407, filed Aug. 25, 2014, Zenoff.

(56)

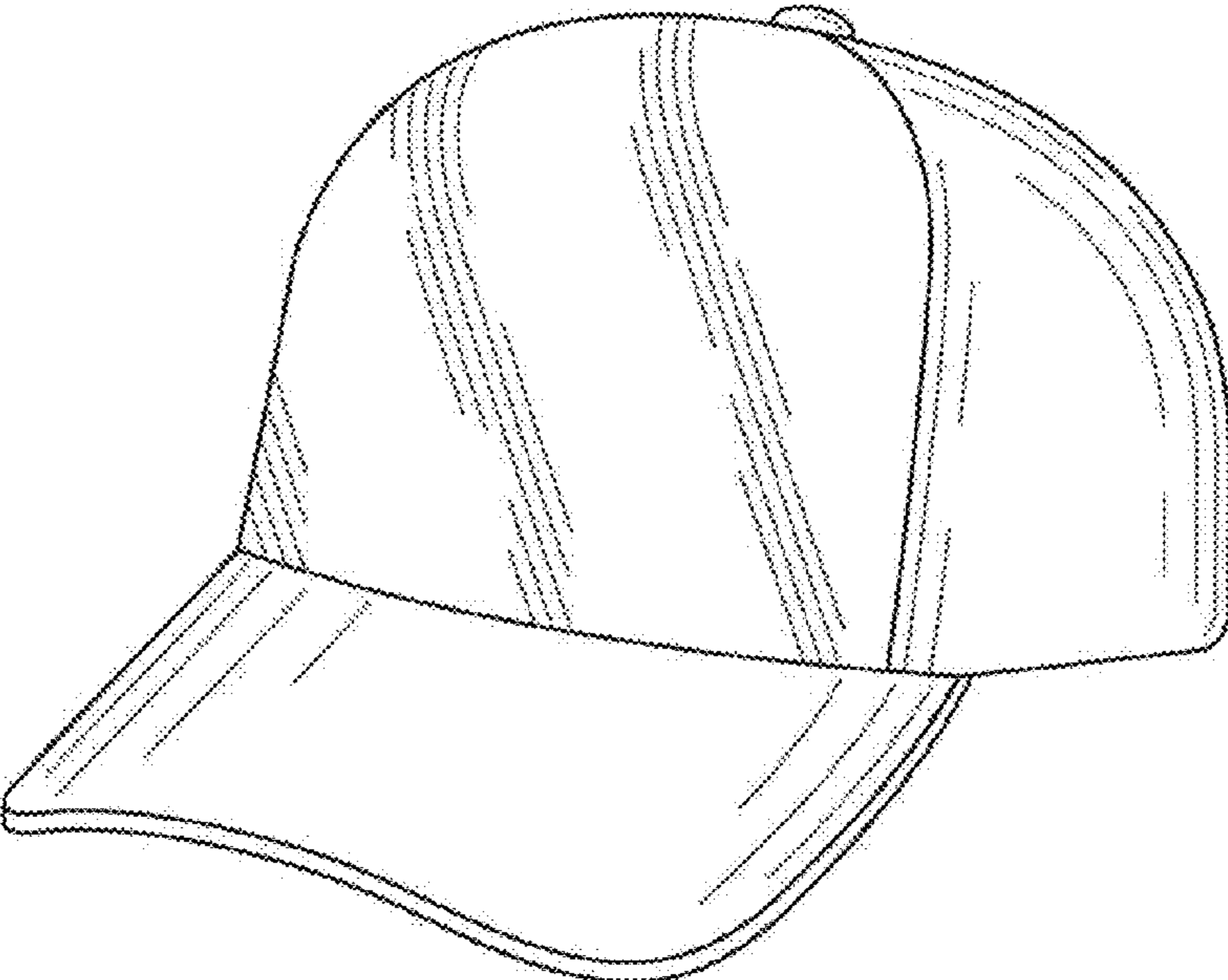
**References Cited**

## OTHER PUBLICATIONS

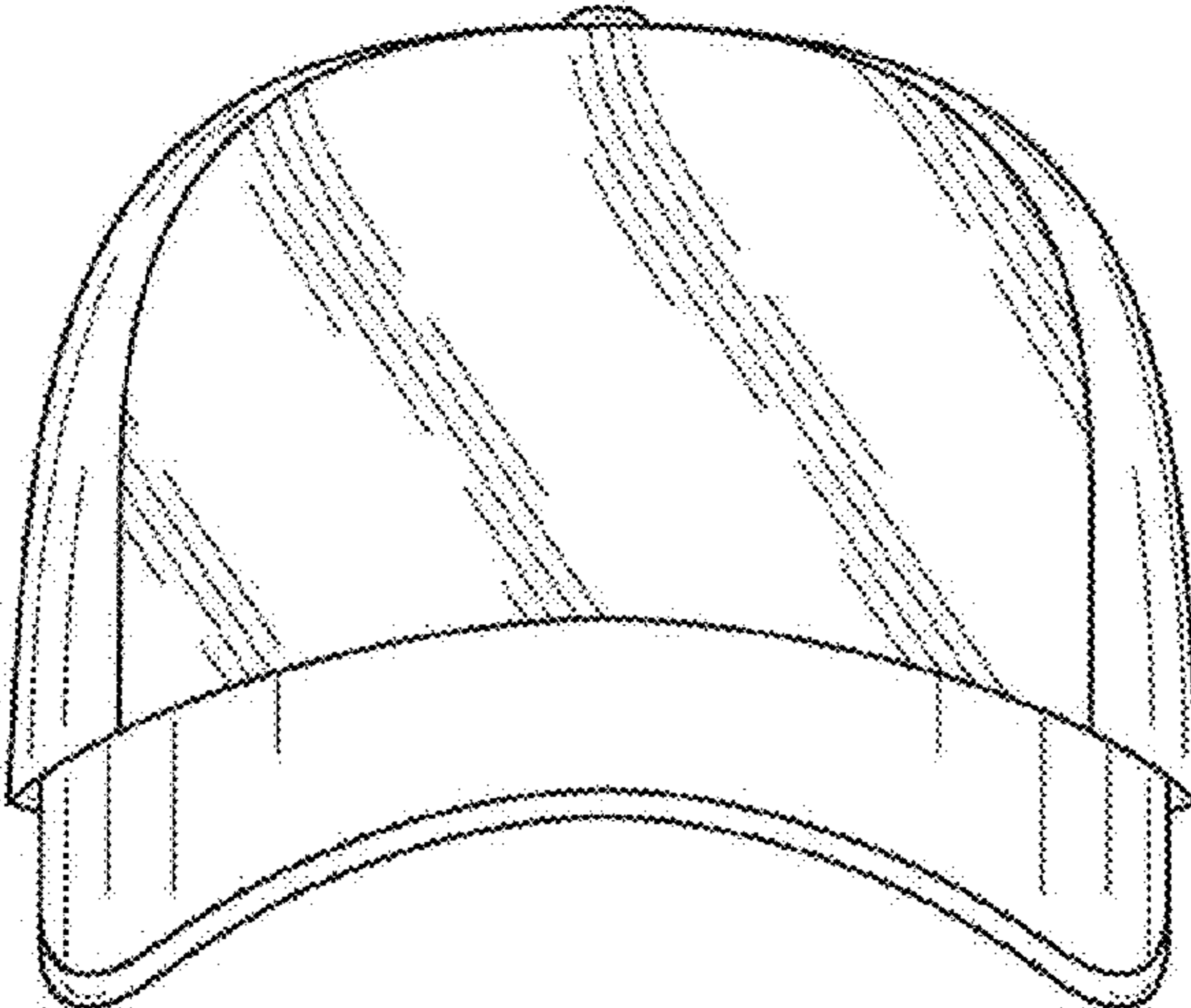
U.S. Appl. No. 29/500,408, filed Aug. 25, 2014, Zenoff.  
 U.S. Appl. No. 29/500,504, filed Aug. 26, 2014, Zenoff.  
 U.S. Appl. No. 29/500,506, filed Aug. 26, 2014, Zenoff.  
 U.S. Appl. No. 29/500,509, filed Aug. 26, 2014, Zenoff.  
 U.S. Appl. No. 29/500,512, filed Aug. 26, 2014, Zenoff.  
 U.S. Appl. No. 29/500,514, filed Aug. 26, 2014, Zenoff.  
 U.S. Appl. No. 29/500,546, filed Aug. 26, 2014, Zenoff.  
 U.S. Appl. No. 29/500,551, filed Aug. 26, 2014, Zenoff.  
 U.S. Appl. No. 29/500,553, filed Aug. 26, 2014, Zenoff.  
 U.S. Appl. No. 29/500,555, filed Aug. 26, 2014, Zenoff.  
 U.S. Appl. No. 29/500,557, filed Aug. 26, 2014, Zenoff.  
 U.S. Appl. No. 29/500,558, filed Aug. 26, 2014, Zenoff.  
 U.S. Appl. No. 29/500,562, filed Aug. 26, 2014, Zenoff.  
 U.S. Appl. No. 29/500,564, filed Aug. 26, 2014, Zenoff.  
 alibaba.com. Mobile billboard advertising led truck new technology product in china mobile truck led tv screen. Available at [http://www.alibaba.com/product-detail/mobile-billboard-advertising-led-truck-new\\_60181386676.html](http://www.alibaba.com/product-detail/mobile-billboard-advertising-led-truck-new_60181386676.html). Accessed on Jul. 24, 2015.  
 webbozz.com. Stylish Circular Display Smart Watch—Motorola Moto 360. Feb. 2013. Available at <http://www.webbozz.com/stylish-circular-display-smart-watch-motorola-moto-360>. Accessed on Jul. 23, 2015.  
 Ex parte Quayle Office action dated Dec. 3, 2015 for U.S. Appl. No. 29/500,562 of inventor Andrew Zenoff.  
 Notice of allowance dated Nov. 6, 2015 for U.S. Appl. No. 29/500,393 of inventor Andrew Zenoff.  
 Notice of allowance dated Nov. 6, 2015 for U.S. Appl. No. 29/500,399 of inventor Andrew Zenoff.  
 Notice of allowance dated Nov. 24, 2015 for U.S. Appl. No. 29/499,866 of inventor Andrew Zenoff.  
 Office action dated Oct. 7, 2015 for U.S. Appl. No. 29/500,564 of inventor Andrew Zenoff.  
 Office action dated Oct. 8, 2015 for U.S. Appl. No. 29/500,405 of inventor Andrew Zenoff.

Office action dated Oct. 28, 2015 for U.S. Appl. No. 29/500,514 of inventor Andrew Zenoff.  
 Office action dated Nov. 5, 2015 for U.S. Appl. No. 29/500,407 of inventor Andrew Zenoff.  
 Office action dated Nov. 9, 2015 for U.S. Appl. No. 29/500,408 of inventor Andrew Zenoff.  
 Office action dated Nov. 12, 2015 for U.S. Appl. No. 29/499,864 of inventor Andrew Zenoff.  
 Office action dated Nov. 16, 2015 for U.S. Appl. No. 29/499,867 of inventor Andrew Zenoff.  
 Office action dated Nov. 19, 2015 for U.S. Appl. No. 29/499,861 of inventor Andrew Zenoff.  
 Office action dated Nov. 23, 2015 for U.S. Appl. No. 29/500,557 of inventor Andrew Zenoff.  
 Office action dated Nov. 24, 2015 for U.S. Appl. No. 29/500,139 of inventor Andrew Zenoff.  
 Notice of allowance dated Mar. 3, 2016 for U.S. Appl. No. 29/500,555 of inventor Andrew Zenoff.  
 ij.M.1 Notice of allowance dated Apr. 25, 2016 for U.S. Appl. No. 29/500,384 of inventor Andrew Zenoff.  
 Notice of allowance dated Apr. 27, 2016 for U.S. Appl. No. 29/500,387 of inventor Andrew Zenoff.  
 Notice of allowance dated Apr. 27, 2016 for U.S. Appl. No. 29/500,391 of inventor Andrew Zenoff.  
 Notice of allowance dated Apr. 27, 2016 for U.S. Appl. No. 29/500,509 of inventor Andrew Zenoff.  
 Office action dated Feb. 19, 2016 for U.S. Appl. No. 29/500,512 of inventor Andrew Zenoff.  
 Office action dated Feb. 22, 2016 for U.S. Appl. No. 29/500,558 of inventor Andrew Zenoff.  
 Office action dated Mar. 14, 2016 for U.S. Appl. No. 29/500,546 of inventor Andrew Zenoff.  
 Office action dated Apr. 20, 2016 for U.S. Appl. No. 29/500,564 of inventor Andrew Zenoff.

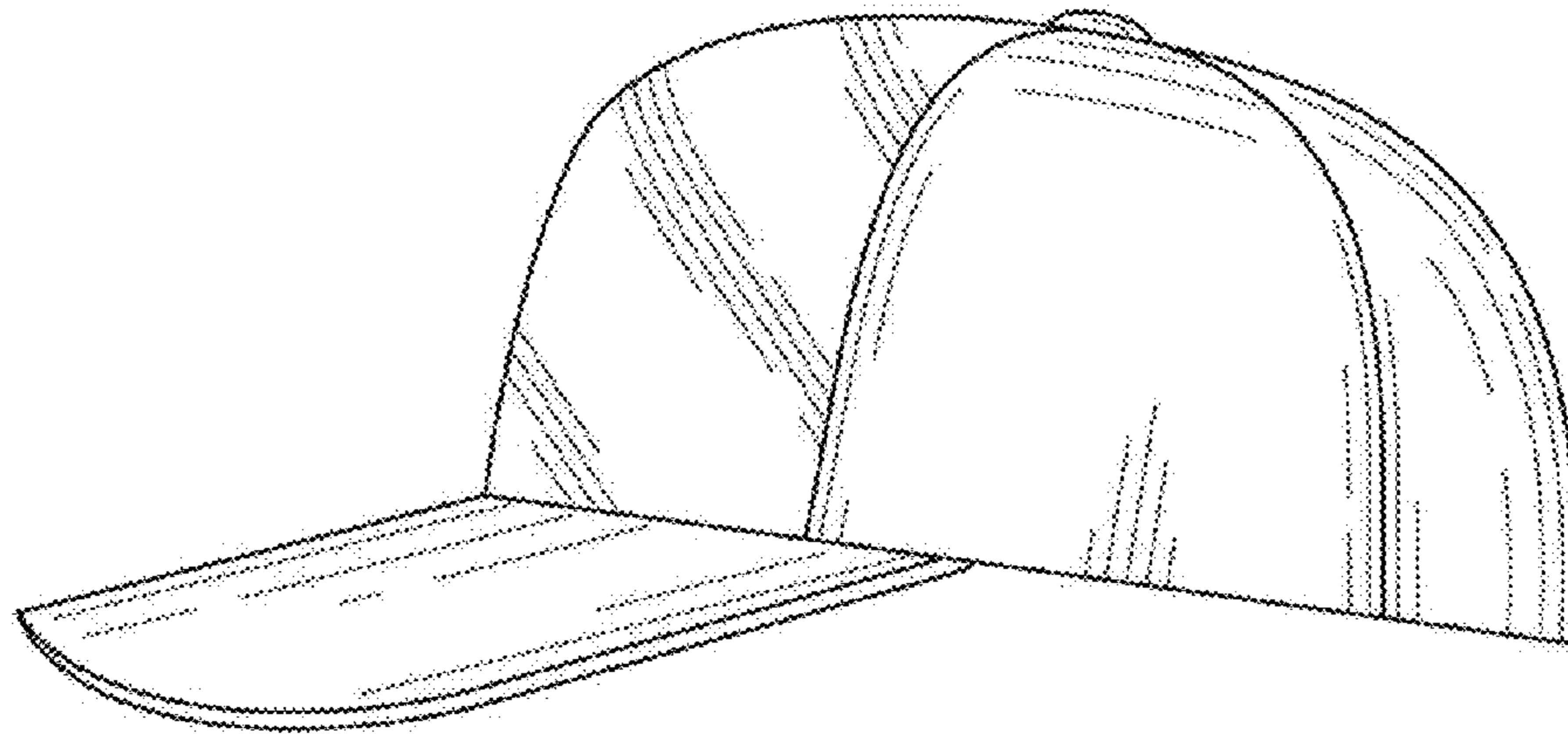
\* cited by examiner



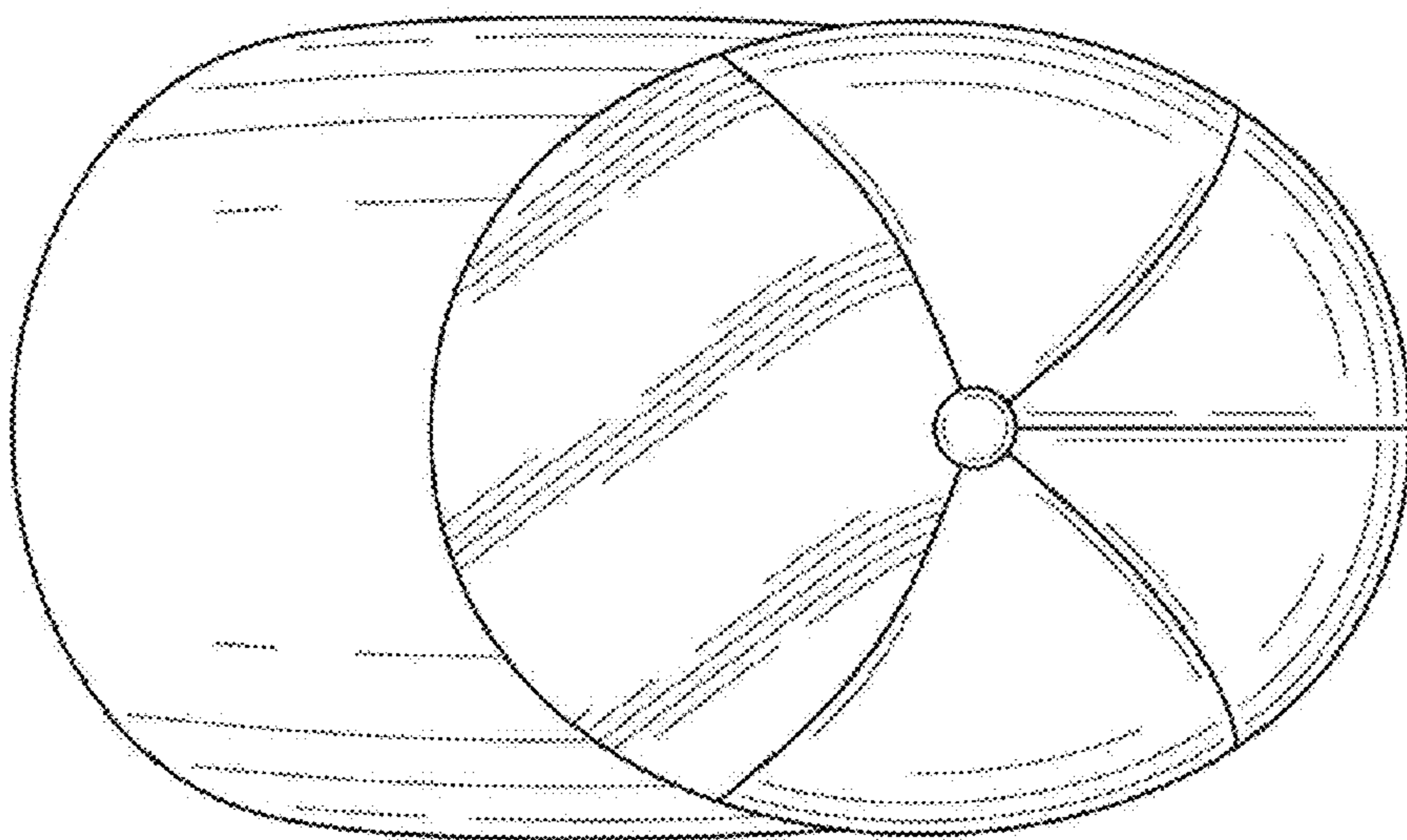
**FIG. 1**



**FIG. 2**



**FIG. 3**



**FIG. 4**