

US00D765351S

(12) **United States Design Patent** (10) **Patent No.:** **US D765,351 S**
Shaw (45) **Date of Patent:** **** Sep. 6, 2016**

(54) **SWEATER**
(71) Applicant: **Weldarmor Inc.**, Leduc (CA)
(72) Inventor: **Charles Shaw**, Edmonton (CA)
(**) Term: **14 Years**
(21) Appl. No.: **29/456,066**
(22) Filed: **May 28, 2013**
(51) **LOC (10) Cl.** **02-02**
(52) **U.S. Cl.**
USPC **D2/836**
(58) **Field of Classification Search**
USPC D2/828-839, 840, 841, 843, 845, 847,
D2/849, 724, 725, 750, 751; 2/92, 93, 96,
2/98, 99, 100, 101, 126, 108
CPC A41D 1/02; A41D 1/04; A41D 1/18;
A41D 5/00; A41D 5/003; A41D 3/00;
A41D 3/02; A41D 3/04; A41D 11/00
See application file for complete search history.

D672,531 S * 12/2012 Kelfer D2/750
8,510,865 B2 * 8/2013 Pyfer et al. 2/84
8,566,963 B2 * 10/2013 Ryan 2/84
2002/0142112 A1 * 10/2002 Tarrell 428/17
2005/0028242 A1 * 2/2005 Thomas et al. 2/84
2008/0098503 A1 5/2008 Swartz
2008/0196140 A1 * 8/2008 Mayerson et al. 2/84
2009/0055991 A1 * 3/2009 Johnson et al. 2/84
2010/0017933 A1 1/2010 Taylor-Barry
2012/0005802 A1 * 1/2012 Claeys 2/84

(Continued)

OTHER PUBLICATIONS

[Online] <http://i00.i.aliimg.com/wsphoto/v0/1583253520/Europe-America-Hip-Hop-men-s-hoodies-splice-pu-leather-patchwork-sleeve-fashion-hooded-leisure-sweatshirts.jpg>. Retrieved Jul. 23, 2015.*

(Continued)

Primary Examiner — Garth Rademaker
Assistant Examiner — Melanie Pellegrini

(57) **CLAIM**
I claim the ornamental design for a sweater, as shown and described.

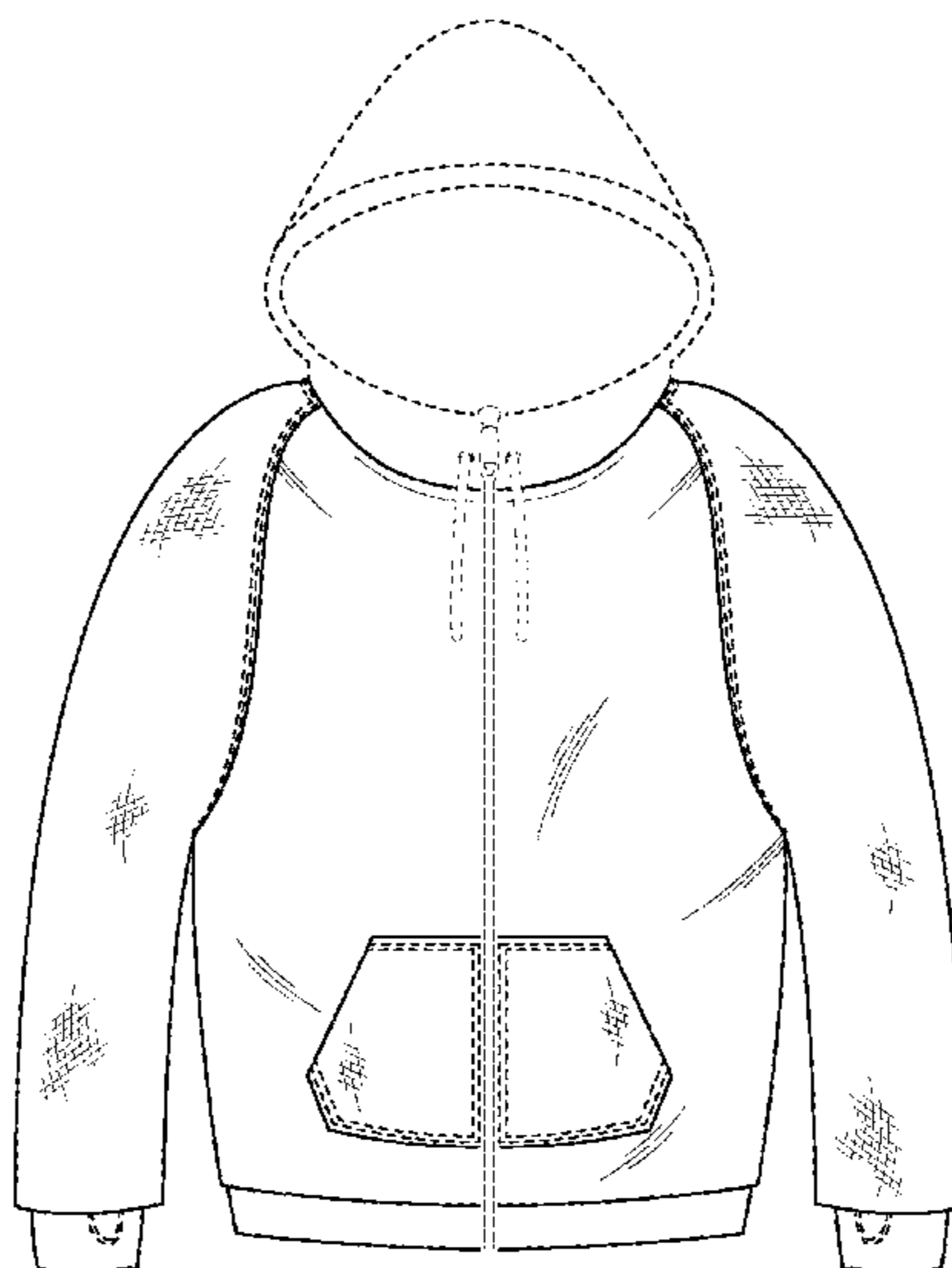
(56) **References Cited**
U.S. PATENT DOCUMENTS

2,388,234 A 11/1945 Abel
D284,325 S 6/1986 Birmingham, Jr.
4,782,534 A 11/1988 Grilliot et al.
4,999,850 A 3/1991 Grilliot et al.
5,023,953 A 6/1991 Bettcher
D385,088 S * 10/1997 Handysides D2/831
5,974,586 A 11/1999 Reinoso
6,115,850 A 9/2000 Grilliot et al.
6,839,911 B1 * 1/2005 Mathews 2/93
D551,429 S * 9/2007 Wager D2/831
D615,731 S * 5/2010 Oneto, Sr. D2/750
D621,132 S * 8/2010 Crisp D2/831
D627,540 S * 11/2010 Claeys D2/750
D636,973 S * 5/2011 Smith et al. D2/831
D653,836 S * 2/2012 Woyshner et al. D2/750
8,234,720 B2 * 8/2012 Freedman et al. 2/128
8,256,024 B2 9/2012 Roberts

DESCRIPTION

FIG. 1 is a front elevational view of a sweater showing my new design;
FIG. 2 is a rear elevational view thereof;
FIG. 3 is a front elevational view thereof with the sleeves pushed up;
FIG. 4 is an enlarged perspective view of the end of a sleeve; and,
FIG. 5 is a side elevational view thereof.
The broken lines shown in the drawings illustrate portions of the sweater that form no part of the claimed design. The double broken lines on the sleeves and pockets represent stitching which forms no part of the claimed design.

1 Claim, 5 Drawing Sheets



(56)

References Cited

U.S. PATENT DOCUMENTS

2013/0219581 A1* 8/2013 Schrimpf 2/69
2014/0096305 A1* 4/2014 Friesen 2/84
2014/0304885 A1* 10/2014 Oliver 2/84

OTHER PUBLICATIONS

[Online] <http://weldarmor.ca/collections/all/products/titanium-base-model>. Retrieved Jul. 23, 2015.*

Legion Safety. "Chicago Protective FR Cotton Sleeves" <<http://www.legionsafety.com/chicago-protective-593-gr-bb-fr-cotton-sleeves.html>> [retrieved Mar. 13, 2013].

Weldas, The Professional's Choice. "Green Flame Retardant Clothing" <<http://www.weldas.com/GreenFR.php?c=27&p=10>> [retrieved Mar. 13, 2013].

* cited by examiner

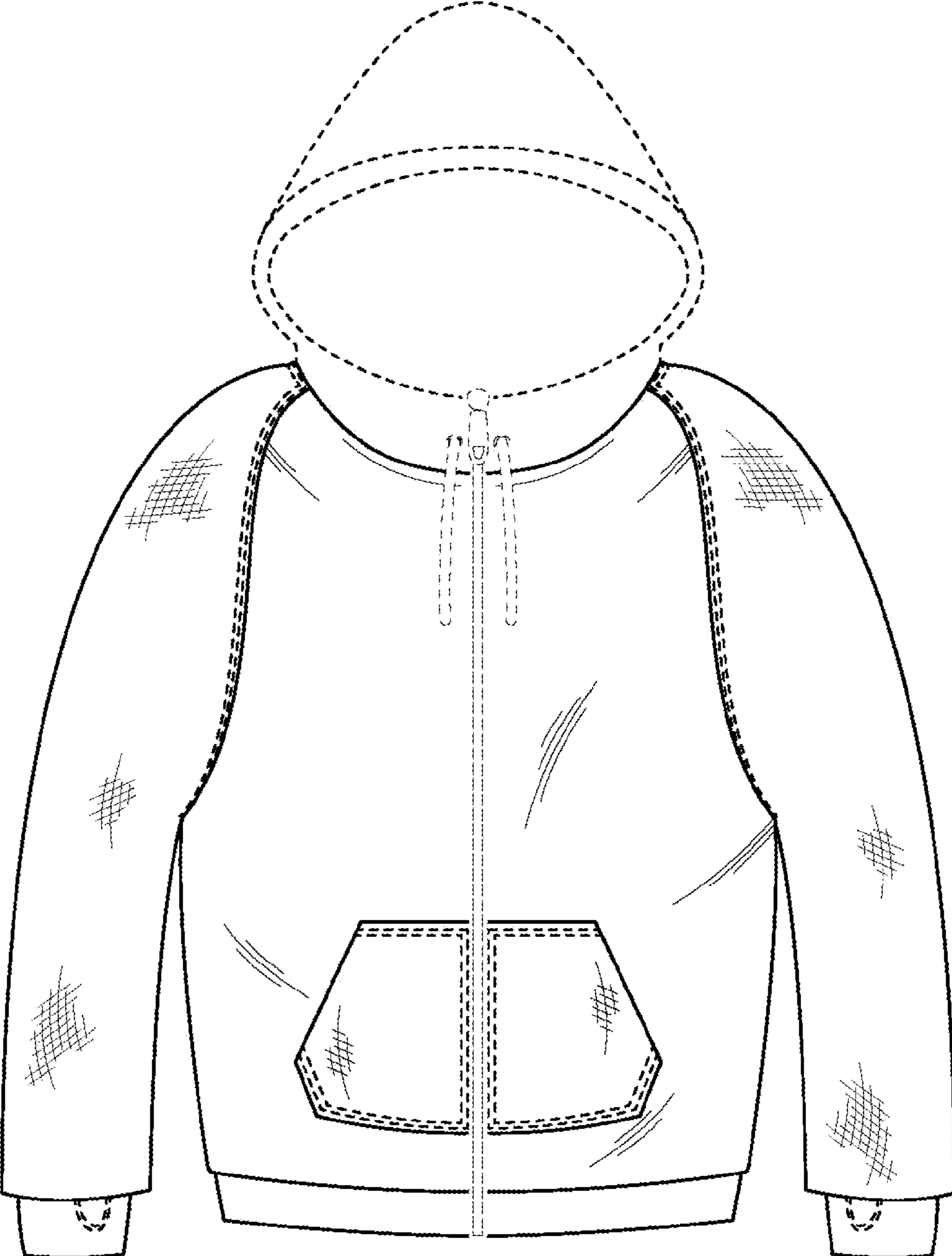


FIG.1

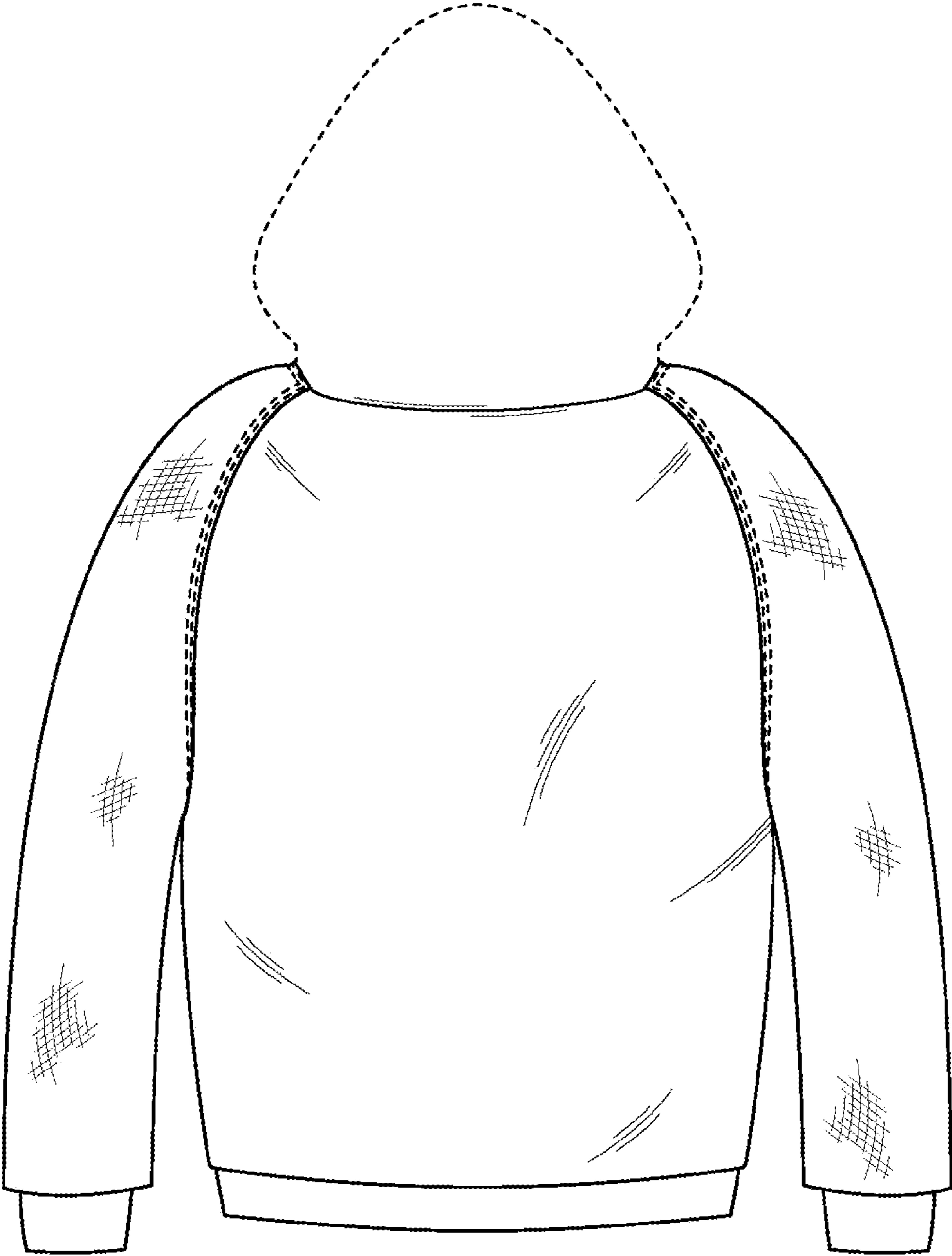


FIG.2

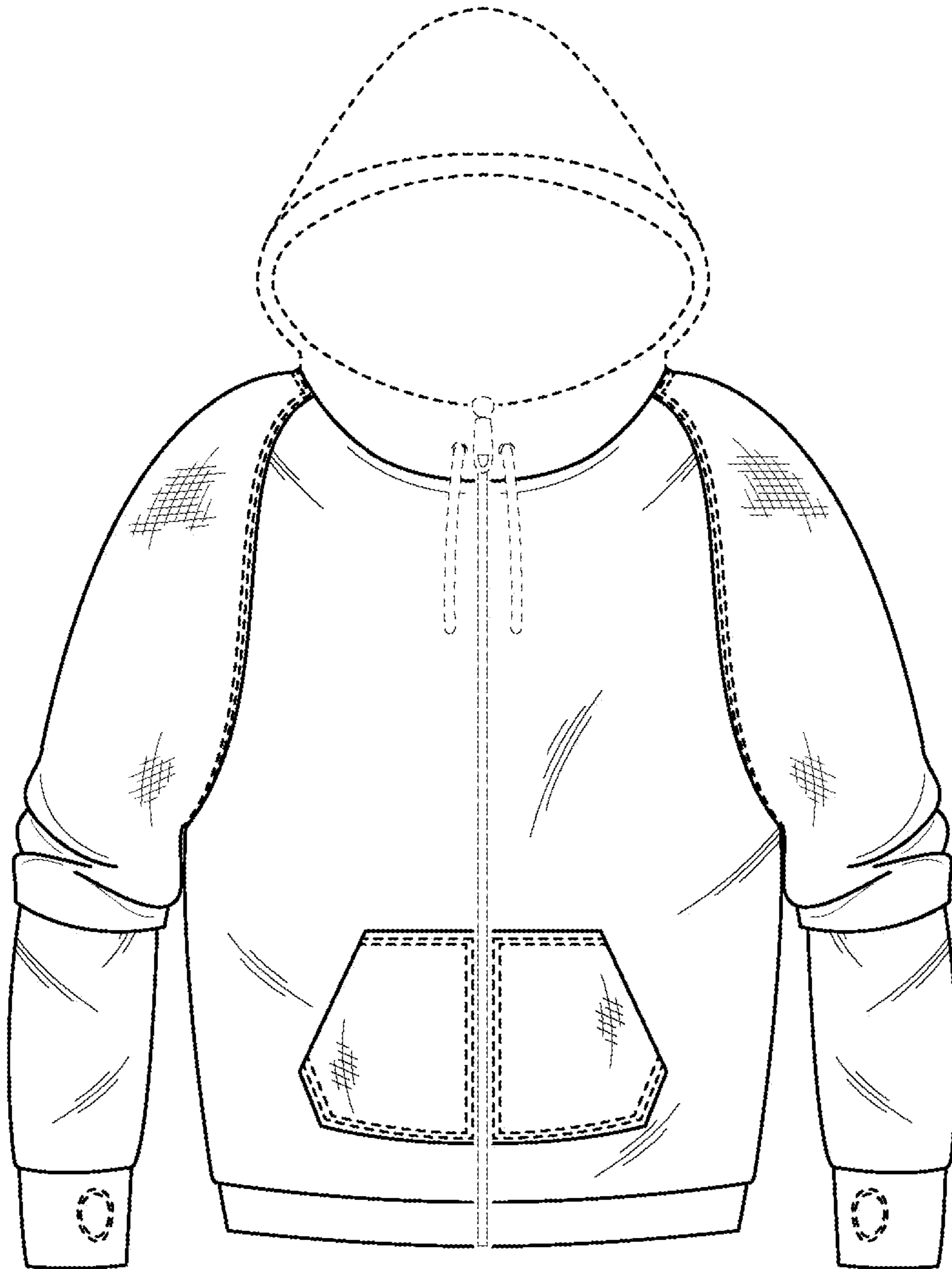


FIG.3

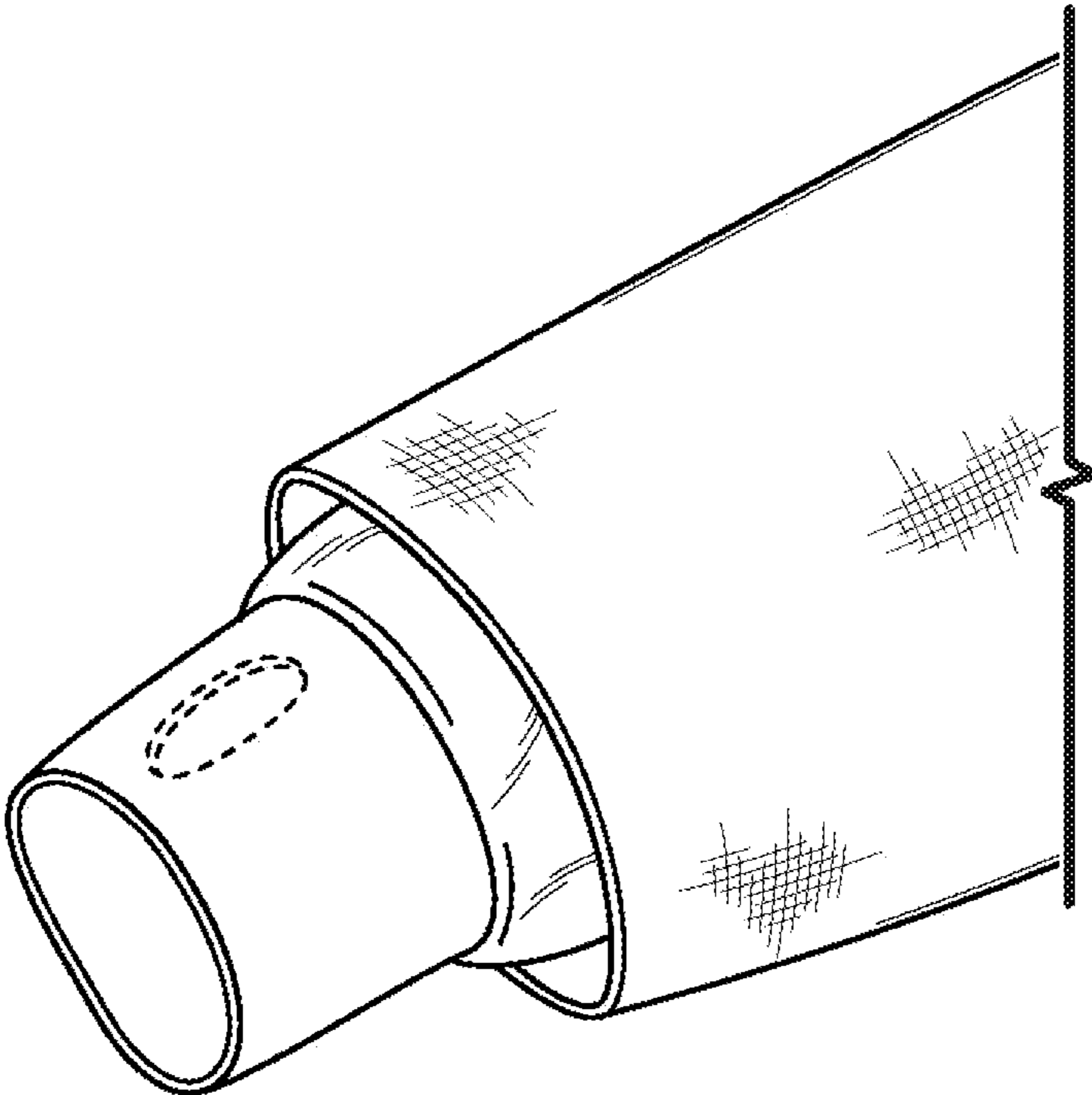


FIG.4

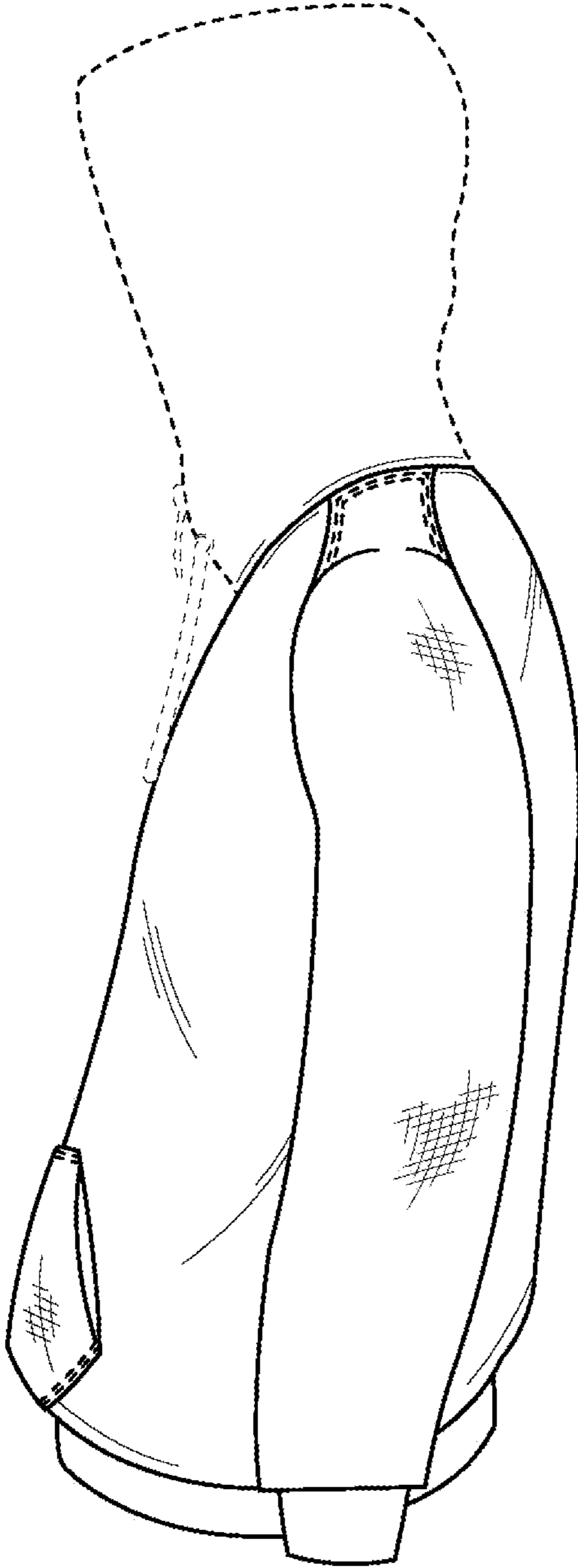


FIG.5