



US00D765350S

(12) **United States Design Patent** (10) **Patent No.:** **US D765,350 S**
Kentos (45) **Date of Patent:** **** Sep. 6, 2016**

(54) **HOODED GARMENT**

(71) Applicant: **Martin Kentos**, Miami Beach, FL (US)

(72) Inventor: **Martin Kentos**, Miami Beach, FL (US)

(**) Term: **14 Years**

(21) Appl. No.: **29/509,614**

(22) Filed: **Nov. 19, 2014**

(51) **LOC (10) Cl.** **02-02**

(52) **U.S. Cl.**
USPC **D2/831**

(58) **Field of Classification Search**
CPC . A41D 13/015; A41D 13/05; A41D 13/0512
See application file for complete search history.

(56) **References Cited**

U.S. PATENT DOCUMENTS

D404,186 S *	1/1999	Bellon	D2/840
D553,330 S *	10/2007	Wager	D2/831
D584,482 S *	1/2009	Marsh	D2/717
D630,002 S *	1/2011	Brown	D2/741
D630,003 S *	1/2011	Brown	D2/741
D699,927 S *	2/2014	Fujioka	D2/866
D719,722 S *	12/2014	Bublak	D2/828
D725,874 S *	4/2015	Coghill	24/712

* cited by examiner

Primary Examiner — Charles Hanson

(74) *Attorney, Agent, or Firm* — H. John Rizvi; Gold & Rizvi, P.A.

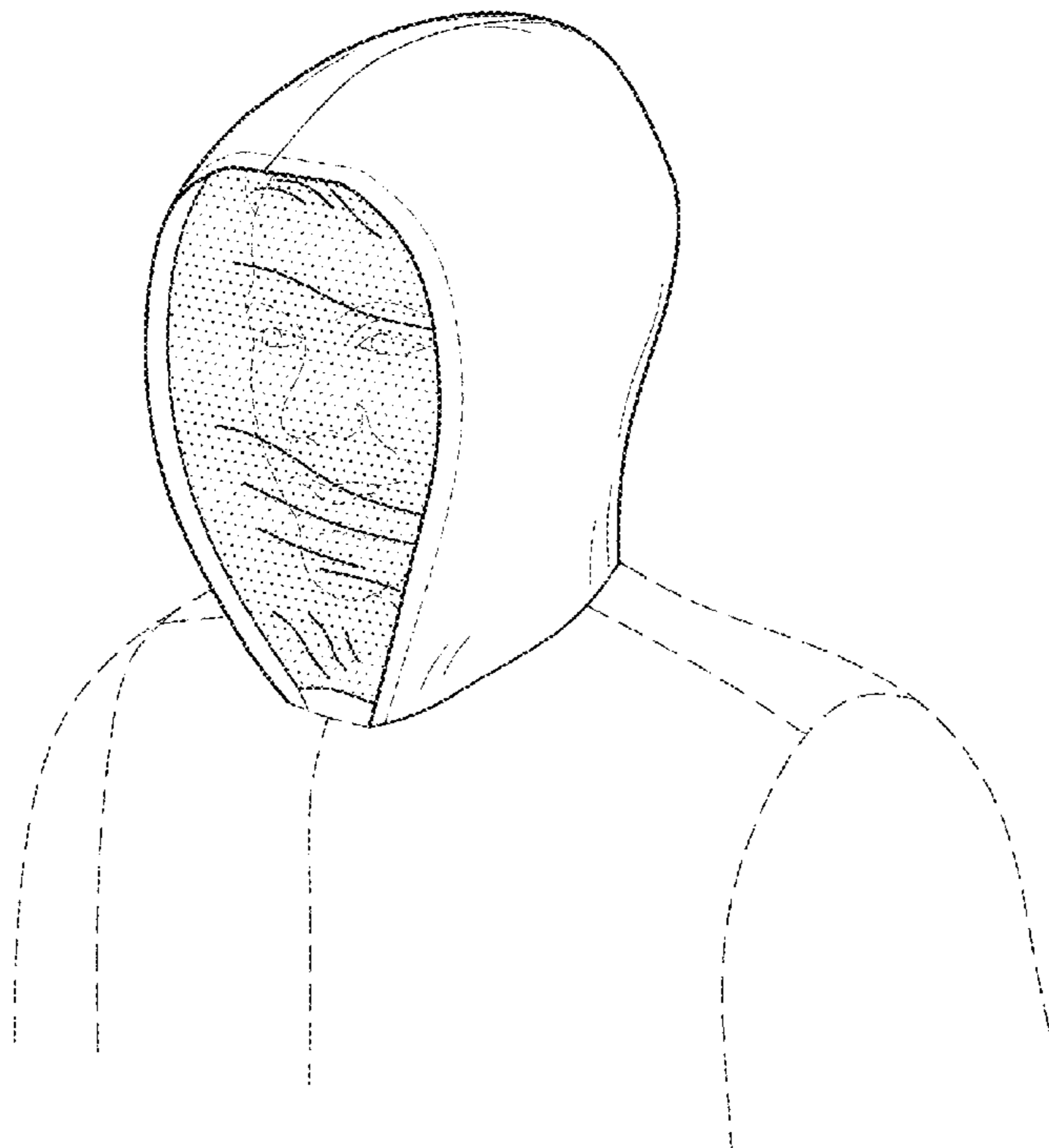
(57) **CLAIM**

I claim the ornamental design for a hooded garment, as shown and described.

DESCRIPTION

FIG. 1 is a front perspective view of a hooded garment showing my new design;
 FIG. 2 is a front elevation view thereof;
 FIG. 3 is a right side view thereof, the left side being a mirror image;
 FIG. 4 is a rear elevation view thereof; and,
 FIG. 5 is a top plan view thereof.
 A design bottom side view is not applicable and has been omitted.
 A design left side perspective view has been omitted, as it is a mirror image of the right side perspective view of FIG. 3.
 The contrast in shading between the hood portion and the face-covering portion of the hooded garment represents an exemplary contrast in appearance only and does not represent any particular color, material, texture or finish. The broken lines around the opening of the hood represent a stitching and form no part of the claimed design. The broken lines showing the remainder of the hooded garment are for environmental purposes only and form no part of the claimed design.

1 Claim, 5 Drawing Sheets



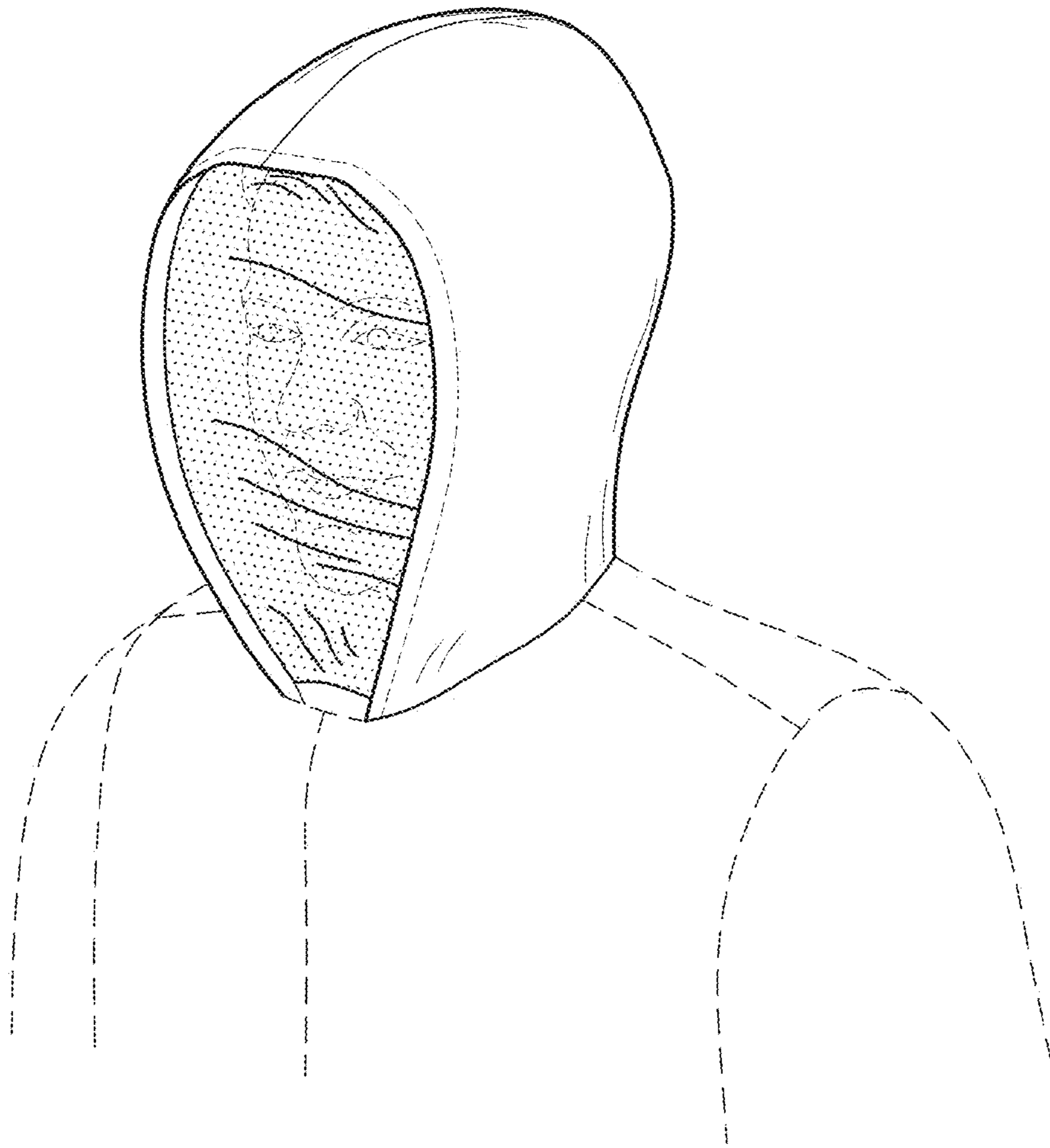


FIG. 1

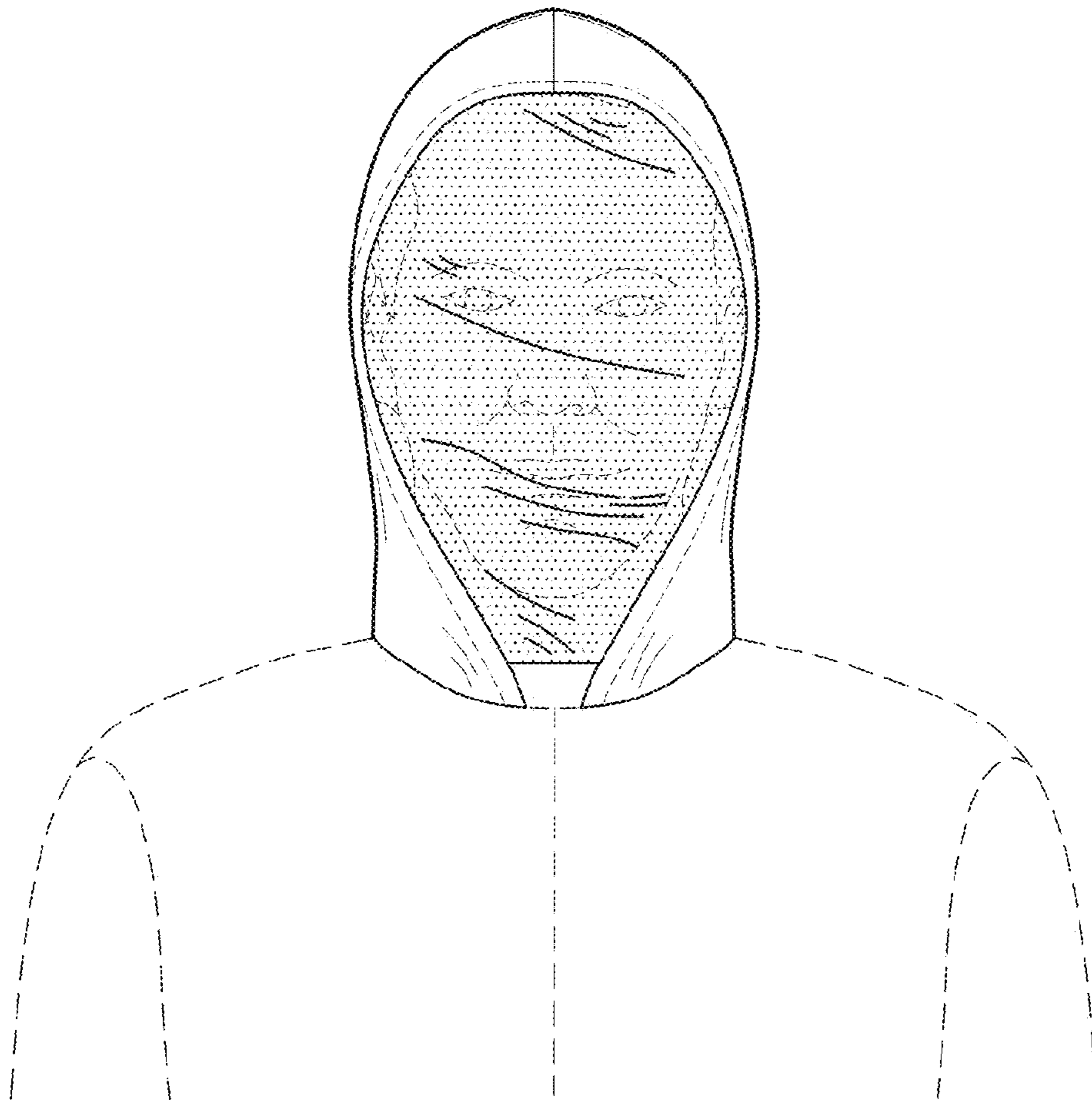


FIG. 2

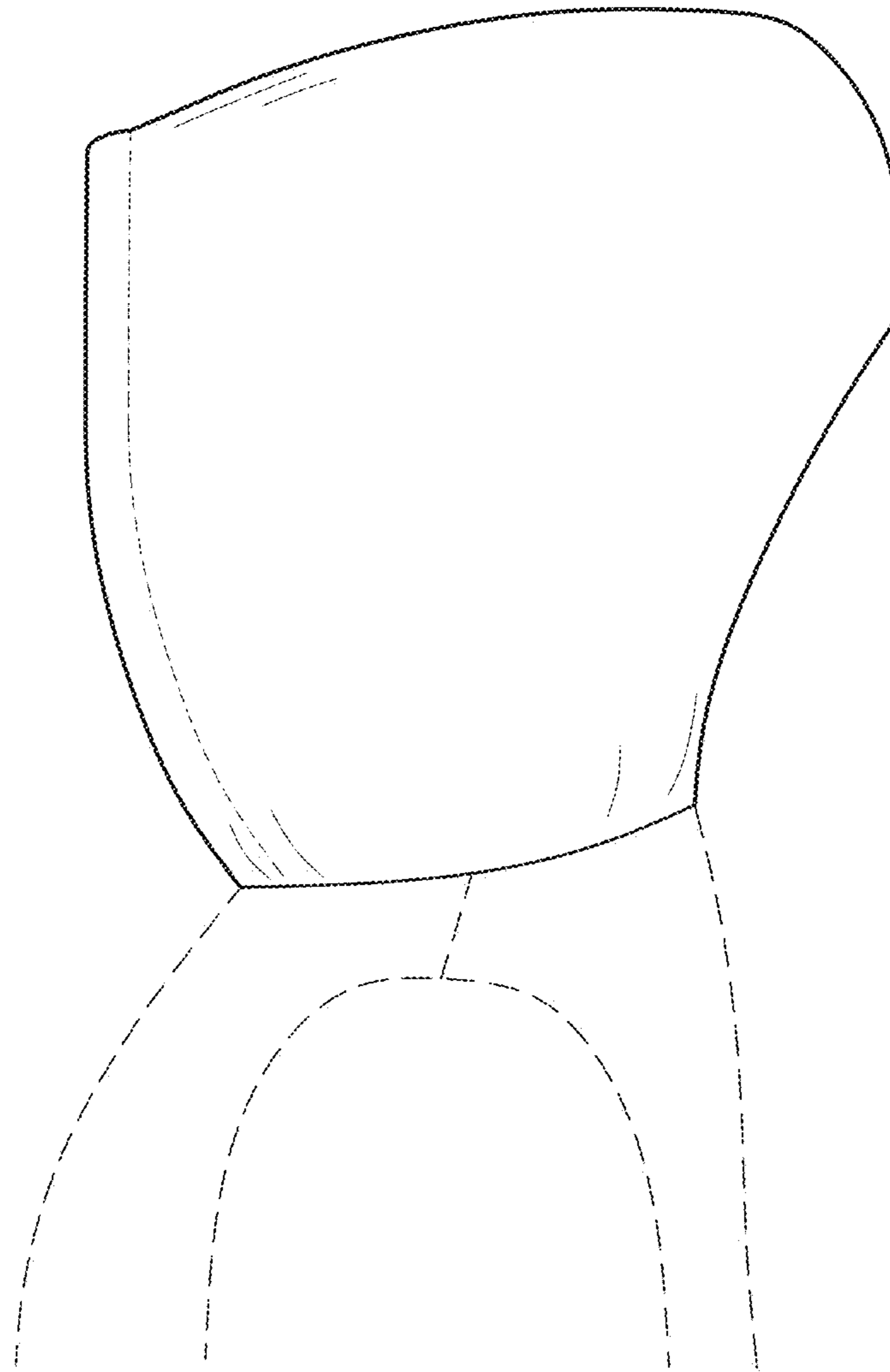


FIG.3

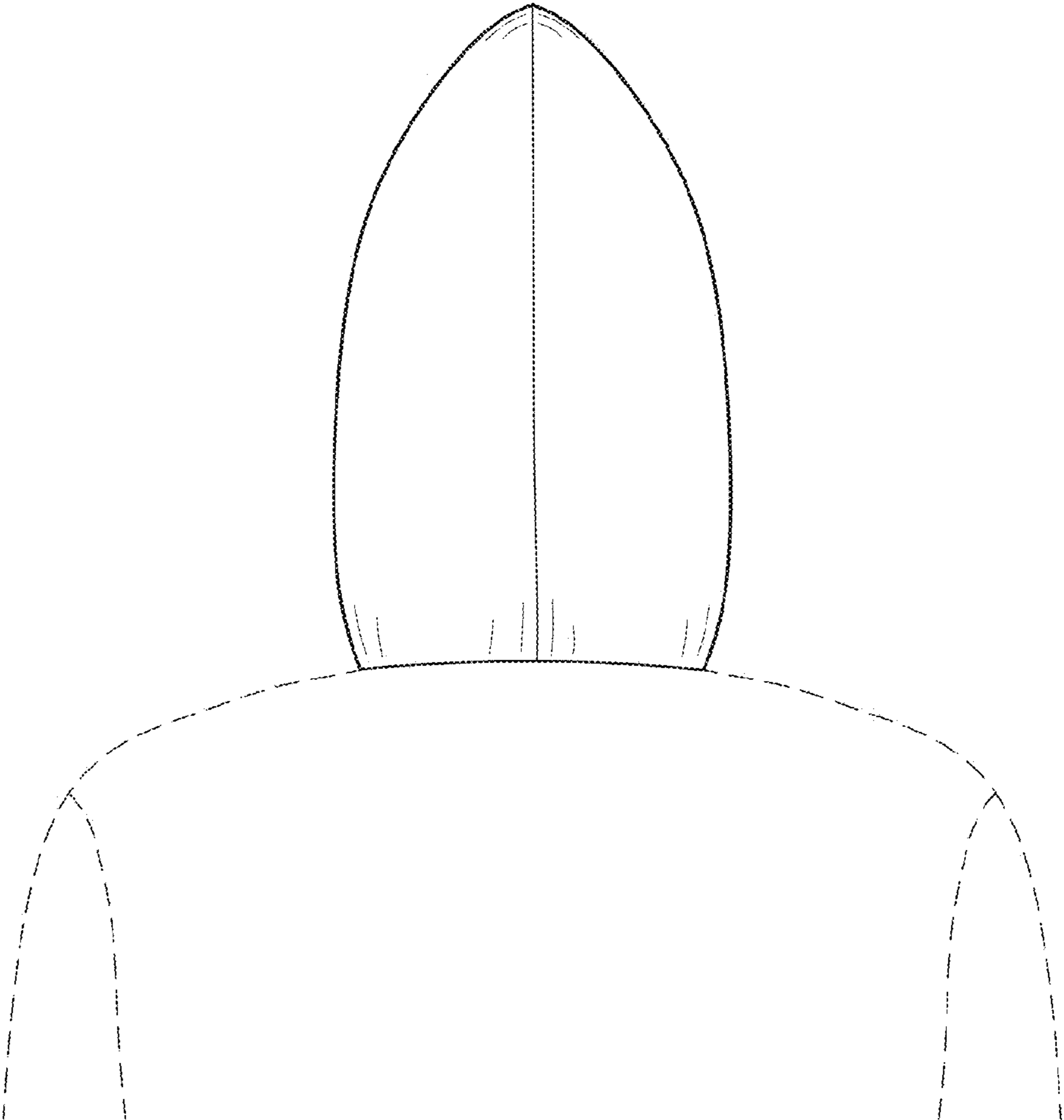


FIG.4

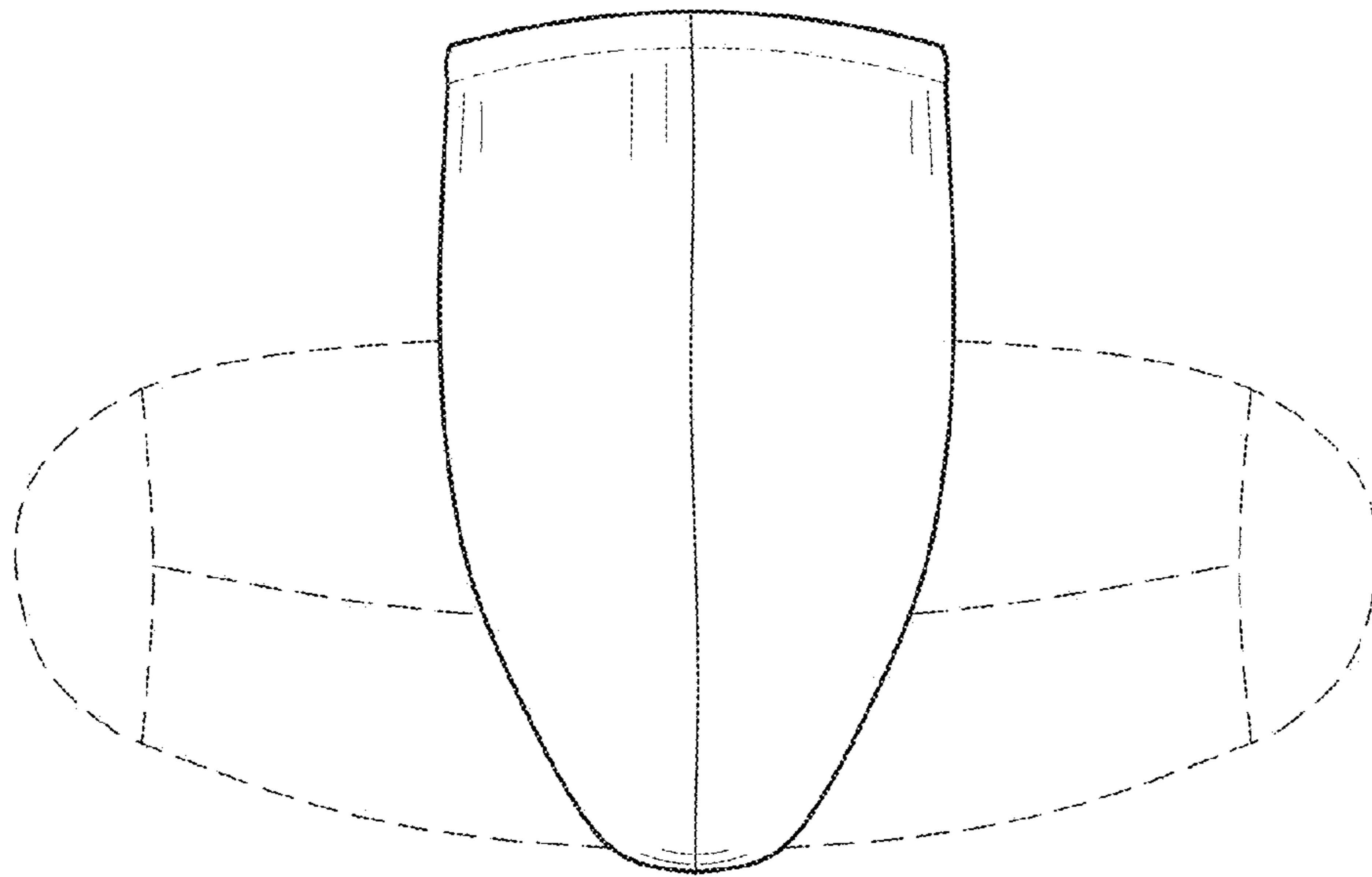


FIG.5