



US00D765340S

(12) **United States Design Patent** (10) **Patent No.:** **US D765,340 S**
Lee et al. (45) **Date of Patent:** **** Aug. 30, 2016**

(54) **AUTOMATED TELLER MACHINE**

(56) **References Cited**

(71) Applicant: **Nautilus Hyosung Inc.**, Seoul (KR)

U.S. PATENT DOCUMENTS

(72) Inventors: **Hee Youn Lee**, Sungman-si (KR); **Jae Min Park**, Anyang-si (KR); **Chan Won Park**, Seoul (KR); **Jae Min Cha**, Sungman-si (KR)

D332,165	S	*	12/1992	Fukutake	D99/28
D360,735	S	*	7/1995	Hall	D99/28
D405,833	S	*	2/1999	Mussett	D20/1
D410,129	S	*	5/1999	Molander	D99/28
D427,413	S	*	6/2000	Wallace	D99/28
D479,642	S	*	9/2003	Magee	D18/3.1
D492,080	S	*	6/2004	Magee	D99/28
D494,730	S	*	8/2004	Magee	D99/28
D505,765	S	*	5/2005	Swaine	D99/28
7,028,888	B2	*	4/2006	Laskowski	G06Q 20/1085 235/379
D532,579	S	*	11/2006	Kang	D18/3.1
D558,425	S	*	12/2007	Dias	D99/28
D584,875	S	*	1/2009	Bleck	D99/28
D597,275	S	*	7/2009	Lee	D99/28
D625,305	S	*	10/2010	Bleck	D14/307
D625,485	S	*	10/2010	Lee	D99/28
D629,585	S	*	12/2010	Bleck	D14/307
7,959,072	B1	*	6/2011	Jenkins	G06Q 20/1085 235/375

(73) Assignee: **NAUTILUS HYOSUNG INC.**, Seoul (KR)

(**) Term: **14 Years**

(21) Appl. No.: **29/499,410**

(22) Filed: **Aug. 14, 2014**

(30) **Foreign Application Priority Data**

Mar. 24, 2014 (KR) 30-2014-0014503

(51) **LOC (10) Cl.** **99-00**

(52) **U.S. Cl.**
USPC **D99/28**

(58) **Field of Classification Search**
USPC D99/28, 34, 35, 36, 43, 99;
D14/300-302, 305, 307, 900-902;
D18/3.1-3.3, 4.1-4.6, 12.1-12.3;
D21/324, 325, 329, 369, 370
CPC G06Q 20/10; G06Q 20/108; G06Q
20/1085; G06Q 20/18; G07D 11/00; G07D
1/00; G07D 1/02; G07D 1/04; G07D 1/06;
G07D 9/002; G07D 9/04; G07F 19/20;
G07F 19/201; G07F 19/202; G07F 19/203;
G07F 19/204; G07F 19/205; G07F 19/21;
G07F 7/04; G07F 5/00; G07F 1/00; E05G
7/001; E05G 1/006; A63G 33/001; A63G
33/006

See application file for complete search history.

(Continued)

Primary Examiner — Elizabeth J Oswecki

(74) *Attorney, Agent, or Firm* — Fenwick & West LLP

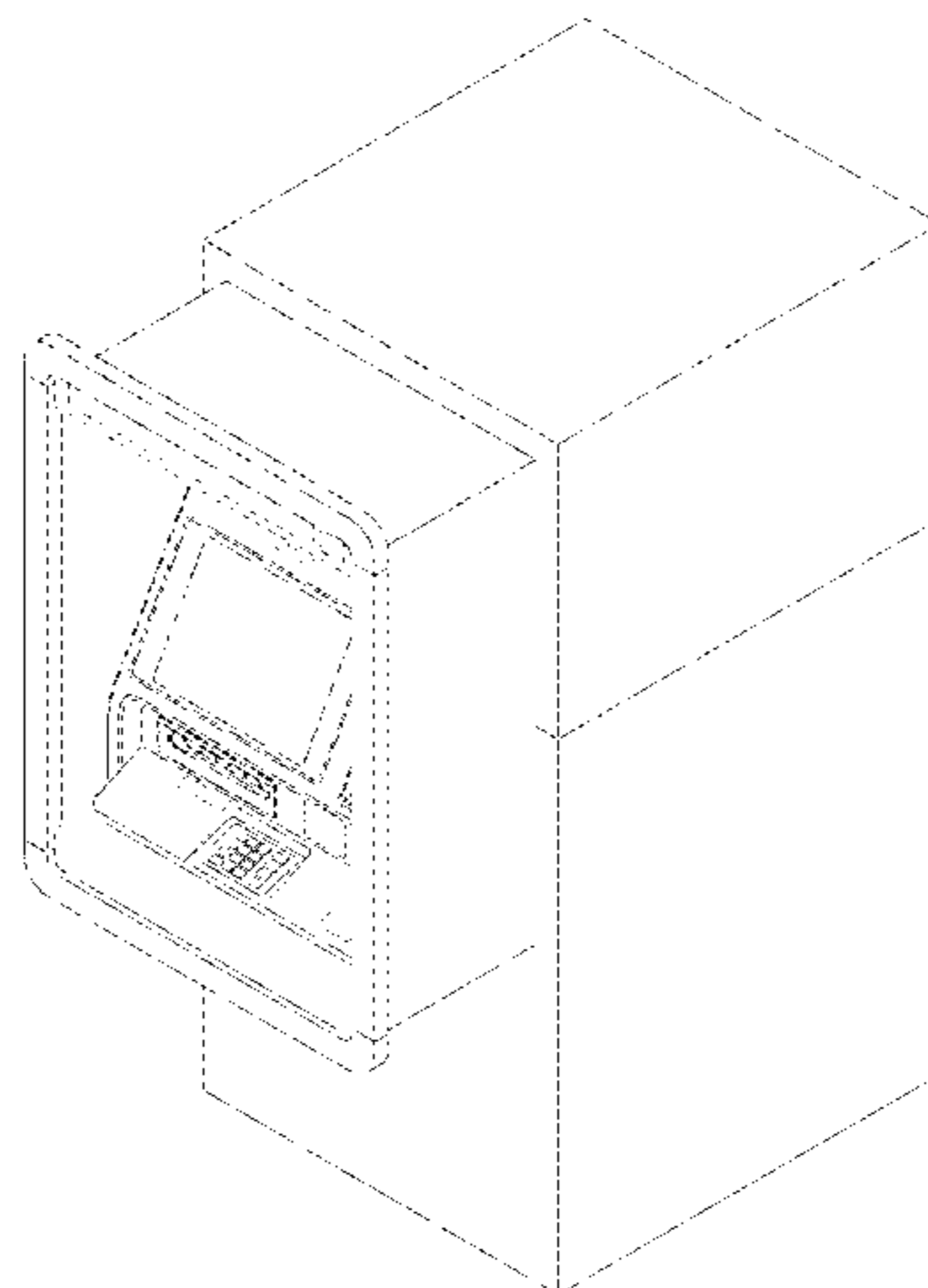
(57) **CLAIM**

The ornamental design for an automated teller machine, as shown and described.

DESCRIPTION

FIG. 1 is a perspective view of an automated teller machine, showing our new design.
FIG. 2 is a front view of the automated teller machine of FIG. 1.
FIG. 3 is a rear view of the automated teller machine of FIG. 1.
FIG. 4 is a left side view of the automated teller machine of FIG. 1.
FIG. 5 is a right side view of the automated teller machine of FIG. 1.
FIG. 6 is a top view of the automated teller machine of FIG. 1; and,
FIG. 7 is a bottom view of the automated teller machine of FIG. 1.

1 Claim, 7 Drawing Sheets



US D765,340 S

Page 2

(56)

References Cited

U.S. PATENT DOCUMENTS

7,989,460 B2 *	8/2011	Hennequin	C07D 401/14	D696,484 S *	12/2013	Lee	D99/28
				514/266.1	D696,485 S *	12/2013	Lee	D99/28
D653,012 S *	1/2012	Rohan	D14/307	D724,290 S *	3/2015	Cha	D99/28
D653,014 S *	1/2012	Rohan	D14/307	D724,812 S *	3/2015	Cha	D99/28
D672,525 S *	12/2012	Lee	D14/900	D746,538 S *	12/2015	Cha	D99/28
					D746,539 S *	12/2015	Lee	D99/28
					D749,290 S *	2/2016	Pollmann	D99/28

* cited by examiner

Fig 1

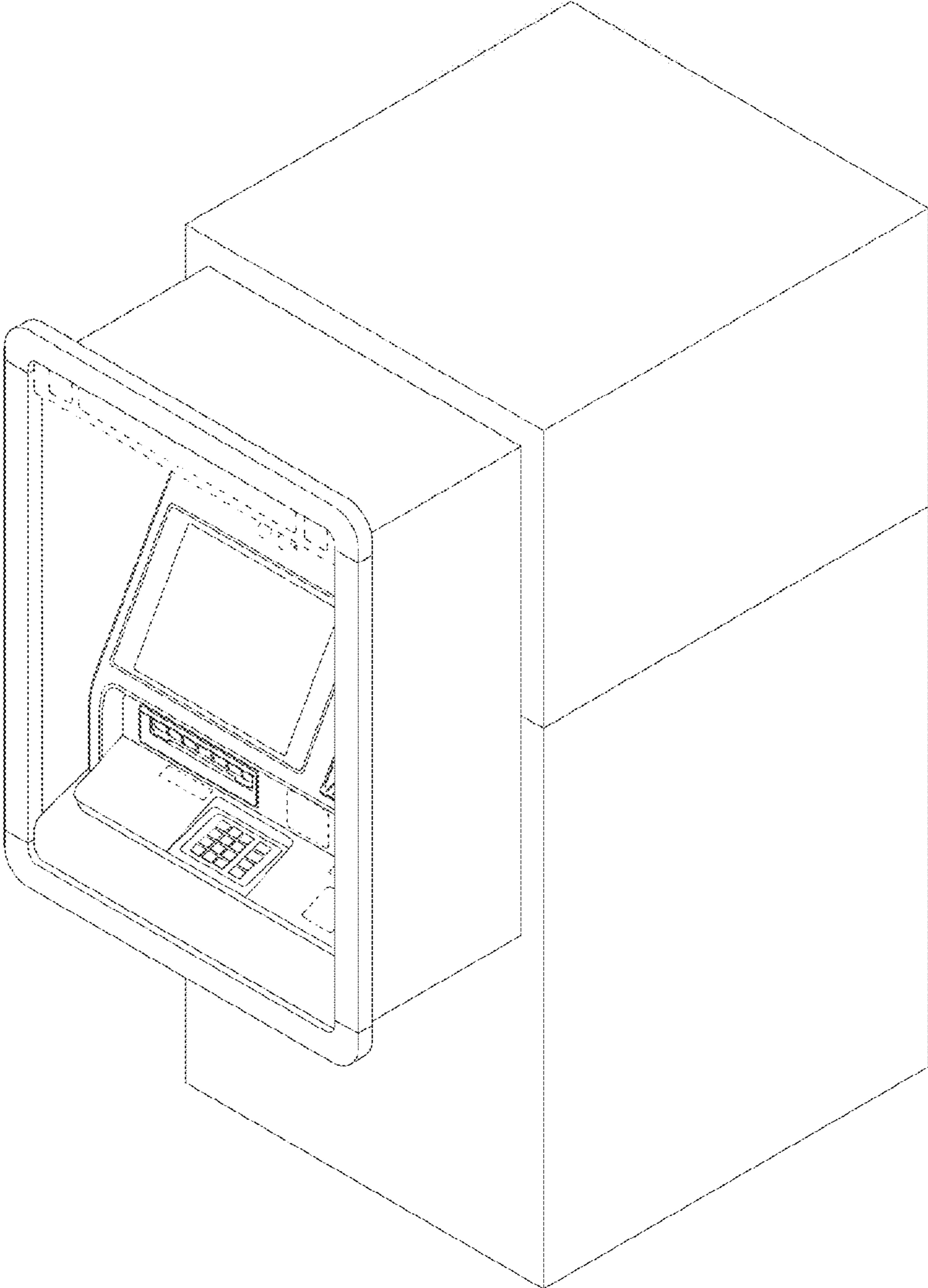


Fig 2

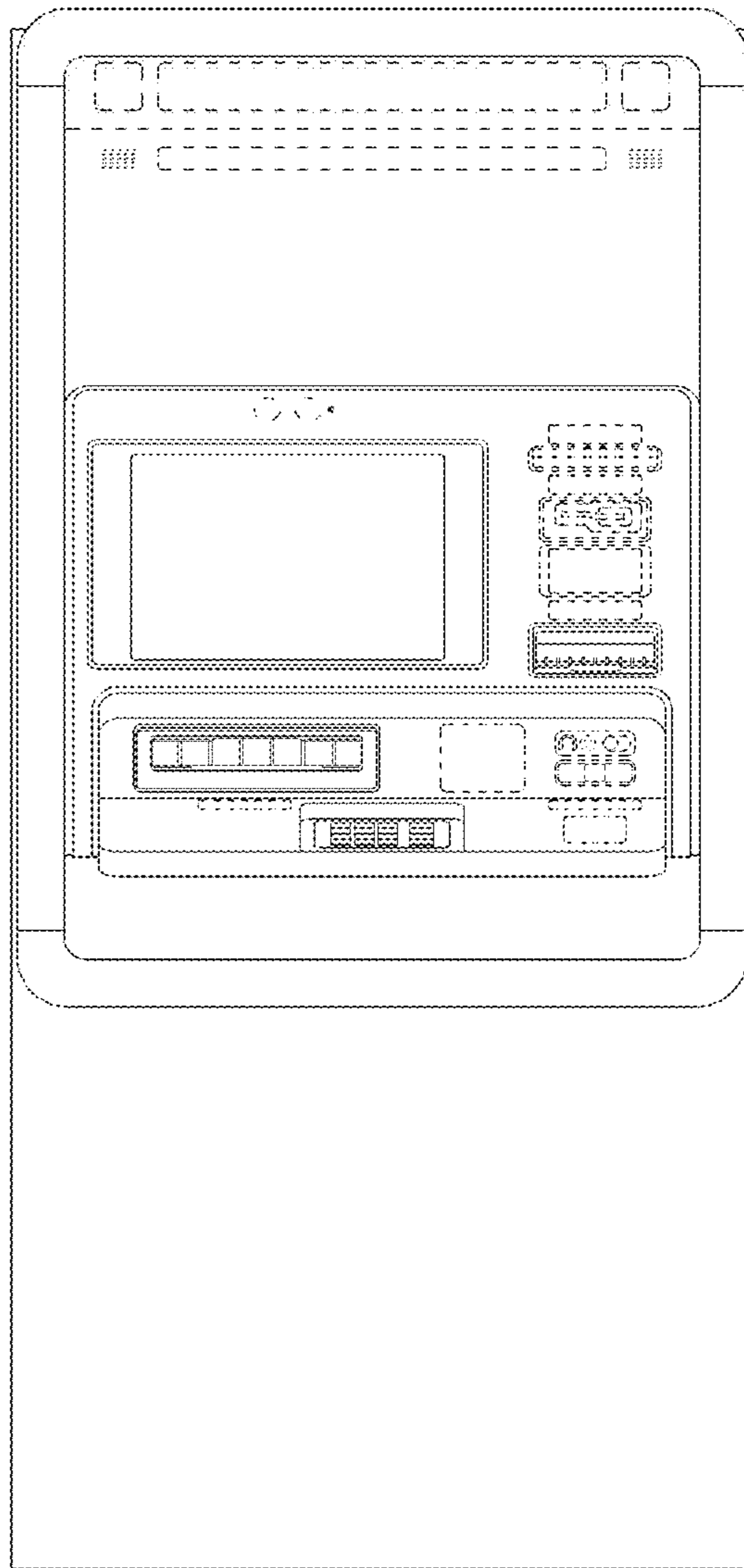


Fig 3

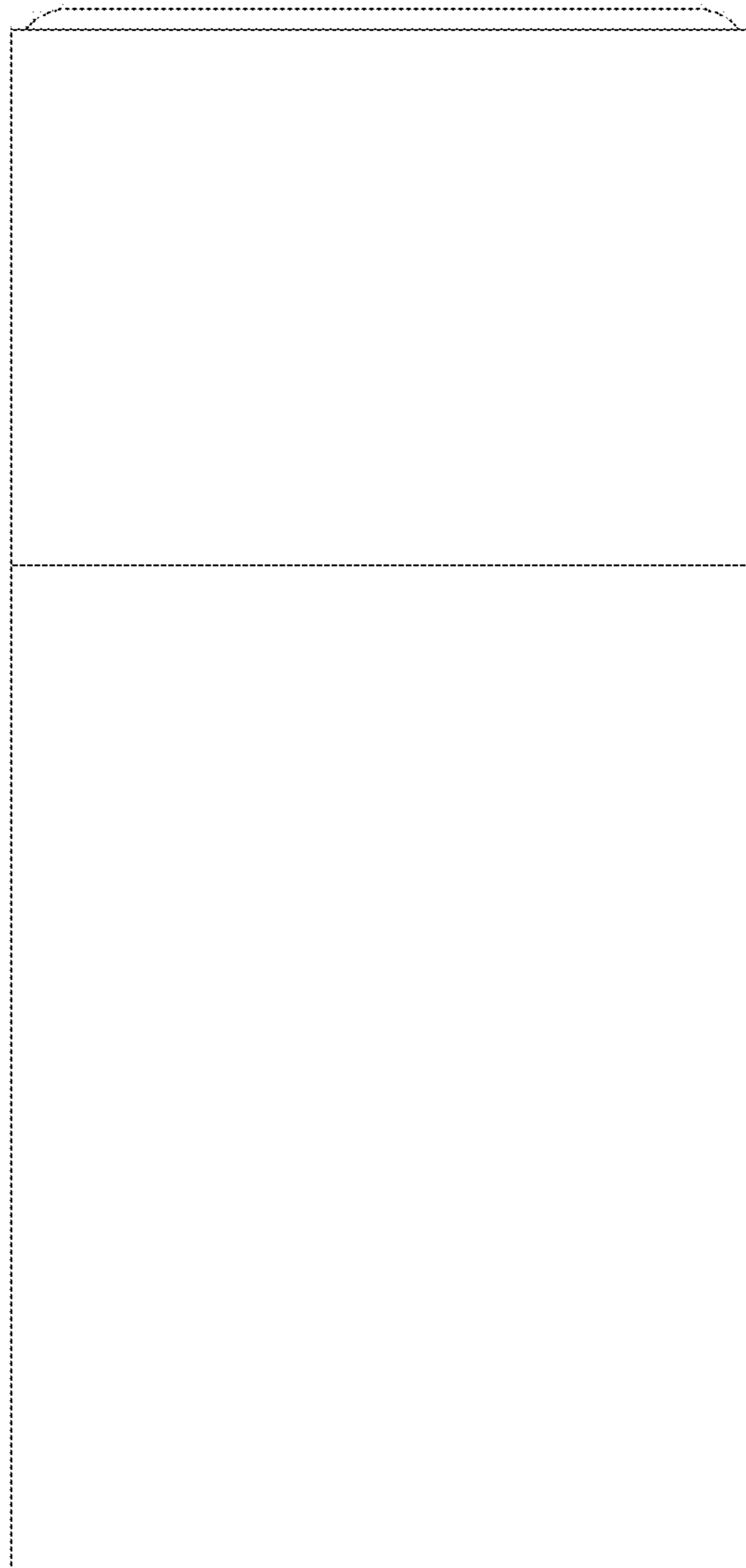


Fig 4

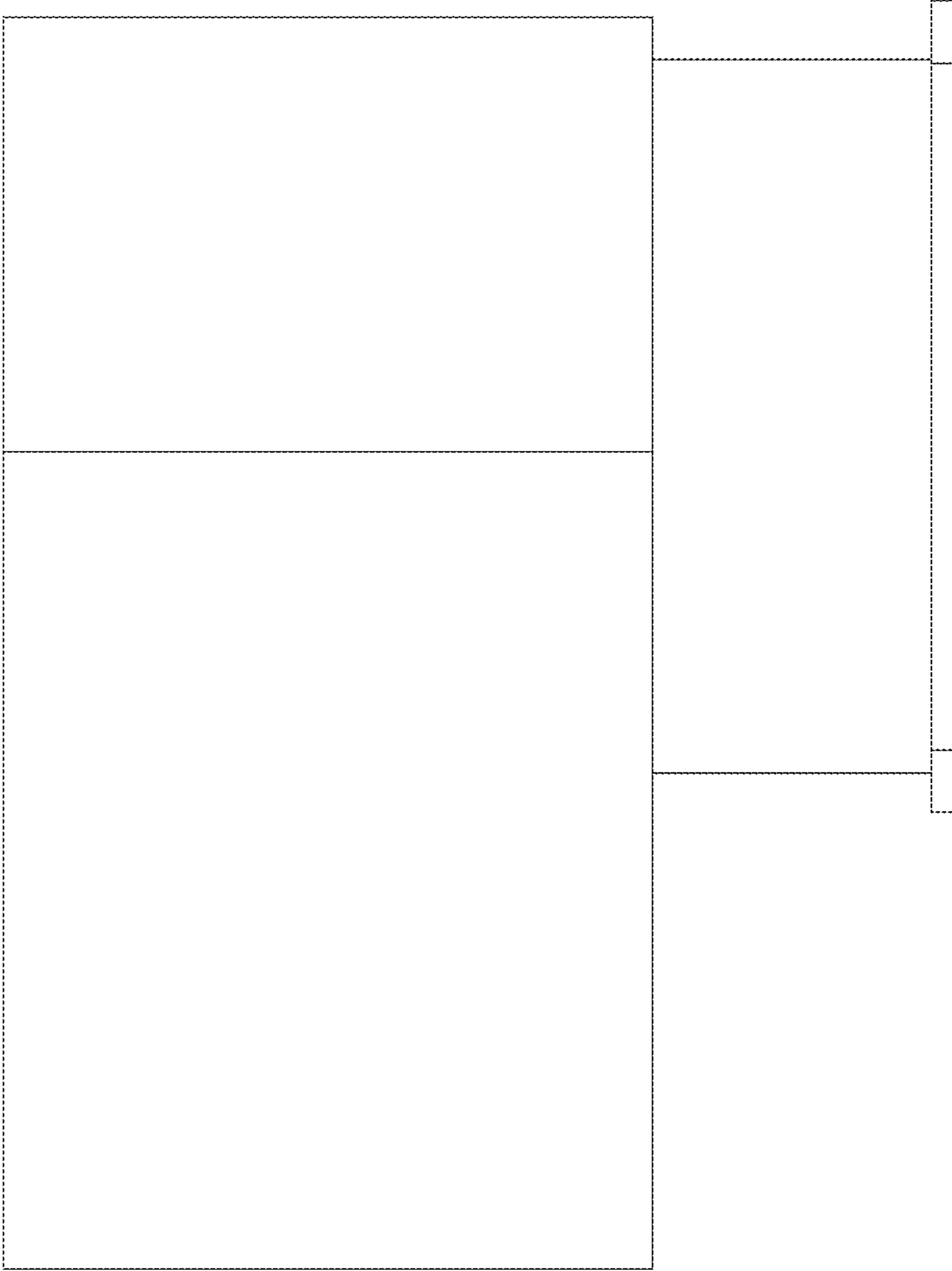


Fig 5

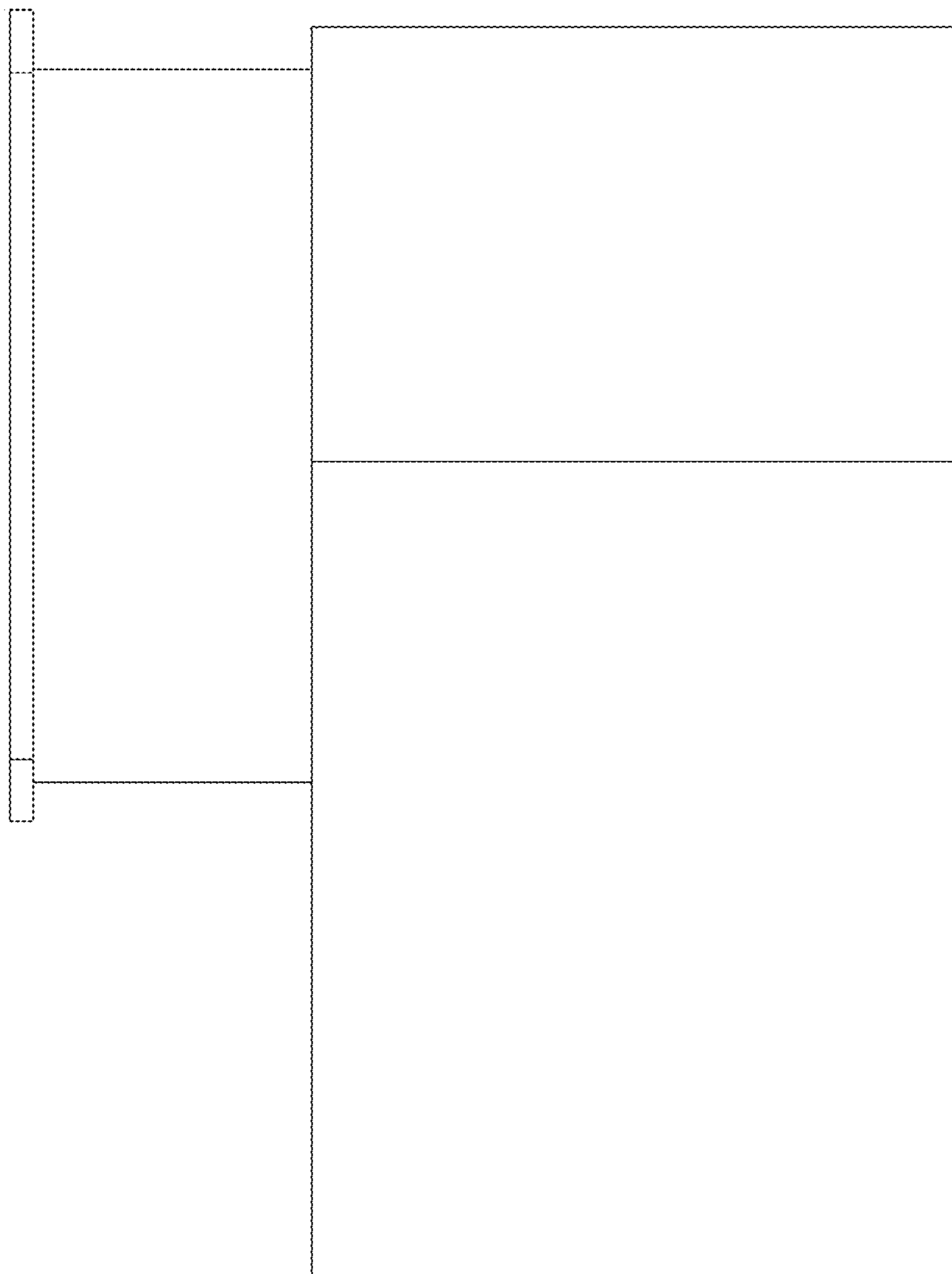


Fig 6

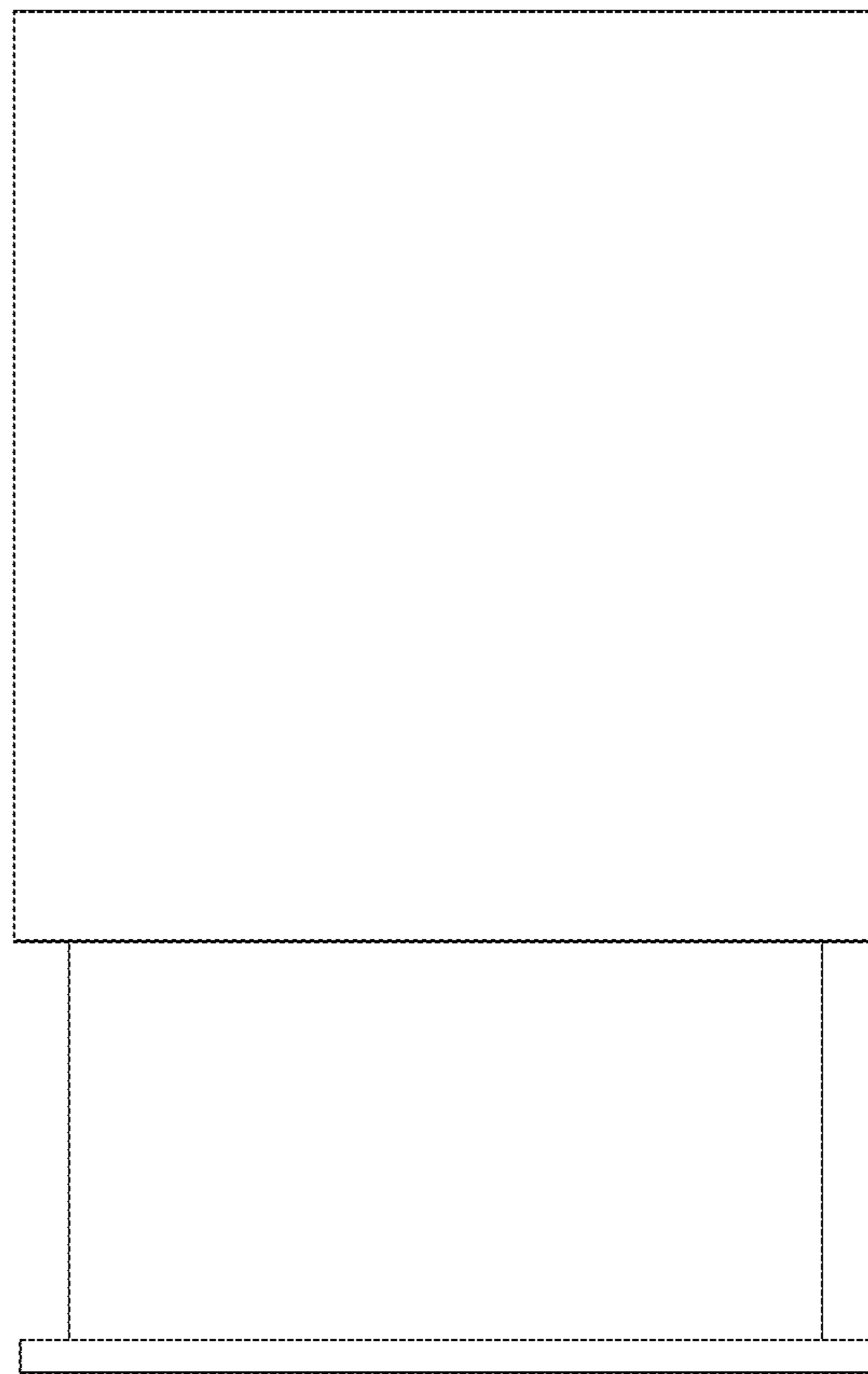


Fig 7

