



US00D765336S

(12) **United States Design Patent** (10) **Patent No.:** **US D765,336 S**  
**Doyon** (45) **Date of Patent:** **\*\* Aug. 30, 2016**

(54) **RECYCLING BIN LINER**  
(71) Applicant: **Tanya M. Doyon**, St-Zotique (CA)  
(72) Inventor: **Tanya M. Doyon**, St-Zotique (CA)  
(\*\*) Term: **14 Years**  
(21) Appl. No.: **29/525,694**  
(22) Filed: **May 1, 2015**

6,550,792 B1 4/2003 Salmonet al.  
D552,351 S \* 10/2007 Bauers ..... D21/721  
7,401,708 B2 7/2008 Lin  
D679,881 S \* 4/2013 Colayco ..... D34/1  
D722,735 S \* 2/2015 Del Rosario Roy ..... D34/8  
D728,887 S \* 5/2015 Kernen ..... D34/1  
2005/0109776 A1 5/2005 Camp, Jr.  
2009/0294451 A1\* 12/2009 Martheenal ..... B65D 21/0216  
220/495.11

\* cited by examiner

*Primary Examiner* — Cynthia Ramirez  
(74) *Attorney, Agent, or Firm* — Robert C. Montgomery;  
Montgomery Patent & Design

**Related U.S. Application Data**

(63) Continuation-in-part of application No. 14/039,372,  
filed on Sep. 27, 2013, now abandoned.  
(51) **LOC (10) Cl.** ..... **09-09**  
(52) **U.S. Cl.**  
USPC ..... **D34/10; D34/7**  
(58) **Field of Classification Search**  
USPC ..... D34/1-11; 220/908, 908.1, 495.01,  
220/495.08, 495.06  
CPC ..... B65F 1/163; B65F 1/08; B65F 1/1607;  
B65F 1/06; B65F 1/1615; B65F 1/0006;  
B65F 25/14; B65F 25/16  
See application file for complete search history.

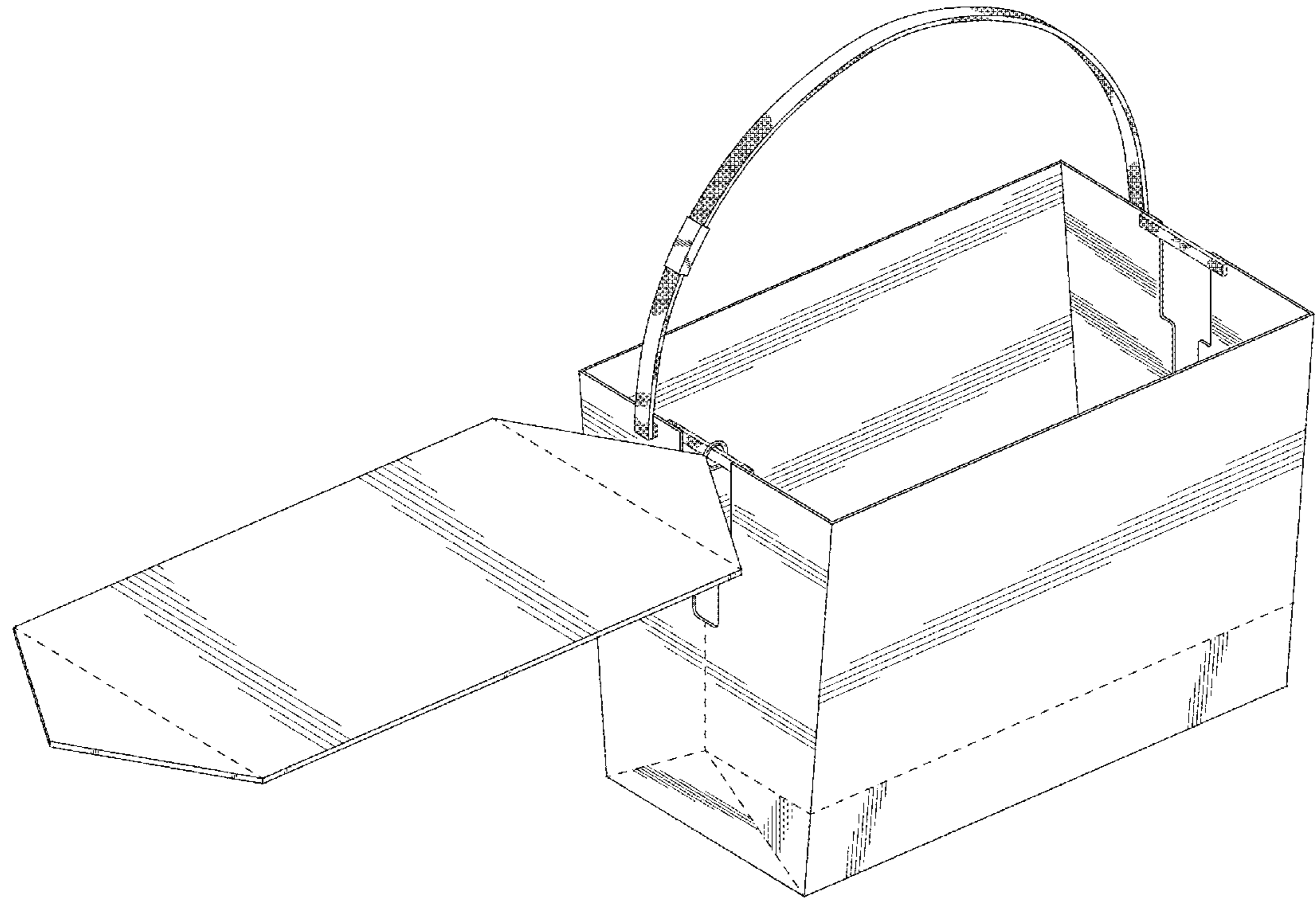
(57) **CLAIM**  
The ornamental design for a recycling bin liner, as shown  
and described.

**DESCRIPTION**

FIG. 1 is a perspective front view of the recycling bin liner,  
showing my new design;  
FIG. 2 is a perspective back view thereof;  
FIG. 3 is a front side view thereof;  
FIG. 4 is a back side view thereof;  
FIG. 5 is a left side view thereof;  
FIG. 6 is a right side view thereof;  
FIG. 7 is a top side view thereof; and,  
FIG. 8 is a bottom side view thereof.  
The broken lines are for the purpose of illustrating fold lines  
and form no part of the claimed design.

(56) **References Cited**  
**U.S. PATENT DOCUMENTS**  
D336,243 S \* 6/1993 Evans ..... D3/294  
5,881,901 A 3/1999 Hampton  
6,311,859 B1 11/2001 Haas

**1 Claim, 8 Drawing Sheets**



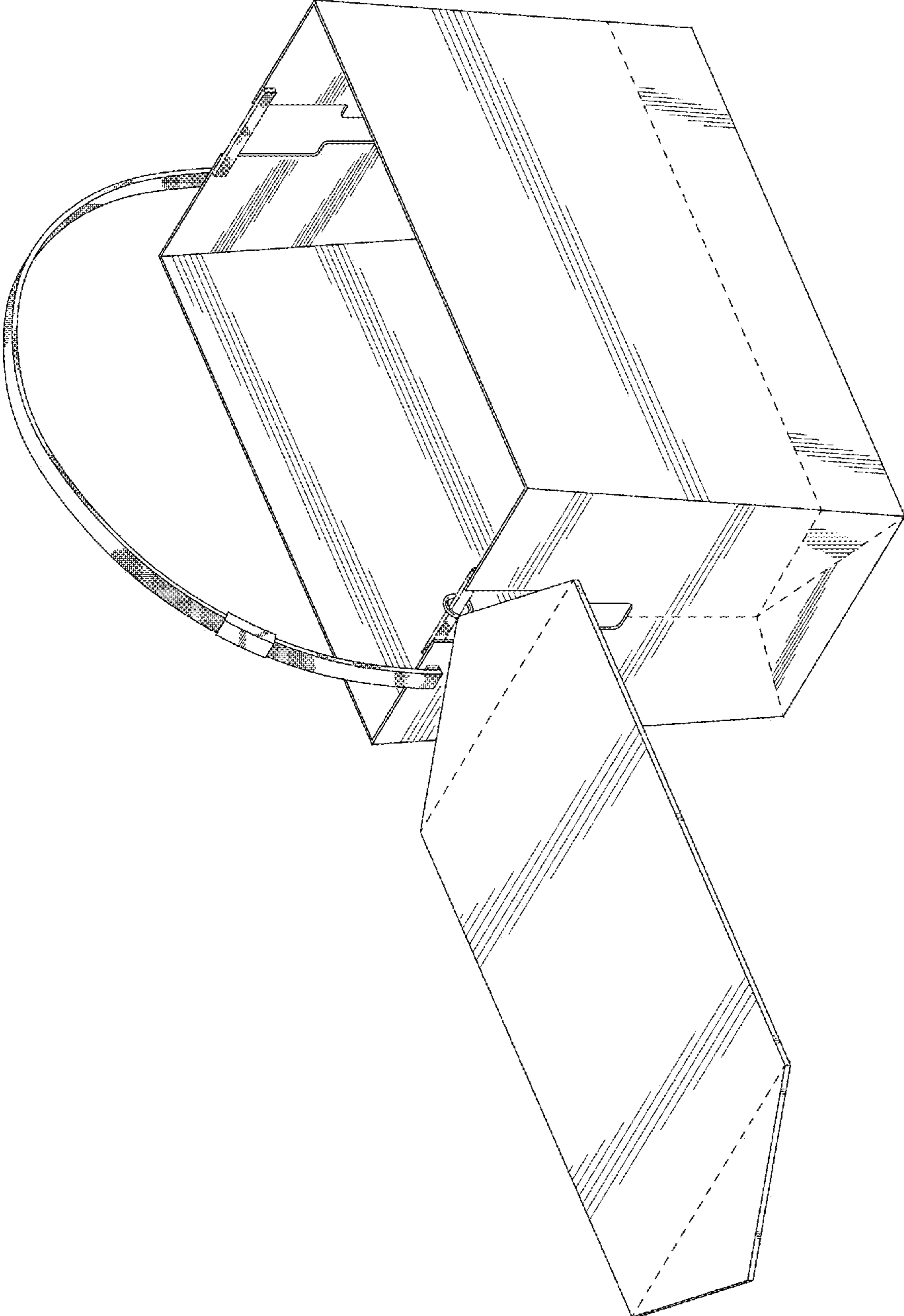


FIG. 1

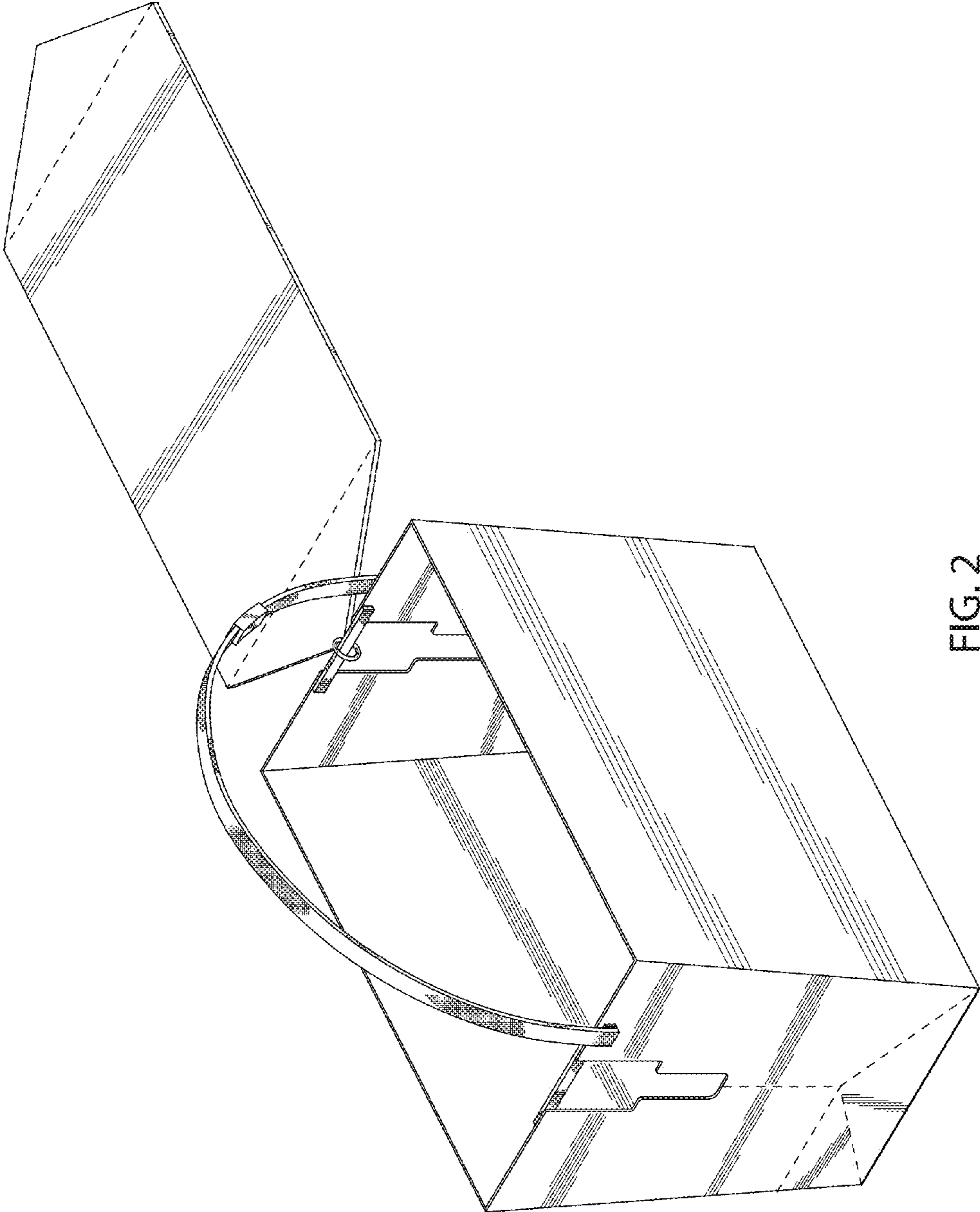


FIG. 2

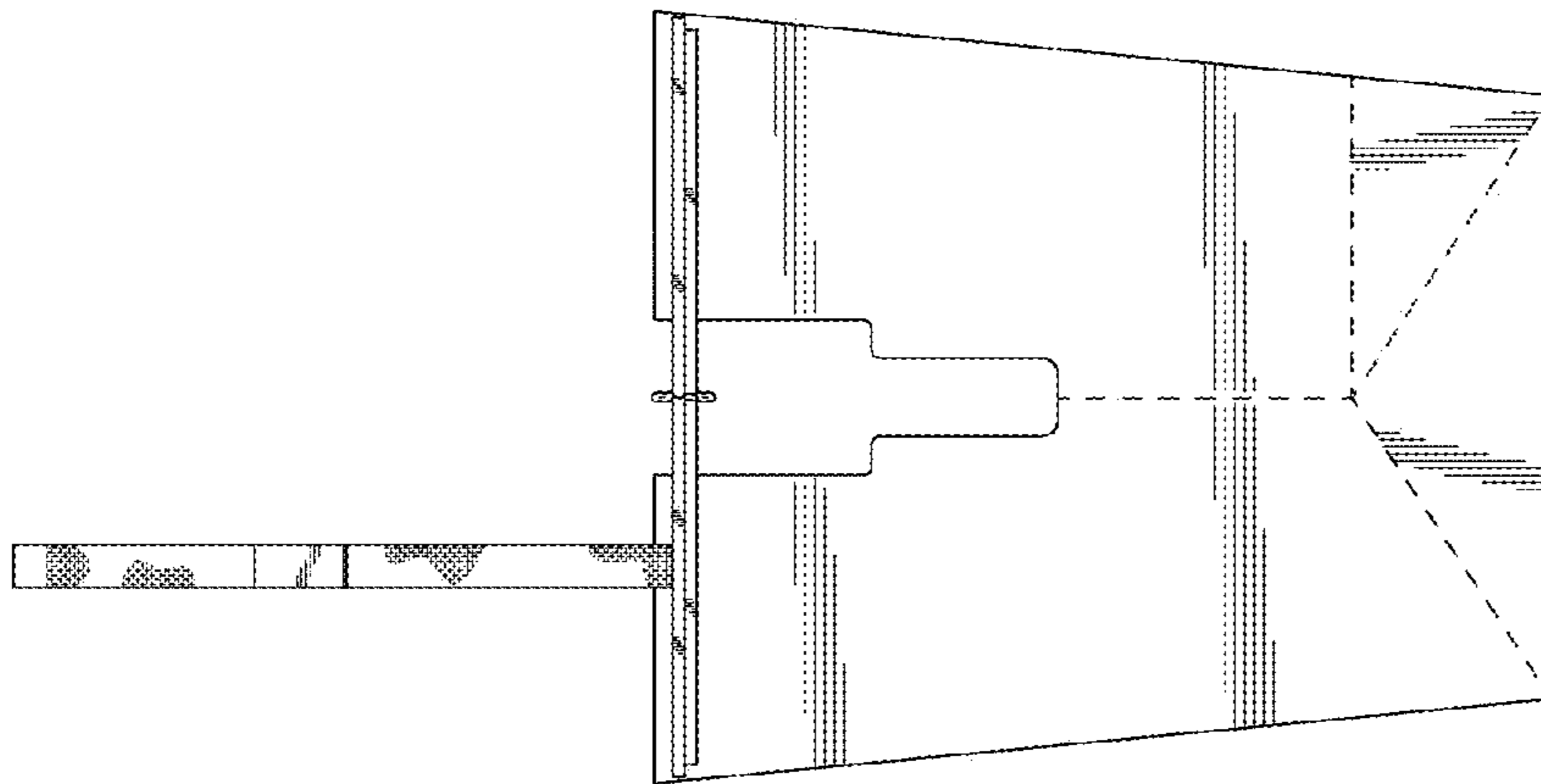


FIG. 3

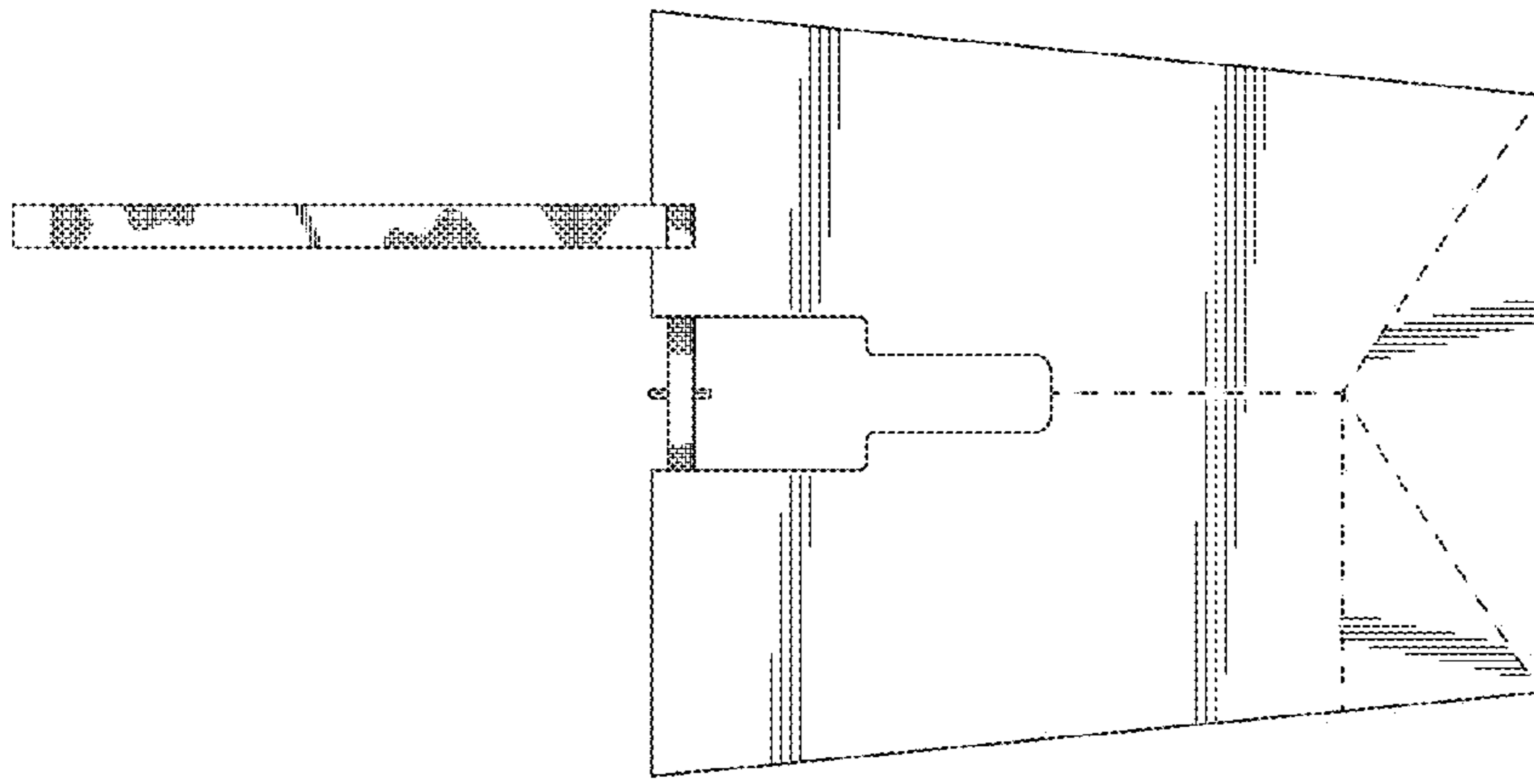


FIG. 4

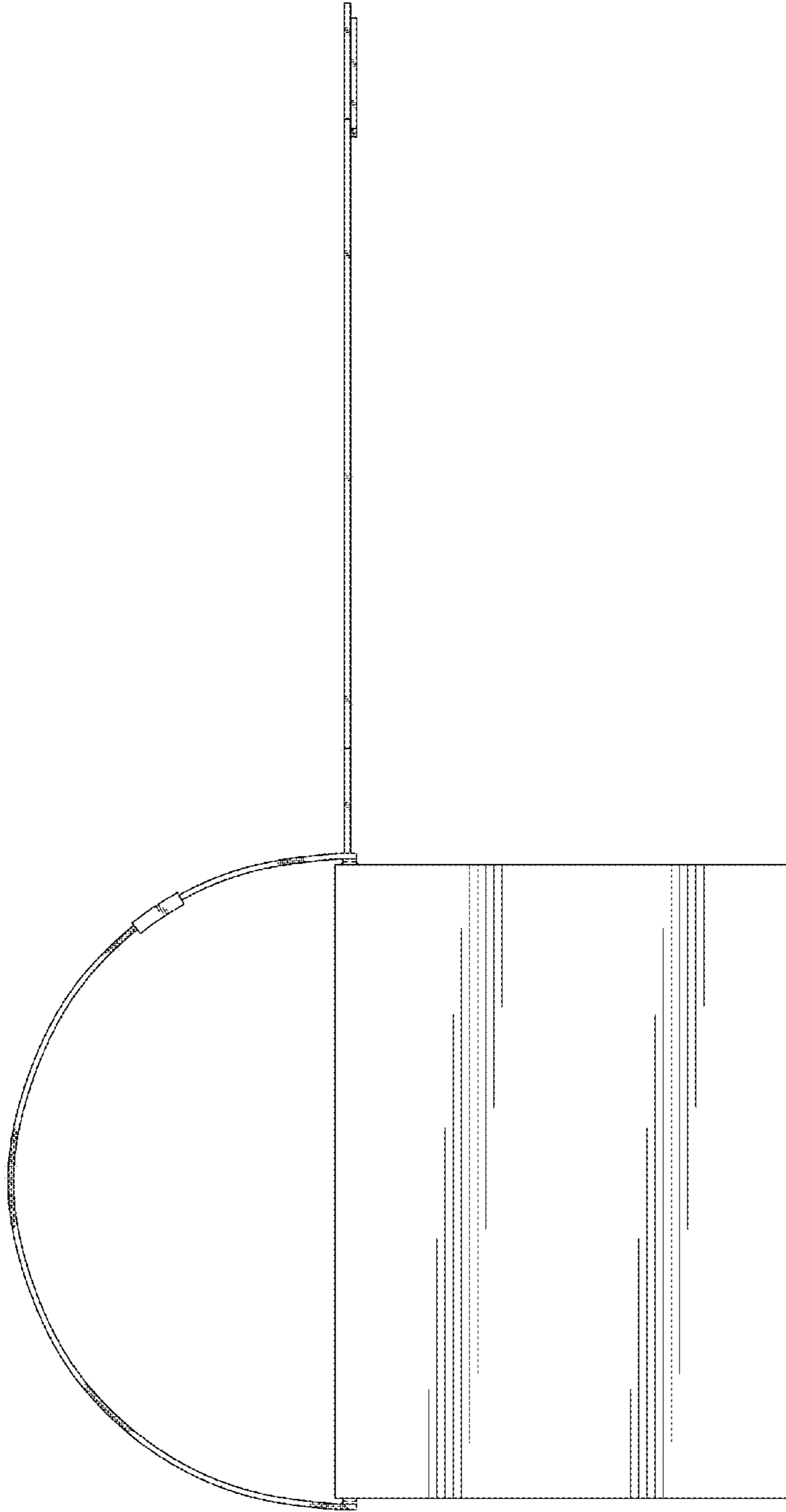


FIG. 5

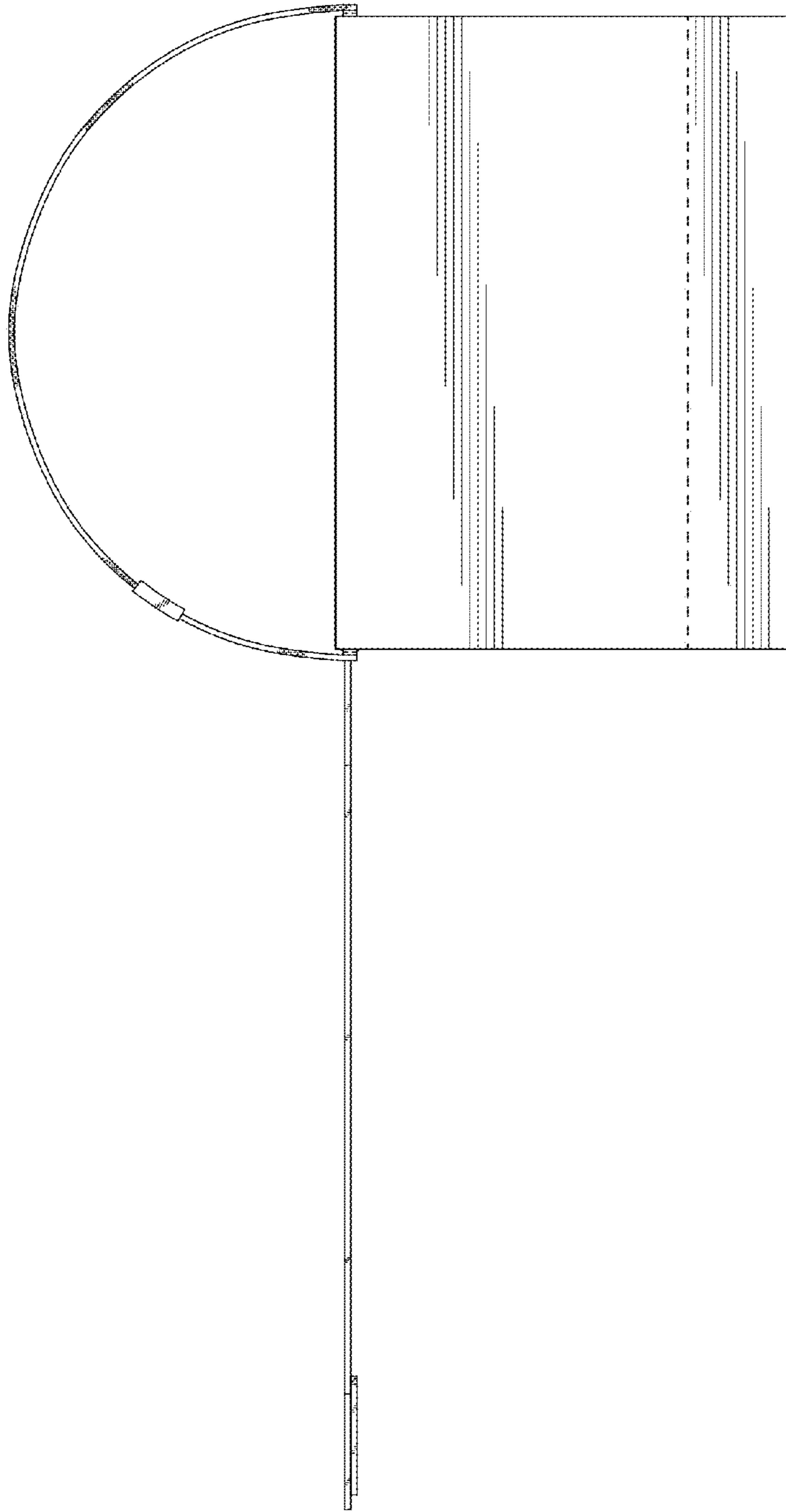


FIG. 6

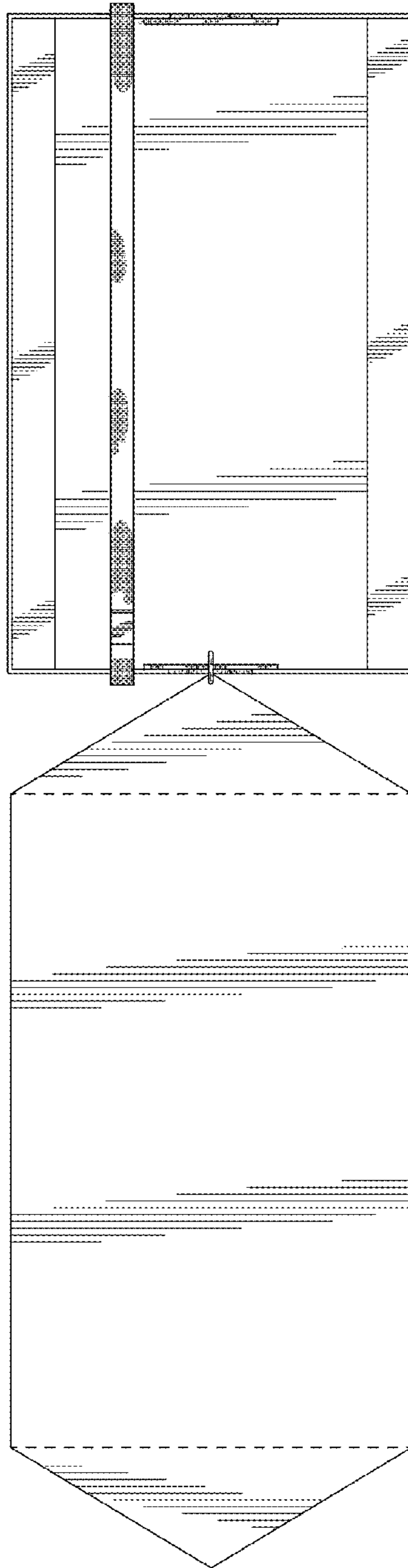


FIG. 7



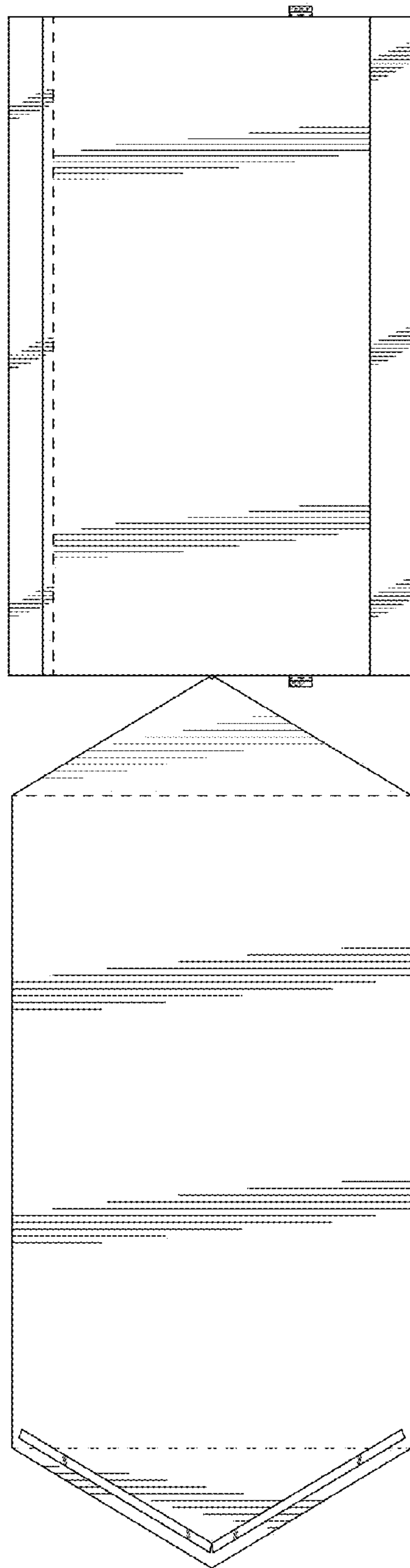


FIG. 8