



US00D765335S

(12) **United States Design Patent** (10) **Patent No.:** **US D765,335 S**
Cooper et al. (45) **Date of Patent:** **** Aug. 30, 2016**

- (54) **DRYING RACK**
(71) Applicant: **Polder Housewares, Inc.**, Oxford, CT (US)
(72) Inventors: **Kerry Cooper**, Pleasantville, NY (US); **George Calvin Scott**, New Fairfield, CT (US); **Thomas J. Campanelli**, Berlin, CT (US); **Robert Pedros**, Oxford, CT (US)
(73) Assignee: **Polder Products, LLC**, Oxford, CT (US)
(**) Term: **14 Years**
(21) Appl. No.: **29/520,037**
(22) Filed: **Mar. 10, 2015**
(51) **LOC (10) Cl.** **07-05**
(52) **U.S. Cl.**
USPC **D32/58**
(58) **Field of Classification Search**
USPC D32/55, 276, 3, 58; D6/510, 525; 211/41.5, 41.4, 41.3, 41.8, 195, 200; 361/679.4; 312/311, 333, 334.4; D7/354, 629, 368
CPC F26B 25/18; F26B 9/003; A61L 9/20; A47F 3/08; A47B 43/00; D06F 57/12
See application file for complete search history.

- (56) **References Cited**
U.S. PATENT DOCUMENTS
4,588,154 A 5/1986 Basore
4,940,232 A 7/1990 Chen
(Continued)

- FOREIGN PATENT DOCUMENTS
JP H08187395 A 7/1996
JP 2010057719 A 3/2010

OTHER PUBLICATIONS
2007 Good Design Award, "Sekisui kakal laundry stand", Award No. 07A02023, Aug. 10, 2007, accessed online at URL: <http://www.g-mark.org/award/describe/32989?locale=en>.

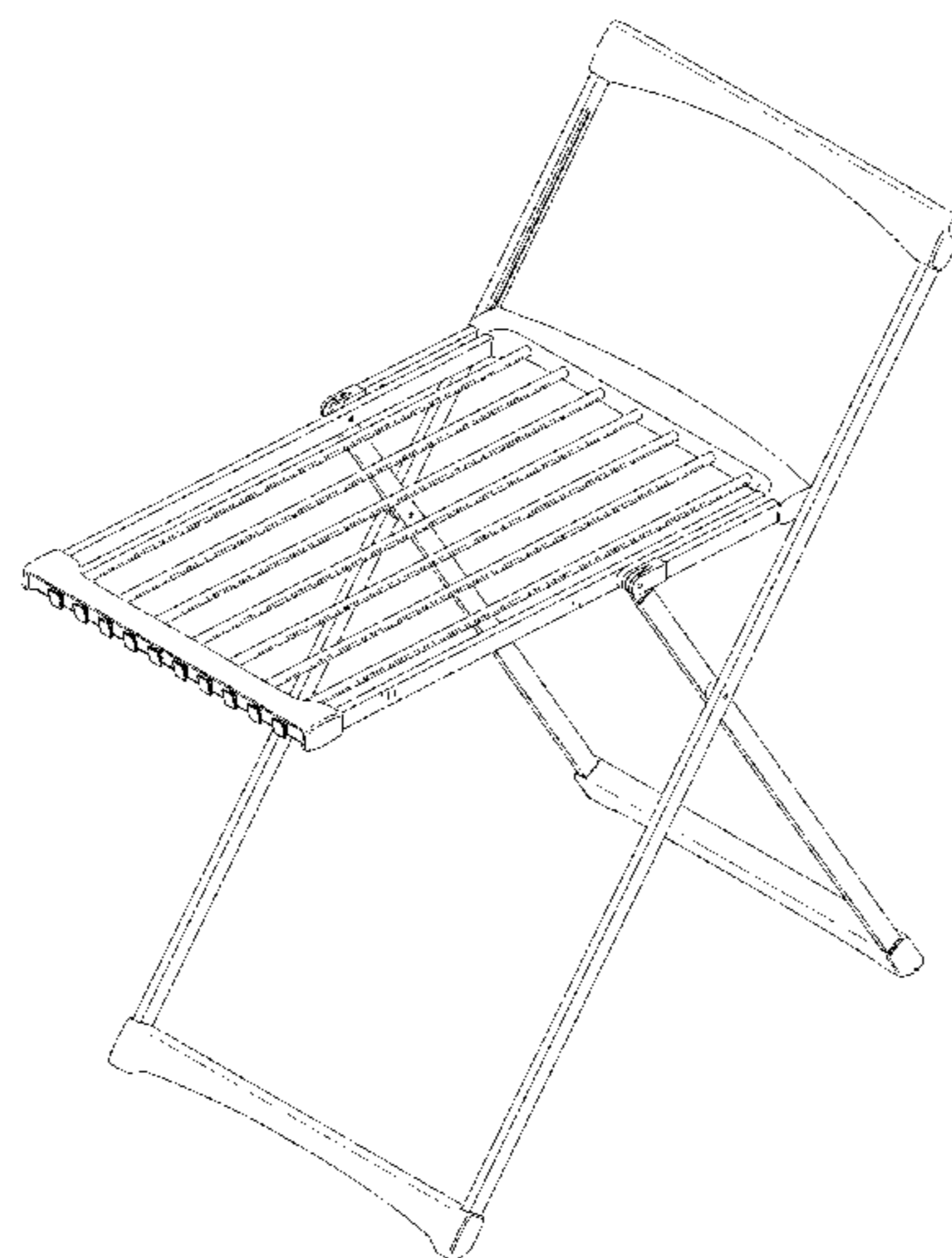
Primary Examiner — Austin Murphy
(74) *Attorney, Agent, or Firm* — Duane Morris LLP

(57) **CLAIM**
The ornamental design for a drying rack, as shown and described in the Figures.

DESCRIPTION

FIG. 1 is an isometric view of the drying rack in an extended position;
FIG. 2 is a front elevation view of the drying rack in the extended position;
FIG. 3 is a rear side view of the drying rack in the extended position;
FIG. 4 is a side view of the drying rack in the extended position;
FIG. 5 is a side view of the drying rack from the opposite side illustrated in FIG. 3 in the extended position;
FIG. 6 is a top side view of the drying rack in the extended position;
FIG. 7 is a bottom side view of the drying rack;
FIG. 8 is an isometric view of the drying rack in a collapsed position;
FIG. 9 is a front elevation view of the drying rack in the collapsed position;
FIG. 10 is a rear side view of the drying rack in the collapsed position;
FIG. 11 is a side view of the drying rack in the collapsed position;
FIG. 12 is a side view of the drying rack from the opposite side illustrated in FIG. 11 rack in the collapsed position;
FIG. 13 is a top side view of the drying rack in the collapsed position;
FIG. 14 is a bottom side view of the drying rack in the collapsed position; and,
FIG. 15 is an isometric view of the drying rack in a further expanded position.

1 Claim, 13 Drawing Sheets



(56)

References Cited

U.S. PATENT DOCUMENTS

5,213,221 A *	5/1993	Raye, Sr.	D06F 57/08 211/181.1	8,286,810 B2 *	10/2012	Sabounjian	D06F 57/10 211/200
5,507,577 A	4/1996	Fowler		D673,217 S *	12/2012	Kong	D19/113
5,806,207 A	9/1998	Merrigan		D687,203 S *	7/2013	Long	D32/58
6,059,126 A	5/2000	Miller		8,602,229 B2 *	12/2013	Raghunathan	D06F 53/04 211/119.01
D442,394 S *	5/2001	Walker	D6/683	D714,080 S *	9/2014	Wehner	D6/675.2
6,394,292 B1	5/2002	Sabounjian		D718,511 S *	11/2014	Ouyang	D32/58
6,471,236 B1	10/2002	Eskridge		D720,907 S *	1/2015	Perez	D32/58
6,932,227 B1	8/2005	Glenn		D720,908 S *	1/2015	Ouyang	D32/58
D564,165 S *	3/2008	King	D32/58	D724,357 S *	3/2015	Lim	D6/675.1
7,748,682 B2	7/2010	Hunke et al.		D737,532 S *	8/2015	Oh	D32/58
7,789,251 B1 *	9/2010	Clark	A47B 43/00 108/180	D746,617 S *	1/2016	Wehner	D6/675.2
D642,757 S	8/2011	Delehey et al.		2003/0038457 A1	2/2003	Eskridge	
8,100,274 B2 *	1/2012	Trowsdale	D06F 57/08 211/195	2003/0136701 A1	7/2003	Giblin et al.	
				2007/0012638 A1	1/2007	Van Eijk	
				2008/0226204 A1	9/2008	Sabounjian et al.	
				2010/0307995 A1	12/2010	Davison, III et al.	
				2013/0228540 A1	9/2013	Oh	

* cited by examiner

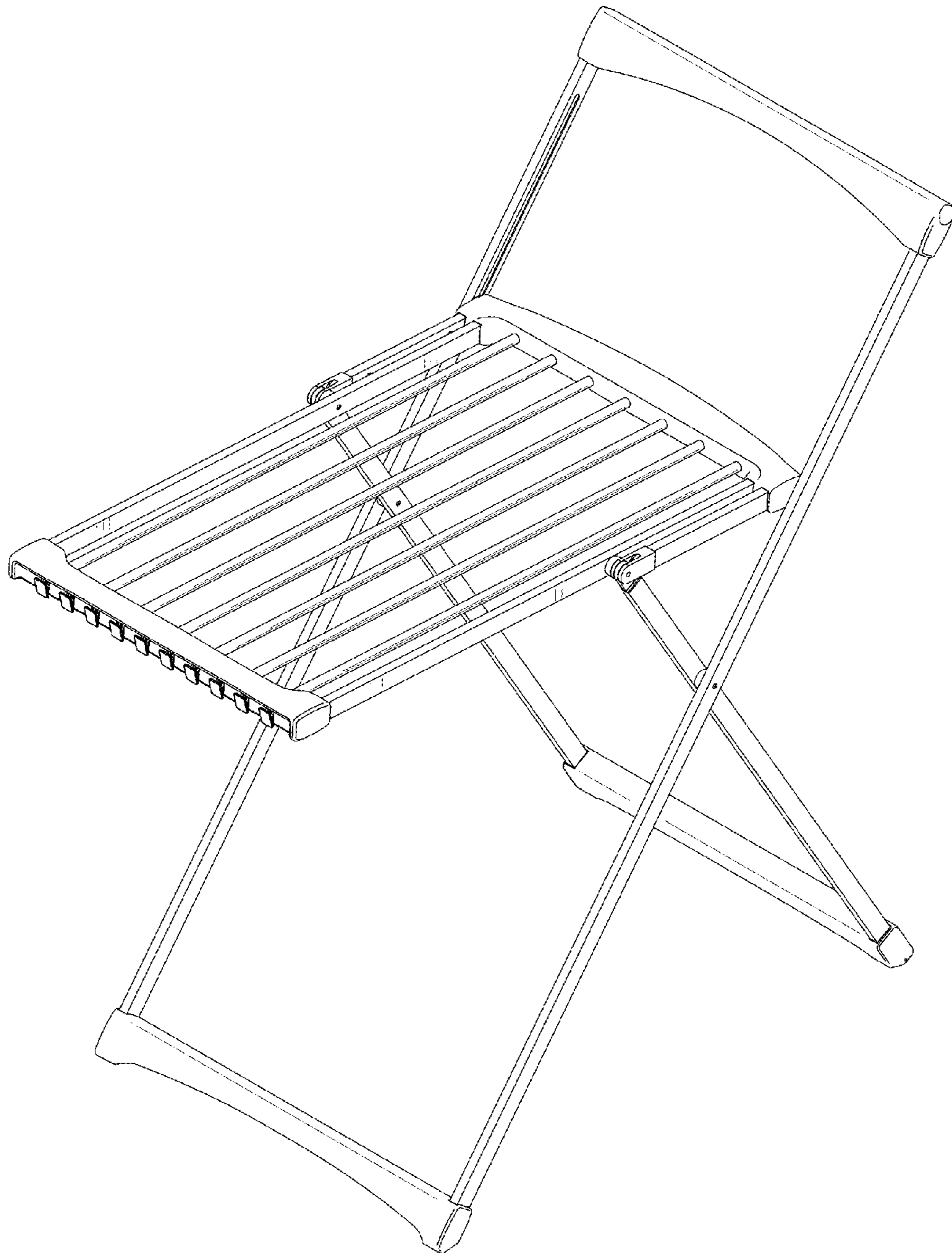


FIG. 1

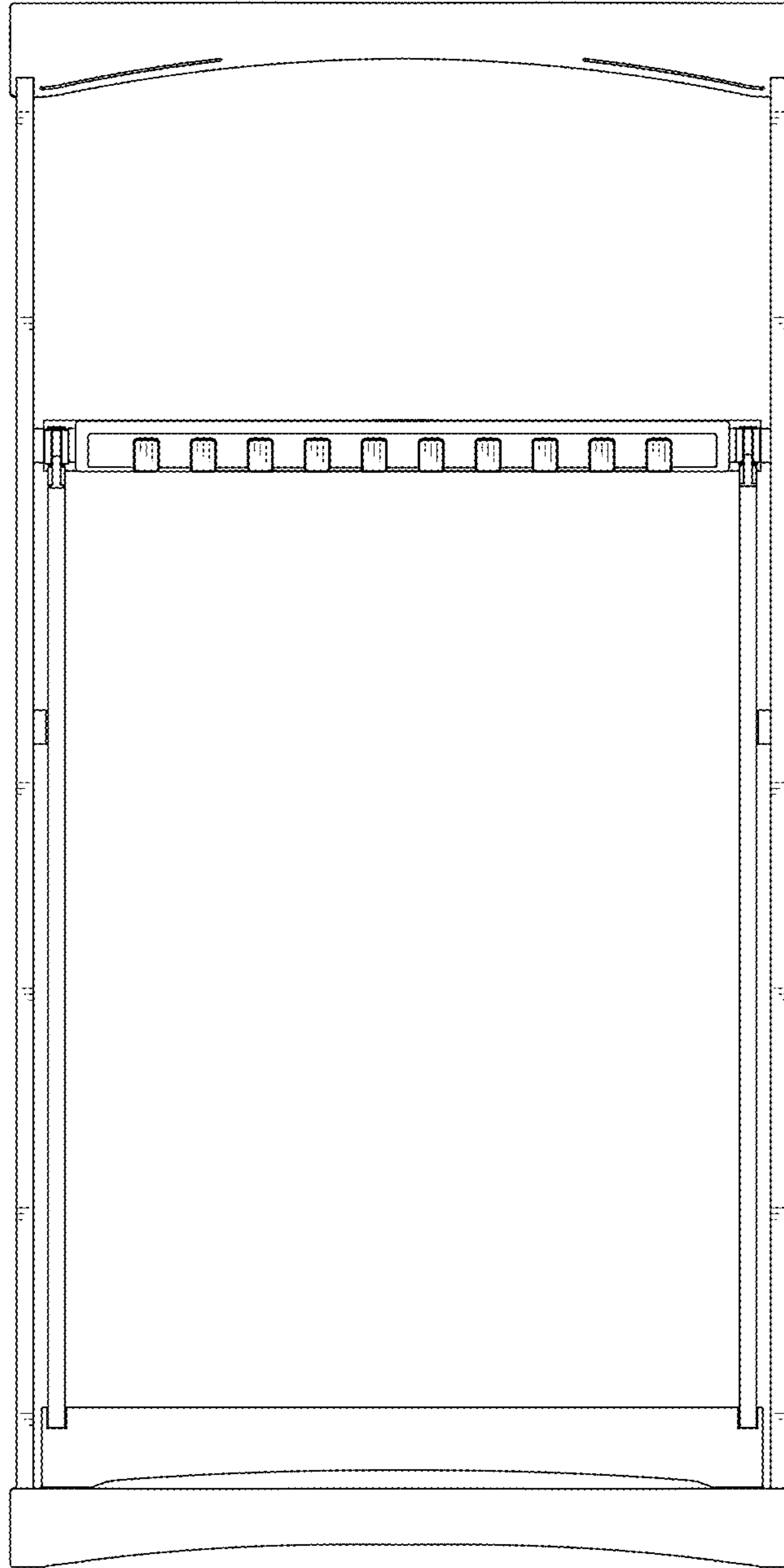


FIG. 2

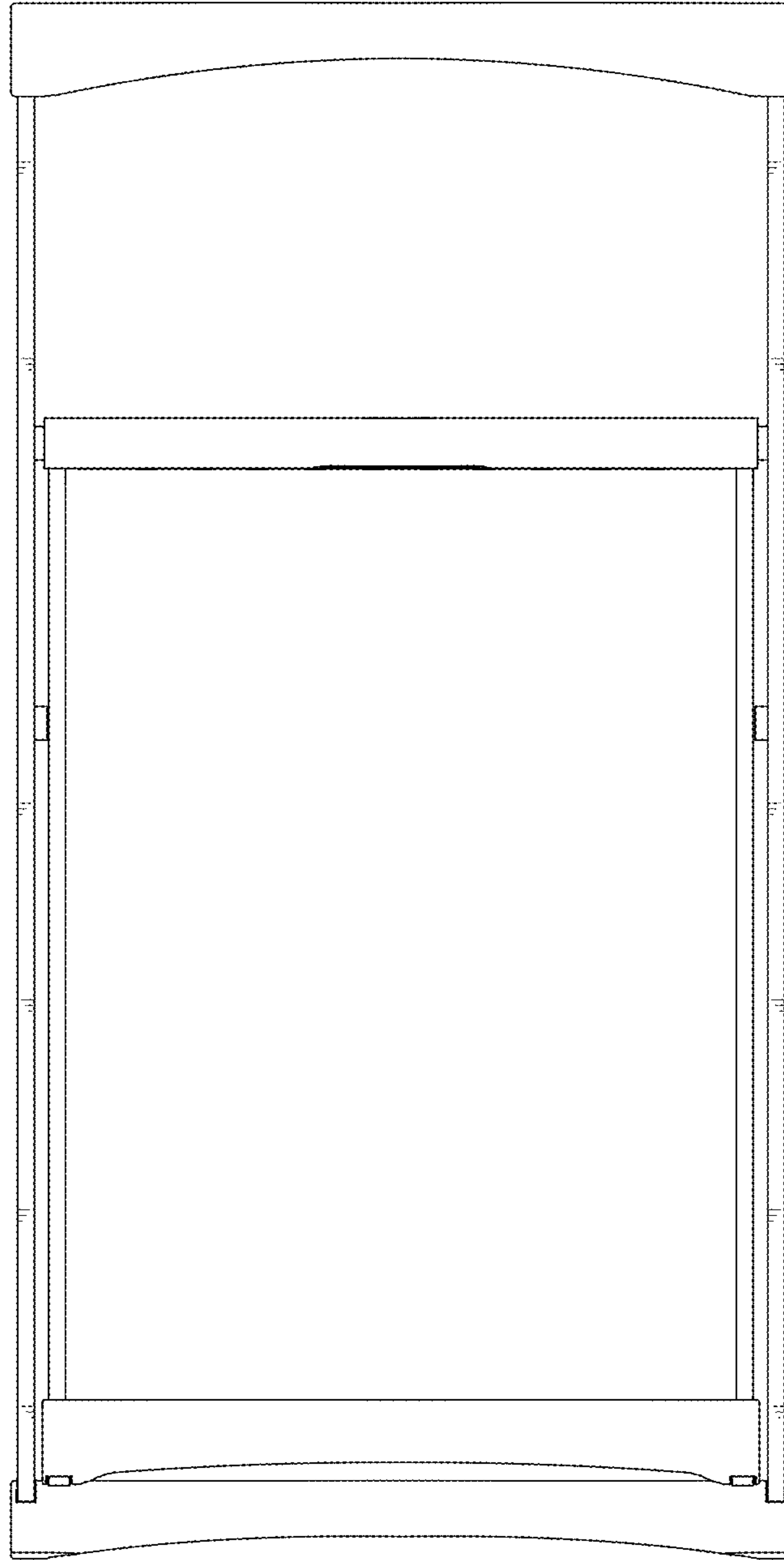


FIG. 3

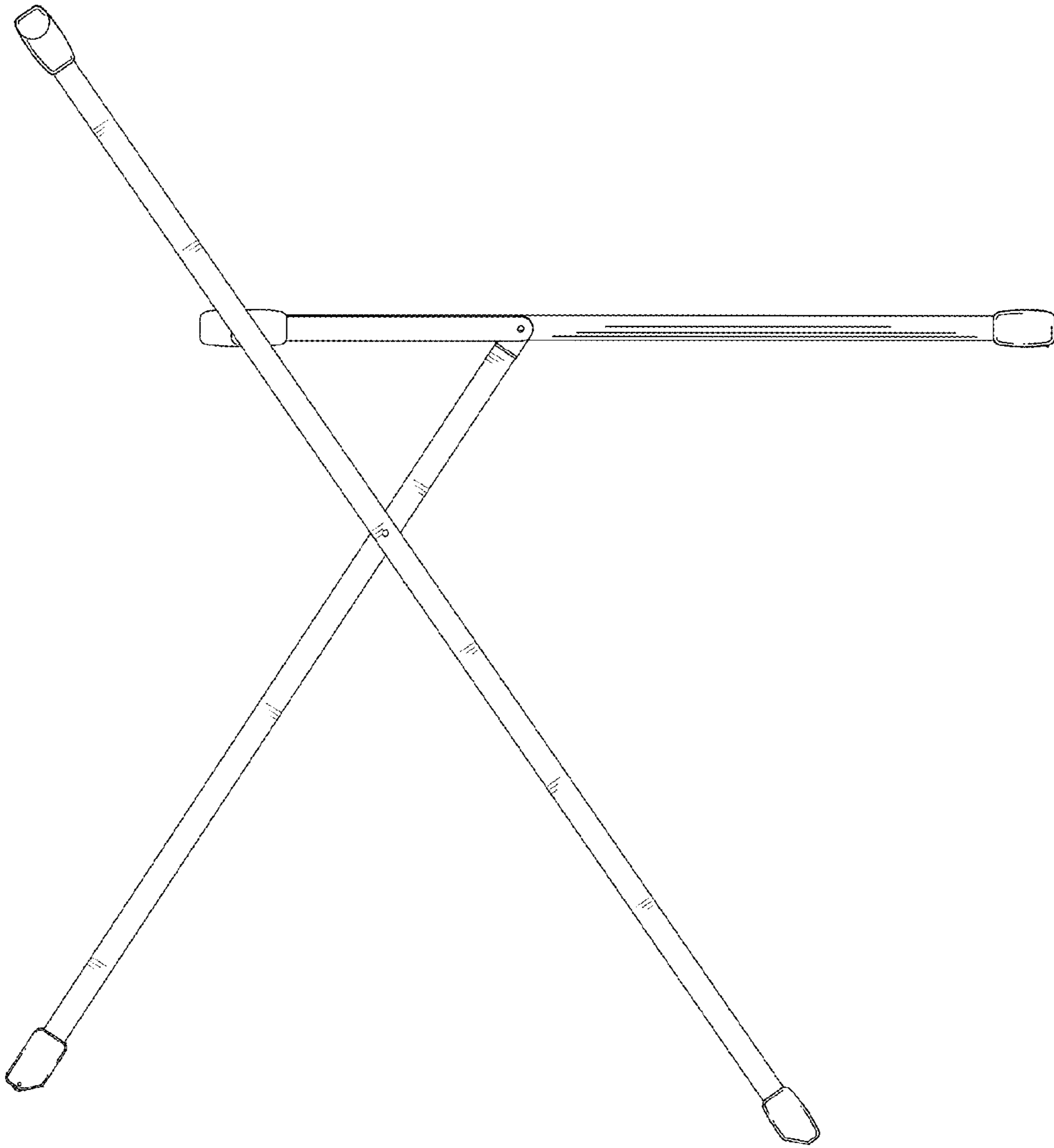


FIG. 4

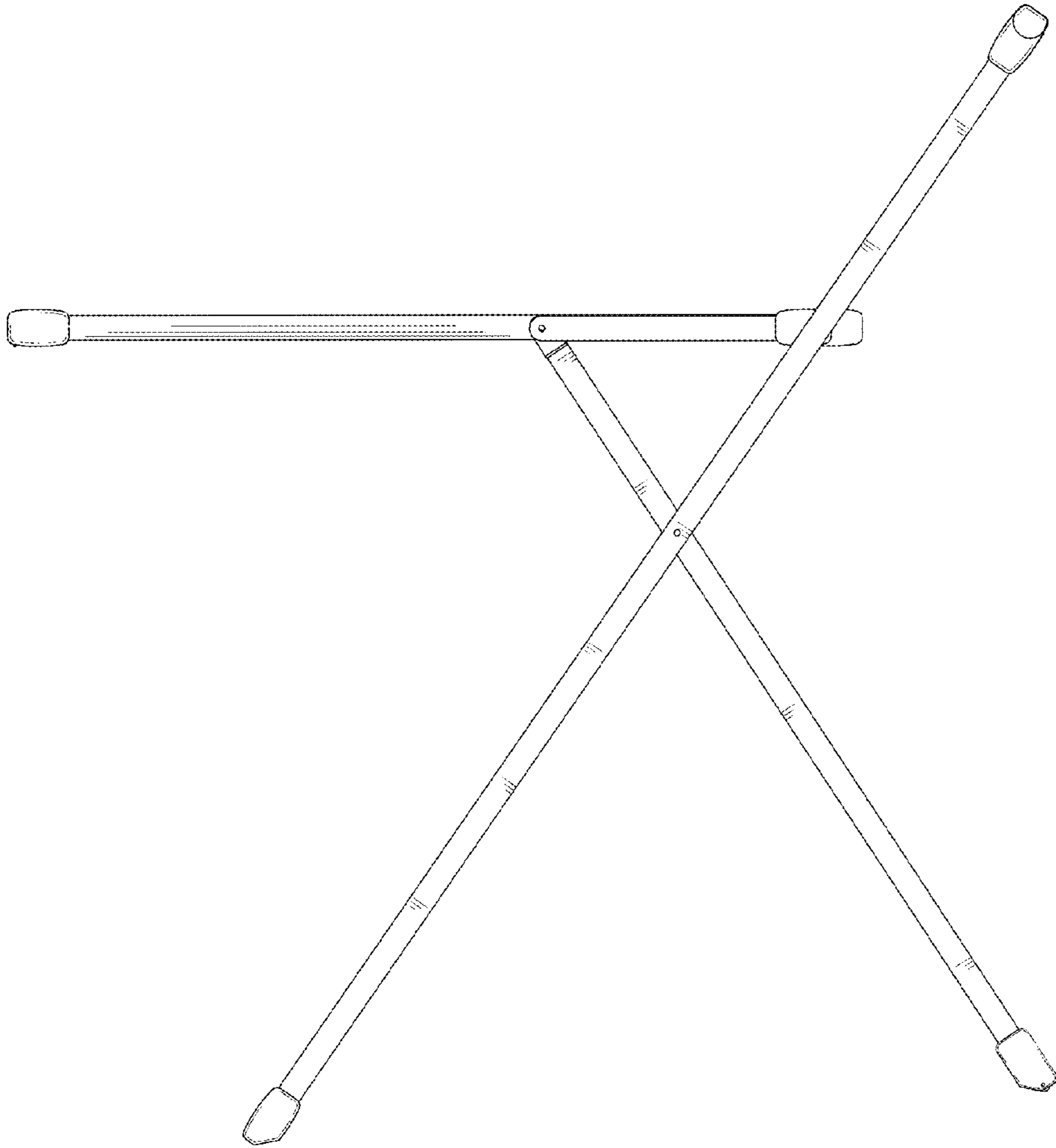


FIG. 5

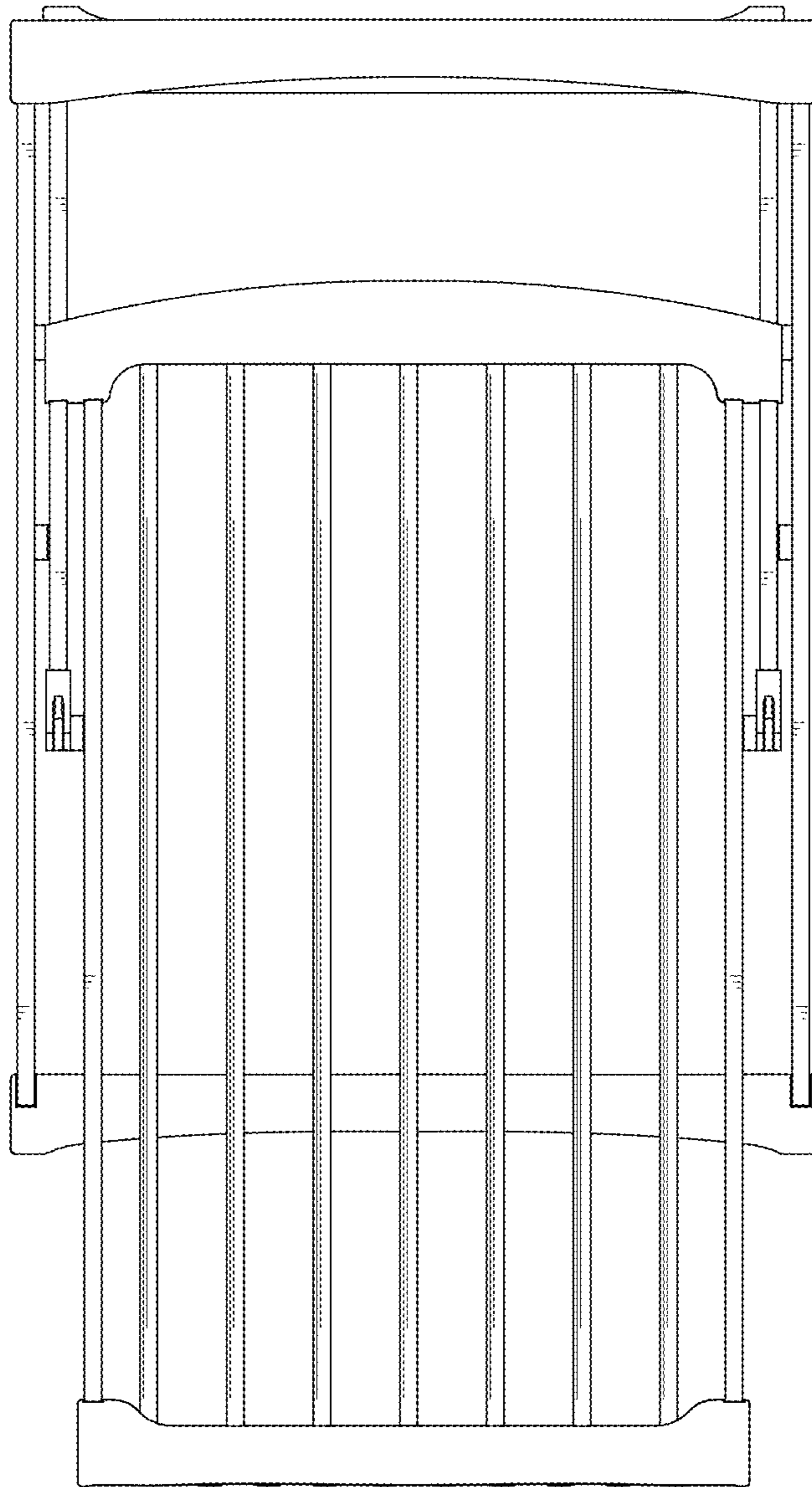


FIG. 6

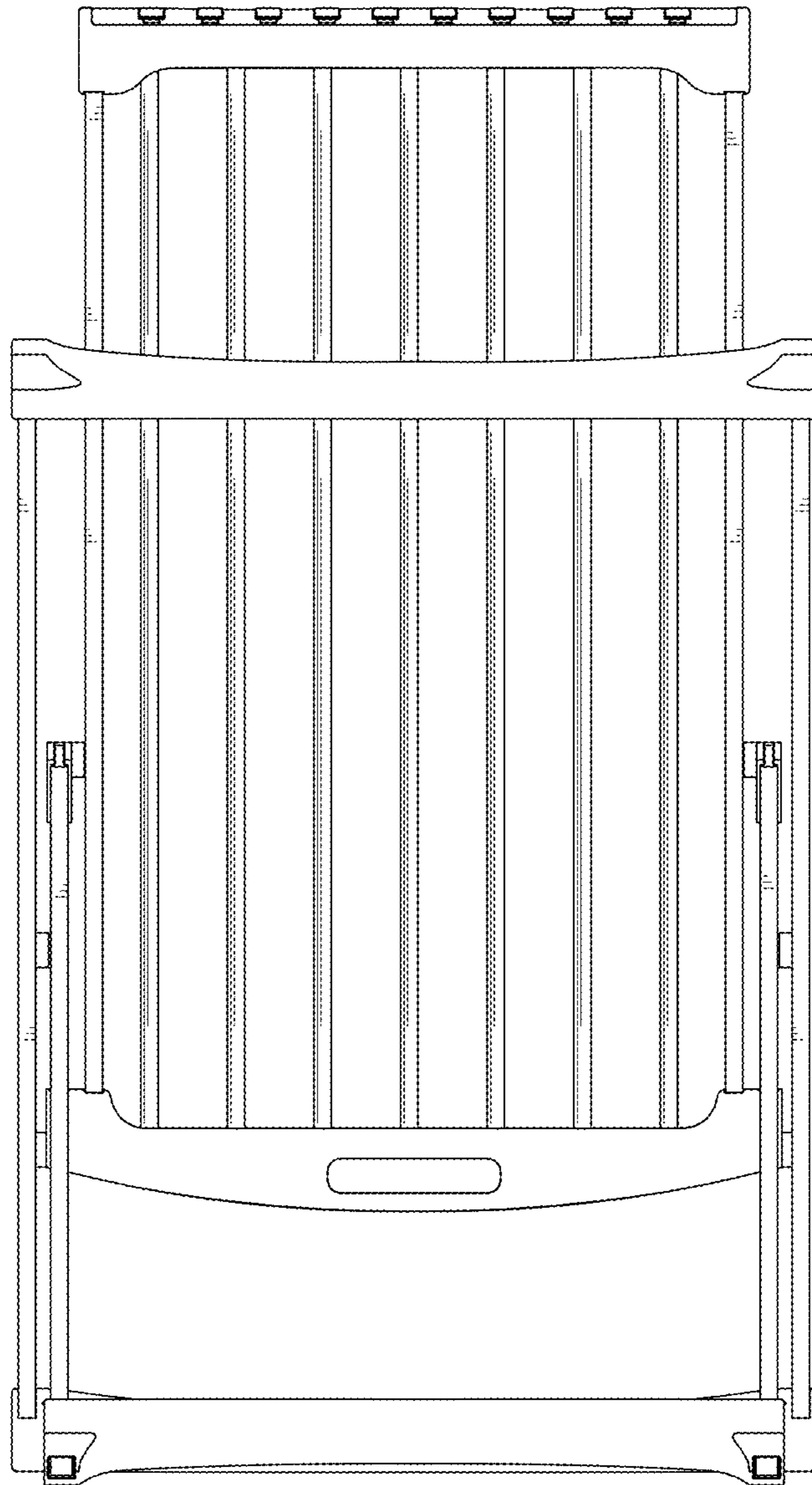


FIG. 7

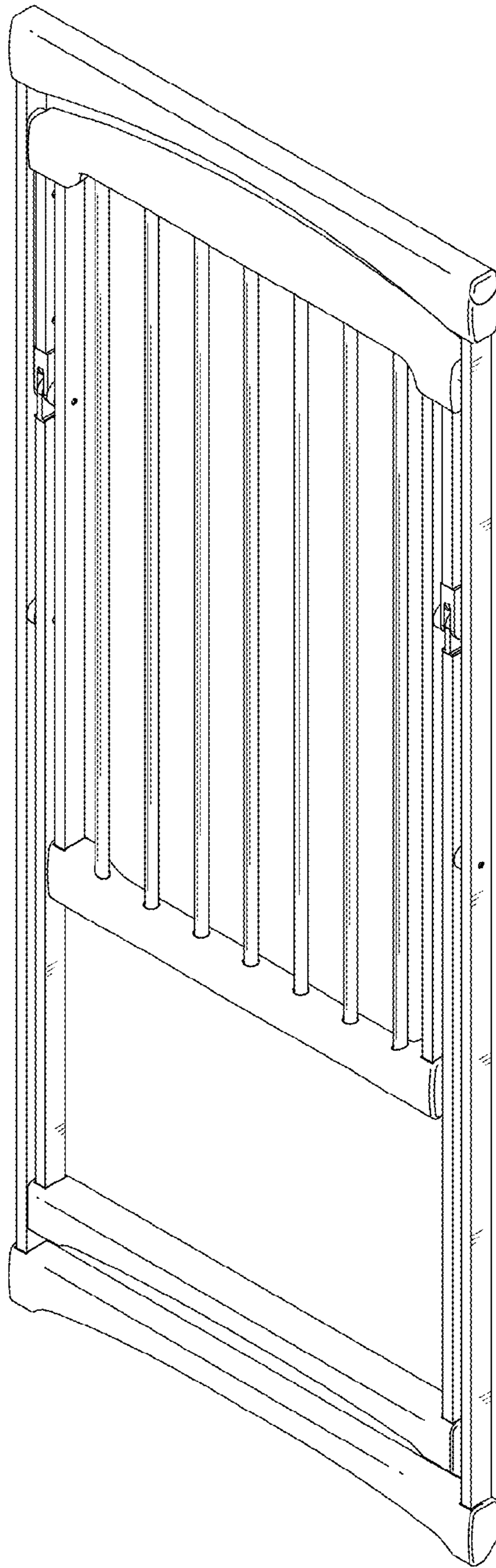


FIG. 8

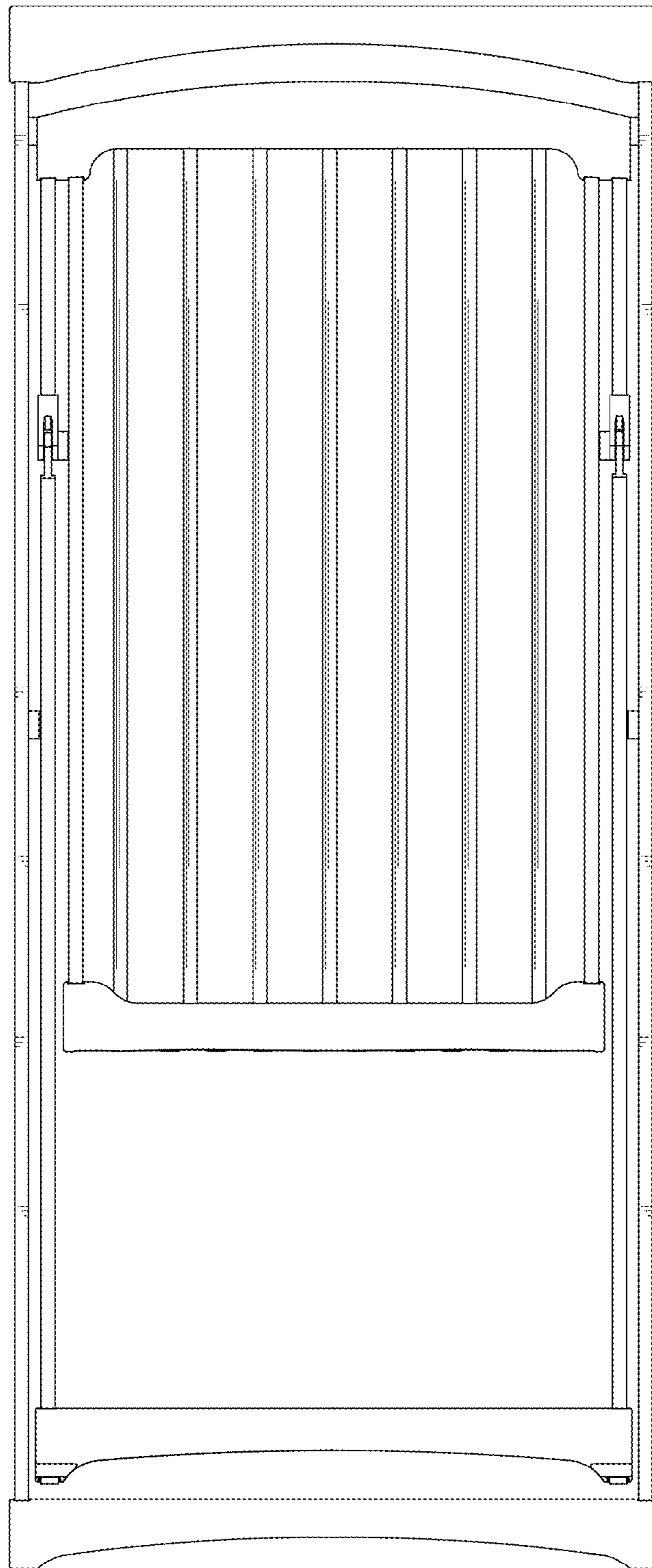


FIG. 9

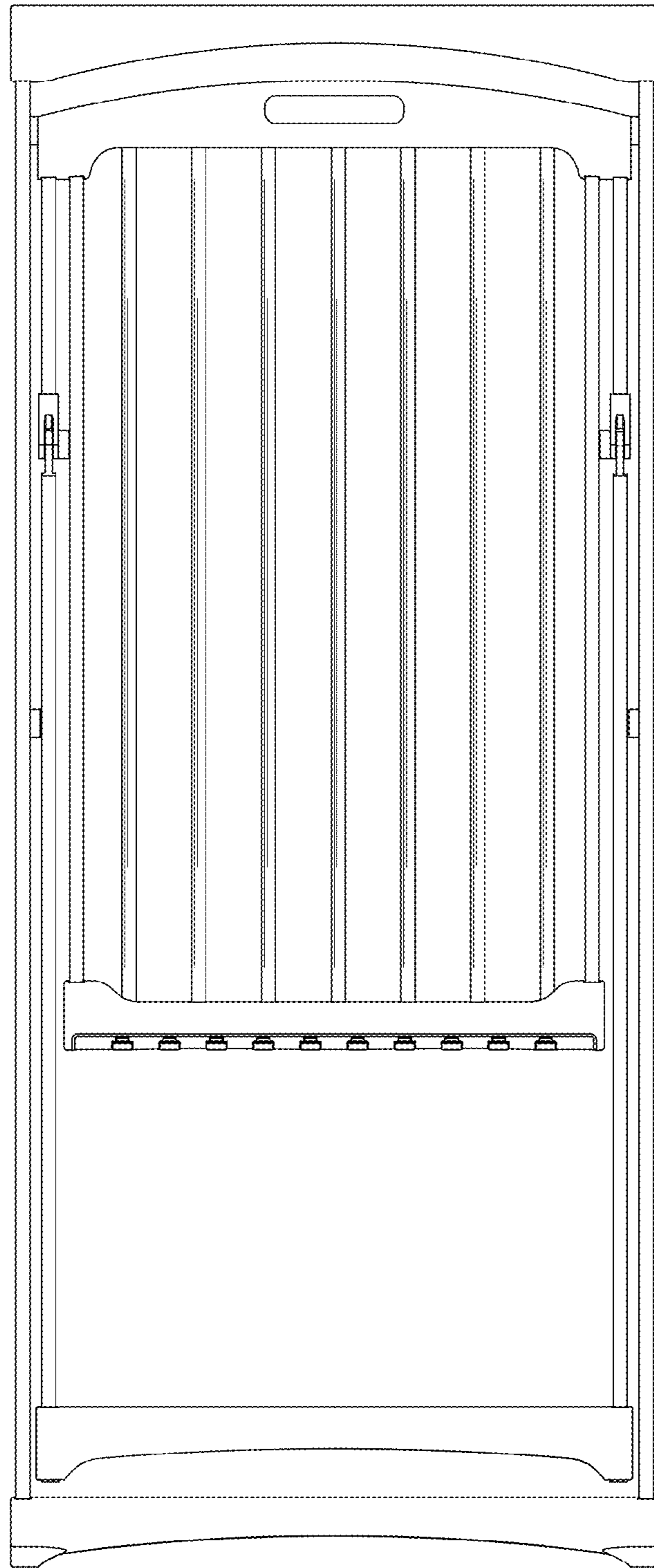


FIG. 10

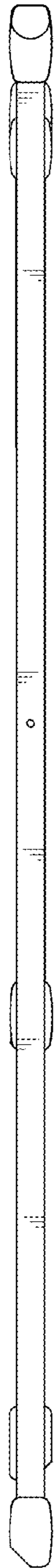


FIG. 11

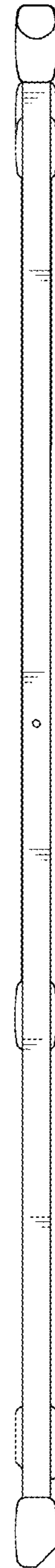


FIG. 12



FIG. 13



FIG. 14

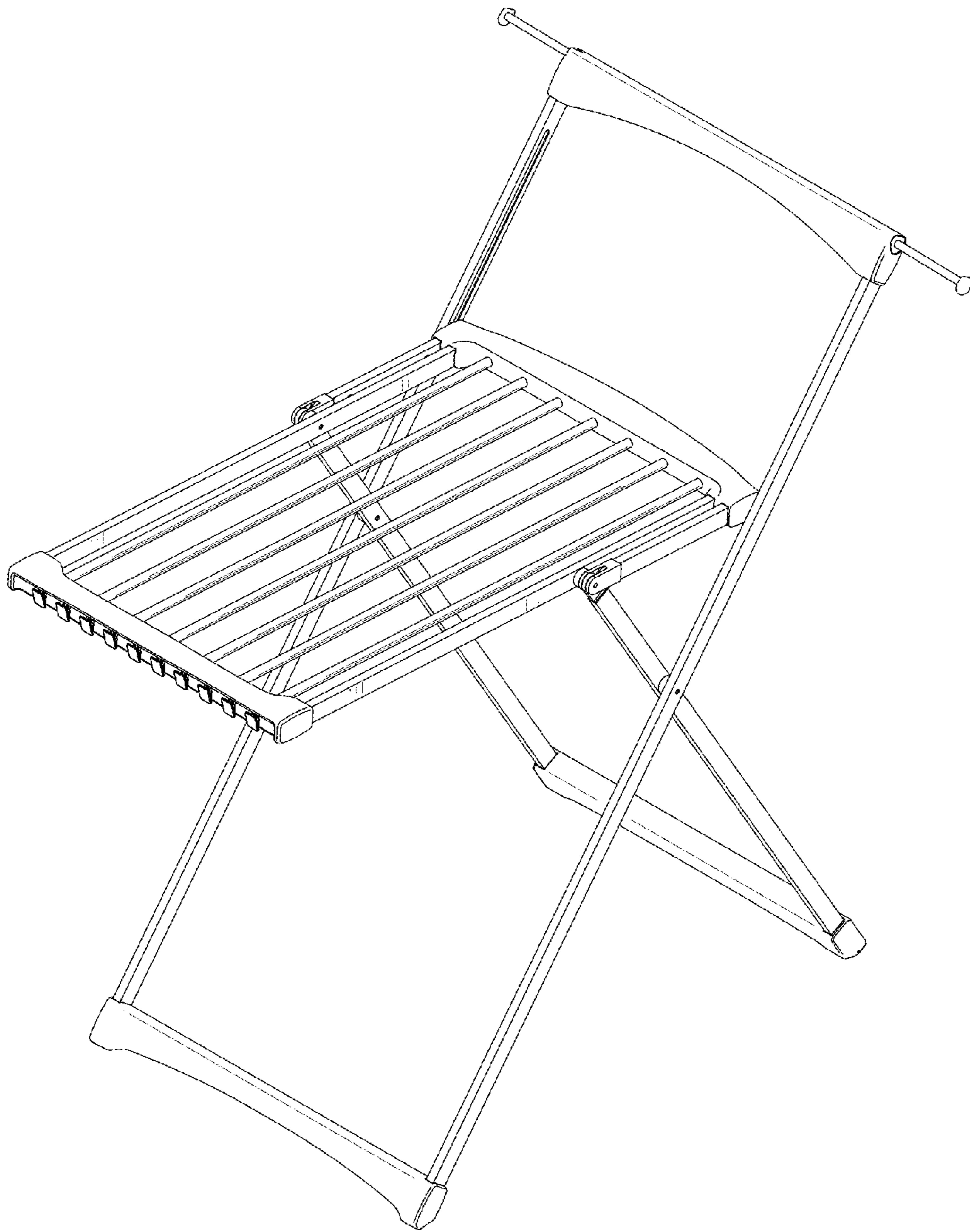


FIG. 15