



US00D765333S

(12) **United States Design Patent**
Lentine

(10) **Patent No.:** **US D765,333 S**

(45) **Date of Patent:** **** Aug. 30, 2016**

(54) **MOP BUCKET**

(71) Applicant: **Lou Lentine**, Chattanooga, TN (US)

(72) Inventor: **Lou Lentine**, Chattanooga, TN (US)

(**) Term: **15 Years**

(21) Appl. No.: **29/541,506**

(22) Filed: **Oct. 5, 2015**

(51) **LOC (10) Cl.** **07-07**

(52) **U.S. Cl.**
USPC **D32/53**

(58) **Field of Classification Search**
USPC D32/53-54; 15/260-264, 120.1;
220/904
CPC A47L 13/58
See application file for complete search history.

(56) **References Cited**

U.S. PATENT DOCUMENTS

D645,628 S *	9/2011	Tseng	D32/53
D723,758 S *	3/2015	Lentine	D32/53
D727,580 S *	4/2015	Lentine	D32/53
D728,882 S *	5/2015	Tsai	D32/53
D729,478 S *	5/2015	Zeng	D32/53
D741,561 S *	10/2015	Zeng	D32/53

* cited by examiner

Primary Examiner — Robin V Webster

(74) *Attorney, Agent, or Firm* — Larry D. Johnson

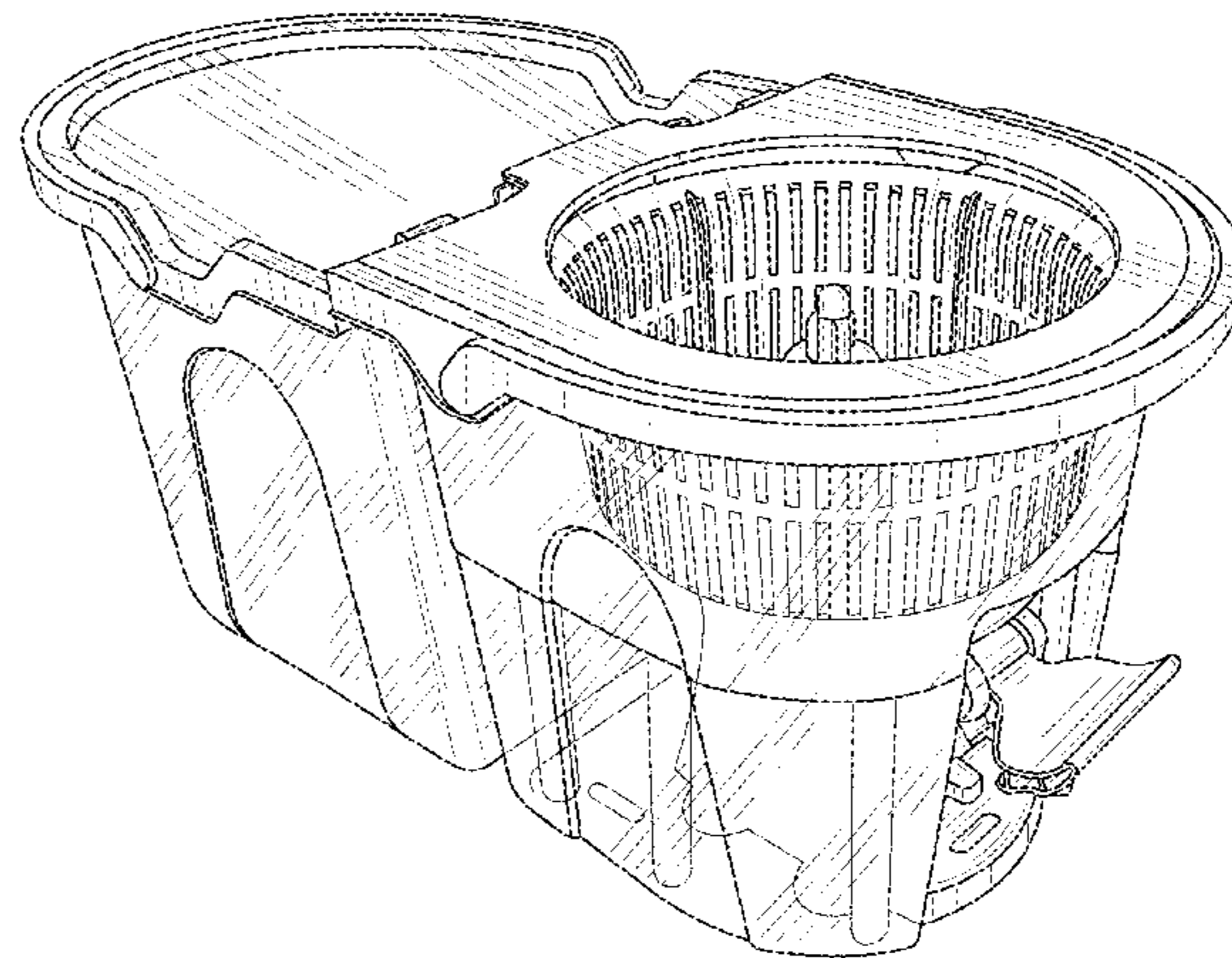
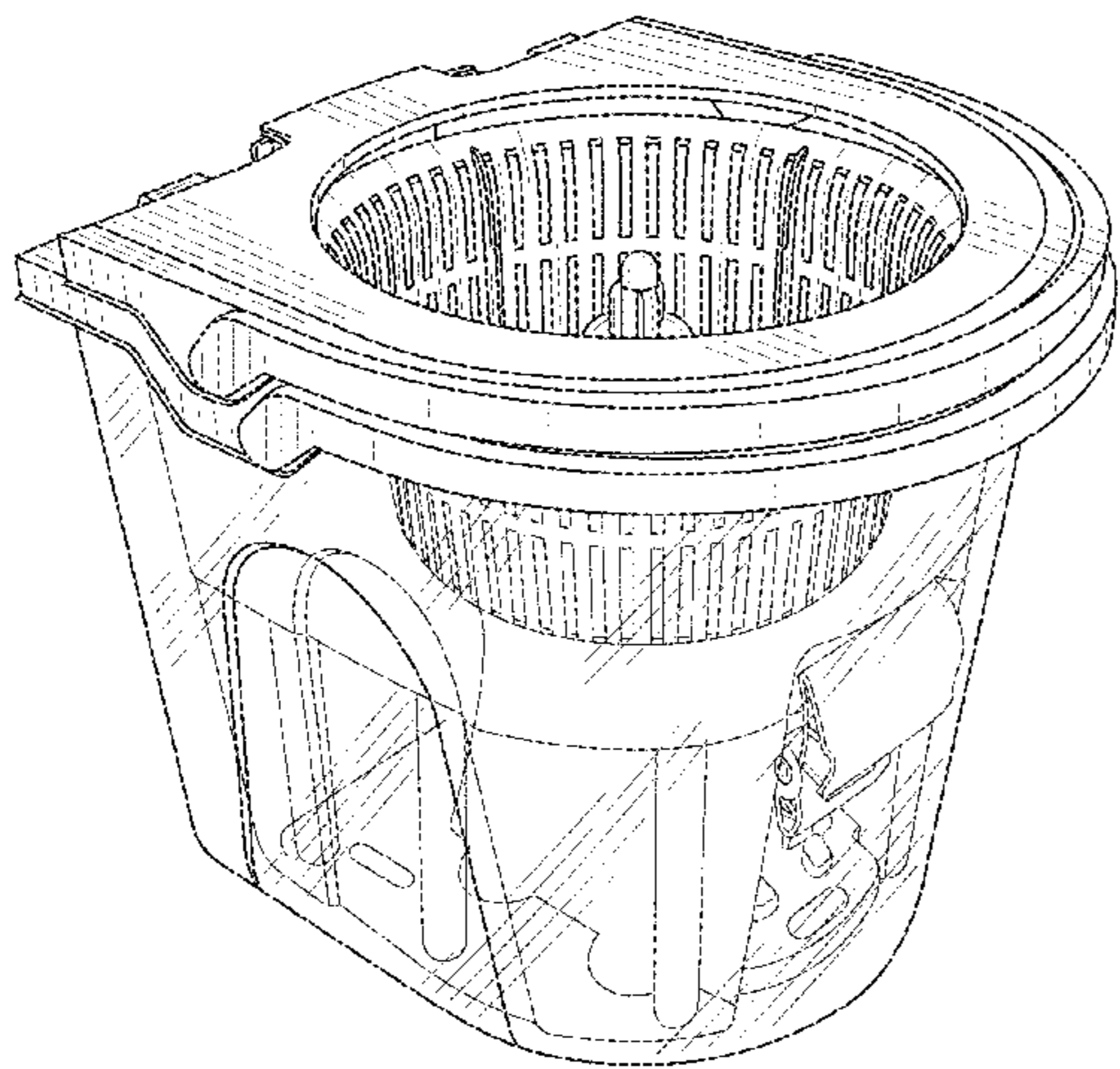
(57) **CLAIM**

The ornamental design for a mop bucket, as shown and described.

DESCRIPTION

FIG. 1 is a perspective view showing the strainer portion nested within the reservoir portion;
 FIG. 2 is a perspective view showing the strainer portion removed from the reservoir portion;
 FIG. 3 is a front elevation view of the strainer portion;
 FIG. 4 is a front elevation view of the reservoir portion;
 FIG. 5 is a rear elevation view of the strainer portion;
 FIG. 6 is a rear elevation view of the reservoir portion;
 FIG. 7 is a left side elevation view of the strainer portion;
 FIG. 8 is a left side elevation view of the reservoir portion;
 FIG. 9 is a right side elevation view of the strainer portion;
 FIG. 10 is a right side elevation view of the reservoir portion;
 FIG. 11 is a top view of the strainer portion;
 FIG. 12 is a top view of the reservoir portion;
 FIG. 13 is a bottom view of the strainer portion;
 FIG. 14 is a bottom view of the reservoir portion; and,
 FIG. 15 is a perspective view showing the strainer portion attached to the reservoir portion in back-to-back relationship.

1 Claim, 9 Drawing Sheets



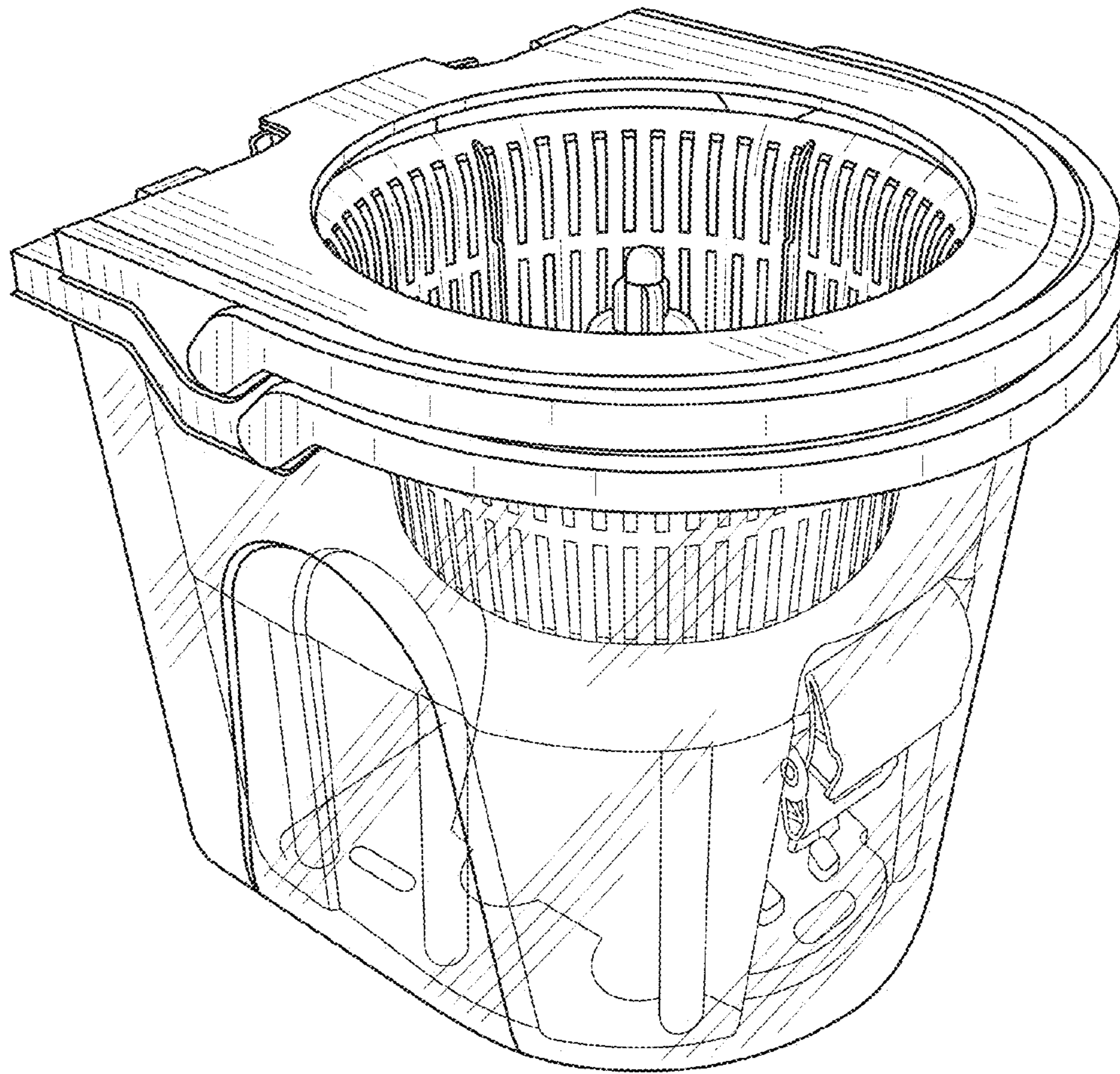
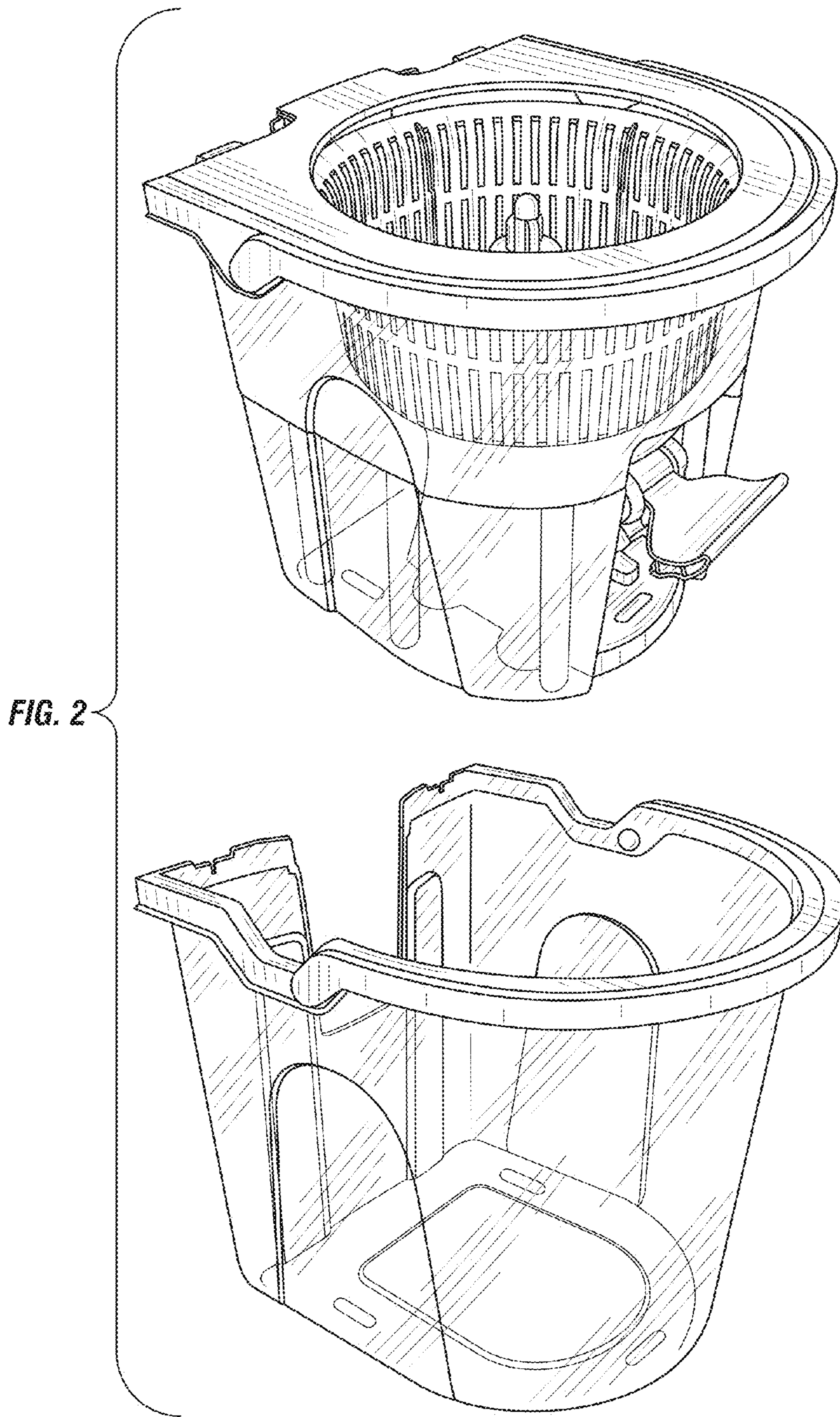


FIG. 1



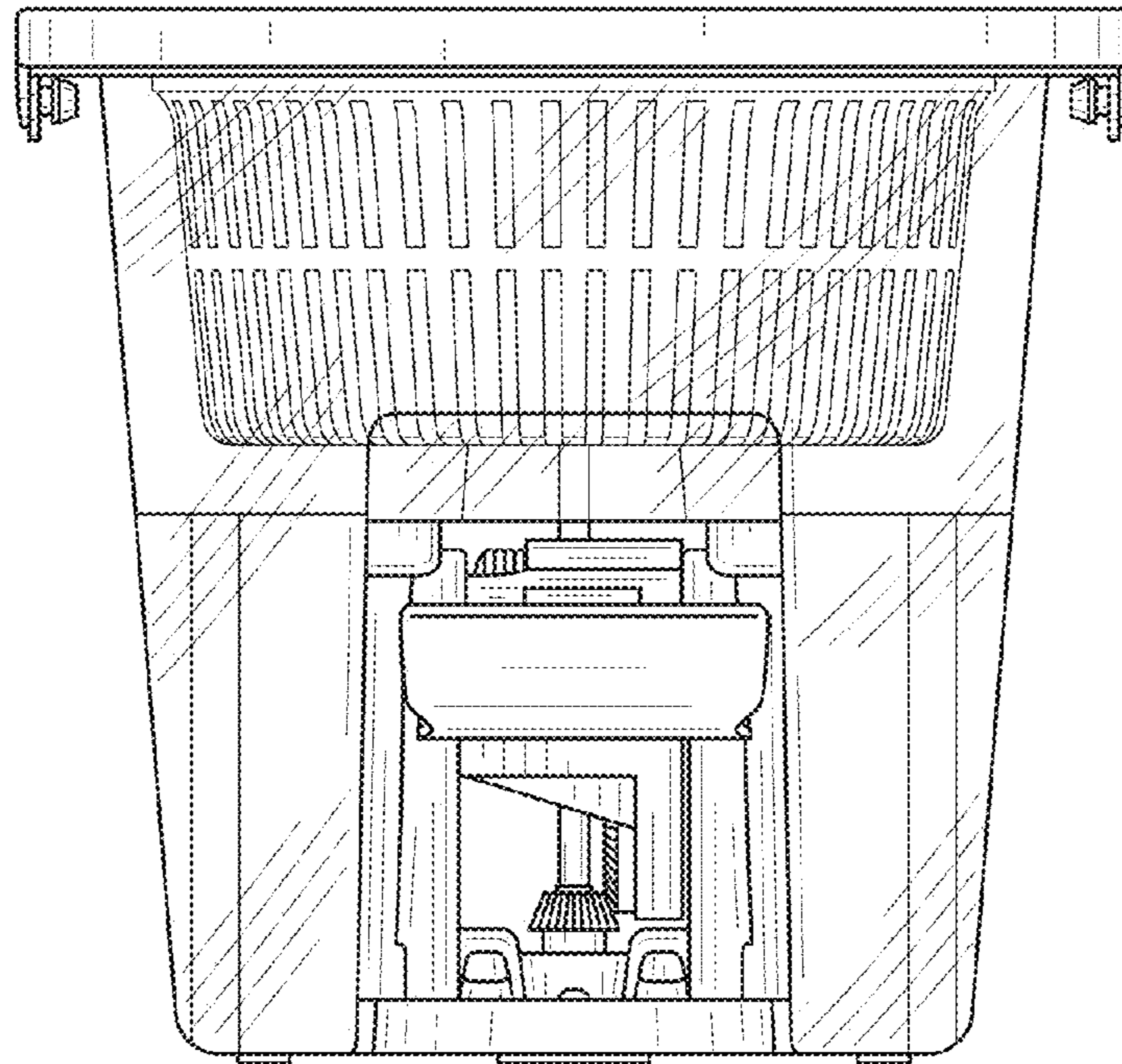


FIG. 3

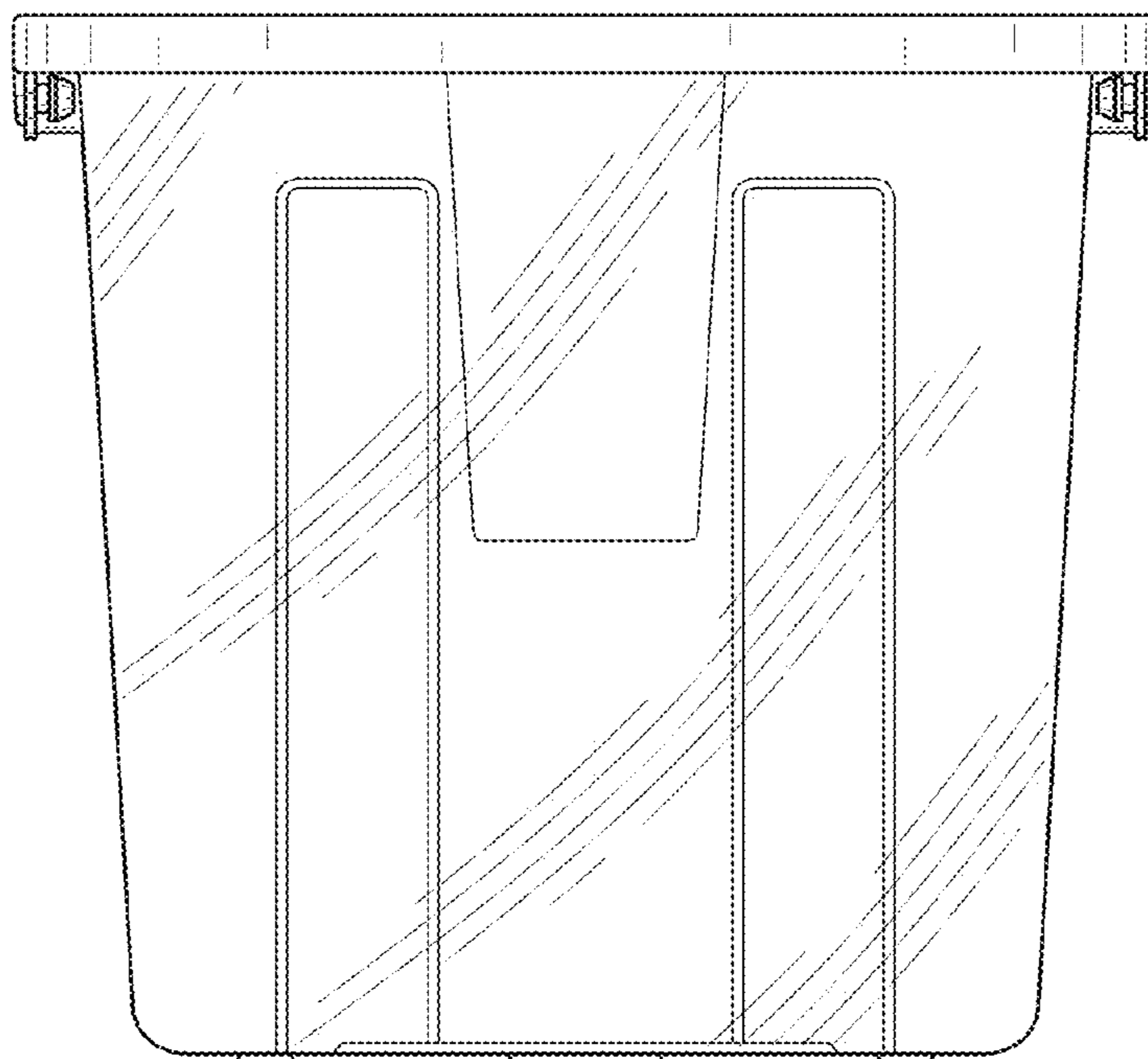


FIG. 4

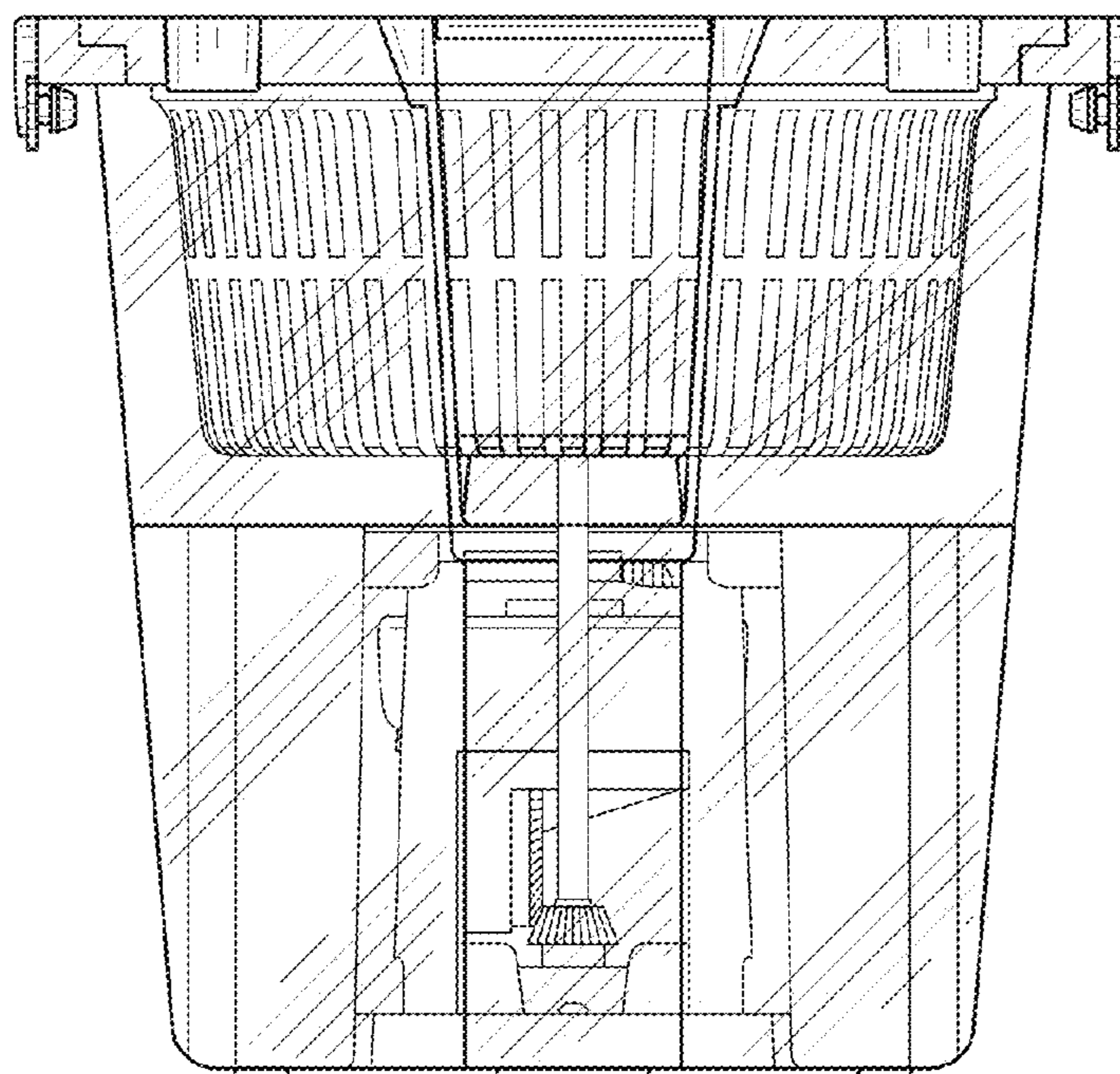


FIG. 5

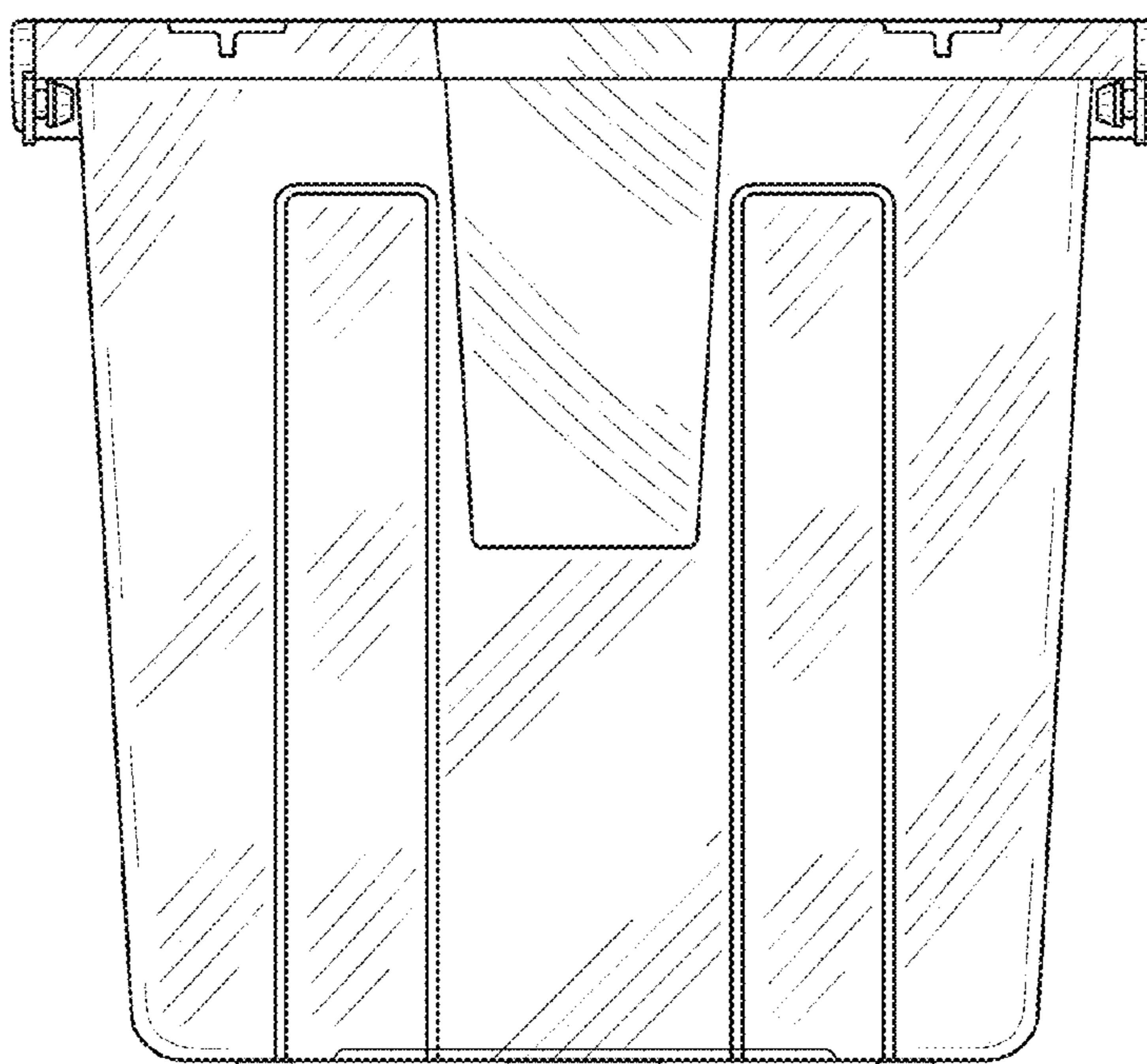


FIG. 6

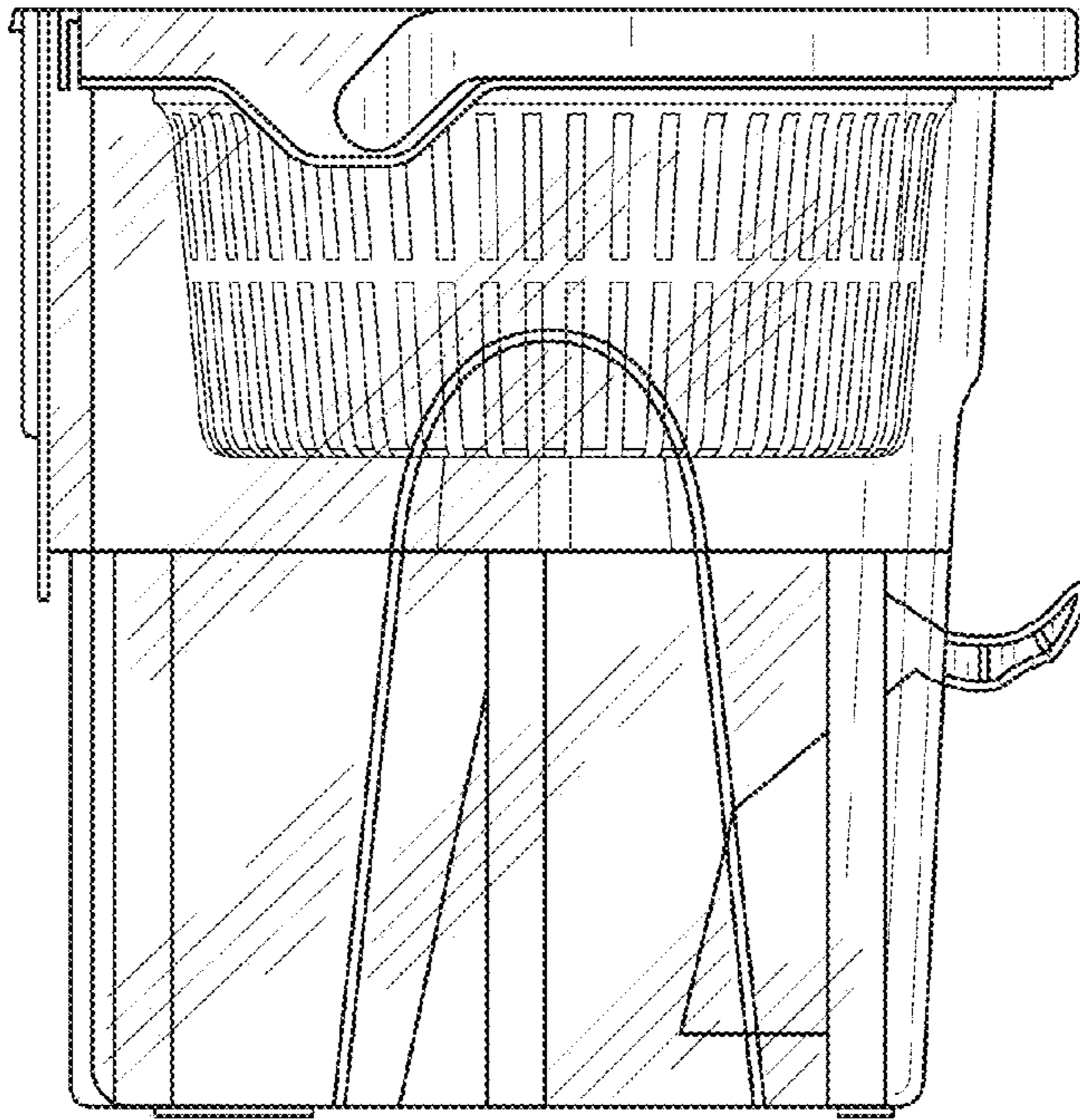


FIG. 7

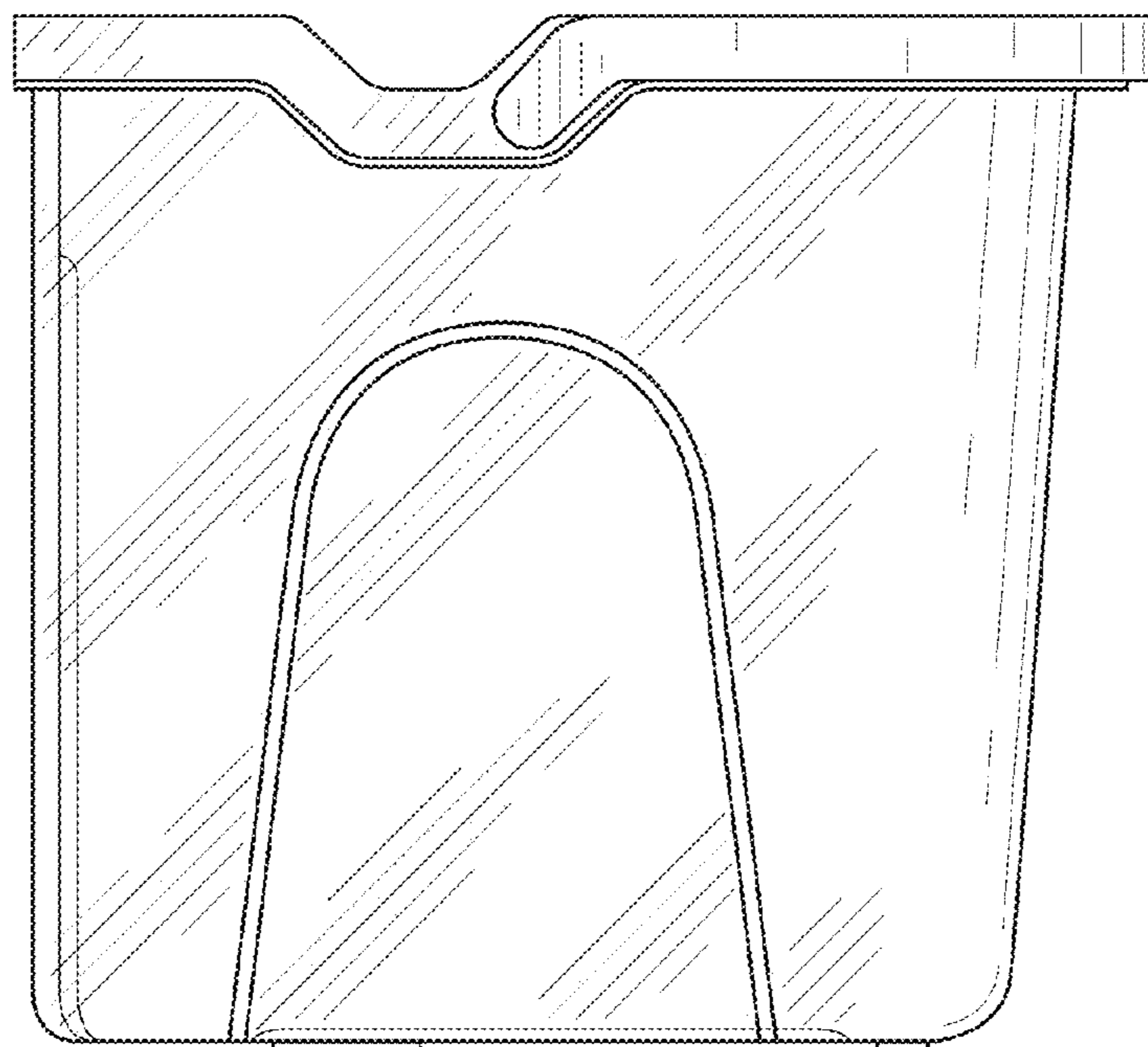


FIG. 8

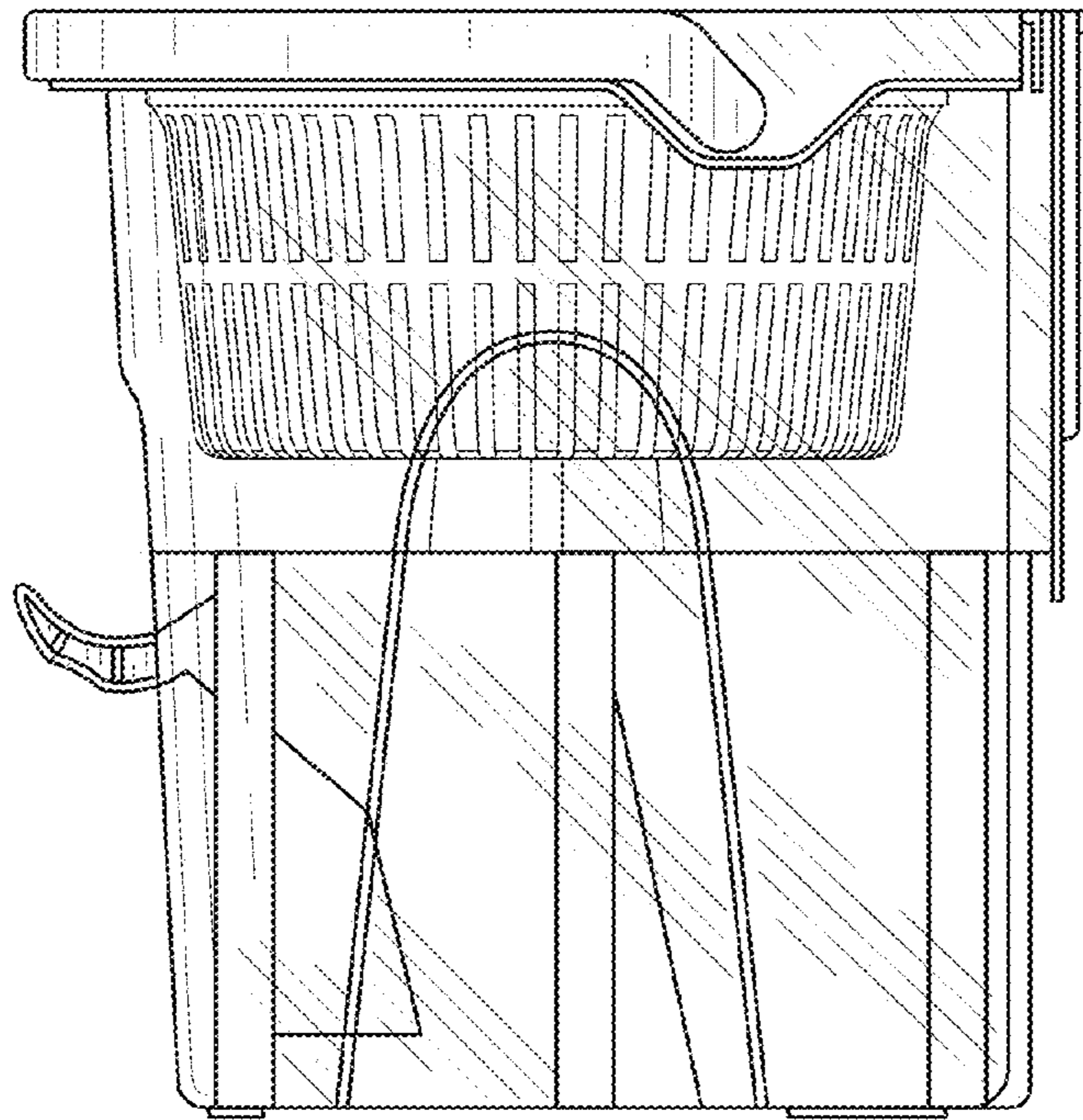


FIG. 9

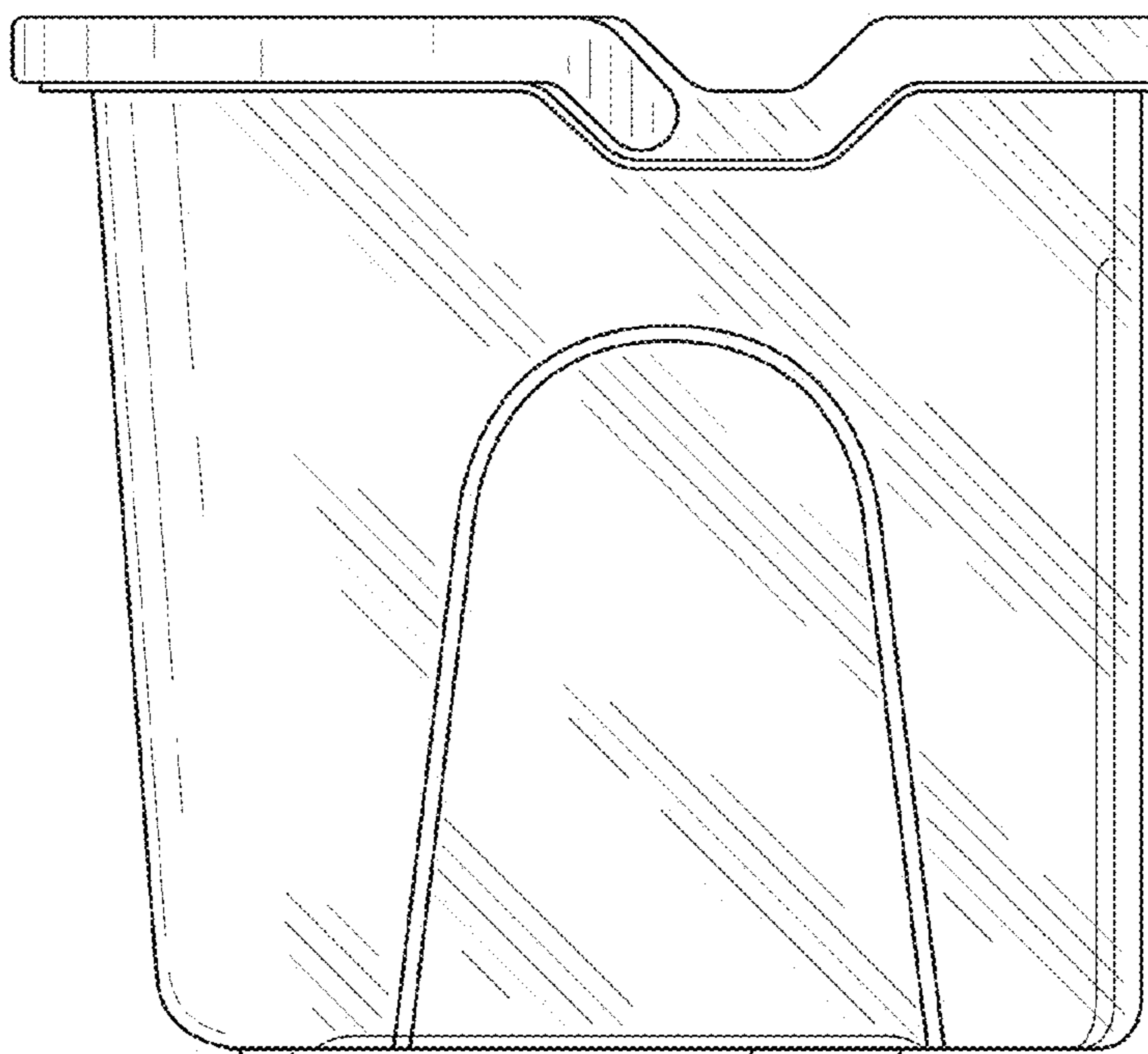


FIG. 10

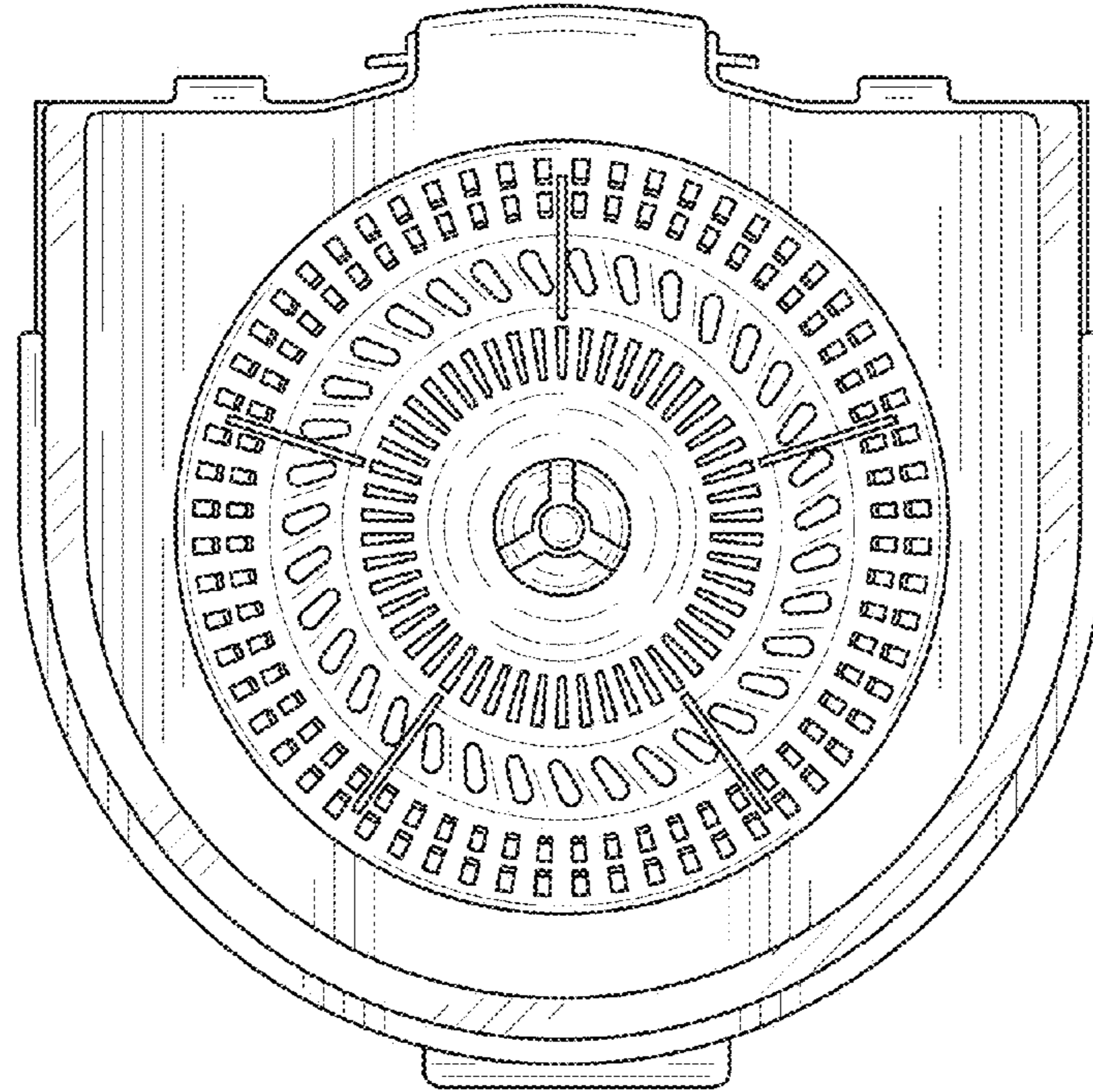


FIG. 11

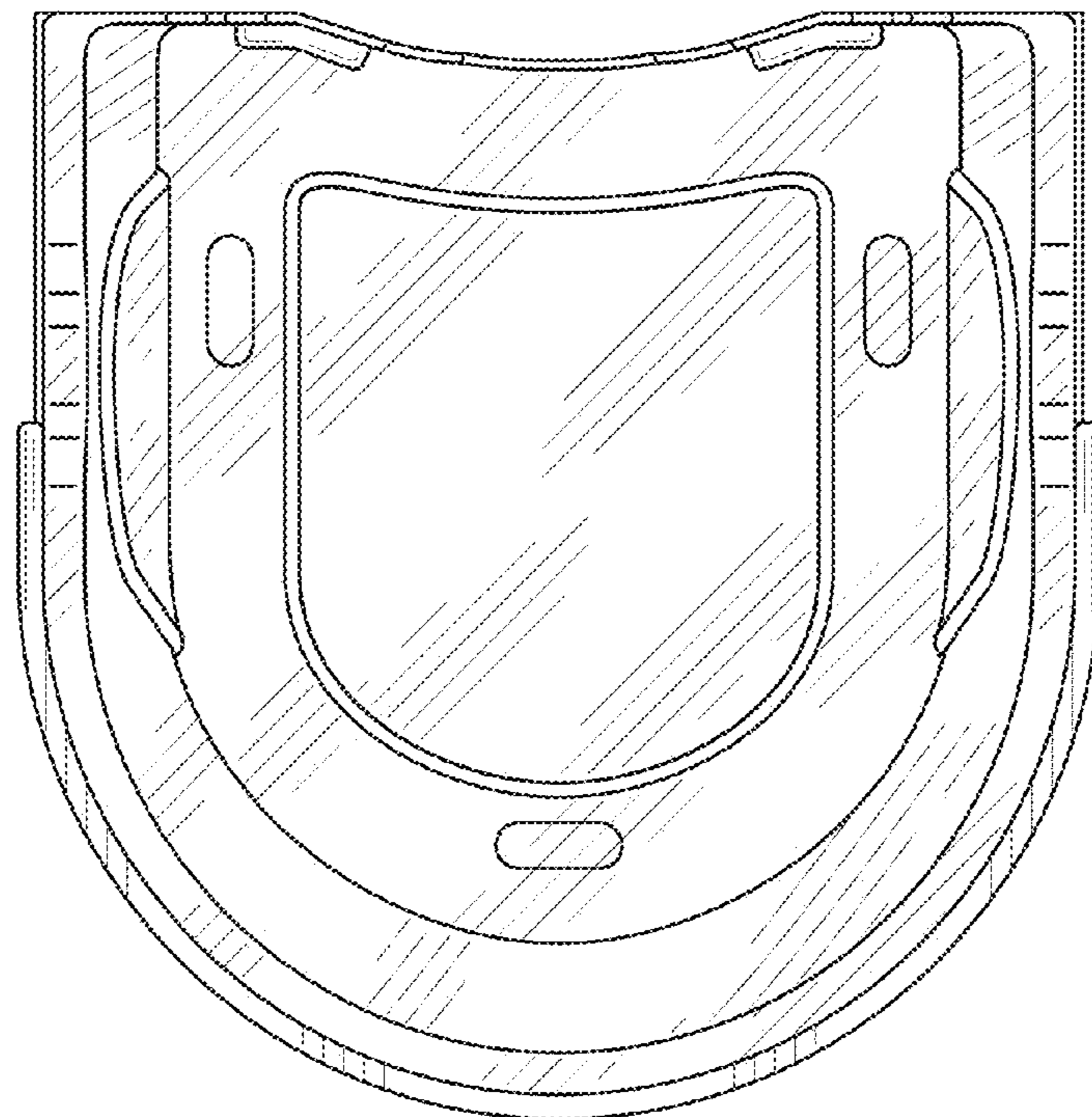


FIG. 12

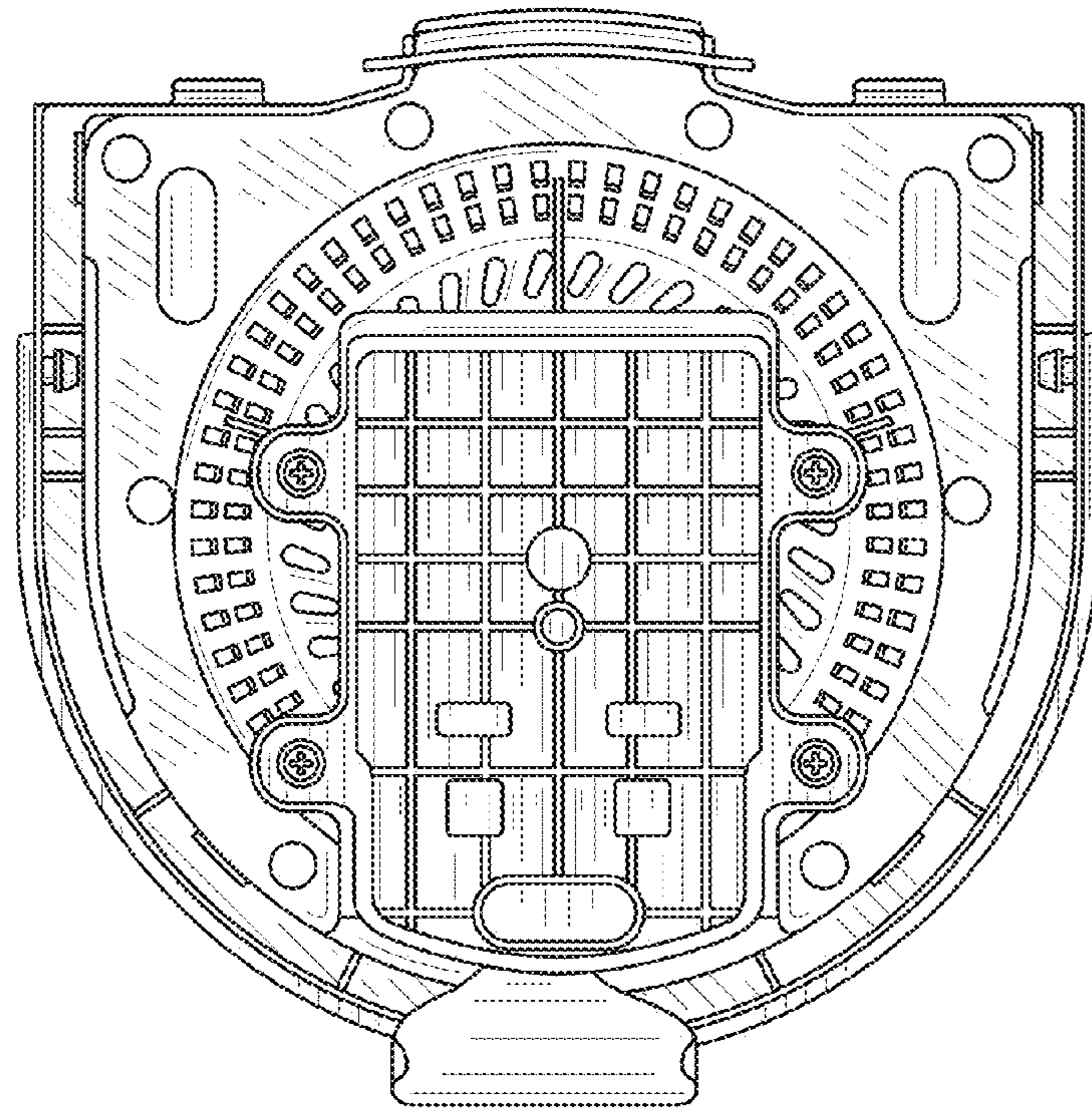


FIG. 13

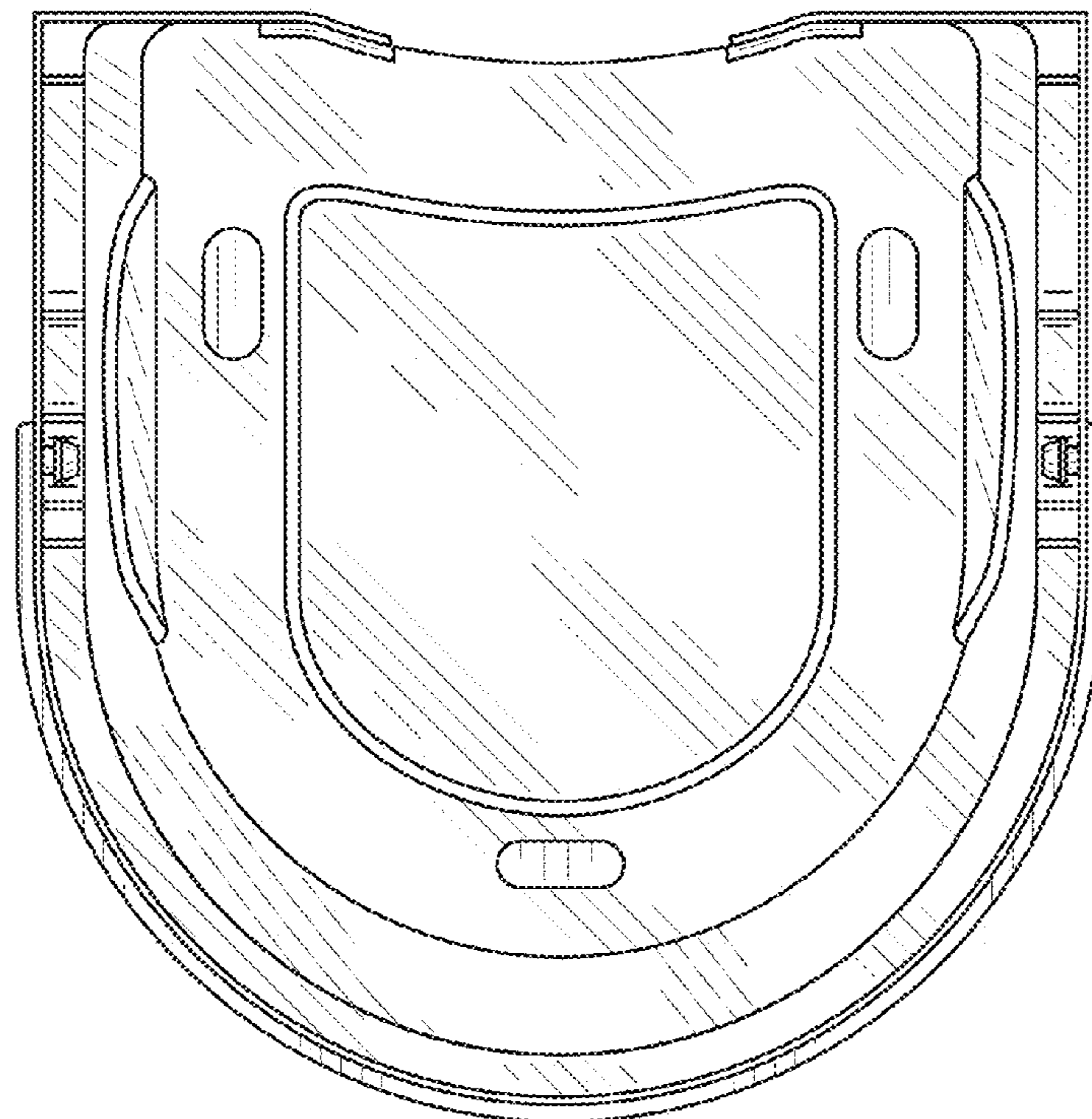


FIG. 14

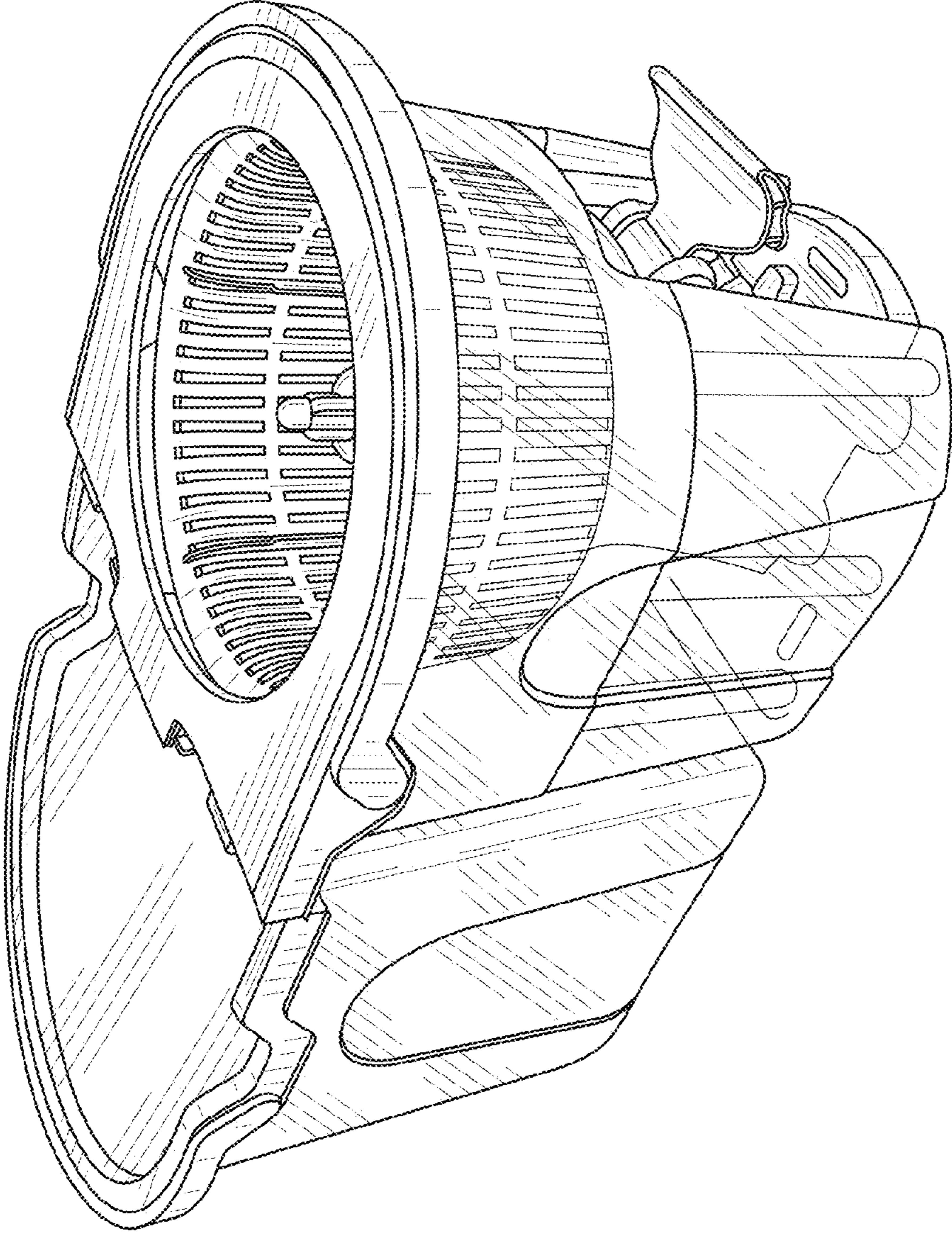


FIG. 15