

US00D765330S

(12) **United States Design Patent**
Lentine

(10) **Patent No.:** **US D765,330 S**

(45) **Date of Patent:** **** Aug. 30, 2016**

(54) **SPRAY MOP**

FOREIGN PATENT DOCUMENTS

(71) Applicant: **Telebrands Corp.**, Fairfield, NJ (US)

CN 301613810 * 7/2011

(72) Inventor: **Lou Lentine**, Chattanooga, TN (US)

JP D1131804 * 1/2002

(73) Assignee: **Telebrands Corp.**, Fairfield, NJ (US)

RO 019129-0001 * 10/2009

(**) Term: **14 Years**

OTHER PUBLICATIONS

(21) Appl. No.: **29/489,526**

Amazon.com—Bissell Steam Mop Hard-Floor Cleaner, review date Nov. 2, 2009, http://www.amazon.com/Bissell-Steam-Hard-Floor-Cleaner-1867-7/dp/B000RPVHZU/ref=sr_1_57?s=vacuums&ie=UTF8&qid=1459206024&sr=1-57&keywords=shark+steam+mop, [site visited Mar. 28, 2016 7:02:03 PM].*

(22) Filed: **Apr. 30, 2014**

(51) **LOC (10) Cl.** **04-01**

(Continued)

(52) **U.S. Cl.**

USPC **D32/45**; D32/50

(58) **Field of Classification Search**

USPC D32/38-40, 45, 50-52, 71-72

CPC A47L 13/22-13/26; A47L 13/254;

A47L 9/00; A47L 13/12; A47L 13/16; A47L

13/20

See application file for complete search history.

Primary Examiner — John Windmuller

Assistant Examiner — John R Yeh

(74) *Attorney, Agent, or Firm* — Cooper & Dunham LLP

(57) **CLAIM**

The ornamental design for a spray mop, as shown and described.

(56) **References Cited**

U.S. PATENT DOCUMENTS

D170,438 S	8/1953	Ziskind	
5,987,685 A	11/1999	Lambert	
6,045,622 A *	4/2000	Holt	A47L 13/16
			134/6
D428,226 S *	7/2000	Kunkler	D32/45
D458,427 S *	6/2002	Kunkler	D32/45
6,497,525 B1 *	12/2002	Huang	A47L 13/22
			401/137
D486,616 S *	2/2004	Hall	D32/45
D486,949 S *	2/2004	Hall	D32/45
D487,174 S *	2/2004	Colman	D32/45
D505,762 S *	5/2005	Lalanne	D32/45
D518,935 S *	4/2006	Leitch	D32/50
7,152,267 B2	12/2006	Kaleta	
D547,017 S	7/2007	Van Landingham	
7,340,795 B2	3/2008	Kaleta	
D583,118 S *	12/2008	Snyder	D32/51
D657,518 S *	4/2012	McGee	D32/45

(Continued)

DESCRIPTION

FIG. 1 is a front perspective view of a spray mop in accordance with the present design;

FIG. 2 is a front perspective view thereof;

FIG. 3 is a left side view thereof;

FIG. 4 is a right side view thereof;

FIG. 5 is a front view thereof;

FIG. 6 is a back view thereof;

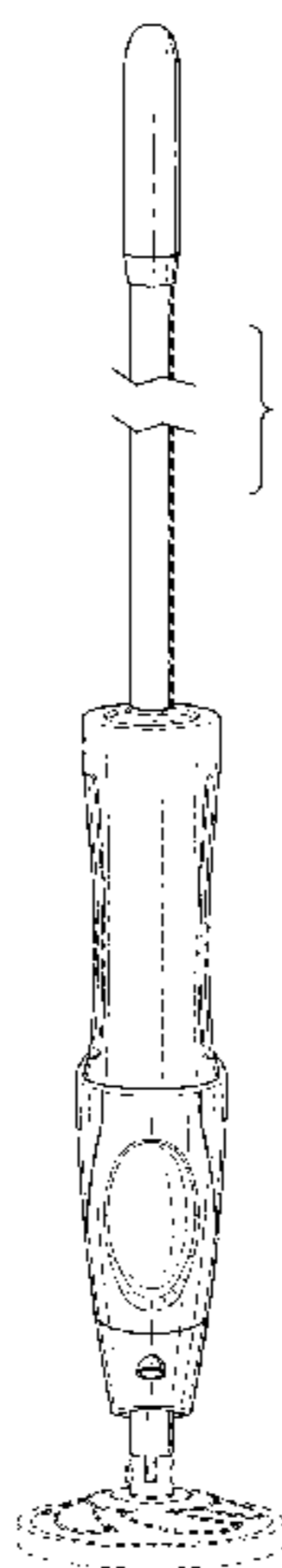
FIG. 7 is a top view thereof; and,

FIG. 8 is a bottom view thereof.

The broken lines in the figures represent portions of the spray mop that form no part of the claimed design.

The jagged lines shown on the handle of the spray mop illustrate the handle broken away for ease of disclosure and form no part of the claimed design.

1 Claim, 4 Drawing Sheets



(56)

References Cited

U.S. PATENT DOCUMENTS

D673,337 S * 12/2012 Chow D32/45
 D673,747 S * 1/2013 Kandasamy D32/45
 8,425,137 B1 * 4/2013 Sampaio A47L 13/22
 401/139
 D686,378 S * 7/2013 Luedke D32/31
 D720,105 S * 12/2014 Gidwell D32/40
 2003/0034050 A1 * 2/2003 Policicchio A47L 13/20
 134/6
 2010/0050367 A1 * 3/2010 Tsai A47L 13/225
 15/320
 2011/0005018 A1 * 1/2011 Zheng A47L 13/14
 15/228
 2011/0158740 A1 * 6/2011 Kandasamy A47L 13/22
 401/270

2012/0090122 A1 * 4/2012 Lin A47L 13/58
 15/228
 2015/0082570 A1 * 3/2015 Davidshofer A47L 13/258
 15/228
 2016/0051116 A1 * 2/2016 Charlton A47L 13/254
 239/1
 2016/0058262 A1 * 3/2016 Charlton B05B 9/01
 401/138

OTHER PUBLICATIONS

Amazon.com—Hurricane Spin Mop, review date Feb. 13, 2013,
http://www.amazon.com/Hurricane-Spin-Mop-7383-2/dp/B0119HJEGI/ref=cm_cr_arp_d_product_top?ie=UTF8, [site
 visited Feb. 29, 2016 9:27:51 PM].*

* cited by examiner

FIG. 1

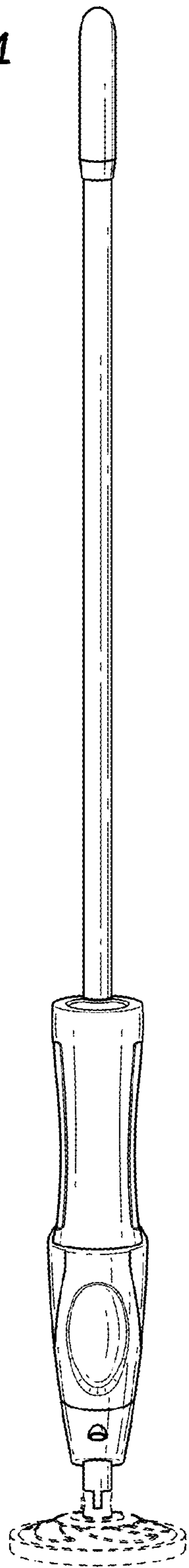


FIG. 2

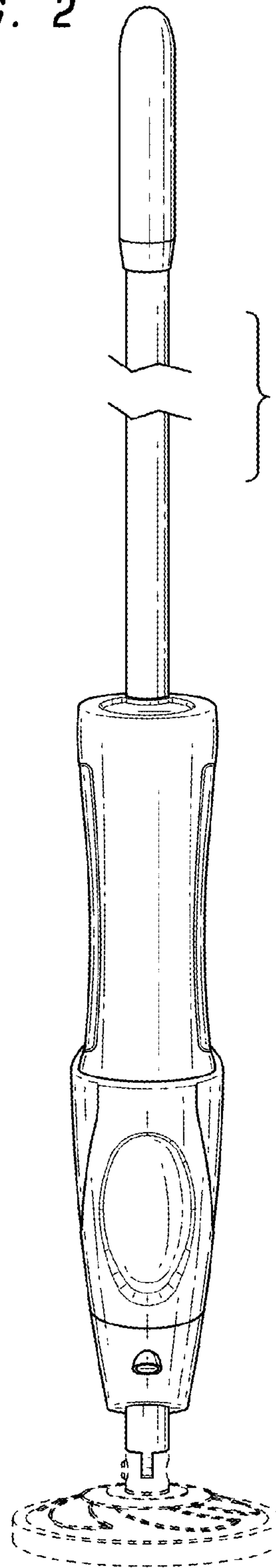


FIG. 3

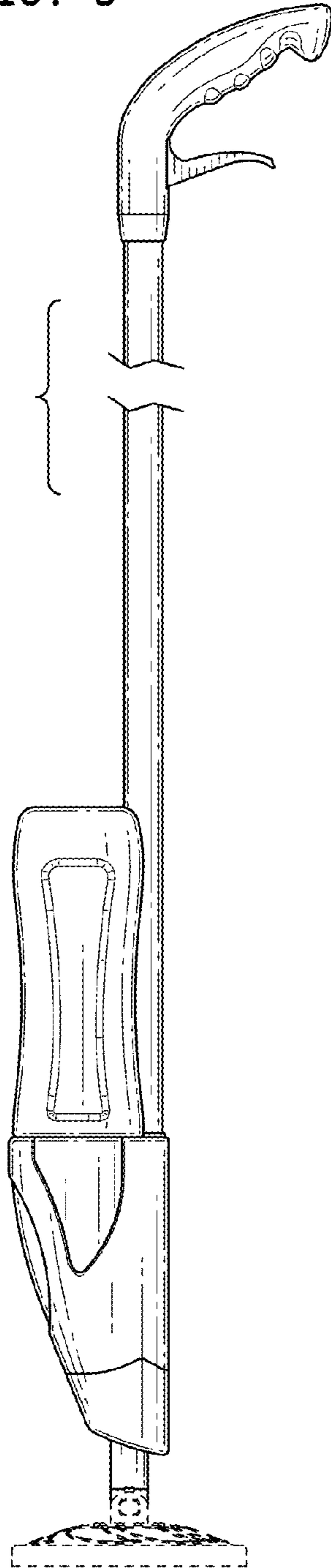


FIG. 4

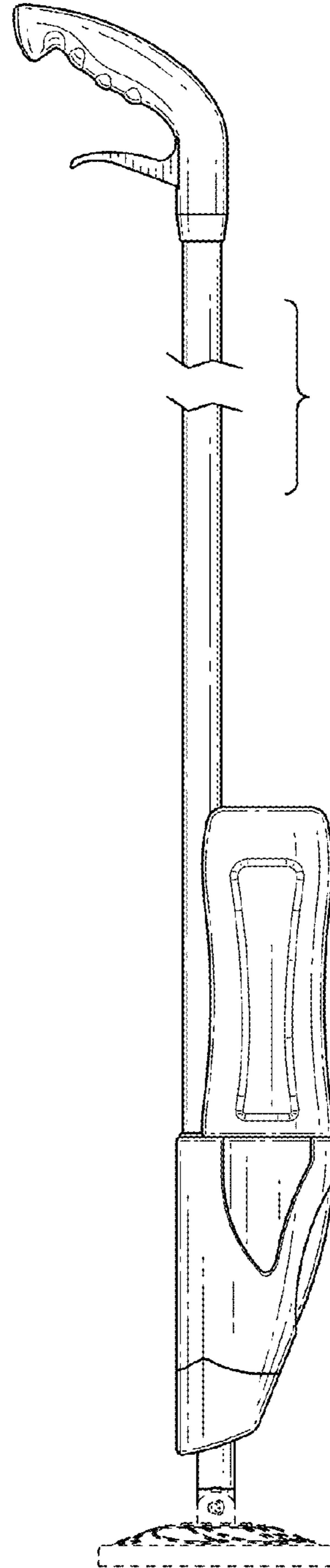


FIG. 5

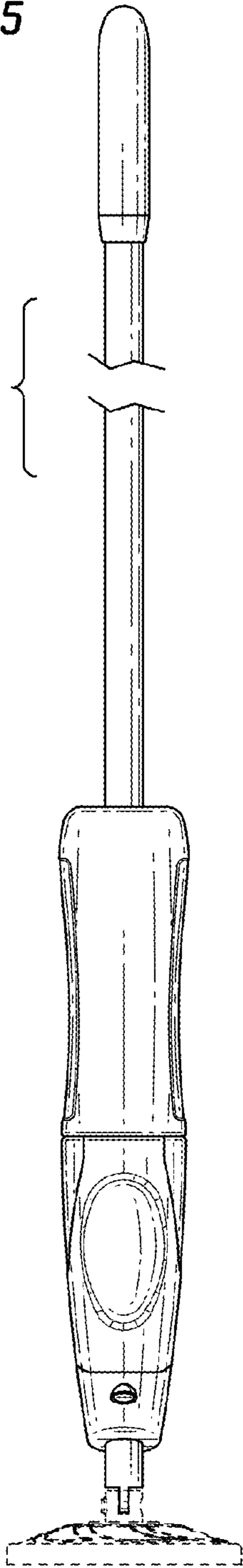


FIG. 6

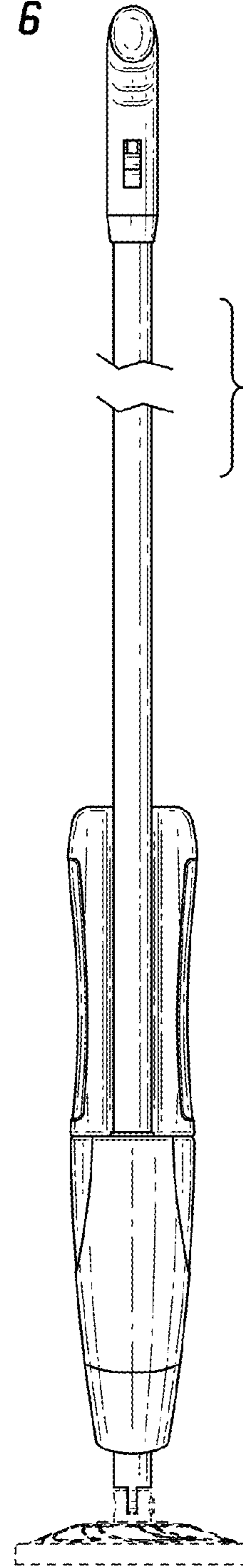


FIG. 7

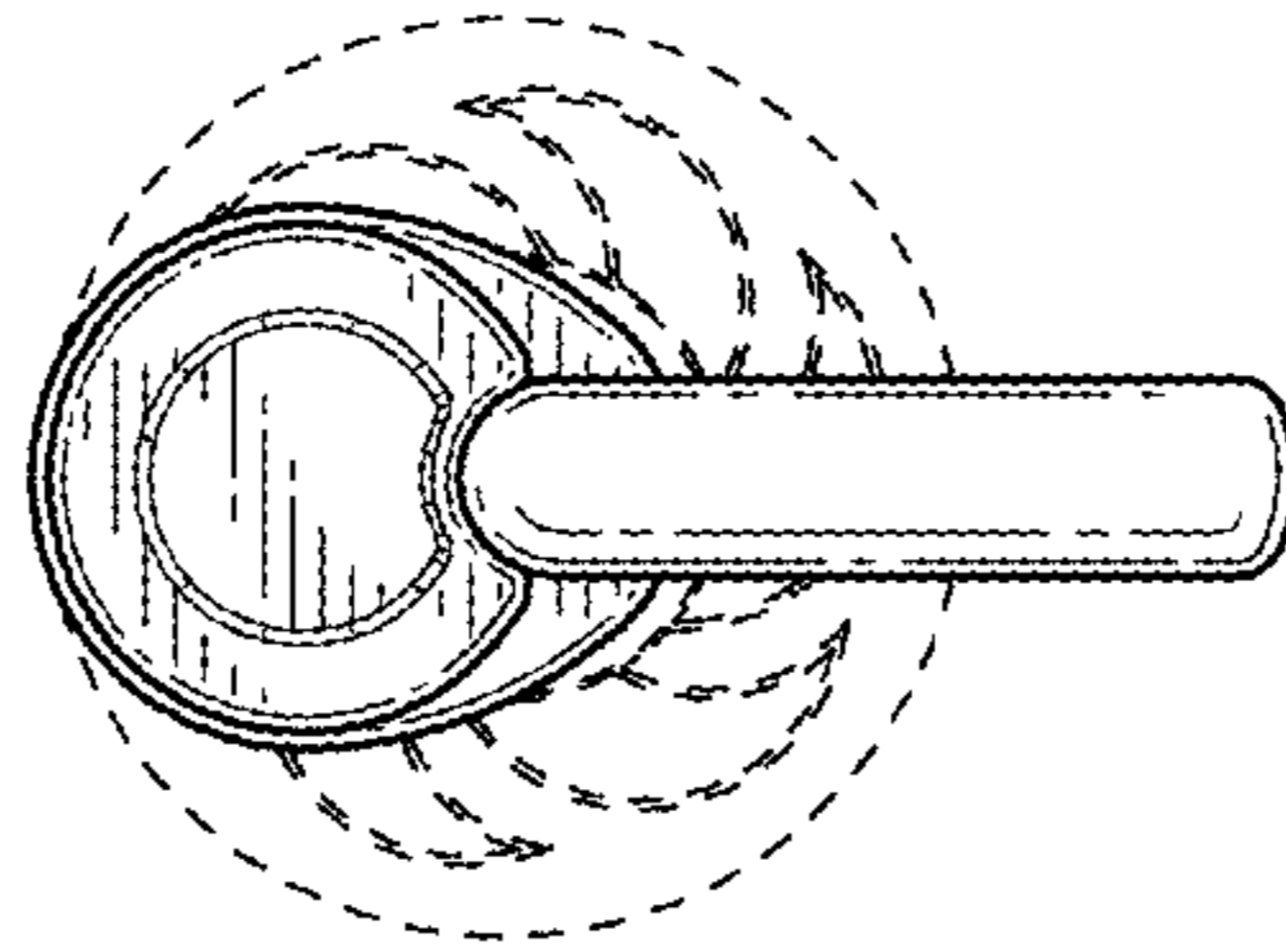


FIG. 8

