



US00D765325S

(12) **United States Design Patent** (10) **Patent No.:** **US D765,325 S**
Bushaw (45) **Date of Patent:** **** Aug. 30, 2016**

(54) **SURFACE CLEANING DEVICE**

- (71) Applicant: **NORILLA LLC**, Santa Fe Springs, CA (US)
- (72) Inventor: **Scott Martin Bushaw**, La Habra, CA (US)
- (73) Assignee: **NORILLA LLC**, Santa Fe Springs, CA (US)
- (**) Term: **15 Years**
- (21) Appl. No.: **29/540,646**
- (22) Filed: **Sep. 25, 2015**

Related U.S. Application Data

- (62) Division of application No. 29/466,807, filed on Sep. 11, 2013, now Pat. No. Des. 739,987.
- (51) **LOC (10) Cl.** **08-99**
- (52) **U.S. Cl.**
USPC **D32/35**
- (58) **Field of Classification Search**
USPC D32/1, 6, 7, 27, 34, 35, 37, 42, 52, 53,
D32/55, 56, 58, 60, 67; D6/512, 513, 524,
D6/526, 547, 567, 573; D9/529, 687, 727,
D9/729
See application file for complete search history.

(56) **References Cited**

U.S. PATENT DOCUMENTS

296,092 A	4/1884	Weed
1,662,038 A	3/1928	Bodenhofer

(Continued)

FOREIGN PATENT DOCUMENTS

CN	203030594	7/2013
EP	1160313	12/2001

(Continued)

OTHER PUBLICATIONS

International Search Report and Written Opinion for application No. PCT/US14/56648, which is a PCT application related to the present application, mailed on Mar. 3, 2015.
(Continued)

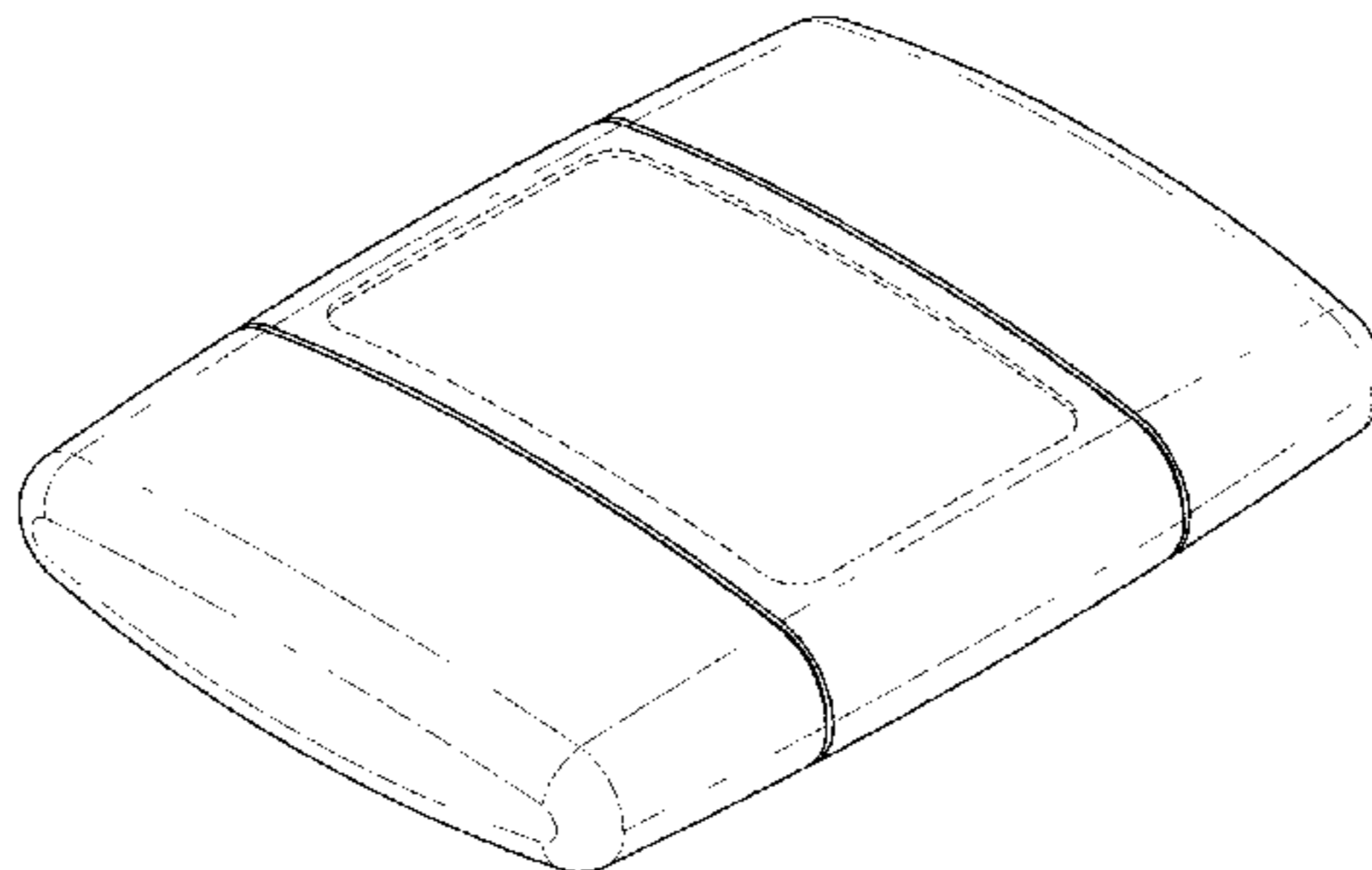
Primary Examiner — George D Kirschbaum
Assistant Examiner — Natasha Vujcic
(74) *Attorney, Agent, or Firm* — Knobbe Martens Olson & Bear LLP

(57) **CLAIM**
The ornamental design for a surface cleaning device, as shown and described.

DESCRIPTION

FIG. 1 is a front perspective view of a surface cleaning device.
FIG. 2 is a front view of the surface cleaning device of FIG. 1, the back being a mirror image.
FIG. 3 is a top view of the surface cleaning device of FIG. 1, the bottom being a mirror image.
FIG. 4 is a side view of the surface cleaning device of FIG. 1, the opposite side being a mirror image.
FIG. 5 is a front perspective view of the surface cleaning device of FIG. 1 with top and bottom caps being shown removed from a housing of the surface cleaning device.
FIG. 6 is a front perspective view of the surface cleaning device of FIG. 1 with the top and bottom caps hidden.
FIG. 7 is a front view of the surface cleaning device of FIG. 1 with the top and bottom caps hidden, the back being a mirror image.
FIG. 8 is a top view of the surface cleaning device of FIG. 1 with the top cap hidden.
FIG. 9 is a bottom view of the surface cleaning device of FIG. 1 with the bottom cap hidden; and,
FIG. 10 is a side view of the surface cleaning device of FIG. 1 with the top and bottom caps hidden, the opposite side being a mirror image.
The broken lines in the drawings illustrate portions of the surface cleaning device which form no part of the claimed design.

1 Claim, 9 Drawing Sheets



(56)

References Cited

U.S. PATENT DOCUMENTS

2,862,221 A 7/1955 Hume
 3,341,884 A 9/1967 Pryor
 D215,817 S 11/1969 Gorman
 4,043,683 A 8/1977 Costa et al.
 4,338,366 A 7/1982 Evans et al.
 D323,293 S * 1/1992 Gutkowski D9/529
 D328,246 S * 7/1992 Nottingham D9/428
 D414,690 S 10/1999 Hutchinson et al.
 D415,020 S 10/1999 Hutchinson et al.
 D415,021 S 10/1999 Hutchinson et al.
 D541,161 S 4/2007 Ames
 D558,051 S * 12/2007 Born D9/424
 D585,289 S * 1/2009 Toh D9/446
 7,546,657 B2 6/2009 Gurley
 D606,865 S * 12/2009 Huntington D9/445
 D607,332 S * 1/2010 Huntington D9/516
 D611,351 S * 3/2010 Mansau D9/529
 D642,929 S * 8/2011 Mansau D9/686
 D660,181 S 5/2012 Nowacek et al.
 8,225,928 B2 7/2012 Perrier et al.
 D669,274 S 10/2012 Meurrens
 D669,792 S * 10/2012 Lorenz D9/686
 8,281,735 B2 10/2012 Curtin
 8,493,714 B2 7/2013 Visser et al.
 D689,253 S 9/2013 Stachowski et al.
 8,635,732 B2 1/2014 DeDominicis et al.
 D699,410 S 2/2014 Stachowski et al.
 D705,509 S 5/2014 Liu et al.
 D739,987 S 9/2015 Bushaw
 2005/0216293 A1 9/2005 Bushaw

2008/0244847 A1 10/2008 Richter et al.
 2009/0003921 A1 1/2009 Francavilla
 2010/0011524 A1 1/2010 Roebach et al.
 2010/0257681 A1 10/2010 Lin
 2012/0006911 A1 1/2012 Weng
 2012/0138490 A1 6/2012 Hollander et al.
 2013/0177261 A1 7/2013 Bushaw
 2014/0059790 A1 3/2014 Bushaw et al.

FOREIGN PATENT DOCUMENTS

EP 1726373 11/2006
 WO WO 2009/029251 3/2009
 WO WO 2009/065128 5/2009
 WO WO 2013/009180 1/2013
 WO WO 2013/131111 9/2013
 WO WO 2015/042463 3/2015

OTHER PUBLICATIONS

Photographs of product by Monster Cable Products, Inc., "Clean Touch." A printout of a webpage in which the Clean Touch product was offered for sale is also included. The printout indicates that the product was first offered for sale on Apr. 15, 2011; however, Applicant makes no representations as to the accuracy of this date or if the product has changed since that date. The printout was retrieved from Amazon.com on Apr. 2, 2015. The "publication date" of this reference is not readily available. Applicant requests that the Examiner review the reference as prior art. Applicant reserves the right to disqualify the reference as prior art if needed.

* cited by examiner

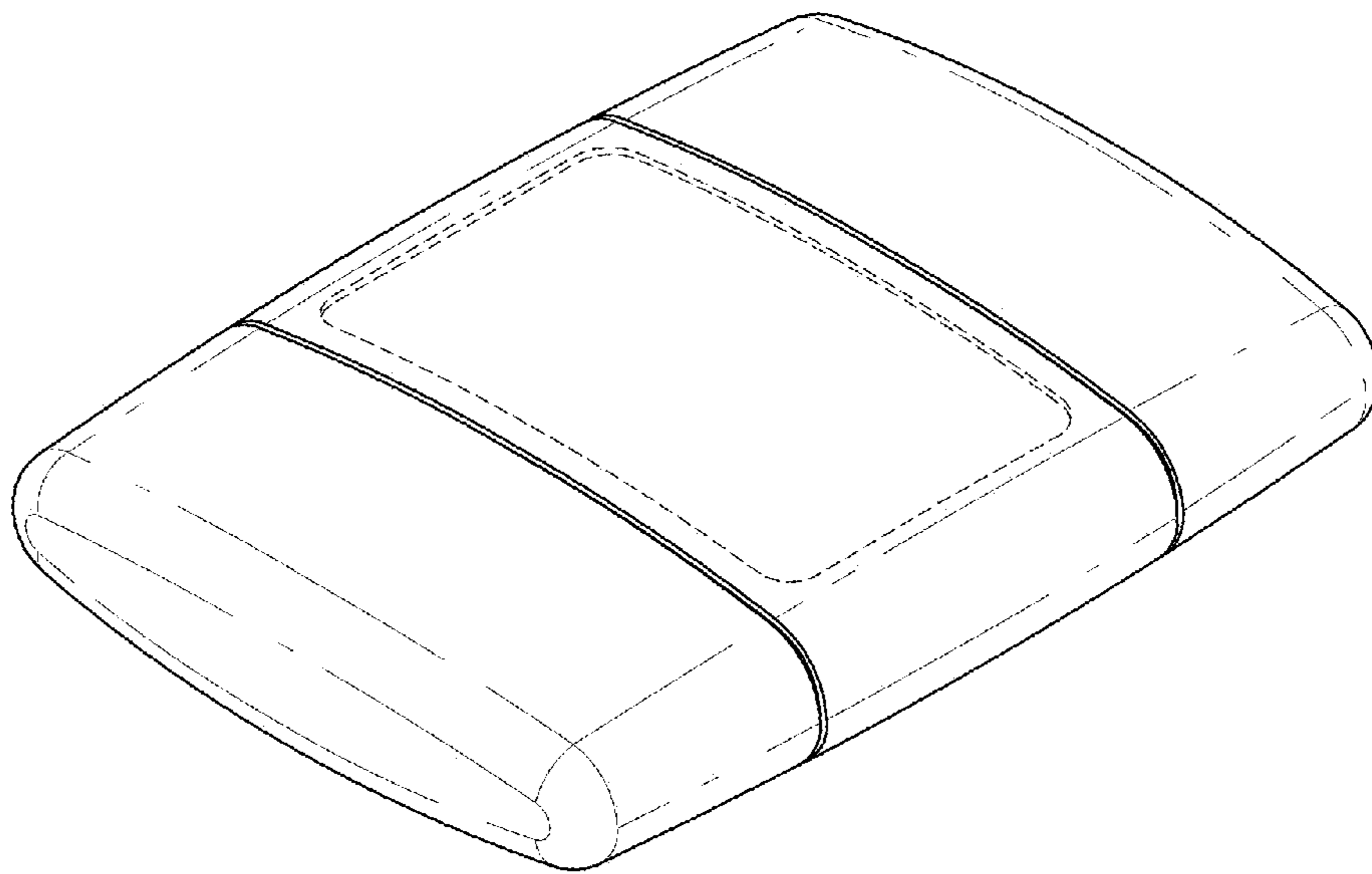


FIG. 1

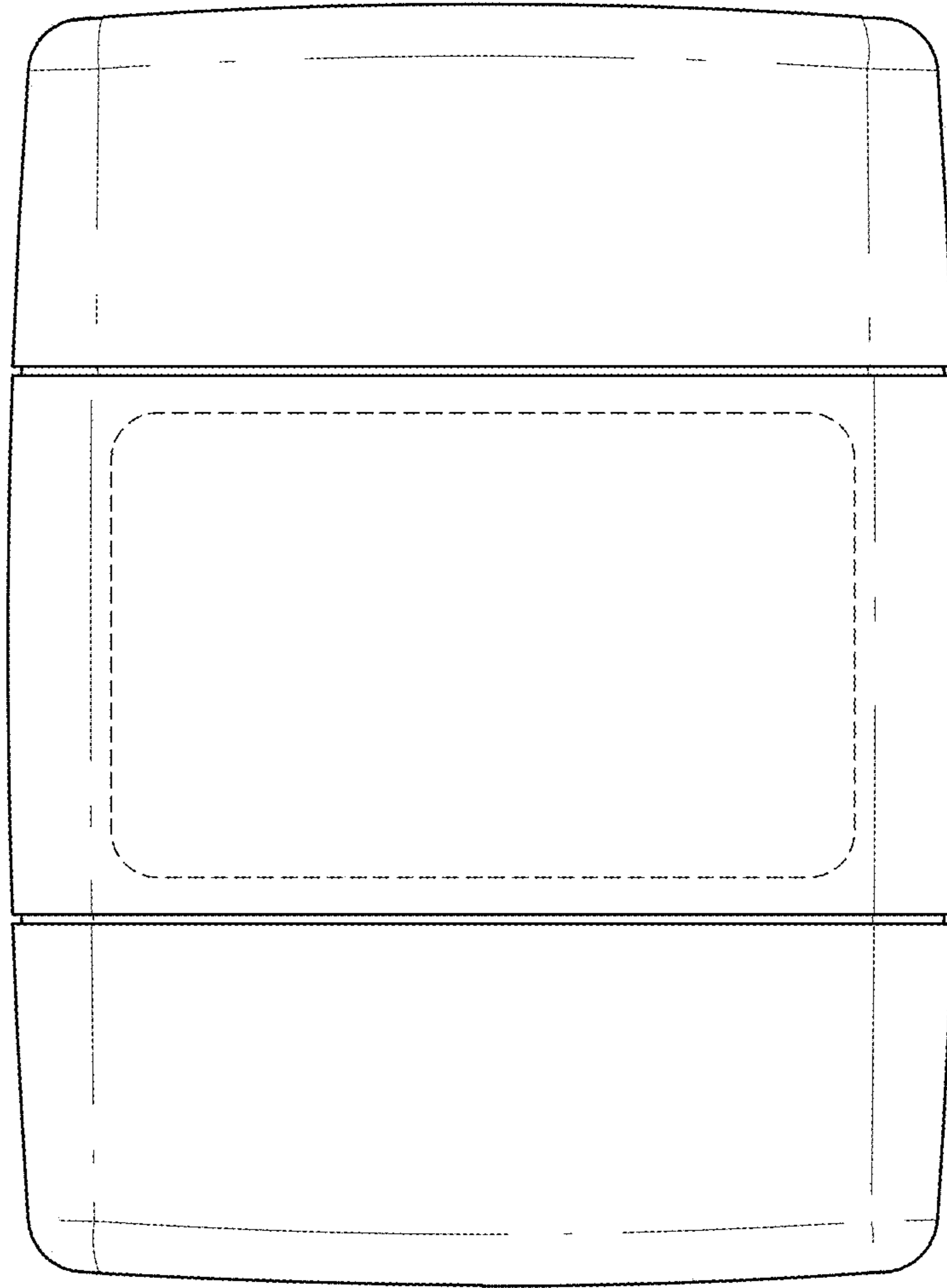


FIG. 2

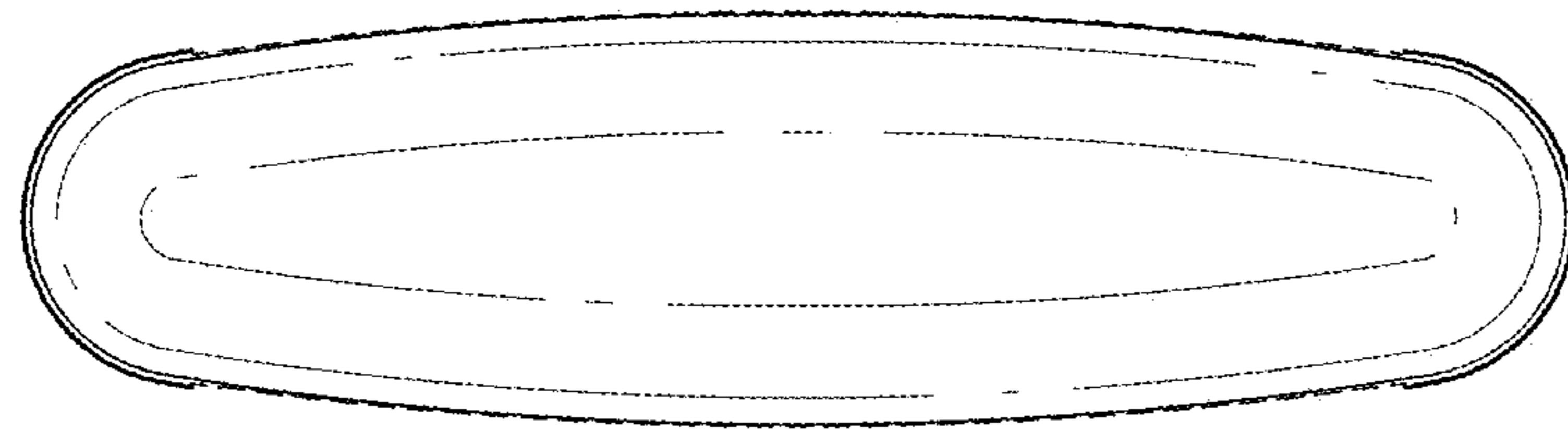


FIG. 3

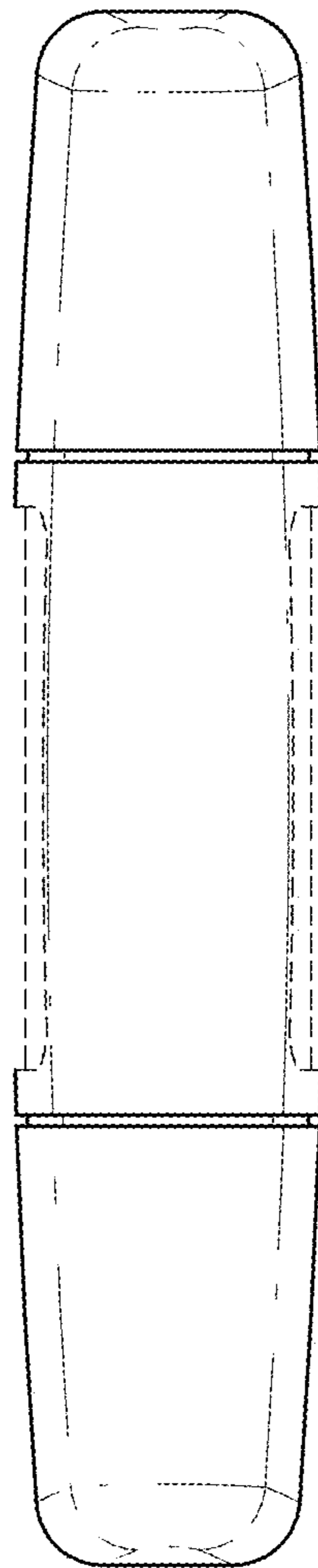


FIG. 4

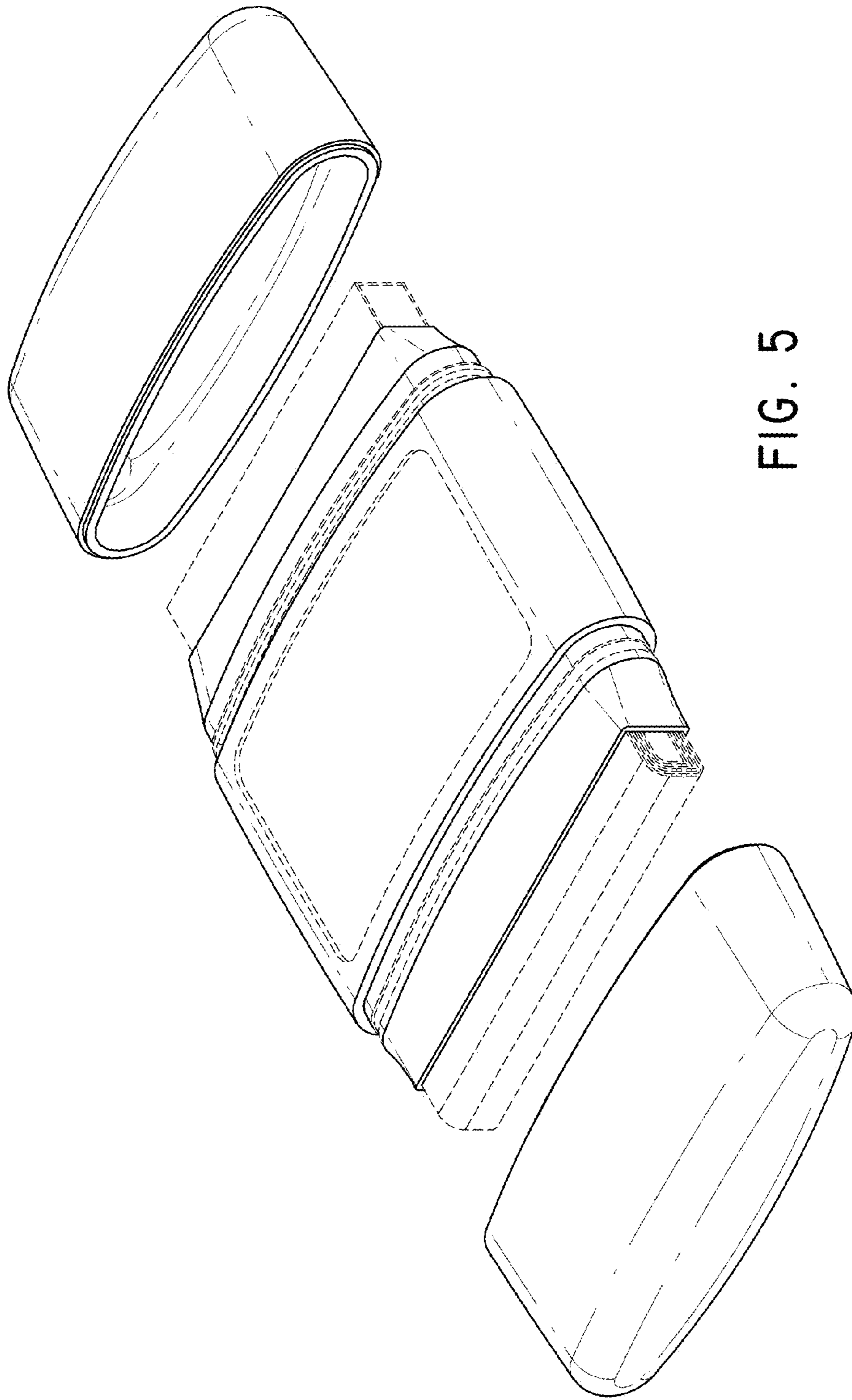


FIG. 5

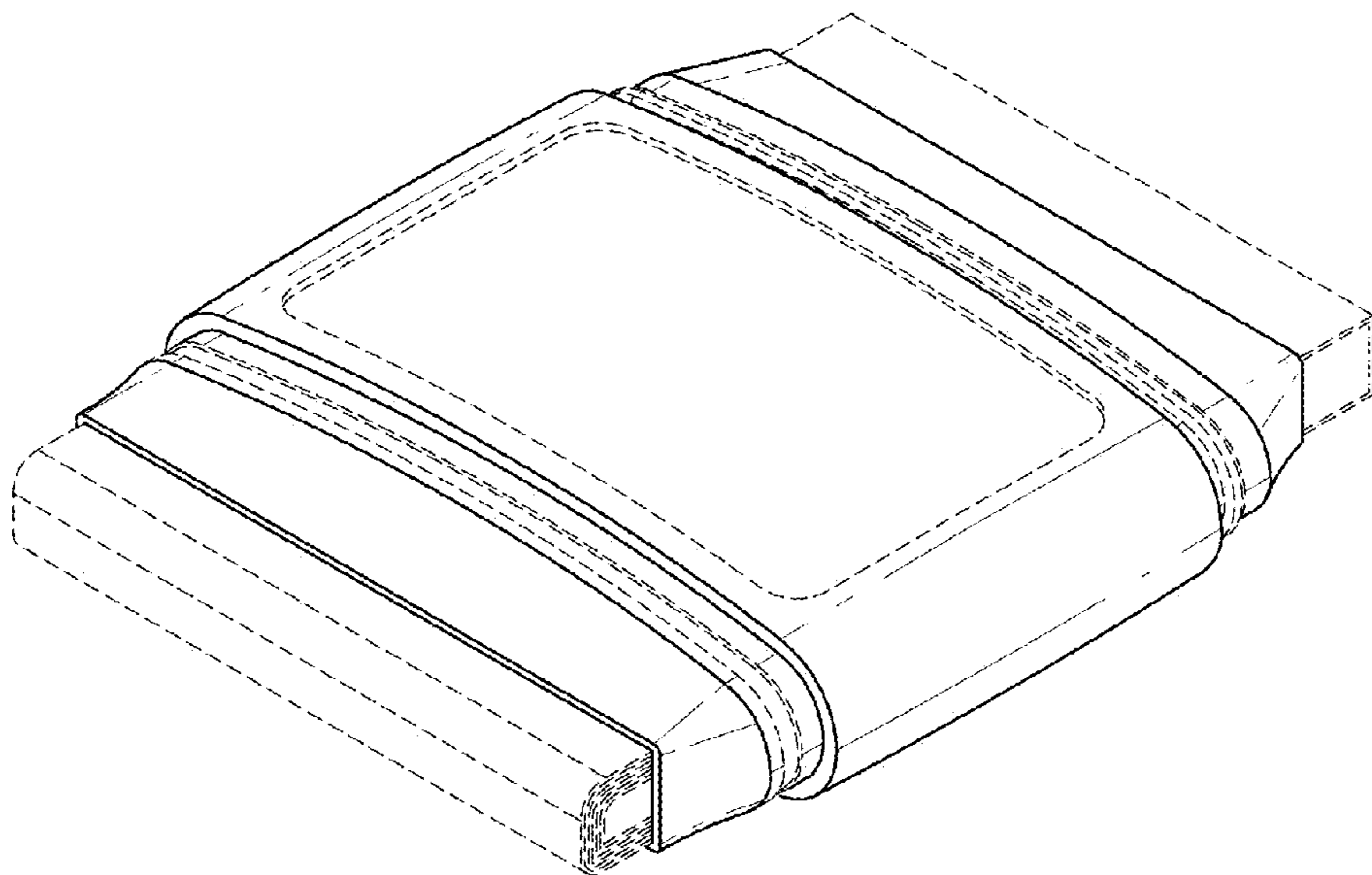


FIG. 6

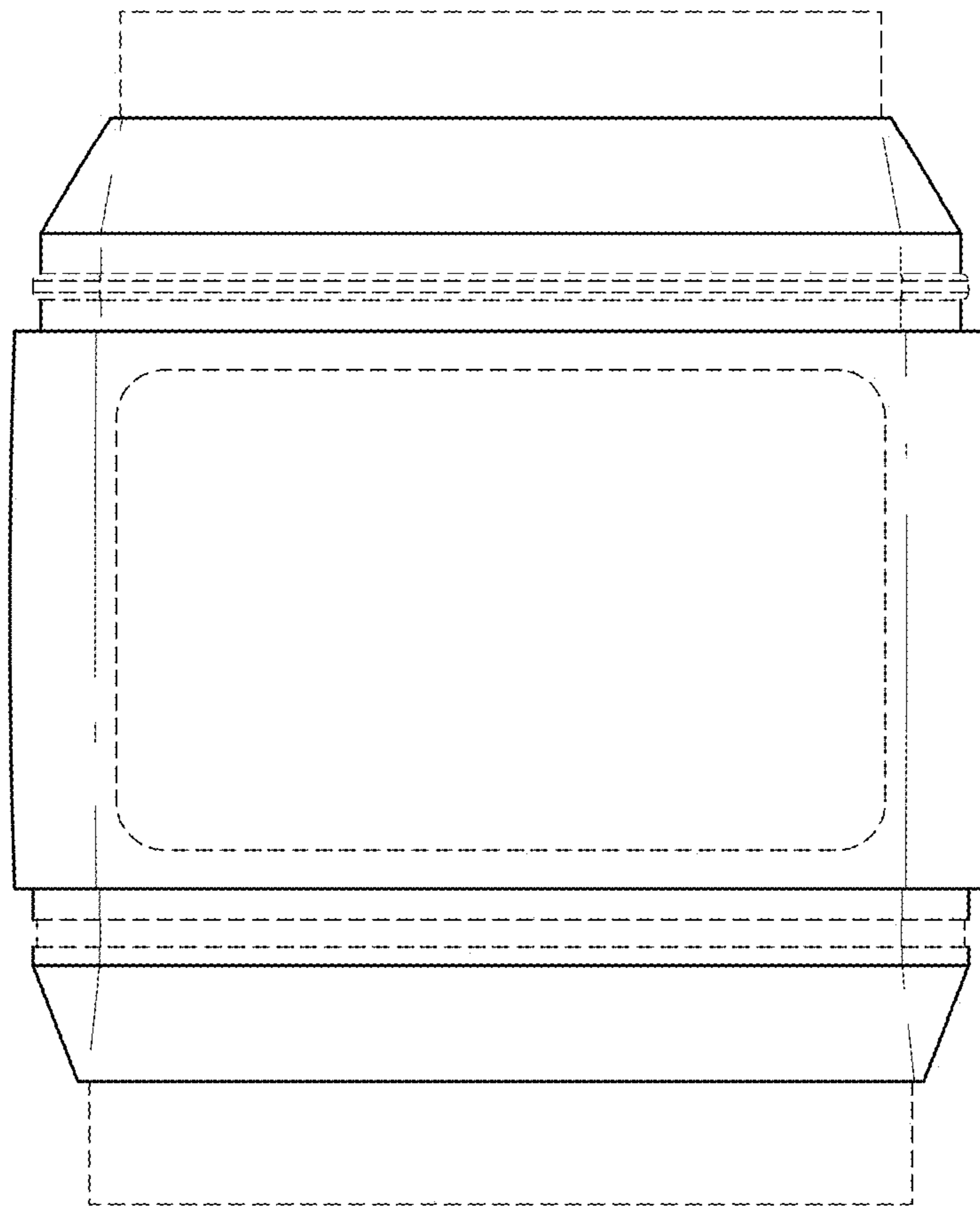


FIG. 7



FIG. 8

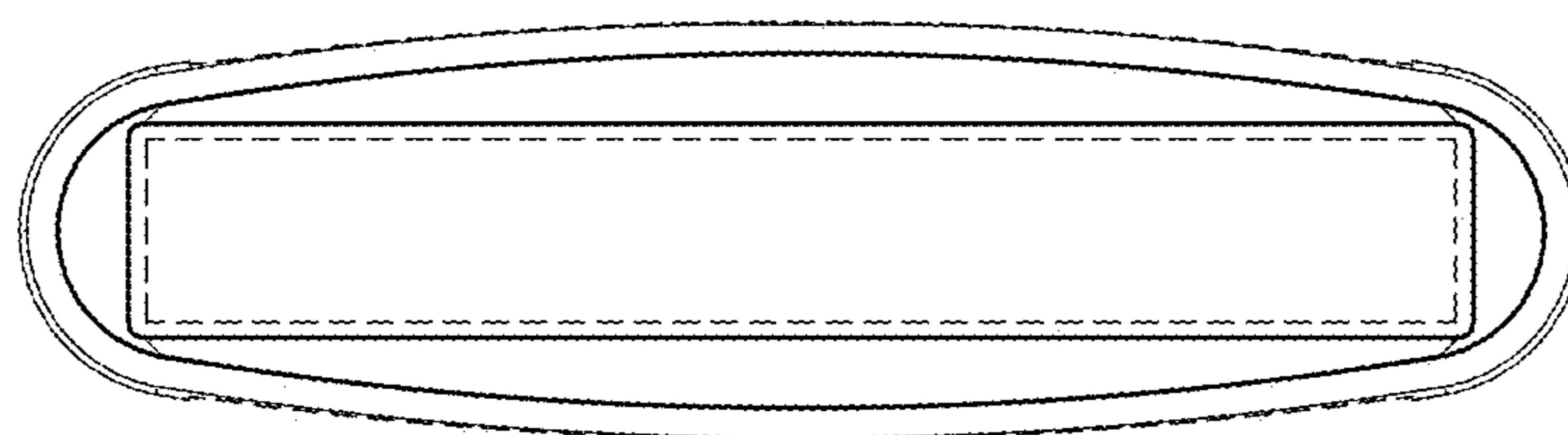


FIG. 9

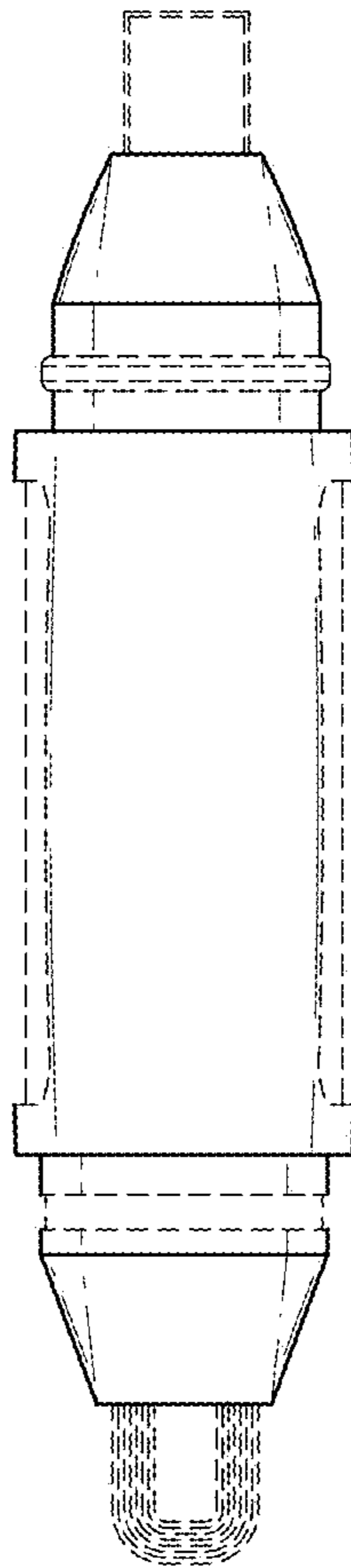


FIG. 10