

US00D765324S

(12) **United States Design Patent**
Shin

(10) **Patent No.:** **US D765,324 S**

(45) **Date of Patent:** **** Aug. 30, 2016**

(54) **VACUUM CLEANER**

(71) Applicant: **Samsung Electronics Co., Ltd.**,
Suwon-si (KR)

(72) Inventor: **Dong-Ju Shin**, Seoul (KR)

(73) Assignee: **Samsung Electronics Co., Ltd.**,
Suwon-si (KR)

(**) Term: **14 Years**

(21) Appl. No.: **29/515,231**

(22) Filed: **Jan. 21, 2015**

(30) **Foreign Application Priority Data**

Aug. 5, 2014 (KR) 30-2014-0038281

(51) **LOC (10) Cl.** **15-05**

(52) **U.S. Cl.**
USPC **D32/32**

(58) **Field of Classification Search**

USPC D32/31-33, 40, 50, 25
CPC A47L 11/4044; A47L 9/02; A47L 9/06;
A47L 13/12; A47L 13/20; A47L 1/08;
A47K 7/02; E04H 4/1654

See application file for complete search history.

(56) **References Cited**

U.S. PATENT DOCUMENTS

D456,967 S * 5/2002 Santiago D32/32
D507,854 S * 7/2005 Kim D32/32
D518,932 S * 4/2006 Maruyama D32/32
D524,002 S * 6/2006 Worwag D32/32
D564,720 S * 3/2008 Dyson D32/32
D565,264 S * 3/2008 Buschi D32/32
D599,515 S * 9/2009 Davies D32/32
D643,168 S * 8/2011 Dyson D32/32

D649,725 S * 11/2011 Fjellman D32/32
D672,103 S * 12/2012 Dyson D32/32
D720,104 S * 12/2014 Santiago D32/32
2009/0049642 A1* 2/2009 Oh A47L 9/06
15/332
2016/0058255 A1* 3/2016 Kim A47L 9/02
15/327.1

FOREIGN PATENT DOCUMENTS

CN 302489494 S 7/2013
EM 000822713-0001 5/2008
EM 002280701-0007 7/2013
JP D 1358350 5/2009
JP D 1399217 10/2010

* cited by examiner

Primary Examiner — Ruth McInroy

(74) *Attorney, Agent, or Firm* — NSIP Law

(57) **CLAIM**

I claim the ornamental design for a vacuum cleaner, as shown and described.

DESCRIPTION

FIG. 1 is a front perspective view of a vacuum cleaner showing my new design;

FIG. 2 is a front view thereof;

FIG. 3 is a rear view thereof;

FIG. 4 is a left-side view thereof;

FIG. 5 is a right-side view thereof;

FIG. 6 is a top view thereof; and,

FIG. 7 is a bottom view thereof.

The broken lines in the figures show portions of the vacuum cleaner which form no part of the claimed design.

The dot-dash lines in the figures represent an unclaimed boundary line and form no part of the claimed design.

1 Claim, 5 Drawing Sheets

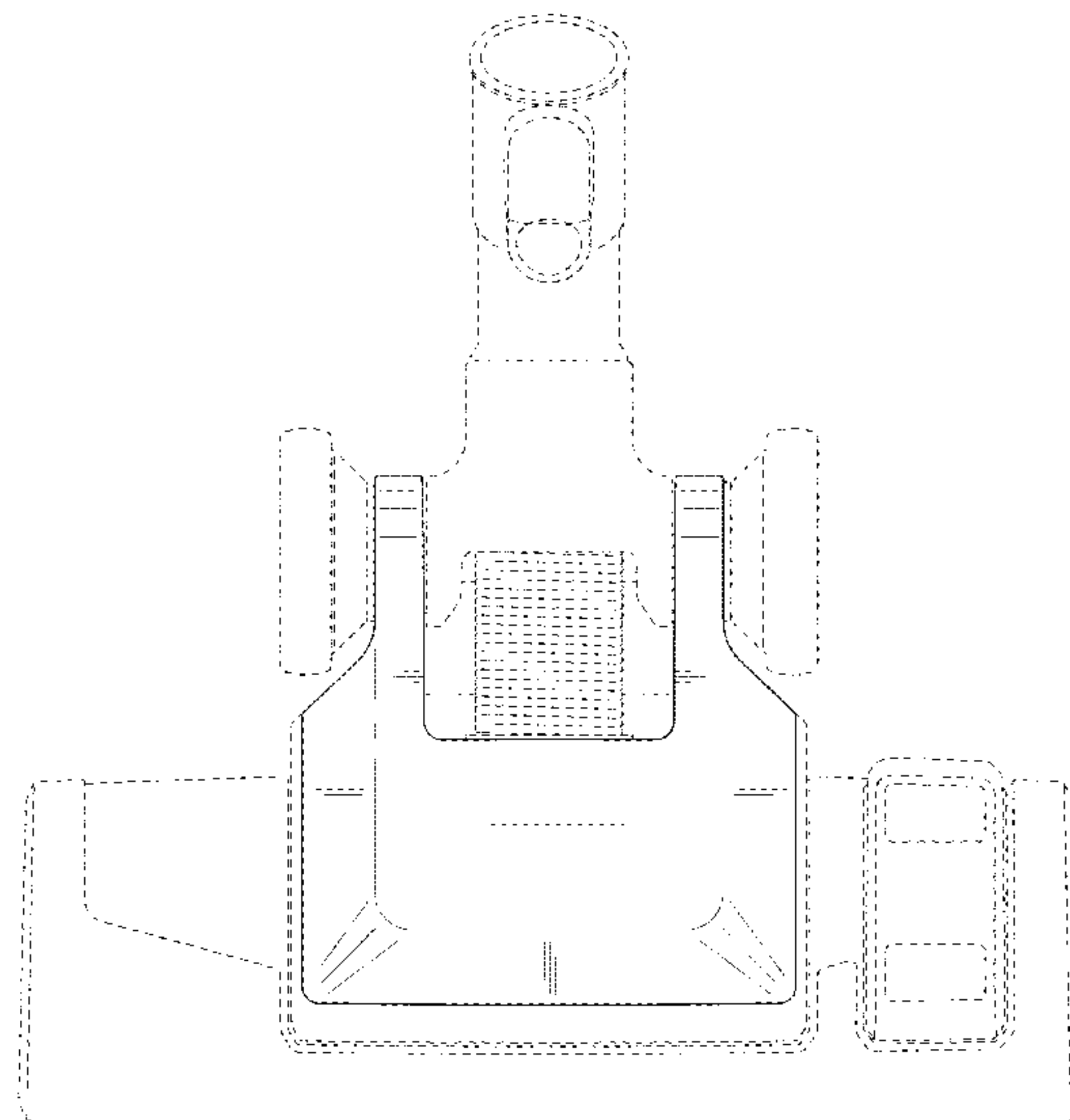
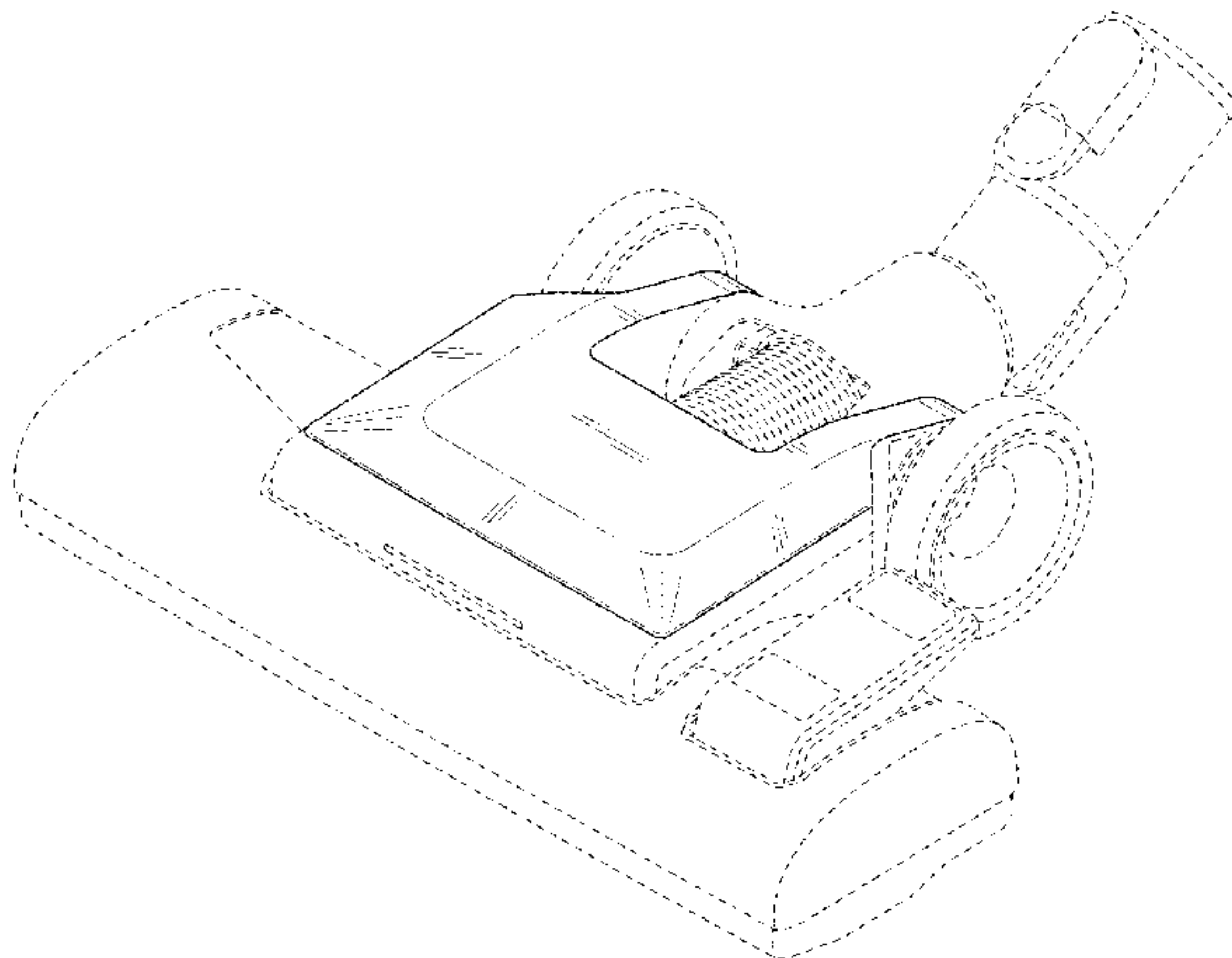


FIG. 1

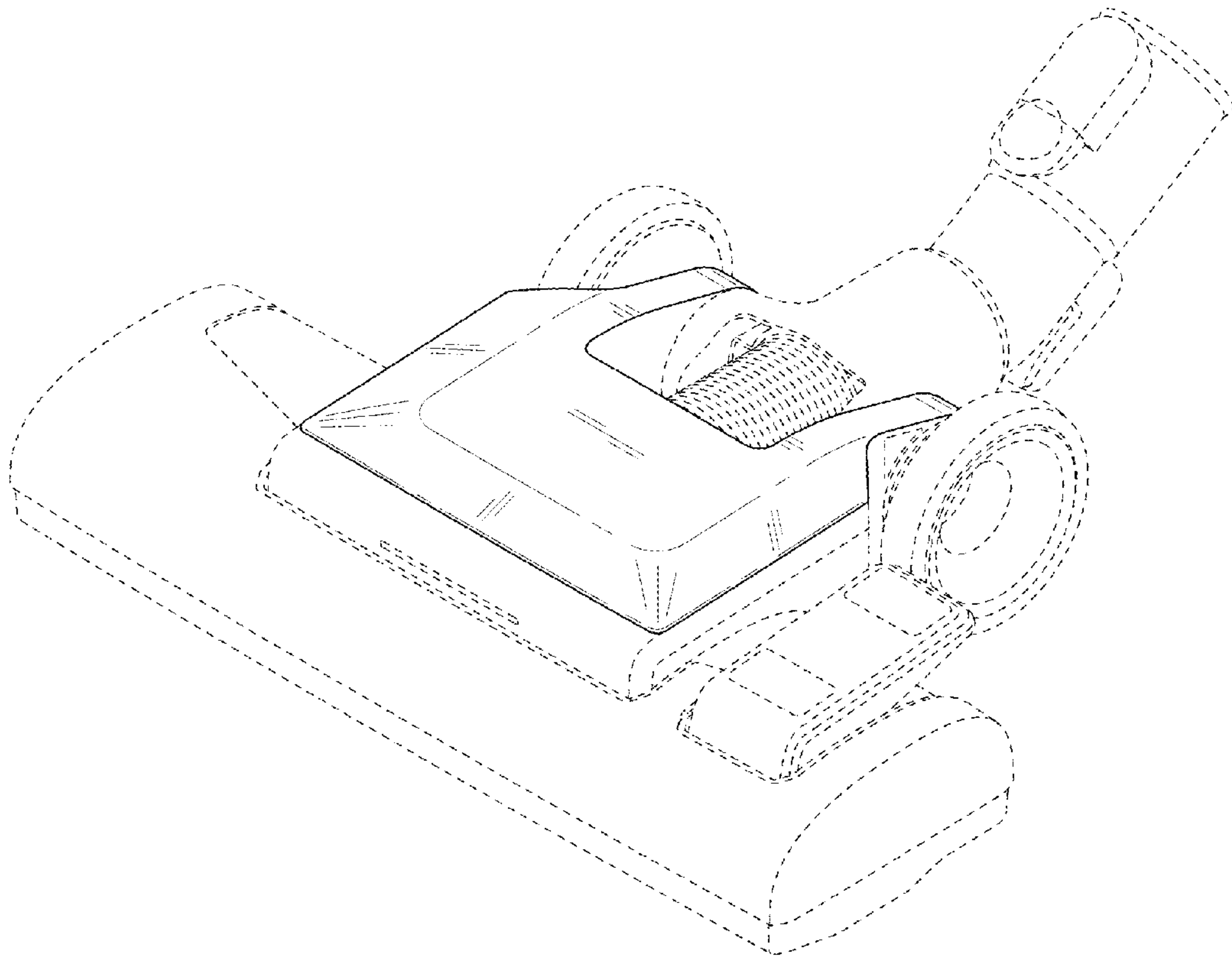


FIG. 2

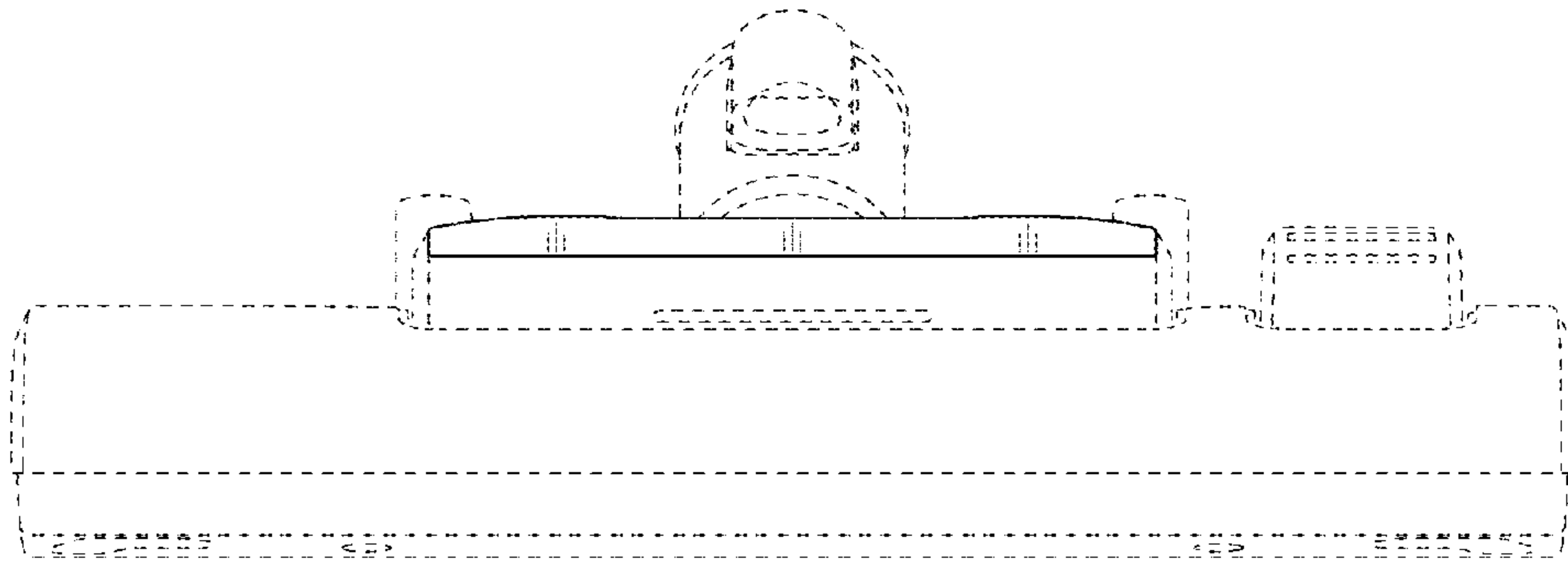


FIG. 3

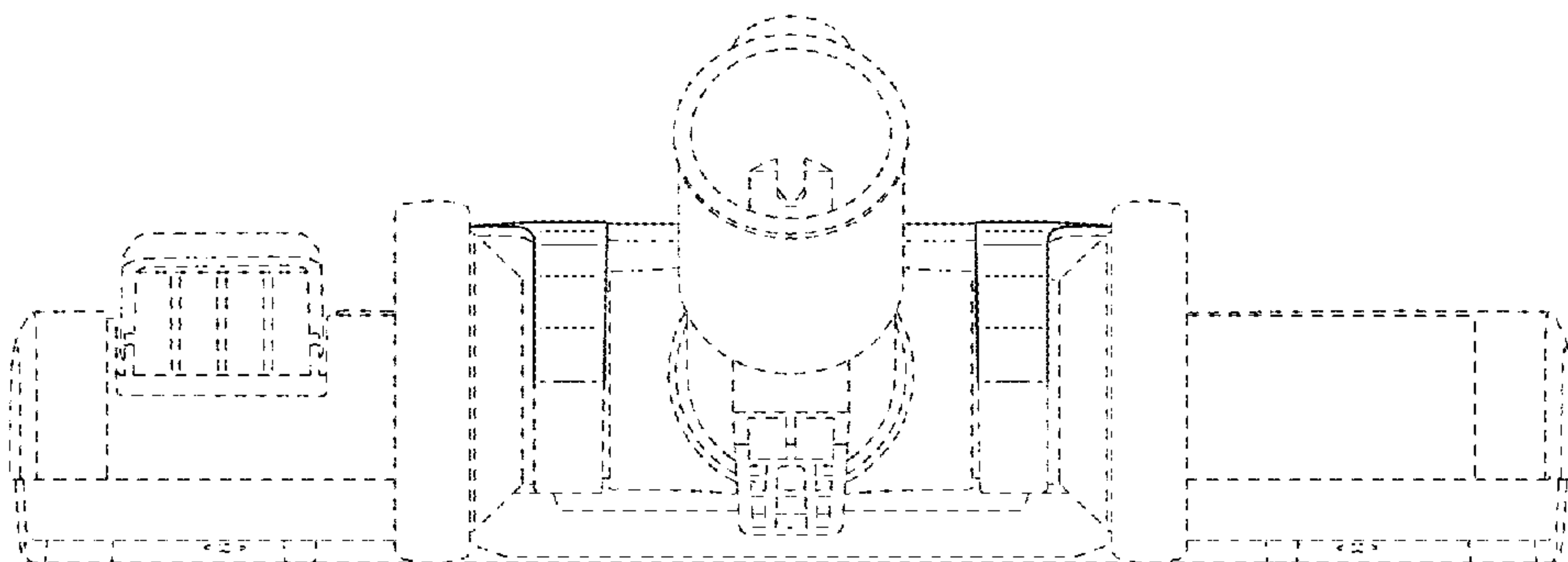


FIG. 4

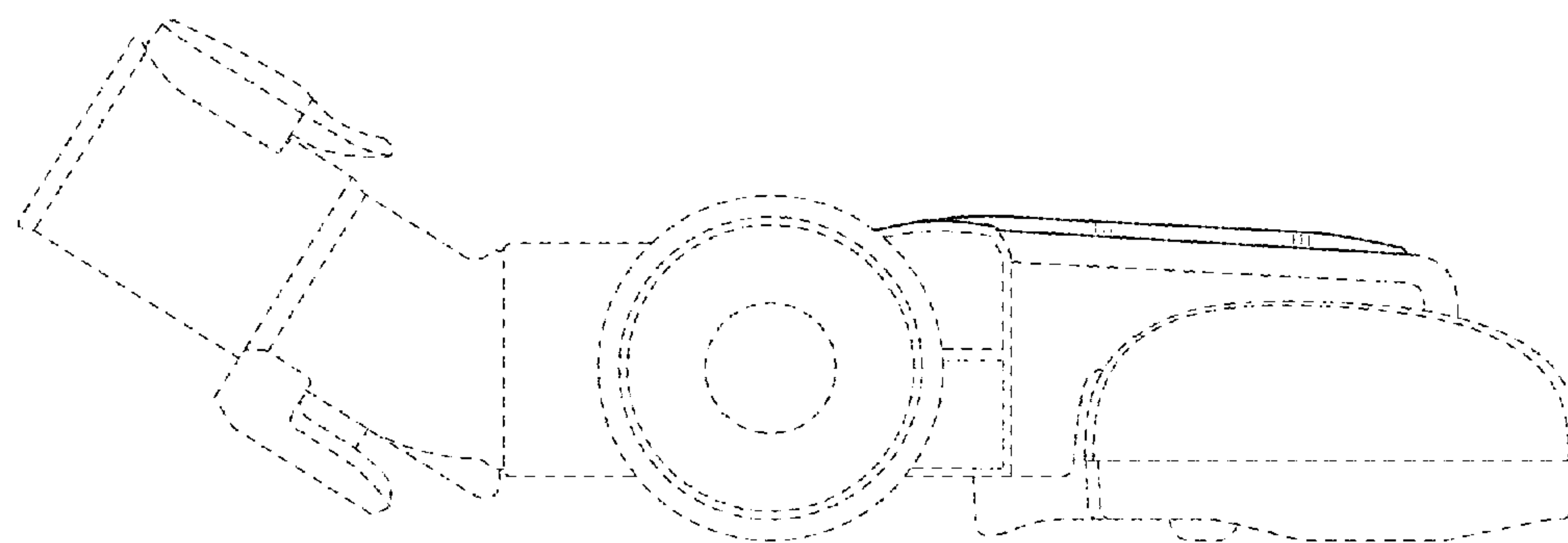


FIG. 5

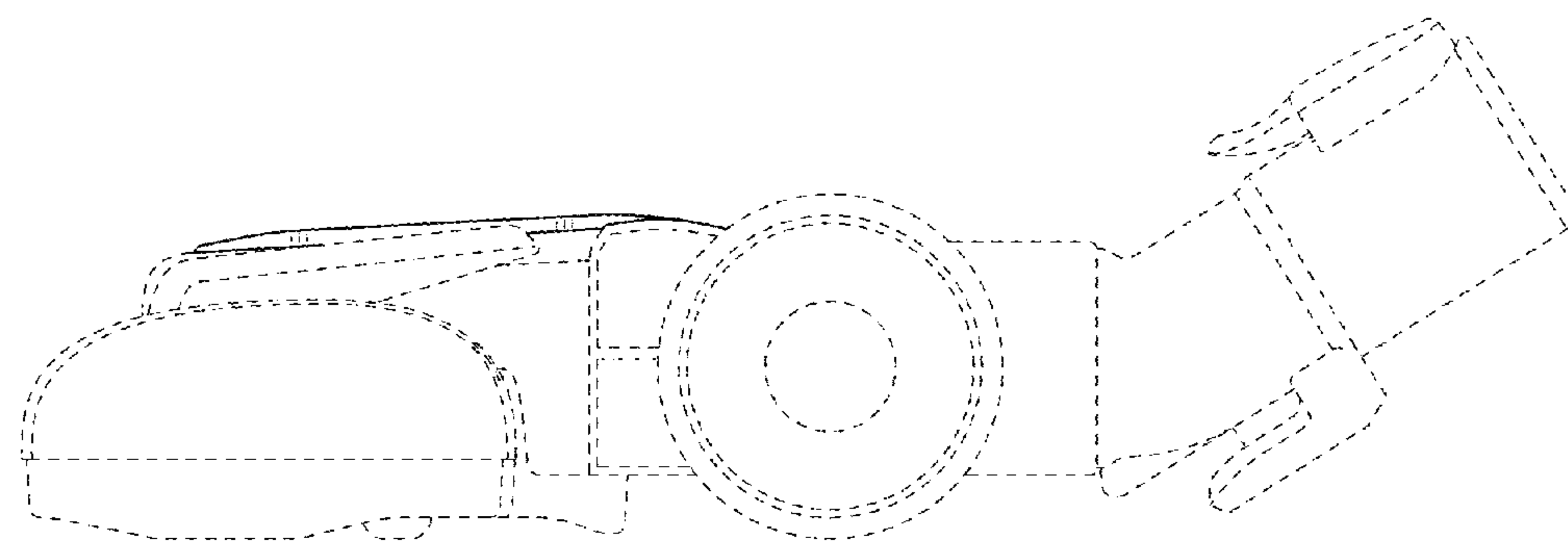


FIG. 6

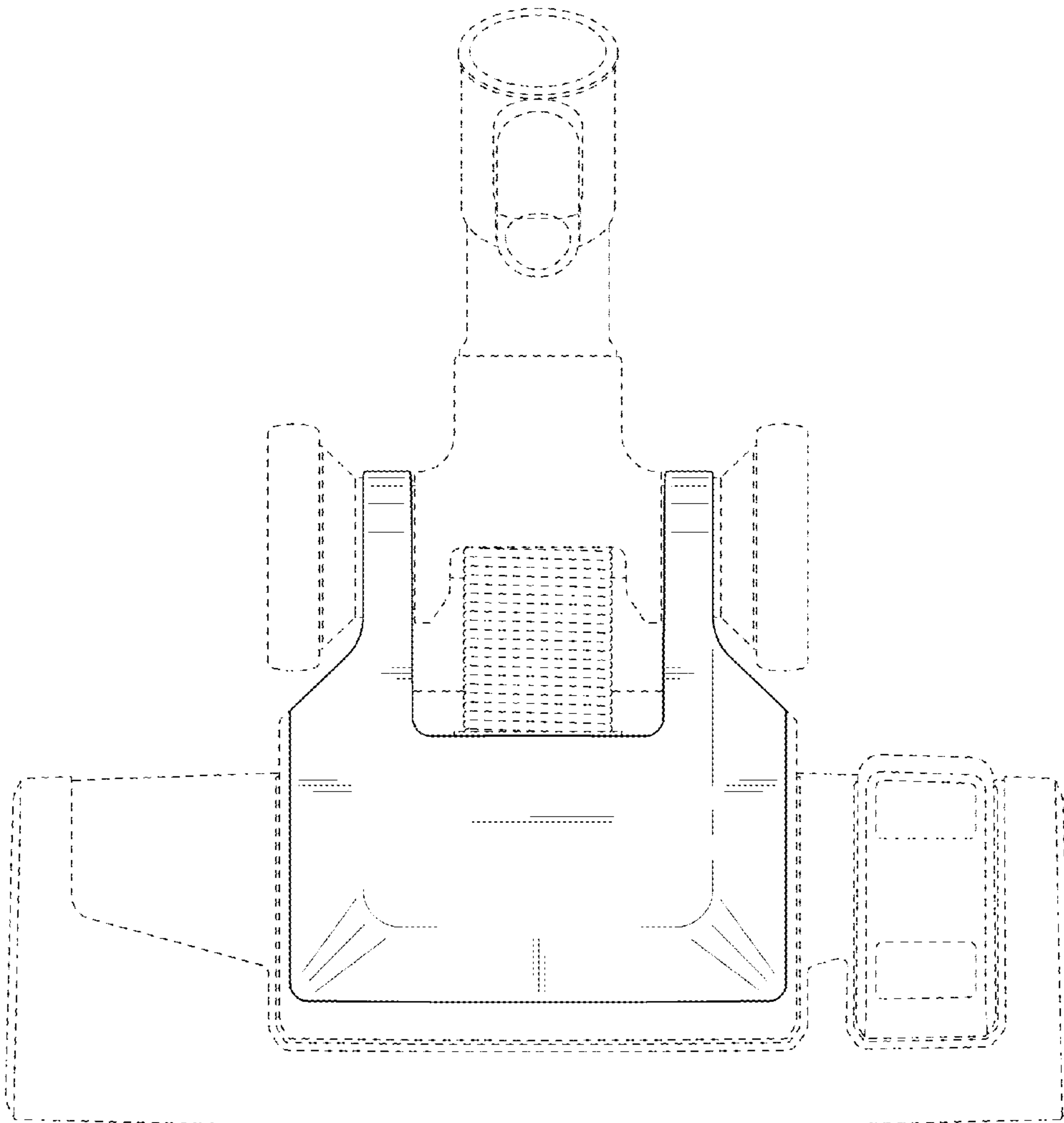


FIG. 7

