



US00D765323S

(12) **United States Design Patent**  
**Choi et al.**

(10) **Patent No.:** **US D765,323 S**

(45) **Date of Patent:** **\*\* Aug. 30, 2016**

(54) **DETERGENT CONTAINER FOR WASHING MACHINE**

(71) Applicant: **Samsung Electronics Co., Ltd.**,  
Suwon-si, Gyeonggi-do (KR)

(72) Inventors: **Hyoung-Sub Choi**, Goyang-si (KR);  
**Deok-Sang Yun**, Ansan-si (KR)

(73) Assignee: **SAMSUNG ELECTRONICS CO., LTD.** (KR)

(\*\*) Term: **15 Years**

(21) Appl. No.: **29/530,955**

(22) Filed: **Jun. 22, 2015**

(30) **Foreign Application Priority Data**

Dec. 22, 2014 (KR) ..... 30-2014-0062380

(51) **LOC (10) Cl.** ..... **15-05**

(52) **U.S. Cl.**  
USPC ..... **D32/29.1**

(58) **Field of Classification Search**  
USPC ..... D32/1, 5-6, 8, 25, 28, 29.1  
CPC .. D06F 33/02; D06F 39/02; D06F 2204/065;  
D06F 25/00; D06F 35/006  
See application file for complete search history.

(56) **References Cited**

**U.S. PATENT DOCUMENTS**

2,679,850	A *	6/1954	Kamp	.....	A47L 15/4409	134/93
2,812,881	A *	11/1957	Karig	.....	A47L 15/4409	134/93
2,969,072	A *	1/1961	Barritt	.....	A47L 15/4409	134/165
4,444,730	A *	4/1984	Renders	.....	D06F 39/02	134/93
4,530,370	A *	7/1985	Horky	.....	A01J 7/022	134/57 R
4,774,014	A *	9/1988	Kuenzel	.....	C11D 17/041	206/524.5
D306,224	S *	2/1990	Nystuen	.....	D32/3	
4,917,272	A *	4/1990	Ikeda	.....	B65D 88/68	222/231

D308,738	S *	6/1990	Nystuen	.....	D32/3	
D308,739	S *	6/1990	Nystuen	.....	D32/3	
D319,781	S *	9/1991	Halm	.....	D23/366	
5,063,757	A *	11/1991	Ikeda	.....	D06F 39/026	222/236
5,271,251	A *	12/1993	Kovich	.....	D06F 35/006	68/171
5,297,596	A *	3/1994	Anson	.....	B67C 11/02	141/331
D352,578	S *	11/1994	Mooney	.....	D32/3	
5,460,018	A *	10/1995	Werner	.....	D06F 23/04	475/163
5,507,414	A *	4/1996	Ong	.....	A47K 5/1214	211/65
D384,451	S *	9/1997	Leu	.....	D32/29.1	
D396,903	S *	8/1998	Leu	.....	D32/29.1	
D396,904	S *	8/1998	Leu	.....	D21/713	
2004/0025263	A1 *	2/2004	Kim	.....	D06F 35/003	8/159
2006/0059958	A1 *	3/2006	Byrne	.....	A47L 15/4463	68/17 R
2010/0095712	A1 *	4/2010	Kim	.....	D06F 39/022	68/12.18
2015/0252514	A1 *	9/2015	Seo	.....	D06F 39/028	68/17 R

\* cited by examiner

*Primary Examiner* — Michael A. Pratt  
*Assistant Examiner* — Michelle E Wilson  
(74) *Attorney, Agent, or Firm* — Cantor Colburn LLP

(57) **CLAIM**  
The ornamental design for a detergent container for washing machine, as shown and described.

**DESCRIPTION**

FIG. 1 is a perspective view of a detergent container for washing machine, showing our new design;  
FIG. 2 is a front view thereof;  
FIG. 3 is a rear view thereof;  
FIG. 4 is a side view thereof;  
FIG. 5 is another side view thereof;  
FIG. 6 is a top view thereof;  
FIG. 7 is a bottom view thereof;  
FIG. 8 is a bottom perspective view thereof; and,  
FIG. 9 is a perspective view thereof as shown in a washing machine environment.  
The broken lines in the figures are for environmental purposes only and form no part of the claimed design.

**1 Claim, 9 Drawing Sheets**

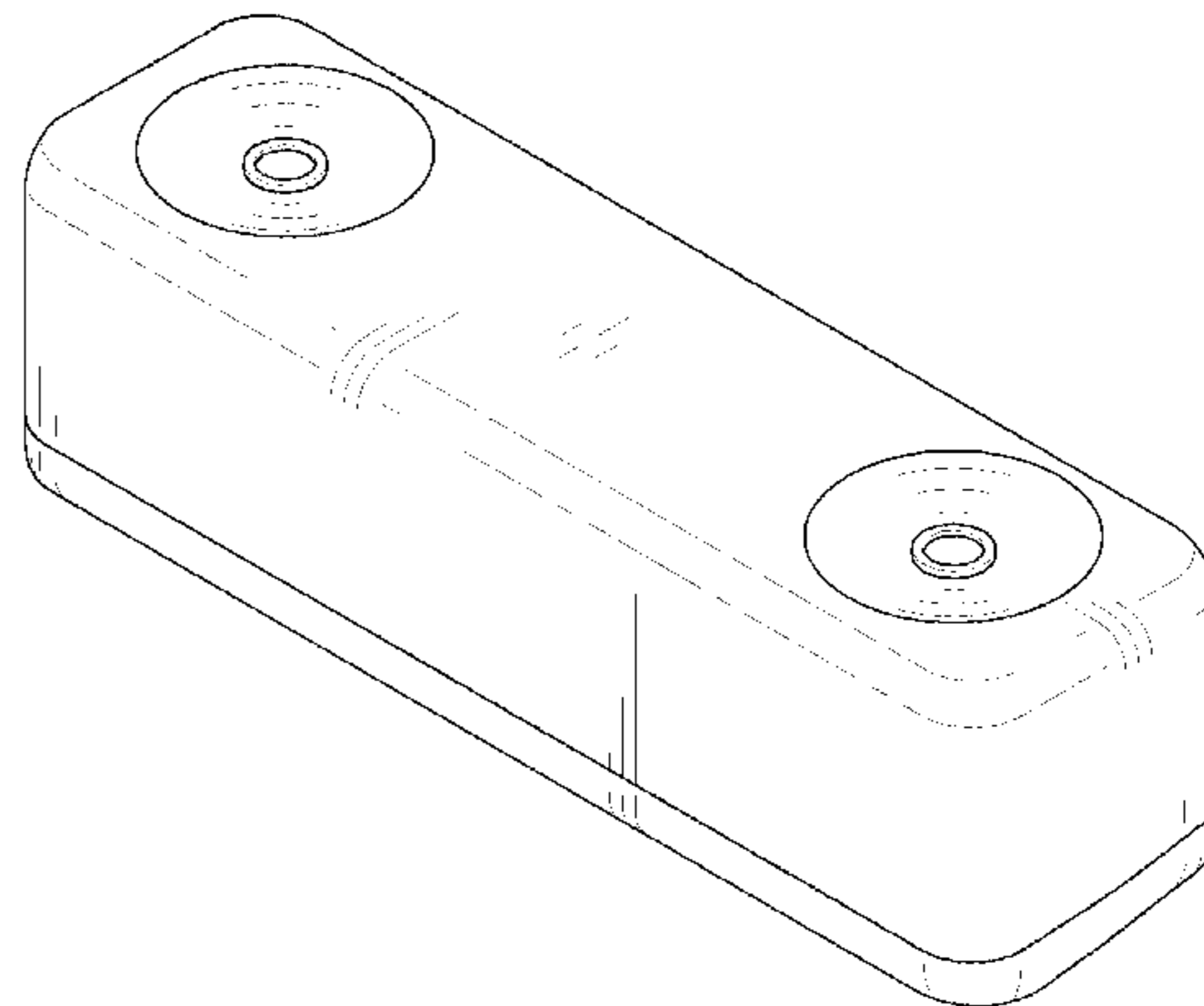
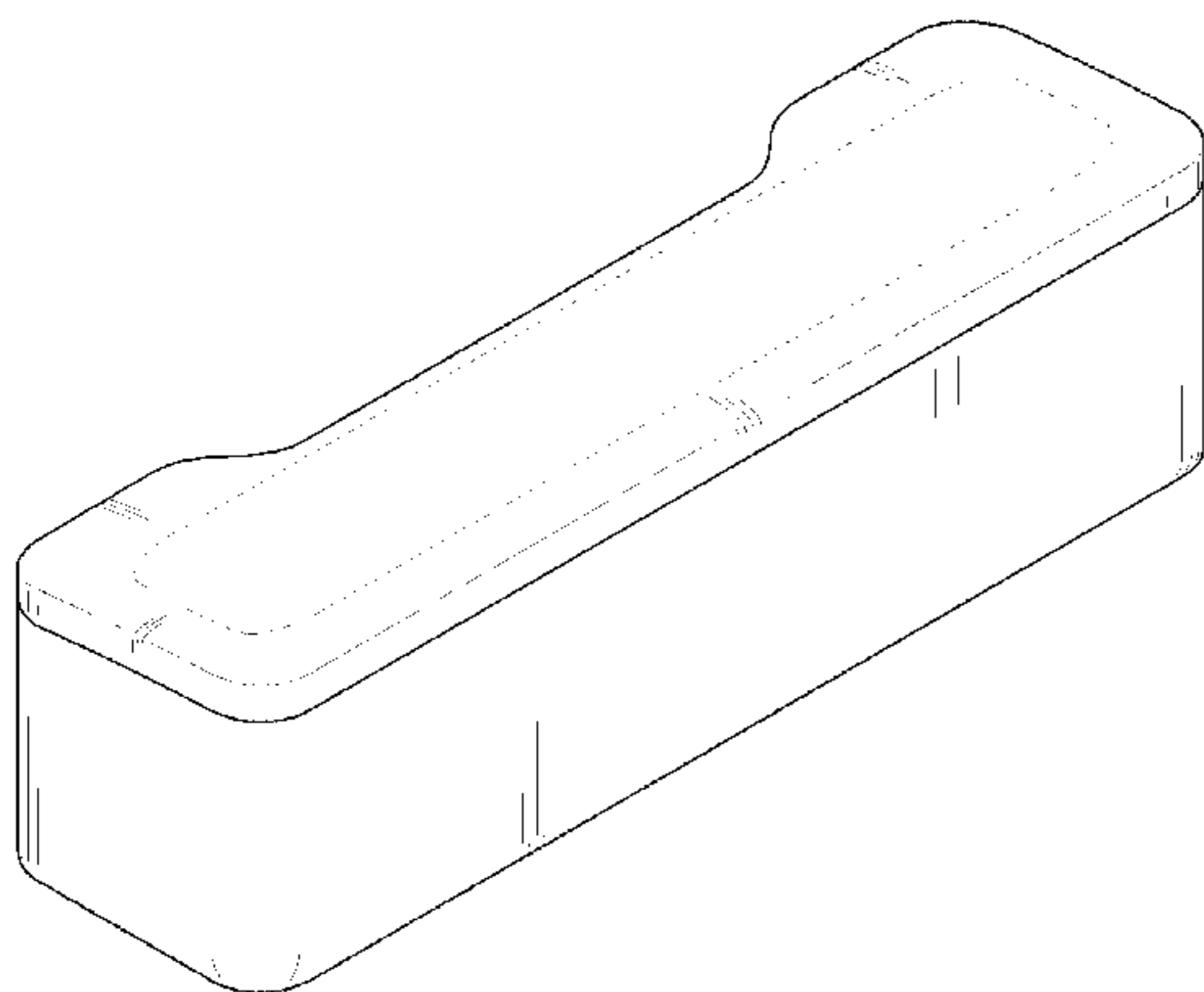


FIG. 1

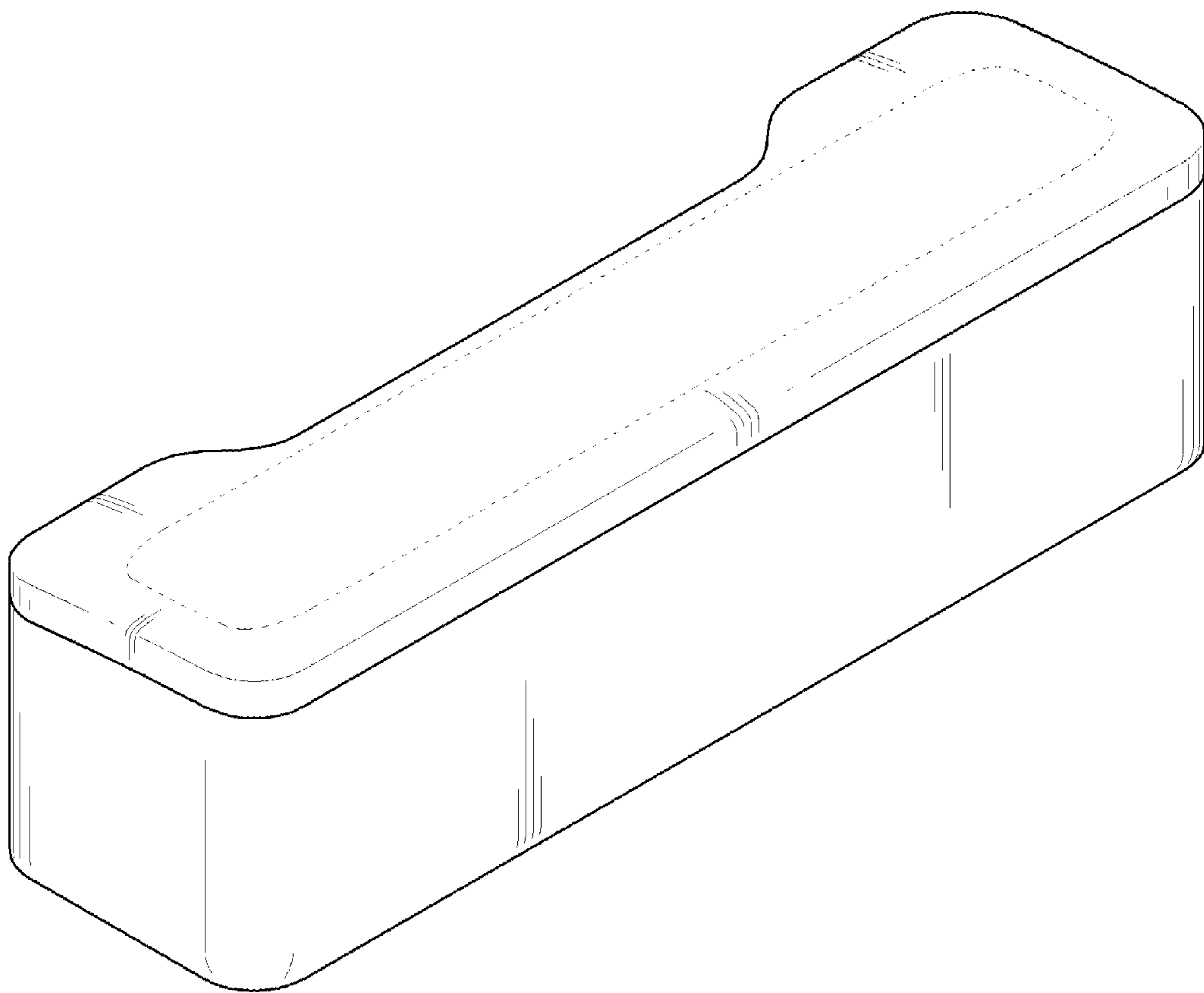


FIG. 2

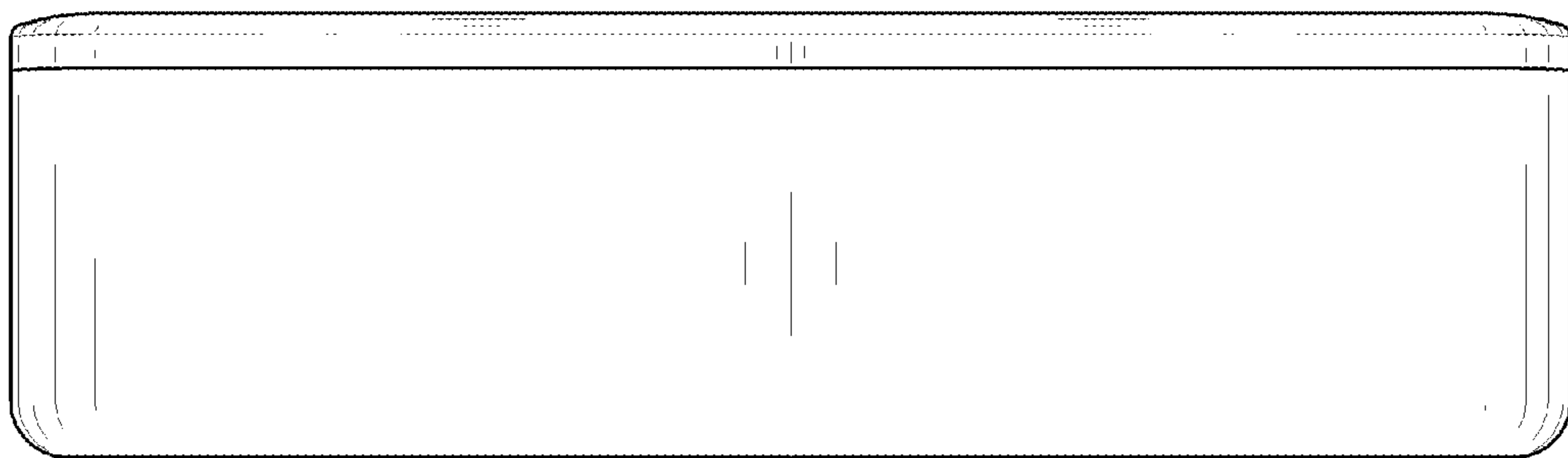


FIG. 3

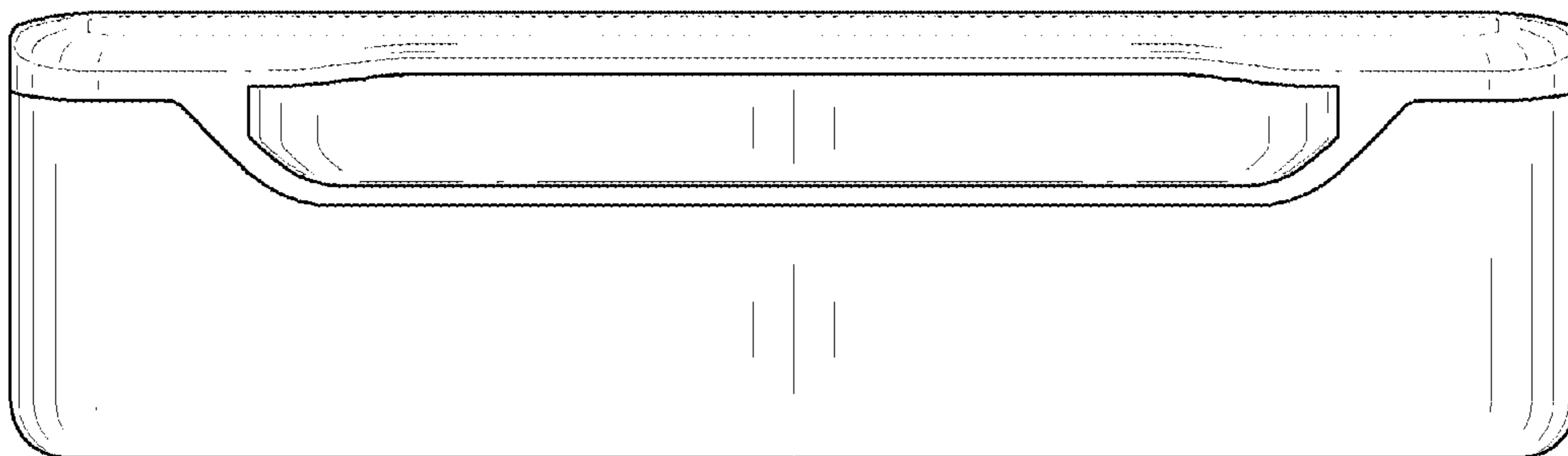


FIG. 4

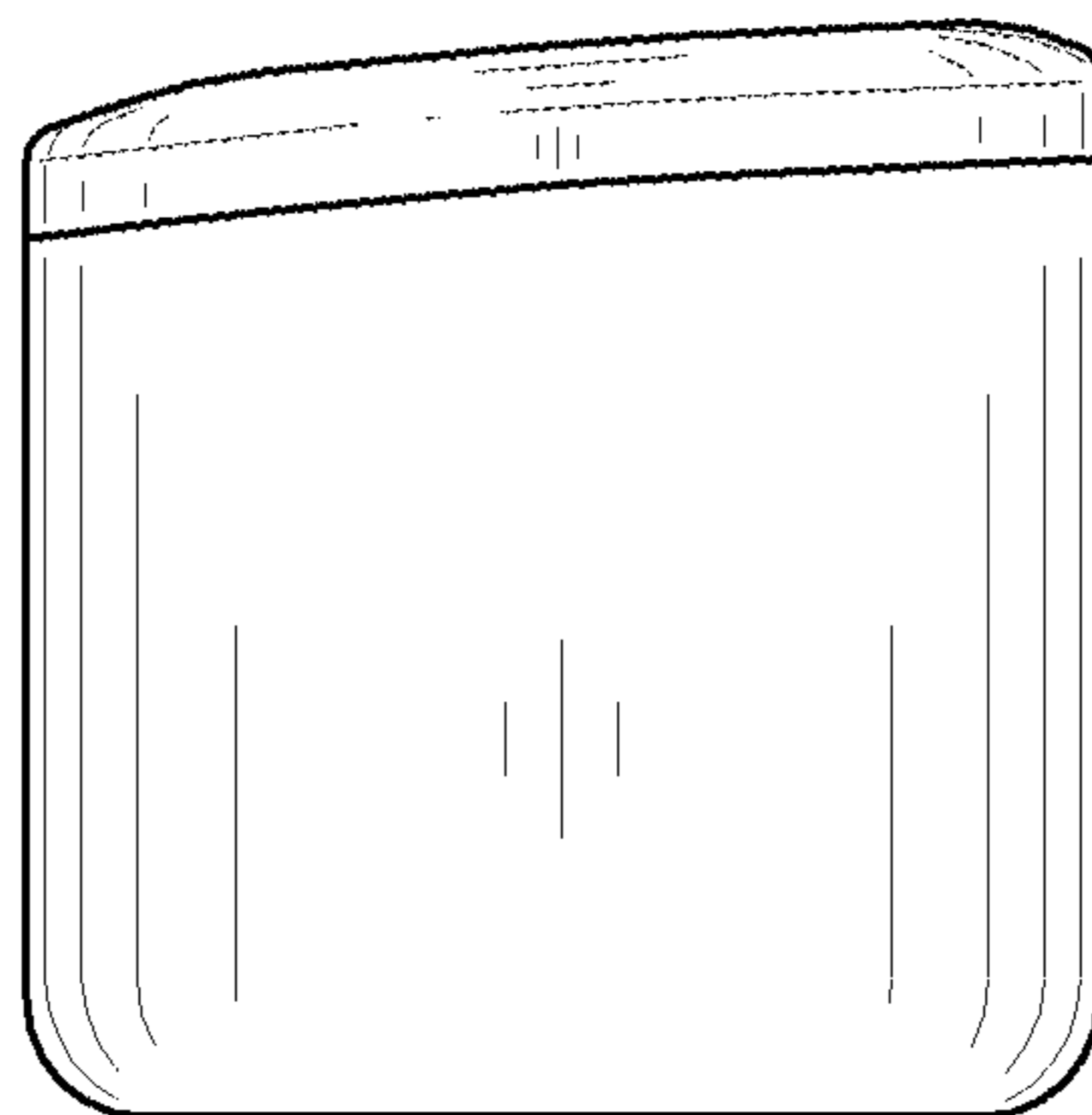


FIG. 5

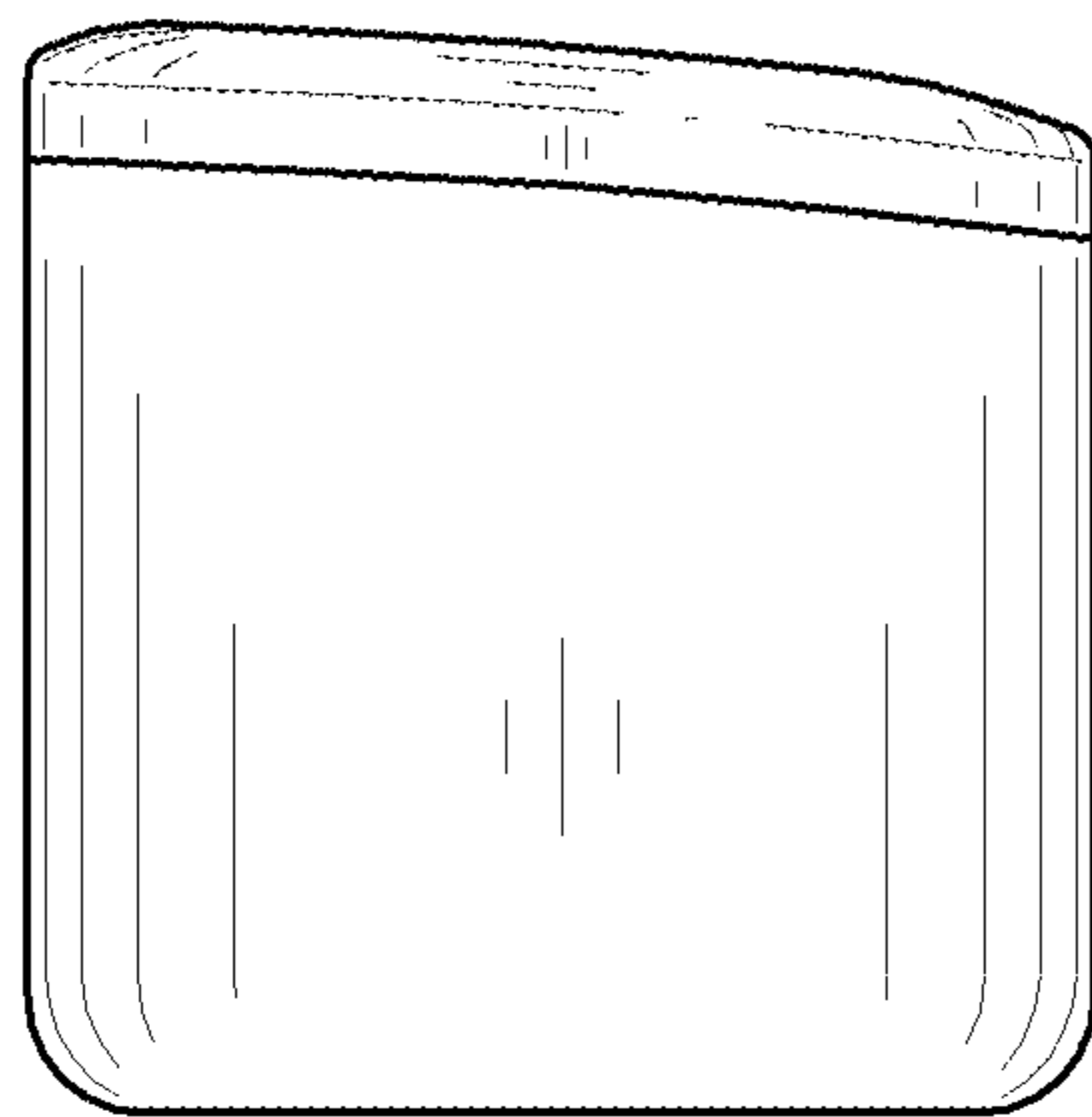


FIG. 6

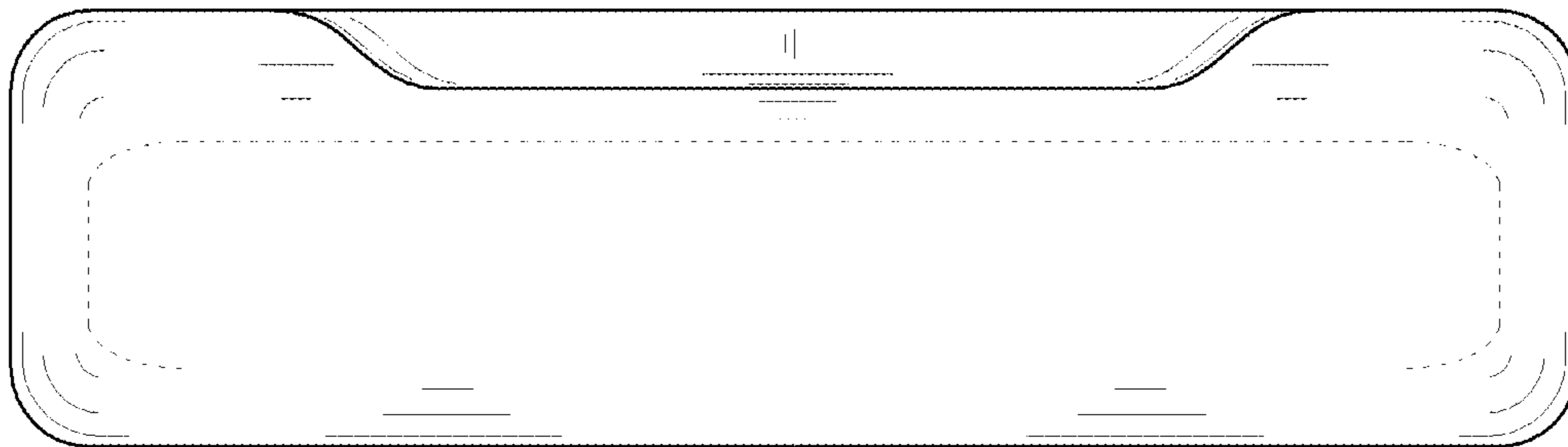


FIG. 7

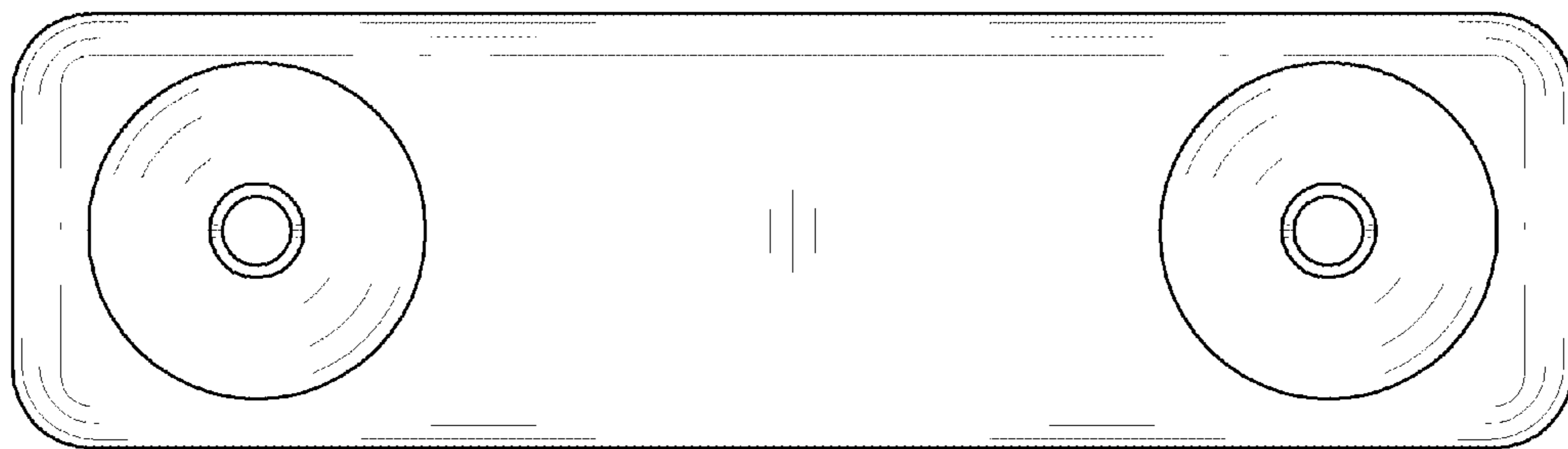




FIG. 8

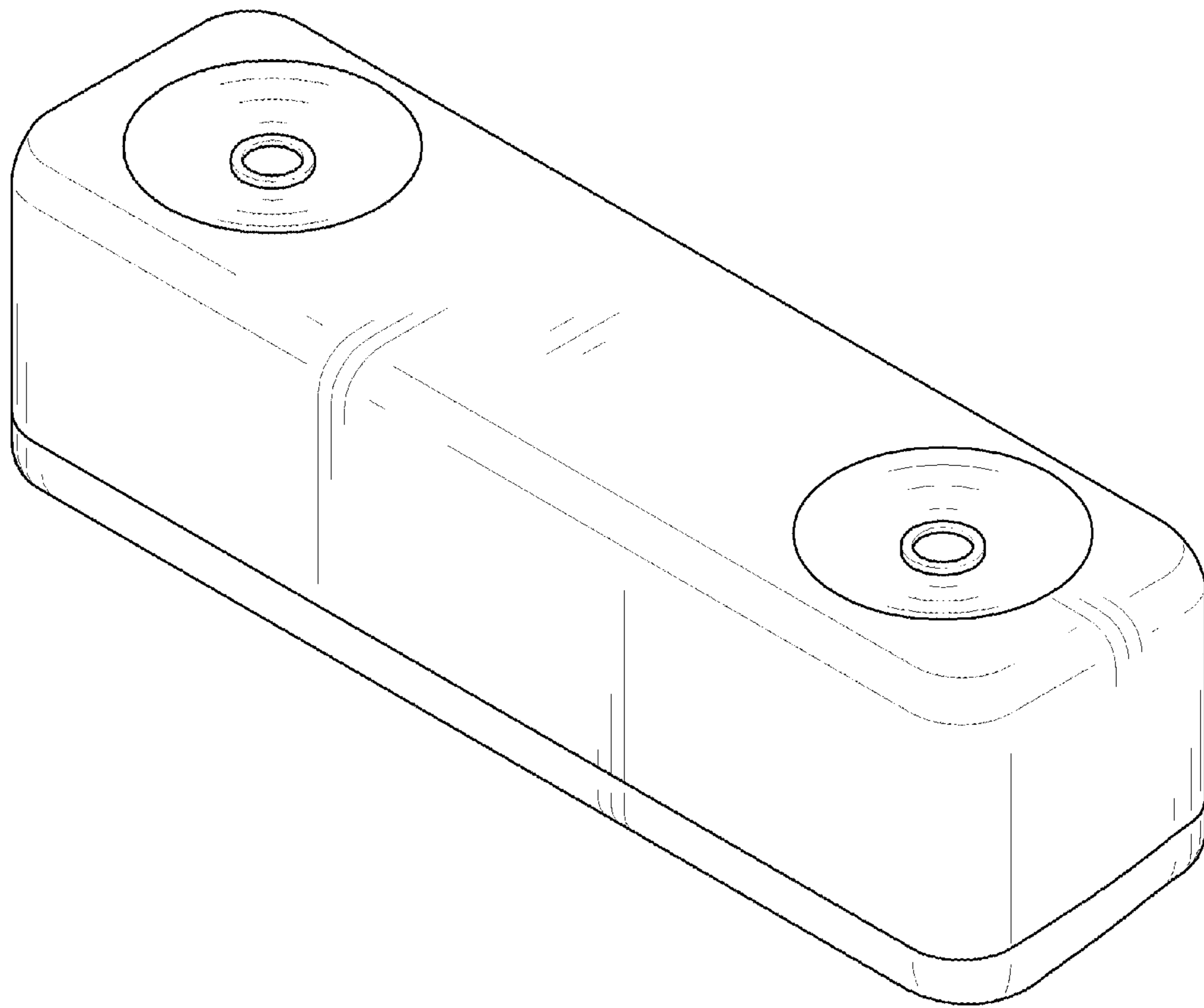


FIG. 9

