



US00D765322S

(12) **United States Design Patent** (10) **Patent No.:** **US D765,322 S**  
**Grieve** (45) **Date of Patent:** **\*\* Aug. 30, 2016**

(54) **APPARATUS FOR CLEANING AIR FILTERS**

FOREIGN PATENT DOCUMENTS

- (71) Applicant: **Dennis Grieve**, Star, ID (US)
- (72) Inventor: **Dennis Grieve**, Star, ID (US)
- (73) Assignee: **Gita Green, Inc.**, Spencer, IA (US)
- (\*\*) Term: **14 Years**
- (21) Appl. No.: **29/478,189**
- (22) Filed: **Jan. 2, 2014**

DE	3920097	2/1990
EP	2027905	2/2009

*Primary Examiner* — T. Chase Nelson  
*Assistant Examiner* — Michelle E Wilson  
 (74) *Attorney, Agent, or Firm* — James Ray and Assocs;  
 Alexander Pokot

(57) **CLAIM**  
 The ornamental design for apparatus for cleaning air filters, as shown and described.

**Related U.S. Application Data**

**DESCRIPTION**

- (63) Continuation-in-part of application No. 13/602,424, filed on Sep. 4, 2012, now Pat. No. 8,668,782, which is a continuation of application No. PCT/US2011/047180, filed on Aug. 10, 2011.
- (51) **LOC (10) Cl.** ..... **15-05**
- (52) **U.S. Cl.**  
 USPC ..... **D32/4**
- (58) **Field of Classification Search**  
 USPC ..... D23/365; D32/4; D21/526  
 CPC ..... B01D 41/04; B01D 46/00; F02M 35/00  
 See application file for complete search history.

FIG. 1 is a perspective view of a partial enlarged view of the apparatus of FIG. 8.  
 FIG. 2 is a front elevation view of a partial enlarged view of the apparatus of FIG. 8.  
 FIG. 3 is a rear elevation view of a partial enlarged view of the apparatus of FIG. 8.  
 FIG. 4 is a right side elevation view of a partial enlarged view of the apparatus of FIG. 8.  
 FIG. 5 is a left side elevation view of a partial enlarged view of the apparatus of FIG. 8.  
 FIG. 6 is top planar view of a partial enlarged view of the apparatus of FIG. 8.  
 FIG. 7 is a bottom planar view of a partial enlarged view of the apparatus of FIG. 8; and,  
 FIG. 8 is a perspective view of an apparatus for cleaning air filters shown in full.  
 The broken lines showing air filter and actuating trigger are for environmental purposes only and form no part of the claimed design.  
 The apparatus for cleaning air filters in FIG. 8 is shown with a symbolic break in its length. The appearance of any portion of the article between the break lines forms no part of the claimed design. The broken away lines shown in FIGS. 1 through 7 views are for purposes of allowing the enlarged, partial views of the full apparatus to fit on the drawing page.

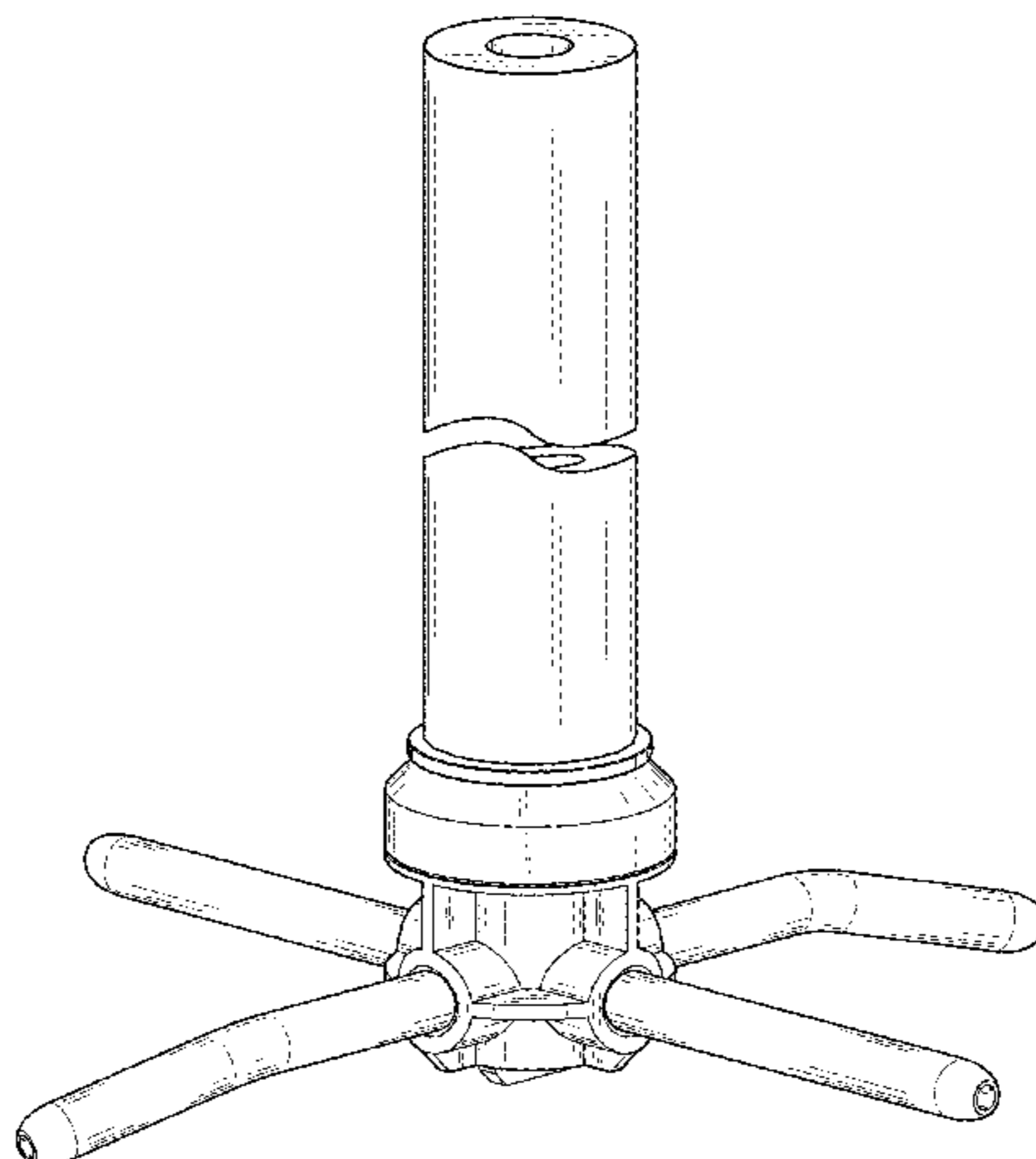
(56) **References Cited**

U.S. PATENT DOCUMENTS

2,226,870	A	12/1940	McDevitt	
2,432,290	A	12/1947	Davis	
2,716,238	A	8/1955	Hall, Sr.	
3,174,490	A	3/1965	Flarsheim	
3,442,276	A	5/1969	Hanish et al.	
3,604,437	A	9/1971	Tappan, Jr.	
3,606,897	A	9/1971	Tobin	
3,688,780	A	9/1972	Everroad	
3,733,639	A *	5/1973	Timian	F02M 35/00 15/304
3,765,051	A *	10/1973	Wanat	B01D 41/04 134/152

(Continued)

**1 Claim, 6 Drawing Sheets**



(56)

**References Cited**

U.S. PATENT DOCUMENTS

3,958,296 A	5/1976	Fell		5,182,832 A	2/1993	McMahon	
4,048,693 A *	9/1977	Axelrod .....	B01D 46/00	5,228,993 A	7/1993	Drori	
			15/310	5,263,503 A	11/1993	St. Jean	
4,299,245 A	11/1981	Clapper		5,565,012 A	10/1996	Buodd	
4,377,401 A	3/1983	Laughlin		5,584,900 A	12/1996	Zaiser et al.	
4,802,983 A	2/1989	Howeth		D439,646 S *	3/2001	McMahon .....	D23/365
4,810,270 A	3/1989	Terry et al.		6,280,491 B1	8/2001	Oke	
4,826,512 A	5/1989	Fuller		6,283,305 B1	9/2001	Maeda et al.	
4,935,126 A	6/1990	Drori		6,368,390 B1	4/2002	Bitner et al.	
5,078,763 A	1/1992	Blount-Gillette		6,588,057 B2	7/2003	McMahon	
5,135,580 A	8/1992	Cantrell et al.		7,815,701 B2	10/2010	Grieve	
				8,668,782 B2 *	3/2014	Grieve .....	B01D 41/04 134/166 R

\* cited by examiner

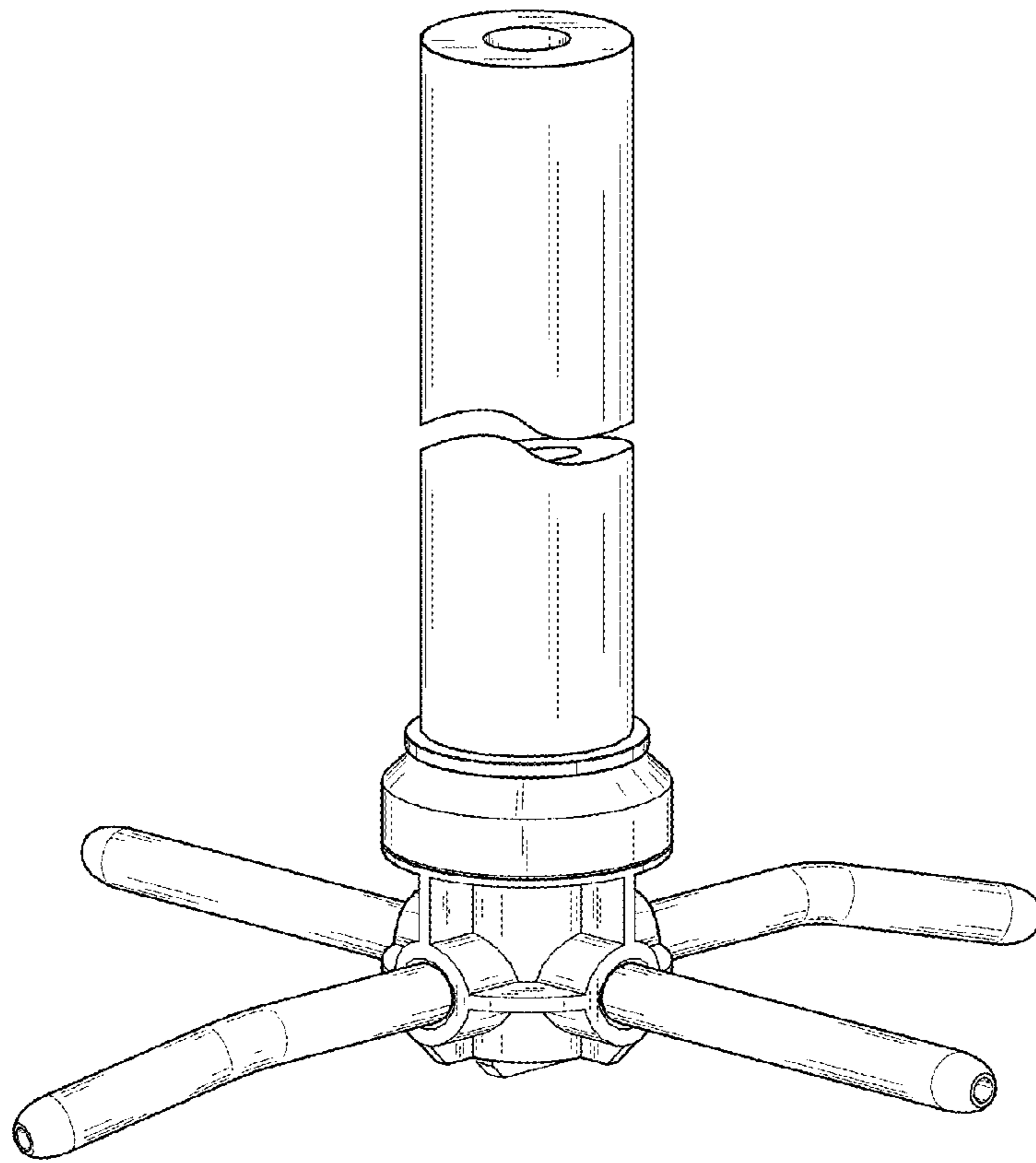


FIG. 1

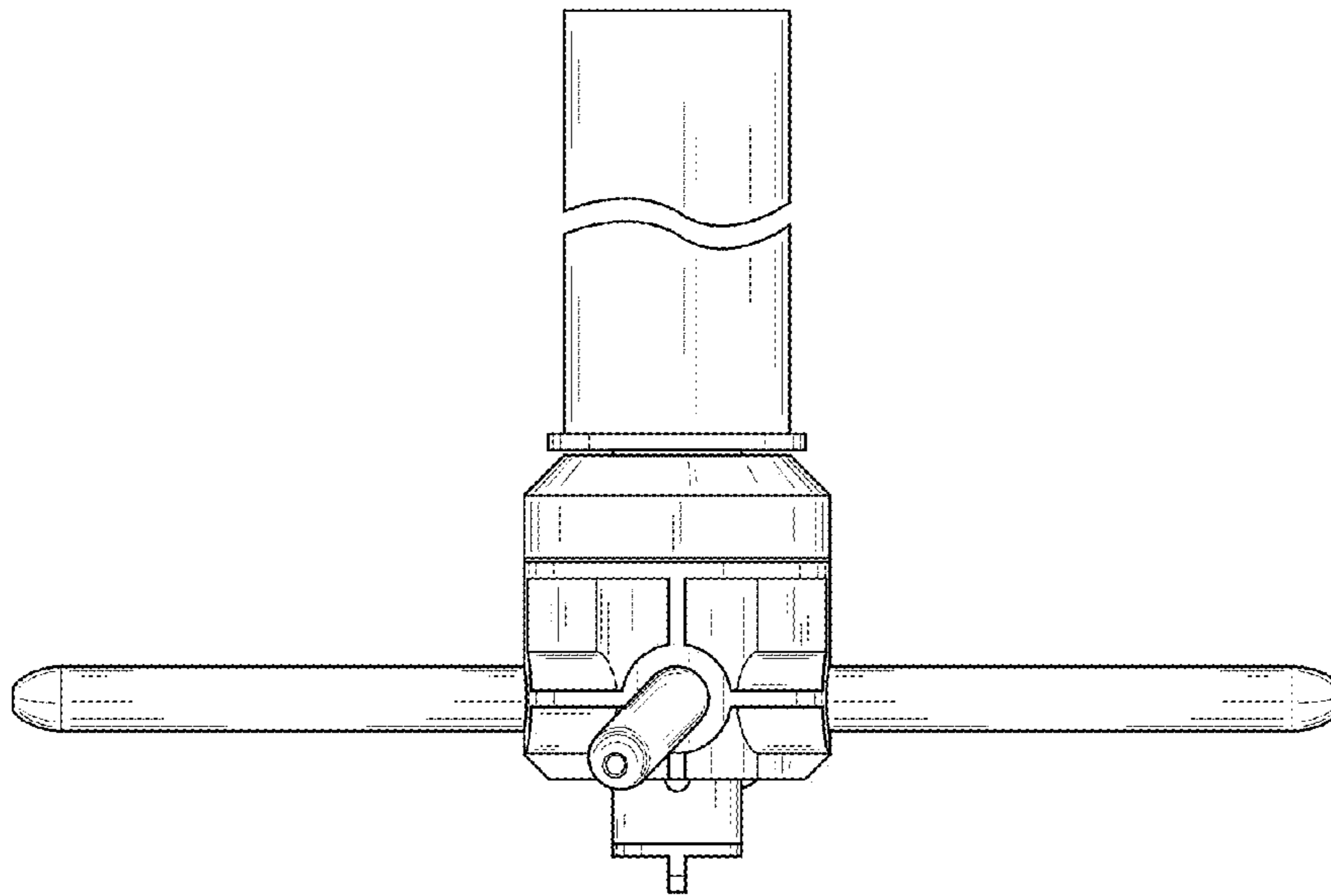


FIG. 2

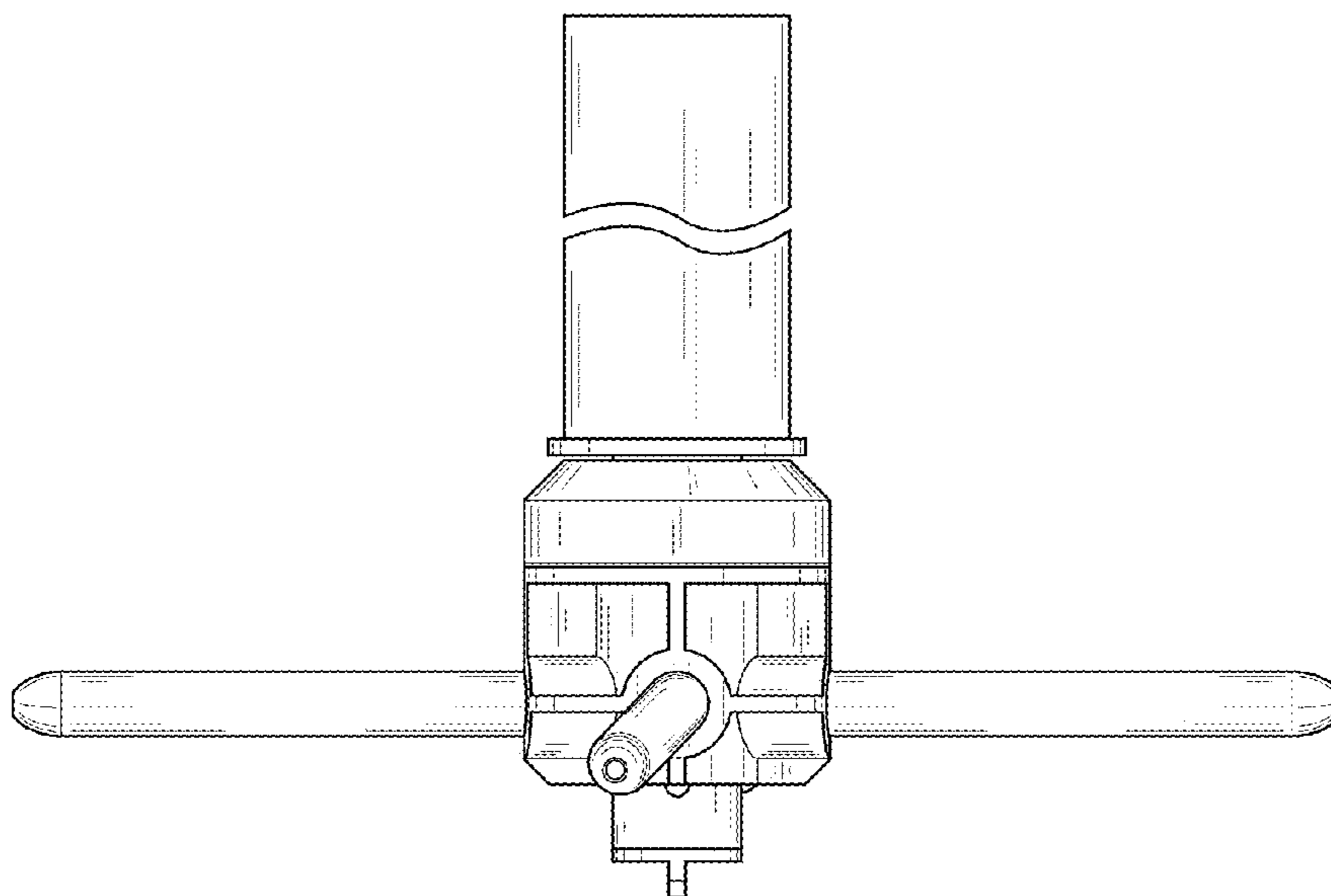


FIG. 3

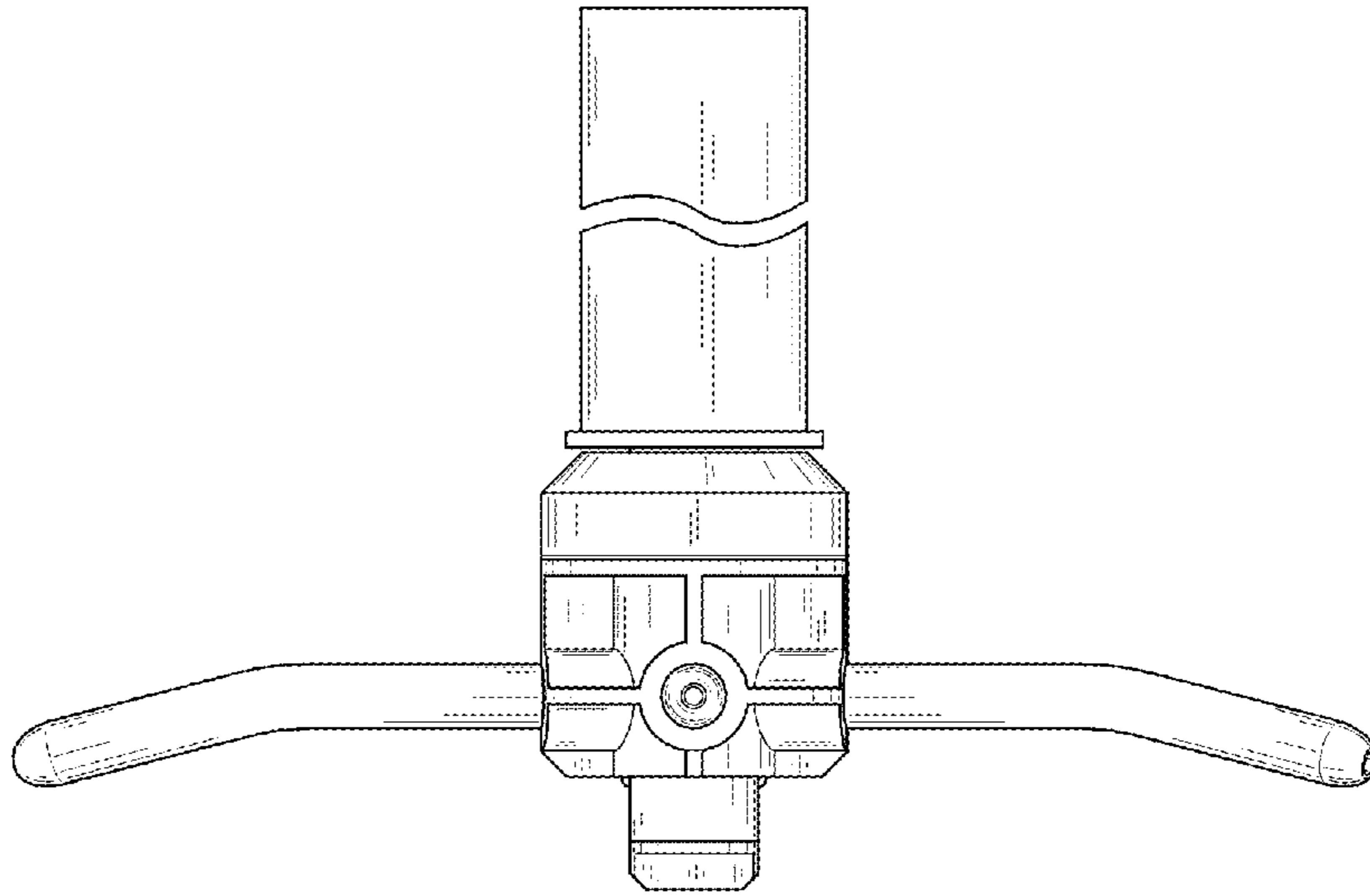


FIG. 4

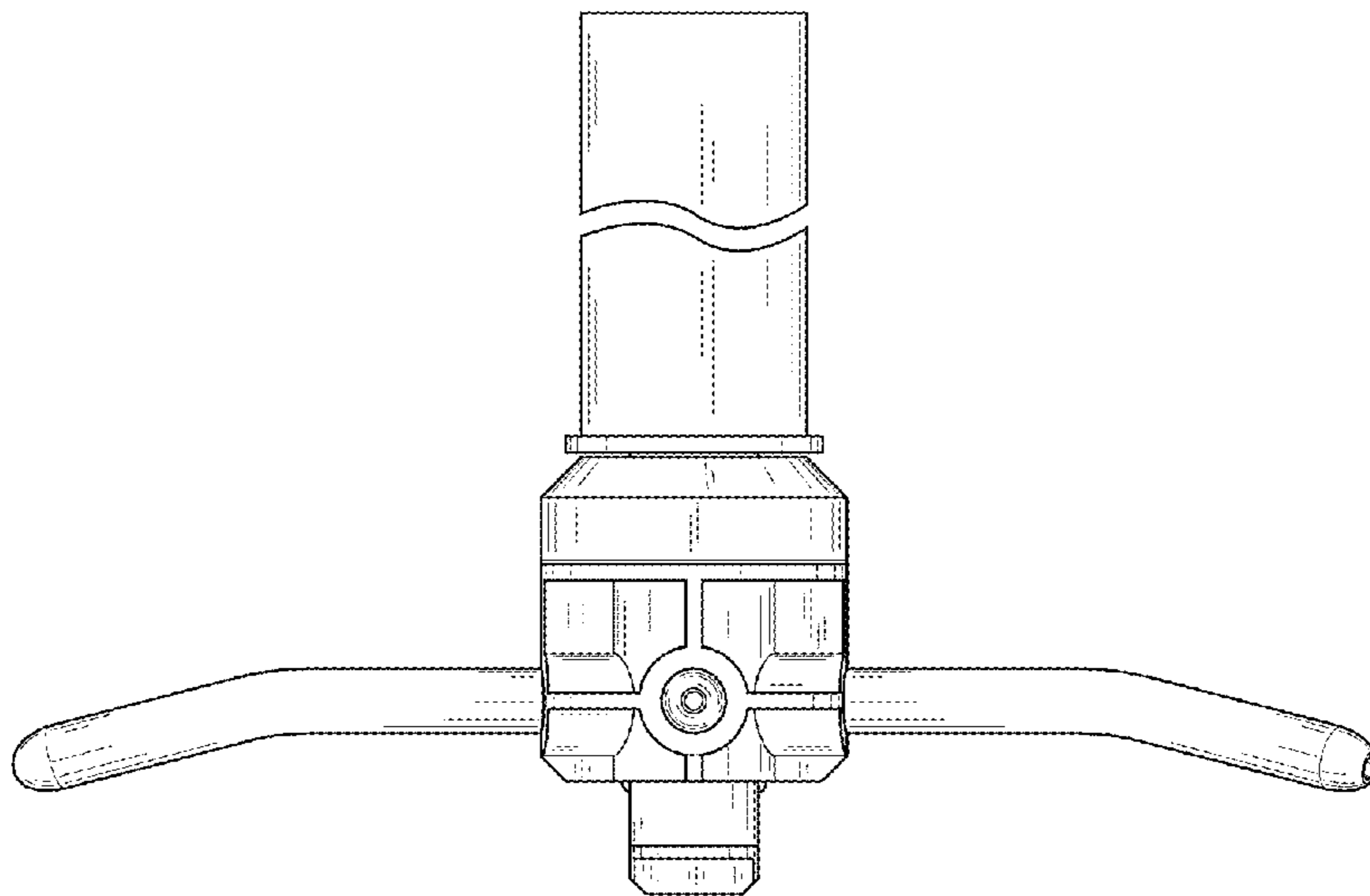


FIG. 5

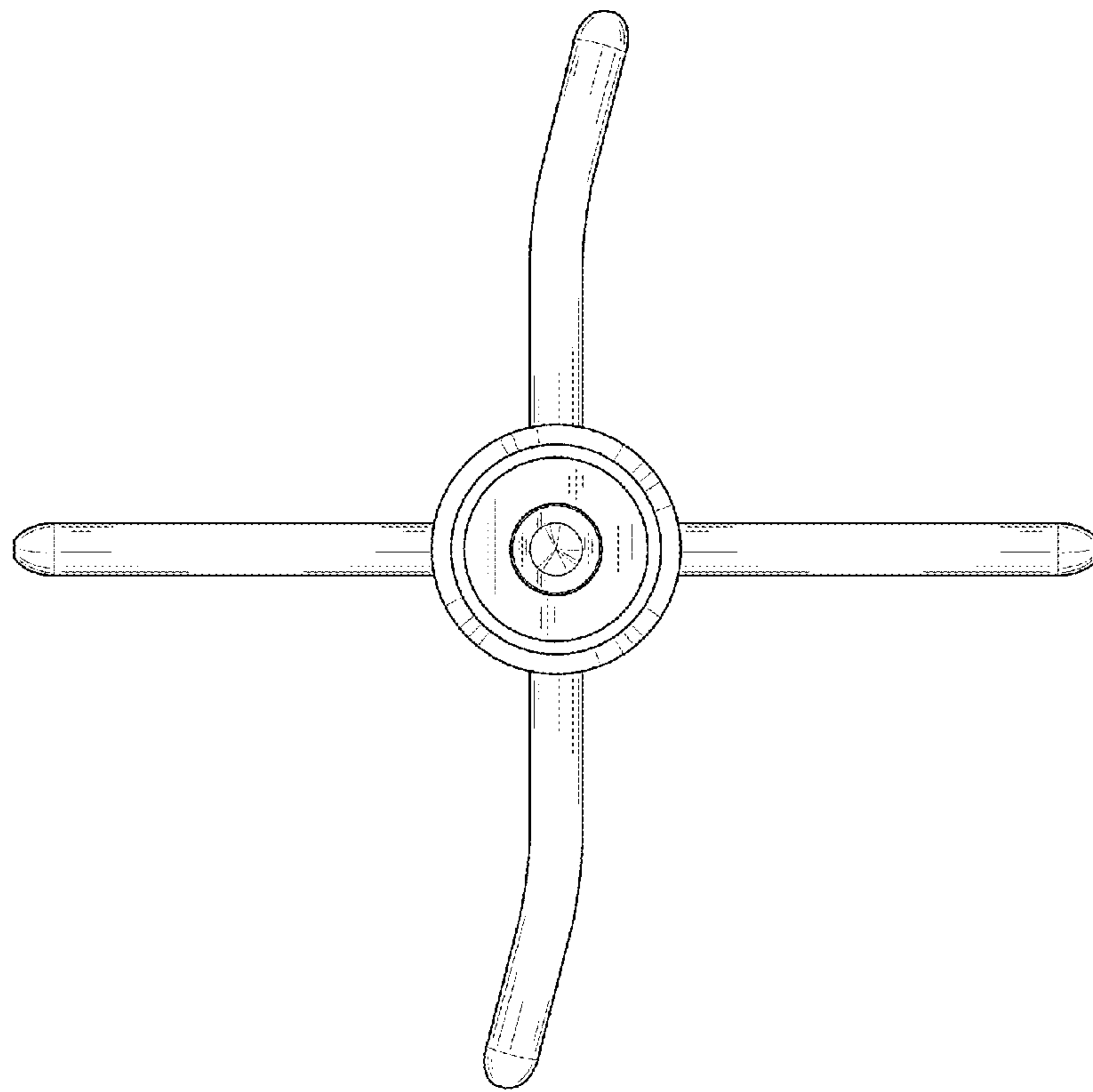


FIG. 6

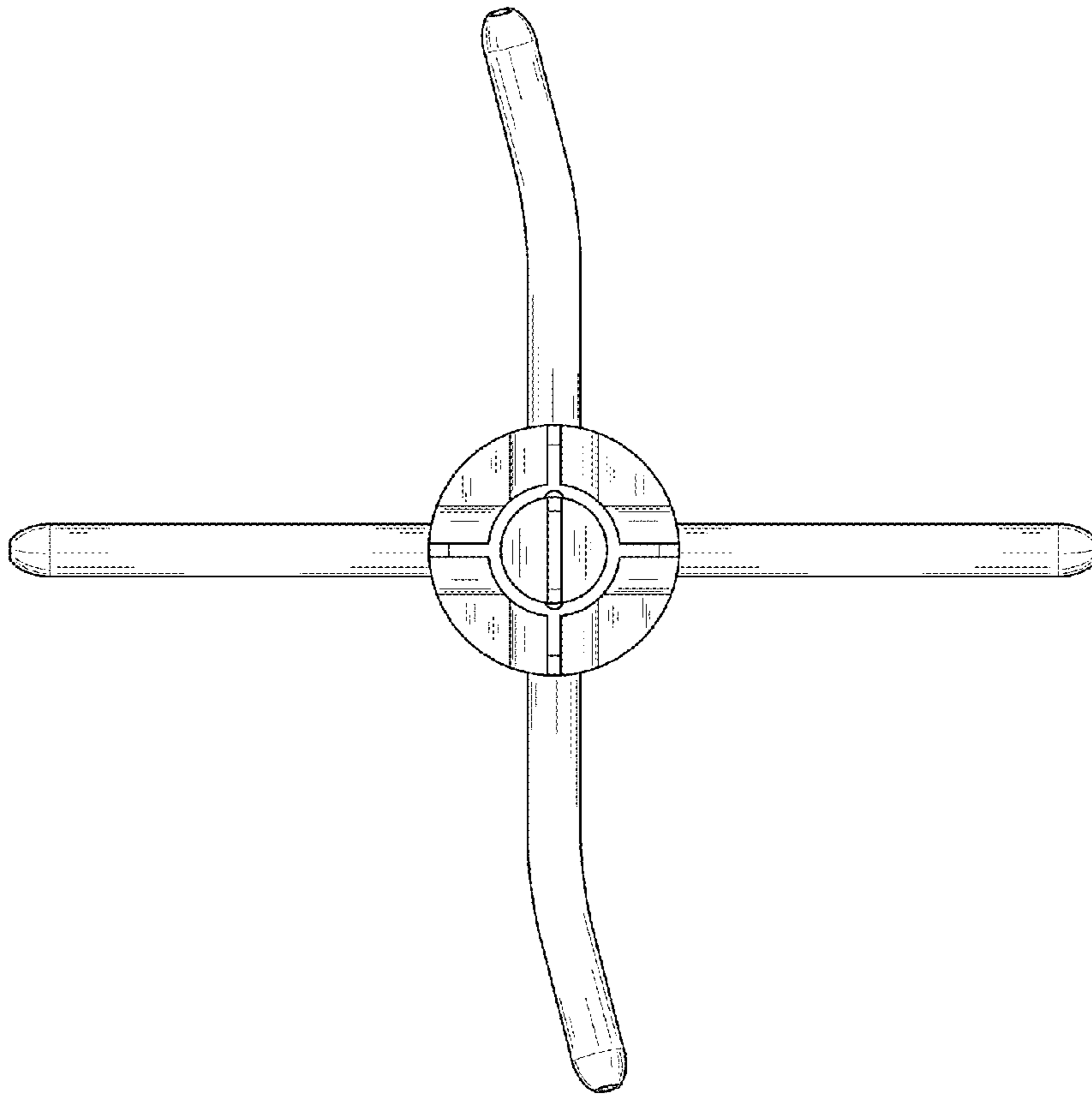


FIG. 7



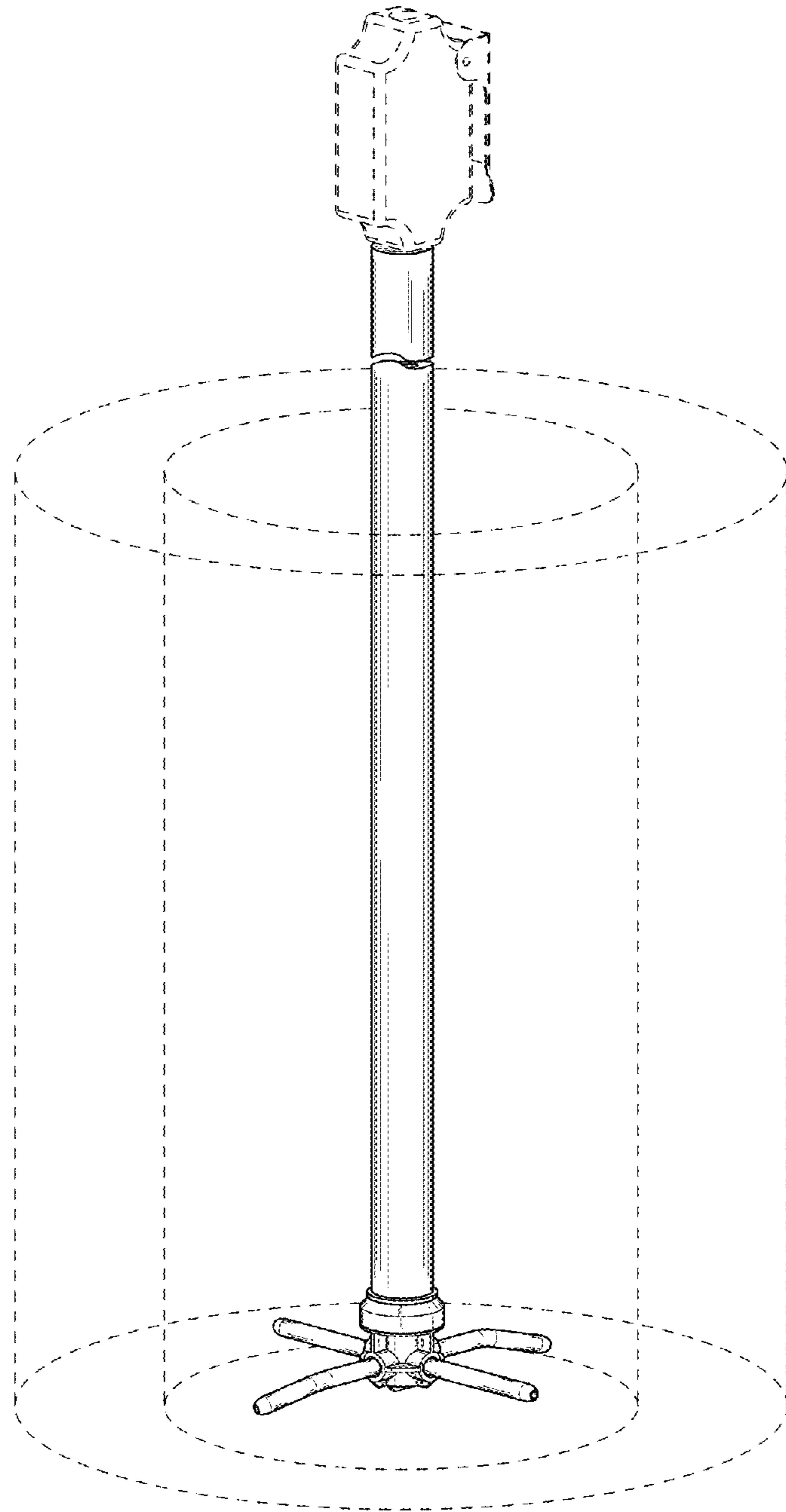


FIG. 8