



US00D765321S

(12) **United States Design Patent** (10) **Patent No.:** **US D765,321 S**
Fuller et al. (45) **Date of Patent:** **** Aug. 30, 2016**

- (54) **DISHWASHER WINDOW**
- (71) Applicant: **Whirlpool Corporation**, Benton Harbor, MI (US)
- (72) Inventors: **Mallory A. Fuller**, Orland Park, IL (US); **John A. Hall**, Holland, MI (US); **Michael Kahwaji**, St. Joseph, MI (US); **Jason W. Tippetts**, Stevensville, MI (US); **Ameresh B. Viswanathan**, St. Joseph, MI (US); **Anthony B. Welsh**, St. Joseph, MI (US)
- (73) Assignee: **Whirlpool Corporation**, Benton Harbor, MI (US)
- (**) Term: **14 Years**
- (21) Appl. No.: **29/525,730**
- (22) Filed: **May 1, 2015**
- (51) **LOC (10) Cl.** **15-05**
- (52) **U.S. Cl.**
USPC **D32/3**
- (58) **Field of Classification Search**
USPC D32/2, 3, 5, 25, 28; D15/91; D7/405, D7/406; 134/175, 176, 177; D12/404, 183; D25/48.7
CPC ... A47L 15/00; A47L 15/0002; A47L 15/50; A47L 15/0005
See application file for complete search history.

- (56) **References Cited**
U.S. PATENT DOCUMENTS
- | | | | | |
|--------------|--------|-------------|-------|----------|
| D313,678 S * | 1/1991 | Yamaguchi | | D32/2 |
| D391,695 S * | 3/1998 | Baldwin | | D32/3 |
| D412,807 S * | 8/1999 | Noda | | 126/19 M |
| D418,952 S * | 1/2000 | Roberts | | D32/3 |
| D423,287 S * | 4/2000 | Marchand | | D32/25 |
| D516,758 S * | 3/2006 | Kirk | | D32/3 |
| D542,935 S * | 5/2007 | Tedford | | D25/48.7 |
| D569,881 S * | 5/2008 | Rand | | D15/89 |
| D577,472 S * | 9/2008 | Crookshanks | | D32/28 |
| D589,989 S * | 4/2009 | Crookshanks | | D15/89 |

- | | | | | |
|-------------------|---------|-------------|-------|---------------------------|
| D603,055 S * | 10/2009 | Ray | | D25/48.7 |
| D670,969 S * | 11/2012 | Bengtson | | D7/406 |
| D677,025 S * | 2/2013 | Borjesson | | D32/3 |
| D692,628 S * | 10/2013 | Eng | | D32/2 |
| D698,506 S * | 1/2014 | Eng | | D32/3 |
| D706,997 S * | 6/2014 | Eng | | D32/3 |
| D711,551 S * | 8/2014 | Kalkhoven | | D25/48.7 |
| D719,679 S * | 12/2014 | Diether | | D25/48.7 |
| D721,919 S * | 2/2015 | Funnell, II | | D7/406 |
| D732,761 S * | 6/2015 | Roberson | | D32/3 |
| D736,027 S * | 8/2015 | Funnell, II | | D7/339 |
| D742,688 S * | 11/2015 | Funnell, II | | D7/405 |
| D743,121 S * | 11/2015 | Roberson | | D32/3 |
| D745,753 S * | 12/2015 | Roberson | | D32/3 |
| D745,755 S * | 12/2015 | Roberson | | D32/3 |
| D746,003 S * | 12/2015 | Shin | | D32/2 |
| D748,353 S * | 1/2016 | Roberson | | D32/3 |
| 2013/0125937 A1 * | 5/2013 | Baldwin | | A47L 15/4293
134/56 D |
| 2013/0125939 A1 * | 5/2013 | Baldwin | | A47L 15/4293
134/57 DL |
| 2013/0228202 A1 * | 9/2013 | Welch | | A47L 15/4259
134/200 |
| 2015/0173586 A1 * | 6/2015 | Kutto | | A47L 15/4265
312/228 |
| 2015/0374200 A1 * | 12/2015 | Kutto | | A47L 15/4265
312/228 |

* cited by examiner

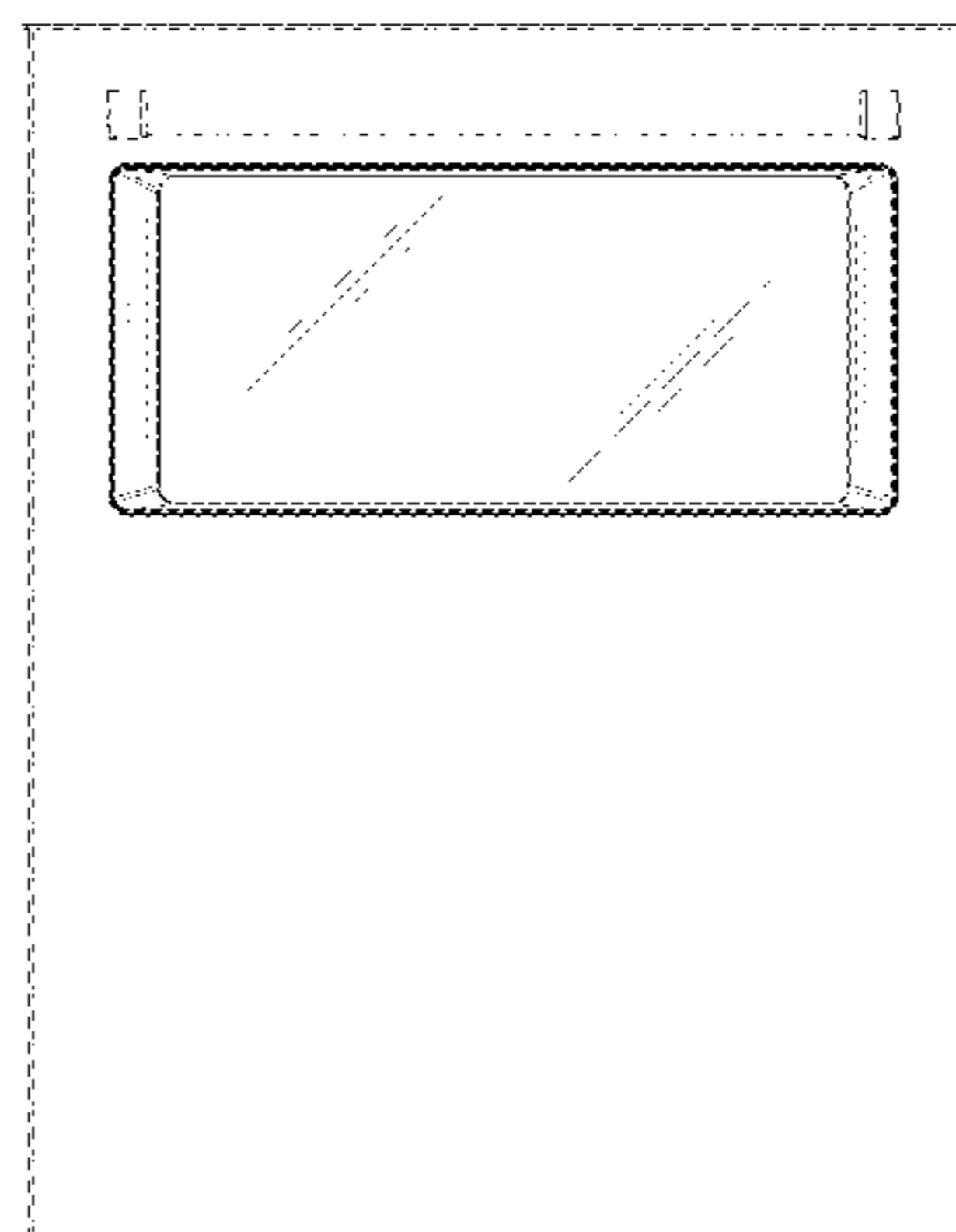
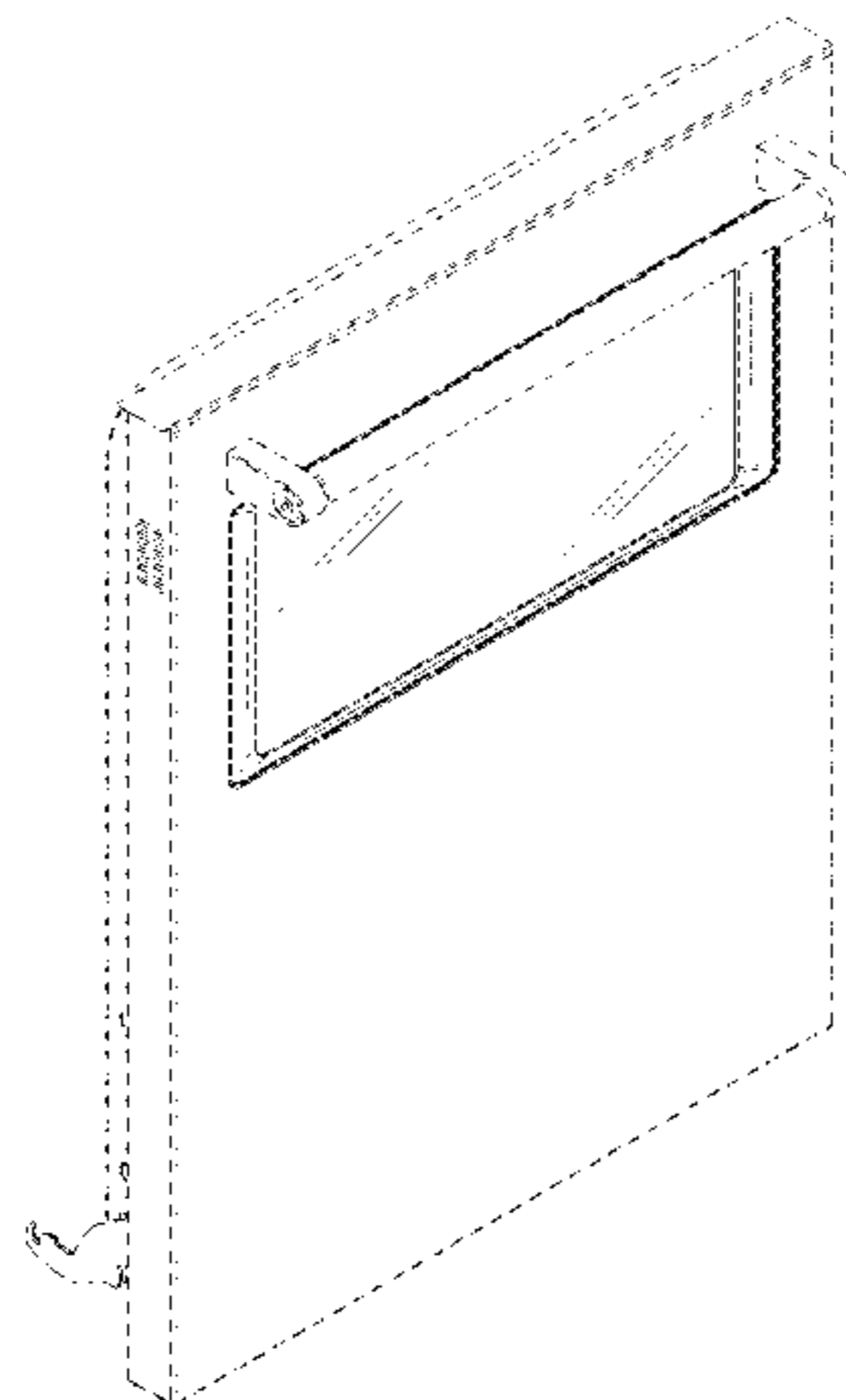
Primary Examiner — Rosemary K Tarcza
Assistant Examiner — Yolanda Robinson

(57) **CLAIM**
We claim the ornamental design for a dishwasher window, as shown and described.

DESCRIPTION

FIG. 1 is a front perspective view of one embodiment of a dishwasher window of the present disclosure; FIG. 2 is a front elevational view of the dishwasher window of FIG. 1; and, FIG. 3 is a rear elevational view of the dishwasher window of FIG. 1. The broken lines shown in the figures are for the purpose of illustrating unclaimed portions of the dishwasher window, and form no part of the claimed design.

1 Claim, 3 Drawing Sheets



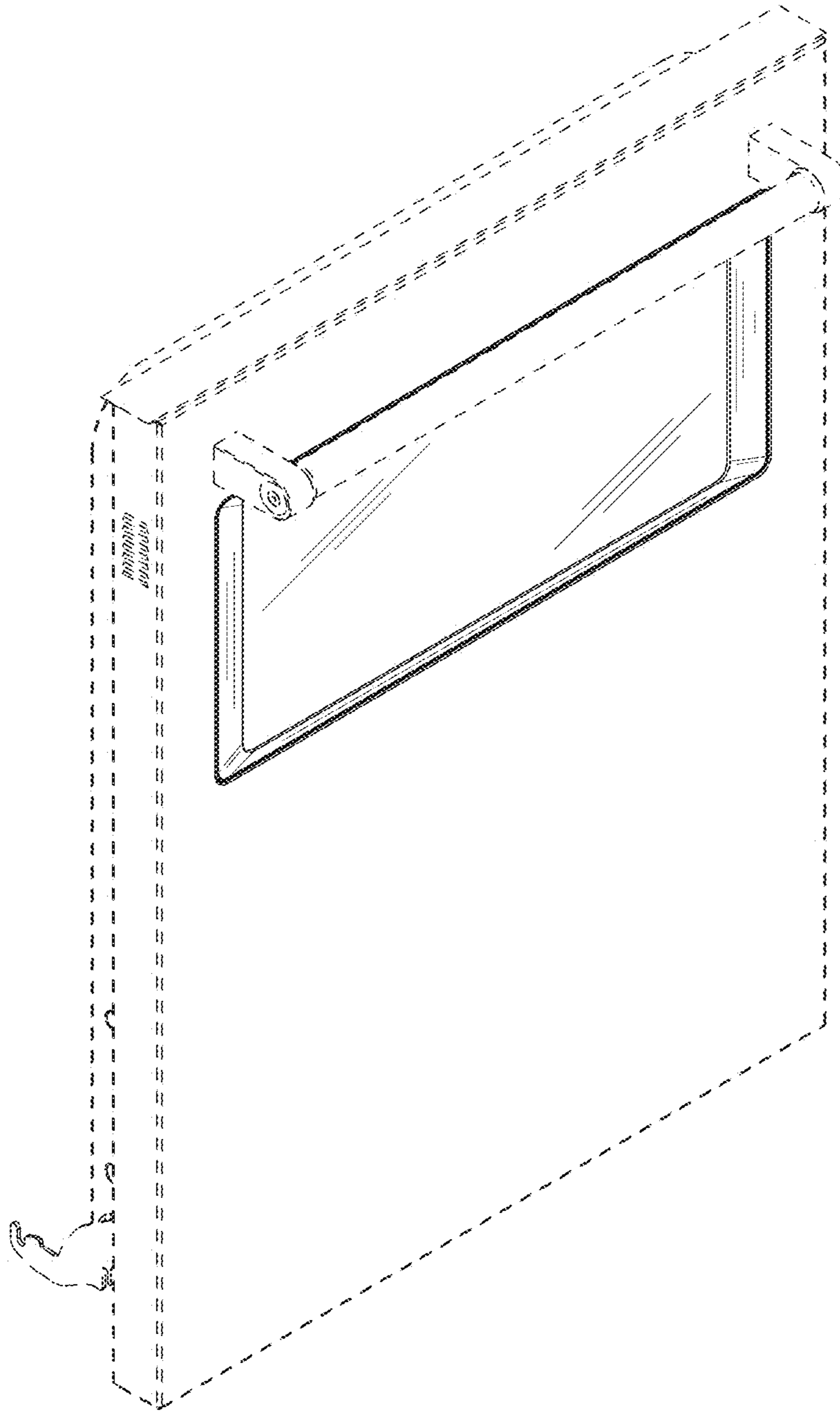


FIG. 1

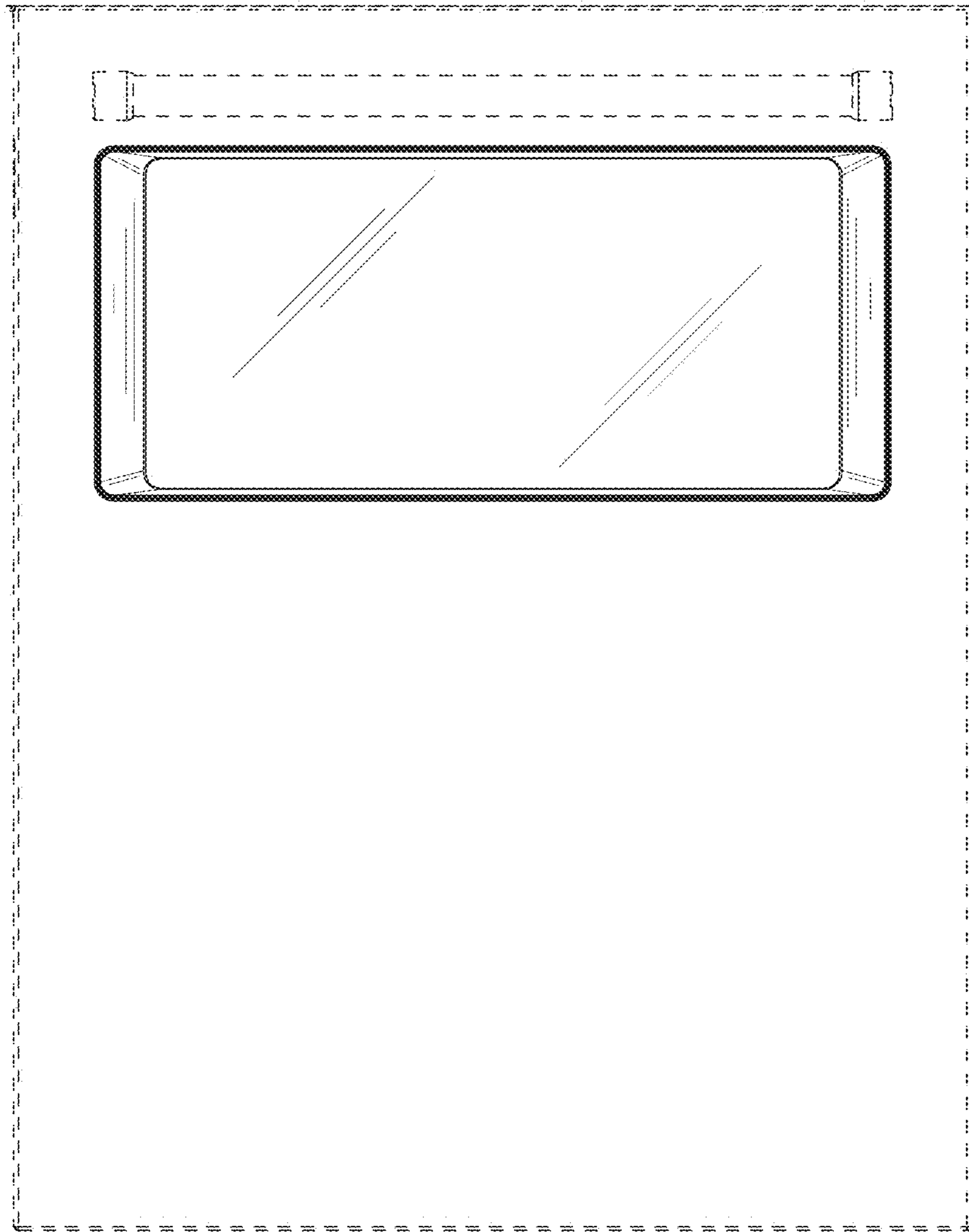


FIG. 2

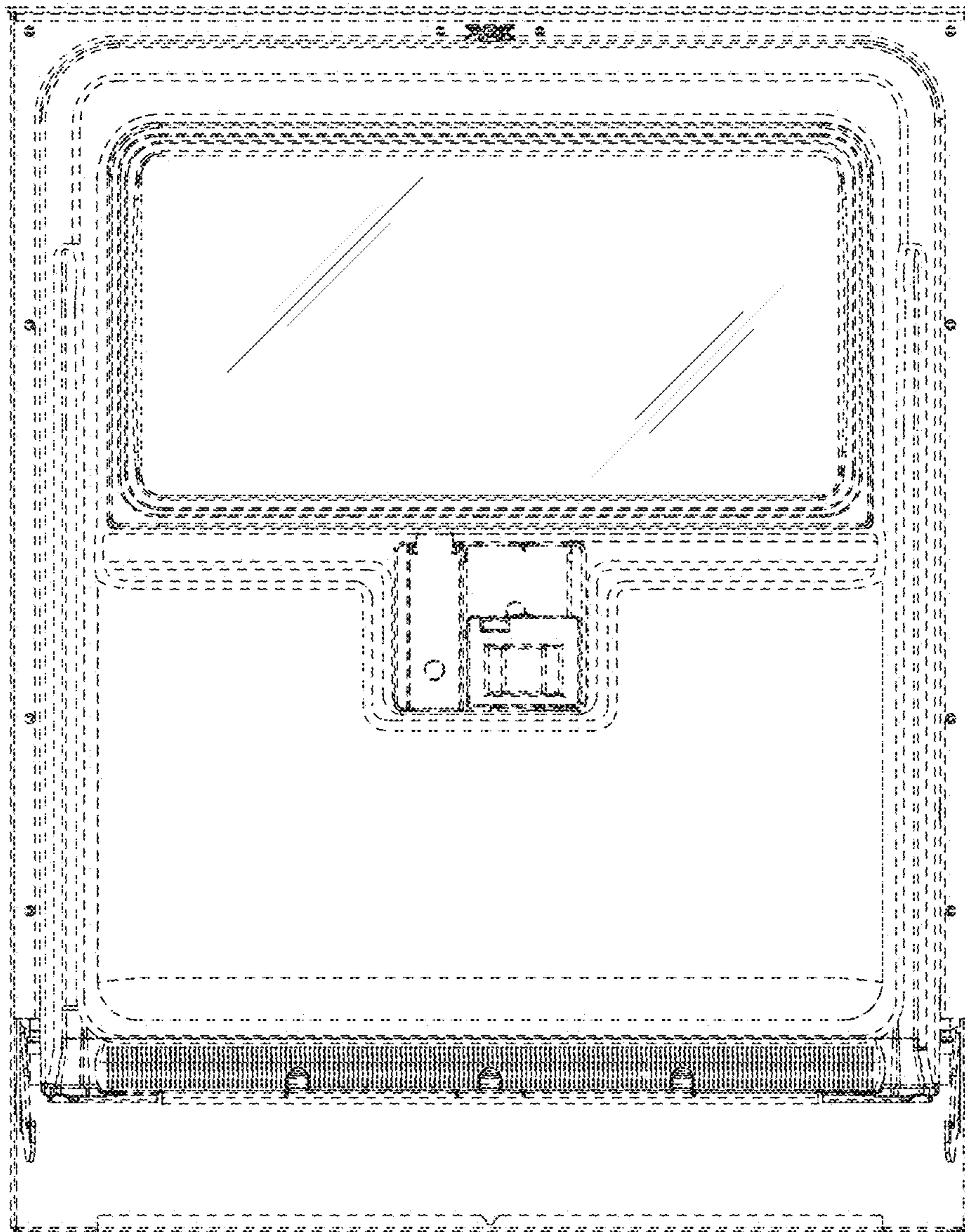


FIG. 3