



US00D765315S

(12) **United States Design Patent**  
**Whyte**

(10) **Patent No.:** **US D765,315 S**

(45) **Date of Patent:** **\*\* Aug. 30, 2016**

- (54) **FOOT SCRUBBER**
- (71) Applicant: **Omar Whyte**, Chicago, IL (US)
- (72) Inventor: **Omar Whyte**, Chicago, IL (US)
- (\*\*) Term: **15 Years**
- (21) Appl. No.: **29/530,753**
- (22) Filed: **Jun. 19, 2015**
- (51) **LOC (10) Cl.** ..... **28-03**
- (52) **U.S. Cl.**  
USPC ..... **D28/63**
- (58) **Field of Classification Search**  
USPC ..... D4/119, 121, 124, 120; D28/63;  
D32/40, 43, 45, 35, 46; D6/608;  
601/104; 4/596, 605, 606; 15/104.92,  
15/104.93, 159, 160, 161, 244.1, 209.1,  
15/244.4  
CPC ..... A47K 7/00; A47K 7/02; A47K 7/024;  
A47K 7/026; A47K 7/03; A61B 21/4015;  
A61H 2205/12; A61H 2205/125; A61H  
35/006; A61H 7/002; A61H 2205/081  
See application file for complete search history.

- D343,476 S \* 1/1994 Tomsick ..... D28/63
- 5,577,997 A 11/1996 Thariani et al.
- 5,913,313 A 6/1999 Brunderman
- 5,933,909 A \* 8/1999 Keating ..... A47K 7/024  
15/244.1
- 6,530,096 B1 3/2003 Mayhew et al.
- 6,708,351 B2 3/2004 Sullinger
- 7,219,387 B1 \* 5/2007 Moore ..... A47K 3/022  
15/104.92
- 7,278,431 B2 10/2007 Anderson et al.
- 7,712,474 B2 5/2010 Dixon
- 8,191,196 B2 \* 6/2012 Aguilar ..... A47K 7/024  
15/160
- 2006/0117513 A1 \* 6/2006 Ryman ..... A47K 7/024  
15/244.3
- 2009/0241978 A1 10/2009 Moretti

\* cited by examiner

*Primary Examiner* — Susan Bennett Hattan  
*Assistant Examiner* — Rebecca Tsehaye

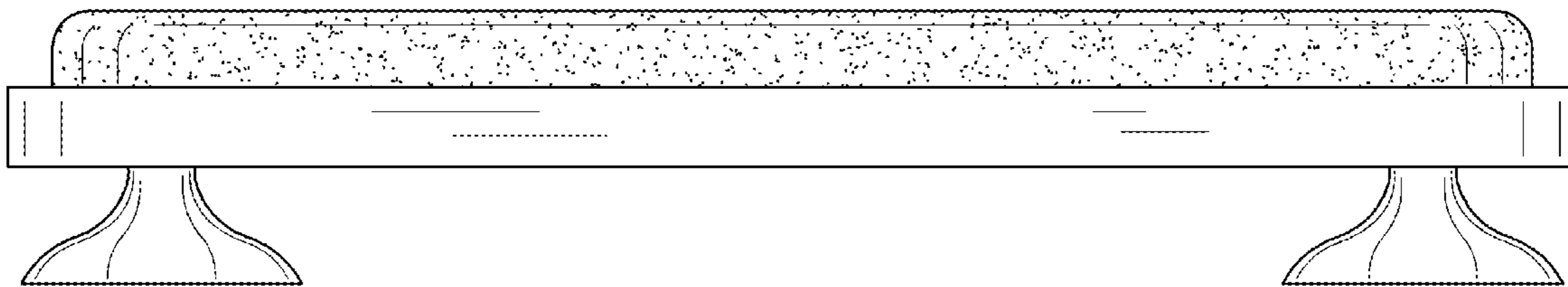
(57) **CLAIM**  
The ornamental design for a foot scrubber, as shown and described.

**DESCRIPTION**

FIG. 1 is a front view of a foot scrubber showing my new design, a rear view being identical;  
FIG. 2 is a left side view of the foot scrubber, a right side view being identical;  
FIG. 3 is a top view of the foot scrubber;  
FIG. 4 is a bottom view of the foot scrubber; and,  
FIG. 5 is a top front side perspective view of the foot scrubber.

**1 Claim, 5 Drawing Sheets**

- (56) **References Cited**  
U.S. PATENT DOCUMENTS  
1,954,940 A \* 4/1934 Mikel ..... A47K 7/024  
15/110  
2,546,095 A \* 3/1951 Gustlin ..... A61H 15/02  
165/177  
D283,261 S \* 4/1986 Walling ..... D28/63  
D324,778 S \* 3/1992 Whittington ..... D28/63



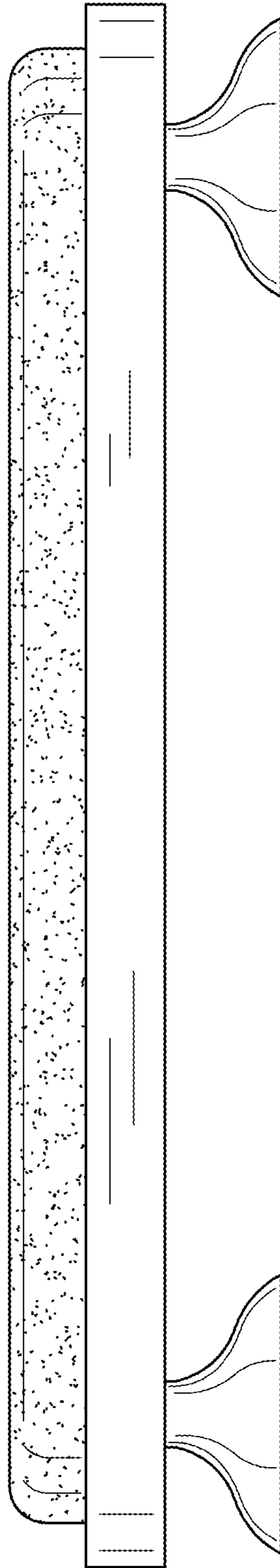


FIG. 1

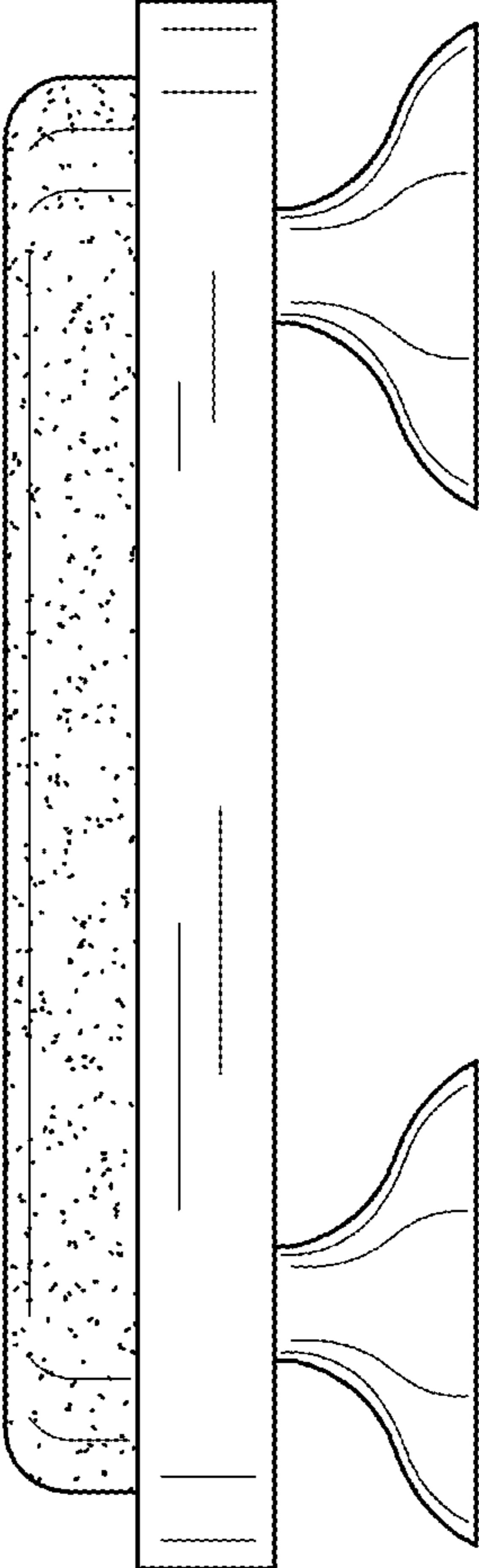


FIG. 2

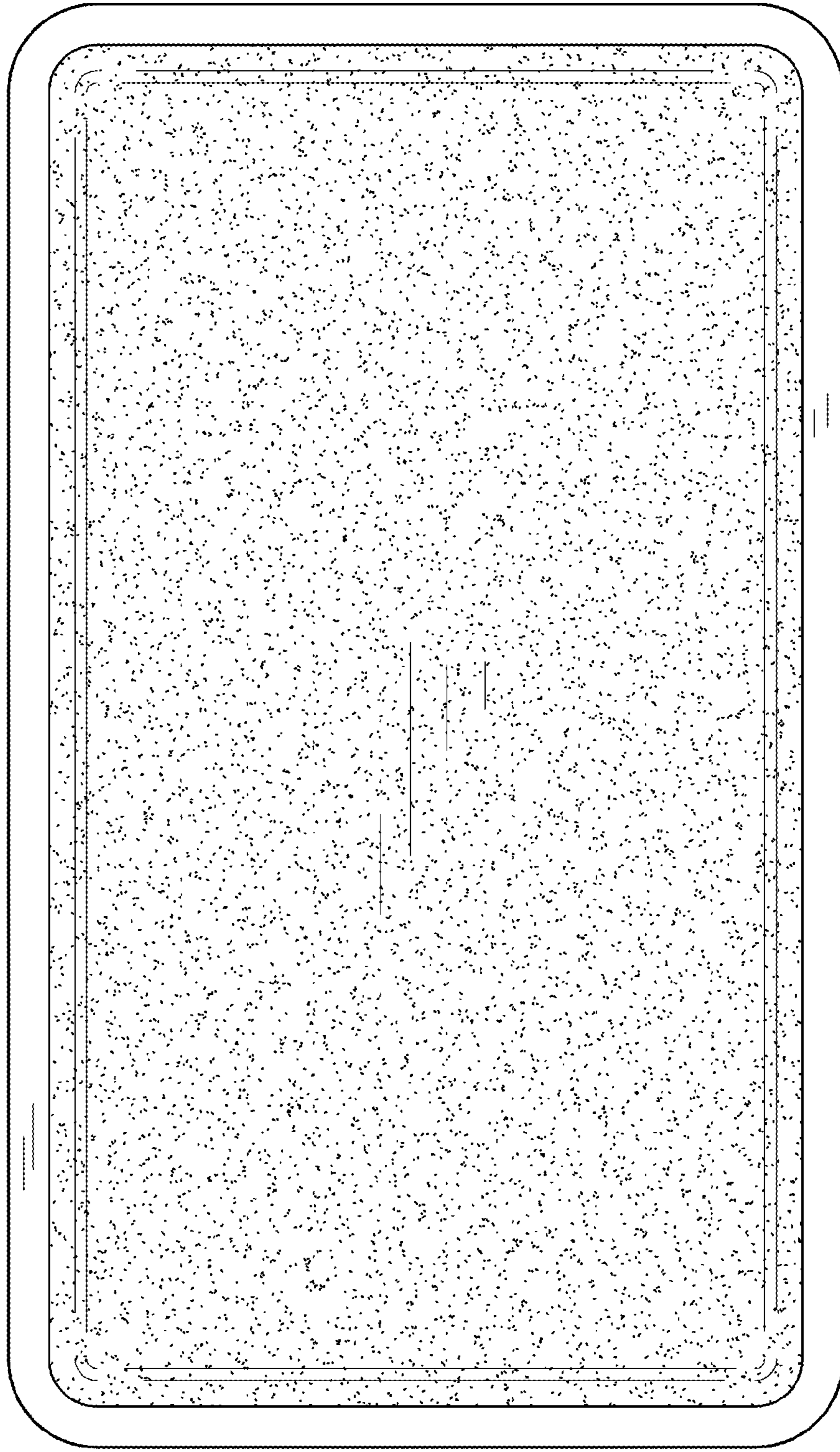


FIG. 3

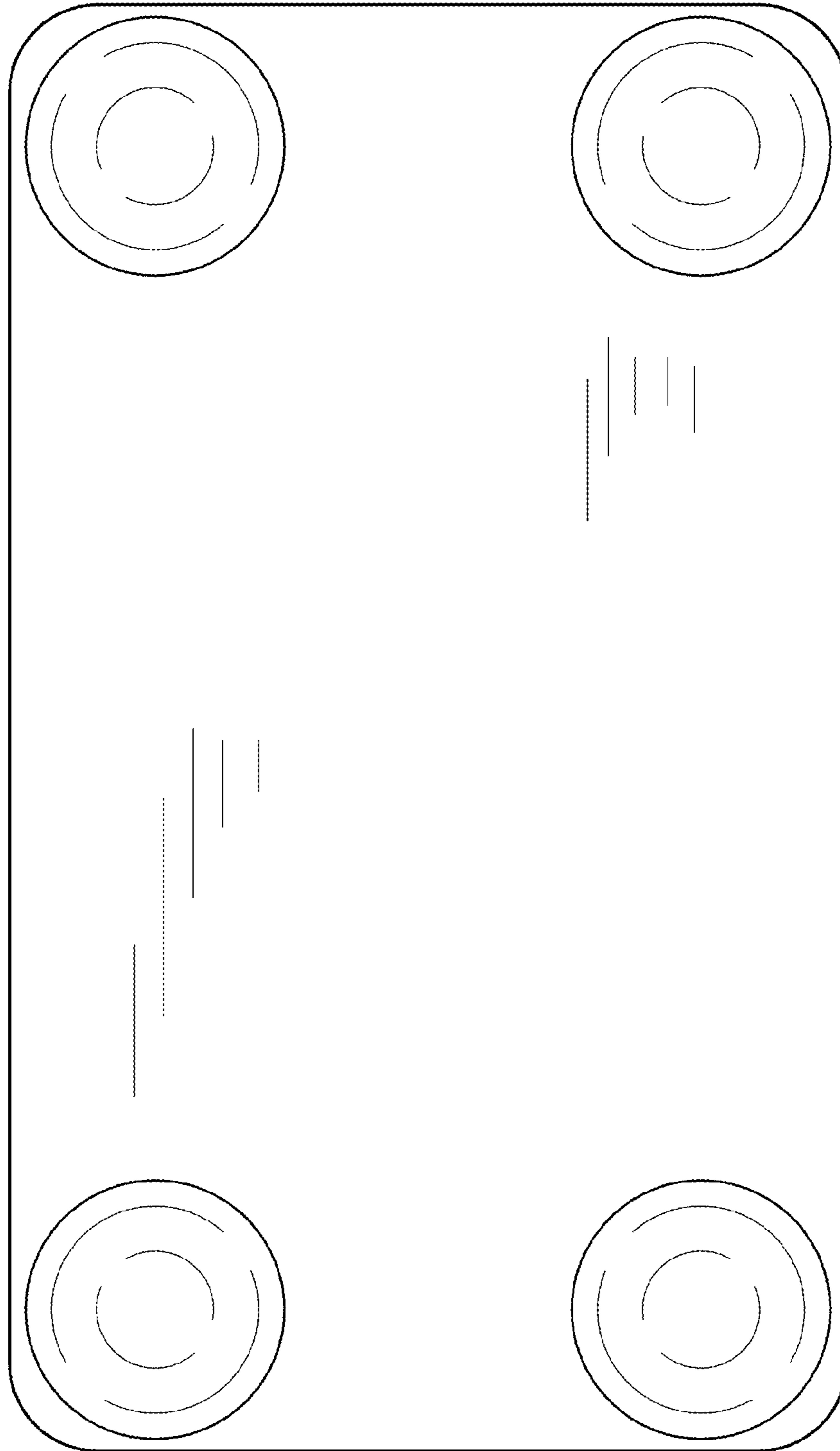


FIG. 4

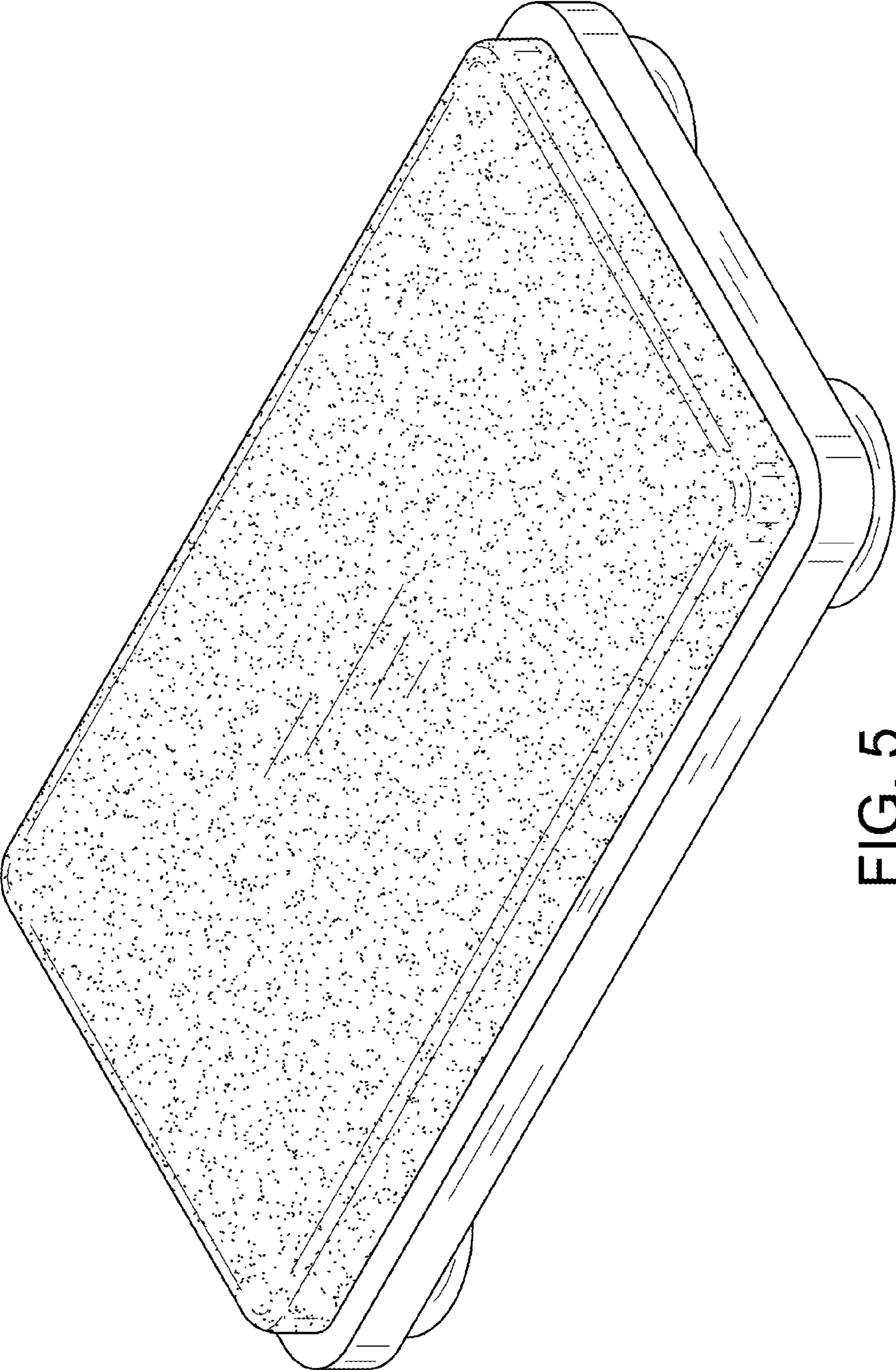


FIG. 5