



US00D765314S

(12) **United States Design Patent**
Loibl

(10) **Patent No.:** **US D765,314 S**

(45) **Date of Patent:** **** Aug. 30, 2016**

(54) **GEL NAIL POLISH CURING LAMP**

(71) Applicant: **Byron Neil Loibl**, Wichita, KS (US)

(72) Inventor: **Byron Neil Loibl**, Wichita, KS (US)

(**) Term: **14 Years**

(21) Appl. No.: **29/518,602**

(22) Filed: **Feb. 25, 2015**

(51) **LOC (10) Cl.** **D28-03**

(52) **U.S. Cl.**

USPC **D28/58**; D28/54.1

(58) **Field of Classification Search**

USPC D28/56, 57, 58, 54.1

CPC A45D 44/00; A45D 29/00; A45D 29/20;

A45D 29/22; A45D 29/14

See application file for complete search history.

D745,741 S * 12/2015 Jih D28/54.1
D747,828 S * 1/2016 Vu D28/54.1
9,232,843 B2 * 1/2016 Li A45D 29/00
D751,761 S * 3/2016 Jih D28/54.1
2003/0200978 A1 * 10/2003 Hu A45D 29/00
132/73

2004/0065336 A1 4/2004 Fung
2007/0107169 A1 5/2007 Kung
2010/0293805 A1 11/2010 Chang
2011/0036997 A1 * 2/2011 Lai A45D 29/00
250/492.1

2011/0277338 A1 11/2011 Li et al.
2012/0187311 A1 * 7/2012 Vu A45D 29/00
250/492.1

2013/0020509 A1 * 1/2013 Horvath A45D 29/00
250/492.1

2013/0109001 A1 * 5/2013 Pan A45D 29/00
434/275

2013/0134447 A1 * 5/2013 Pan A45D 29/00
257/88

2014/0166901 A1 * 6/2014 Haile B01J 19/123
250/455.11

2014/0231677 A1 * 8/2014 Cheng A45D 29/00
250/492.1

(56) **References Cited**

U.S. PATENT DOCUMENTS

3,287,824 A 11/1966 Selditz
5,084,984 A * 2/1992 Duchoud A45D 29/00
219/507

D381,464 S 7/1997 Schaeffer et al.
D450,389 S 11/2001 Chang
6,518,583 B1 * 2/2003 Hennig A45D 29/00
250/504 R

6,950,316 B2 9/2005 Pan et al.
7,239,806 B2 7/2007 Chen
7,804,074 B2 9/2010 Bernecker
D641,105 S * 7/2011 Chan D28/54.1
D643,576 S * 8/2011 Chan D28/58
D661,021 S * 5/2012 Chang D28/54.1
D662,259 S * 6/2012 Vu D28/54.1
8,242,475 B1 * 8/2012 Cheng A45D 31/00
118/620

D680,272 S * 4/2013 Cheng D28/54.1
D685,949 S * 7/2013 Valia D28/54.1
D686,369 S * 7/2013 Horvath D28/54.1
D690,467 S * 9/2013 Jing D28/54.1
D692,617 S * 10/2013 Haile D28/58
D702,400 S * 4/2014 Valia D28/54.1
8,739,431 B2 6/2014 Cheng
D715,494 S * 10/2014 Kim D28/54.1
D734,548 S * 7/2015 Dadon D28/54.1

(Continued)

Primary Examiner — Jennifer Rivard

(57)

CLAIM

The ornamental design for a gel nail polish curing lamp, as shown.

DESCRIPTION

FIG. 1 is a perspective view of the gel nail polish curing lamp showing my new design.

FIG. 2 is a front view of the gel nail polish curing lamp showing my new design.

FIG. 3 is a rear view of the gel nail polish curing lamp showing my new design.

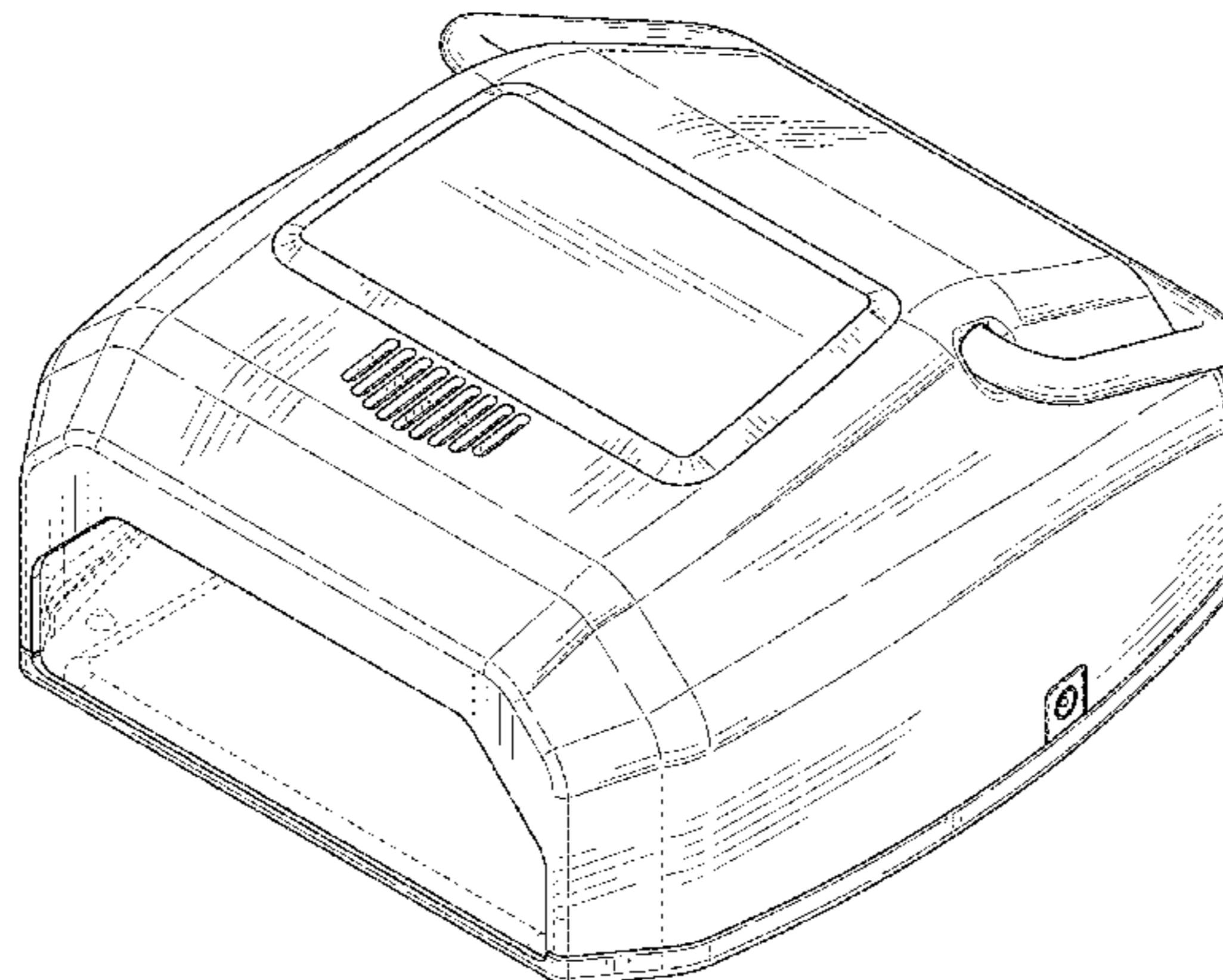
FIG. 4 is a right side view of the gel nail polish curing lamp showing my new design.

FIG. 5 is a left side view of the gel nail polish curing lamp showing my new design; and,

FIG. 6 is a top view of the gel nail polish curing lamp showing my new design.

The broken lines shown in the drawings illustrate portions of the gel nail polish curing lamp and form no part of the claimed design.

1 Claim, 4 Drawing Sheets



US D765,314 S

Page 2

(56)

References Cited

U.S. PATENT DOCUMENTS

2014/0346372 A1*	11/2014	Vu	A45D 29/00	250/492.1	2015/0164200 A1*	6/2015	Li	F26B 3/28	34/275
2015/0082654 A1*	3/2015	Jaegal	A45D 29/00	34/275	2015/0182001 A1*	7/2015	Yi	A45D 29/00	132/200
						2015/0289627 A1*	10/2015	Chang	A45D 29/00	34/275

* cited by examiner

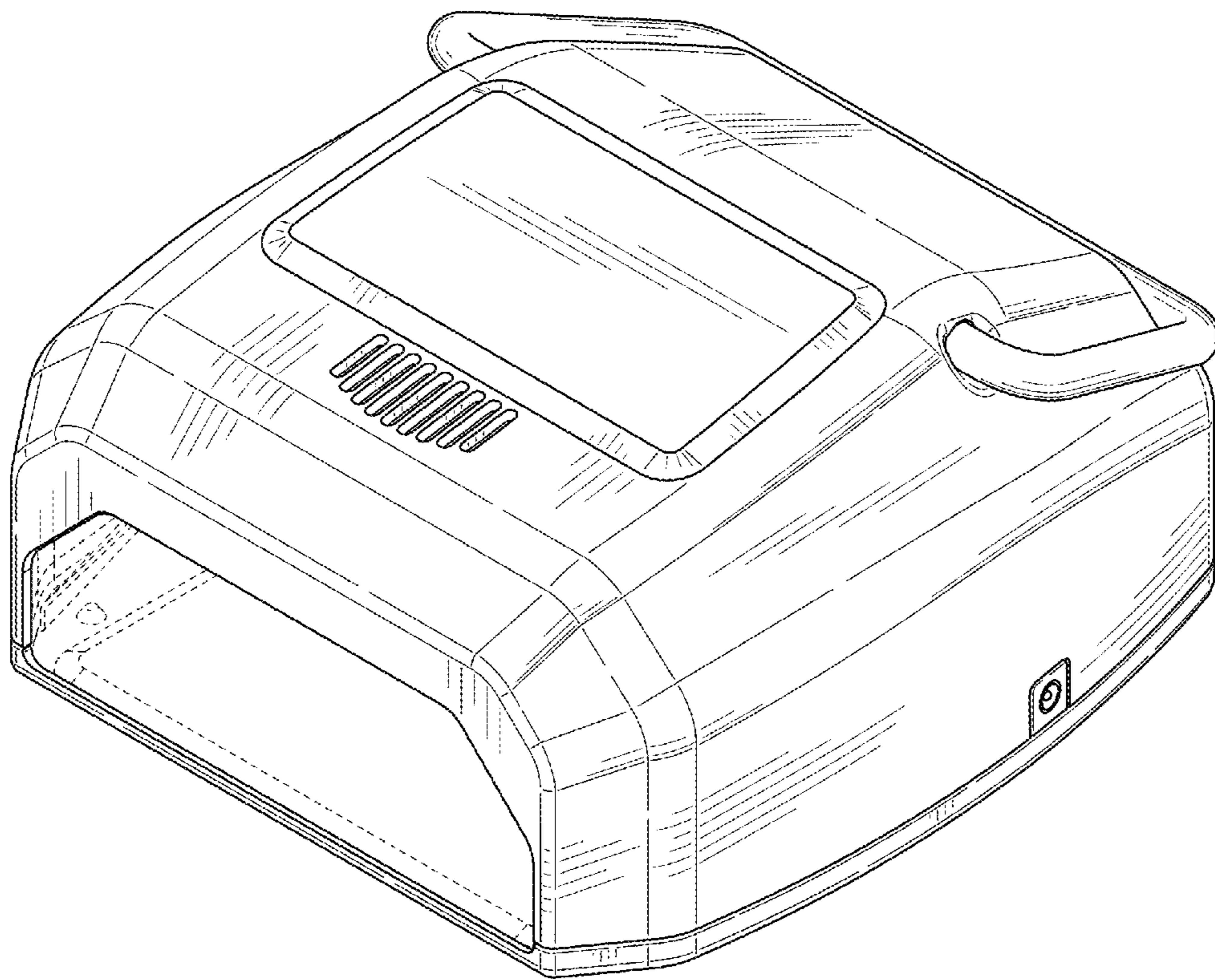


FIG. 1

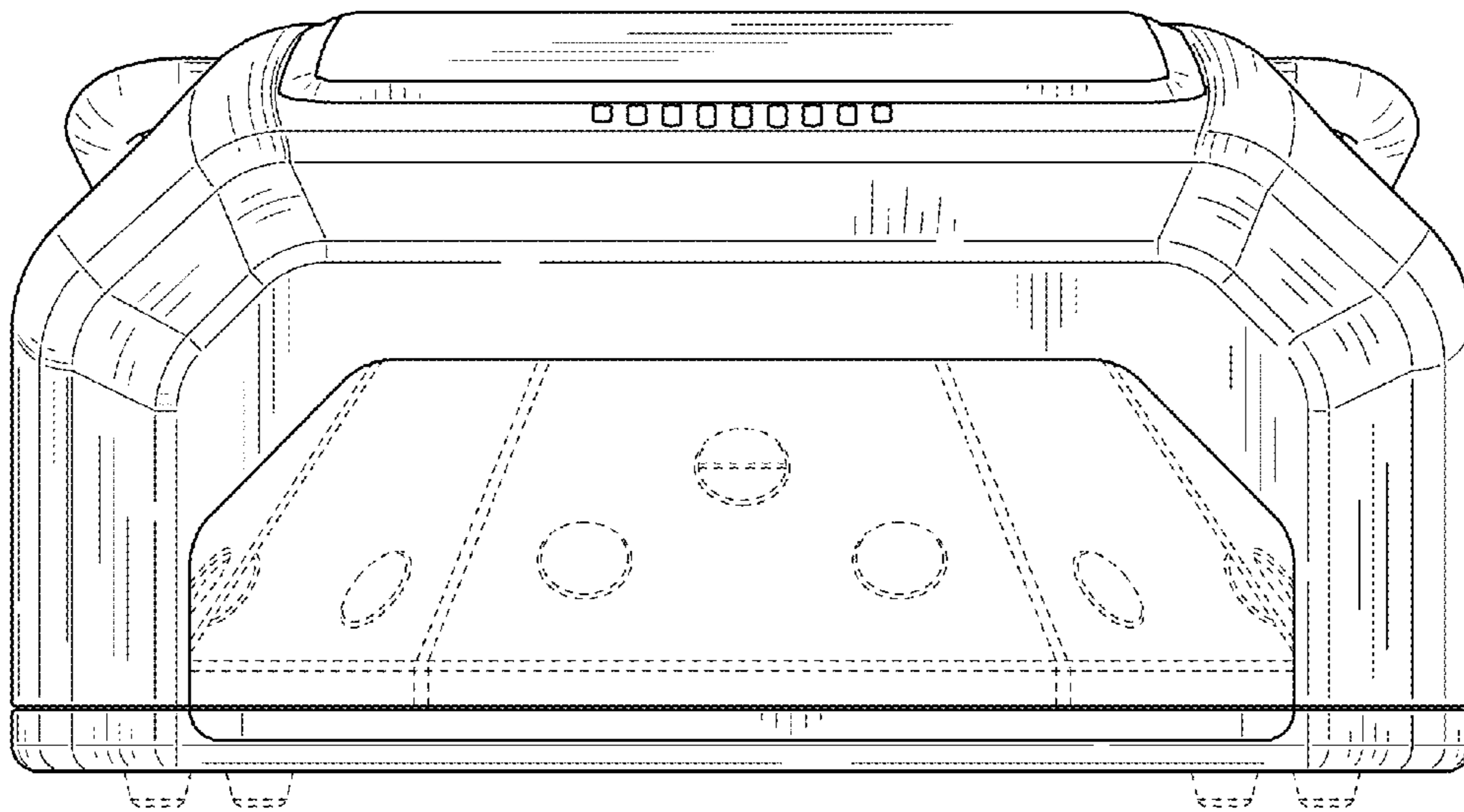


FIG. 2

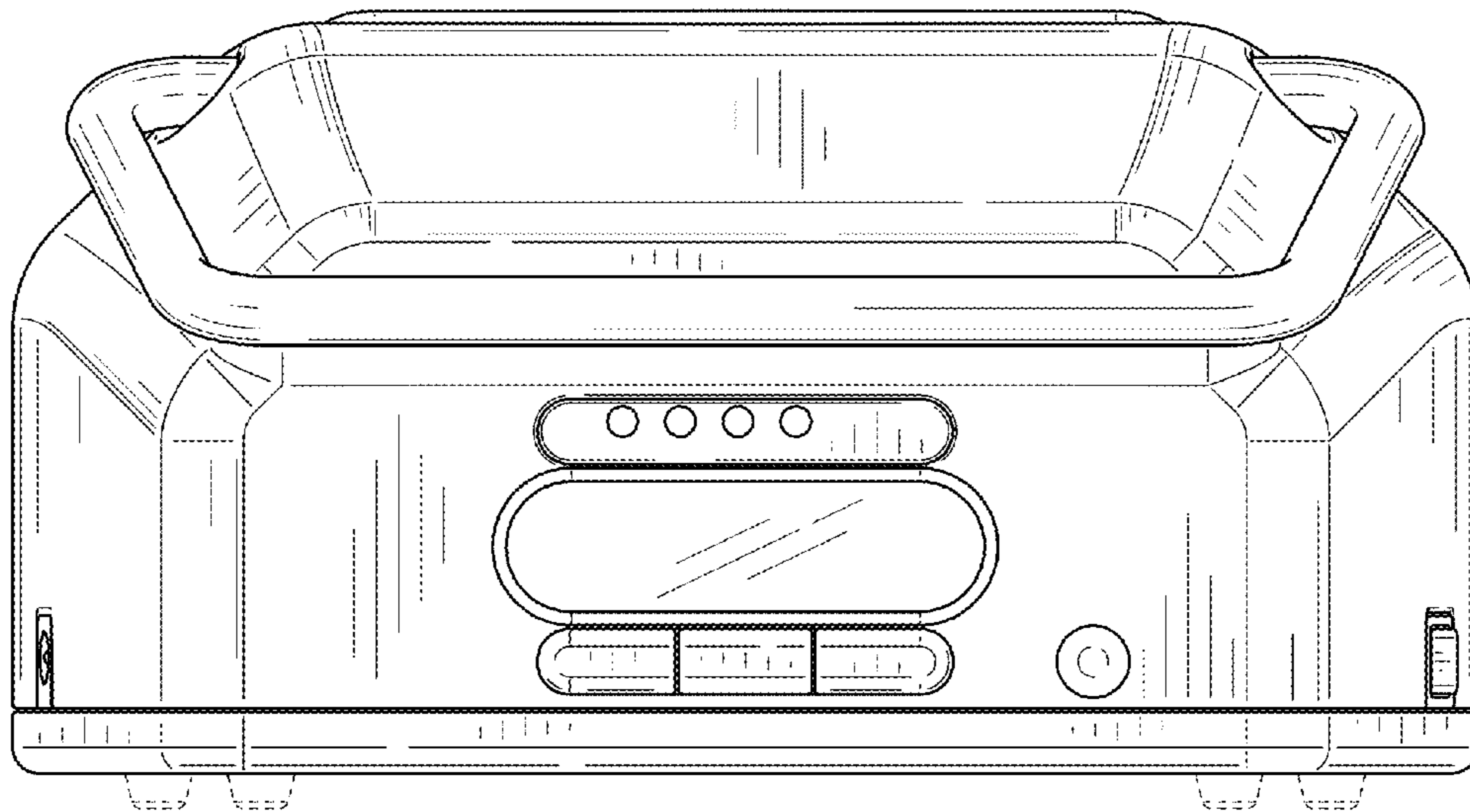


FIG. 3

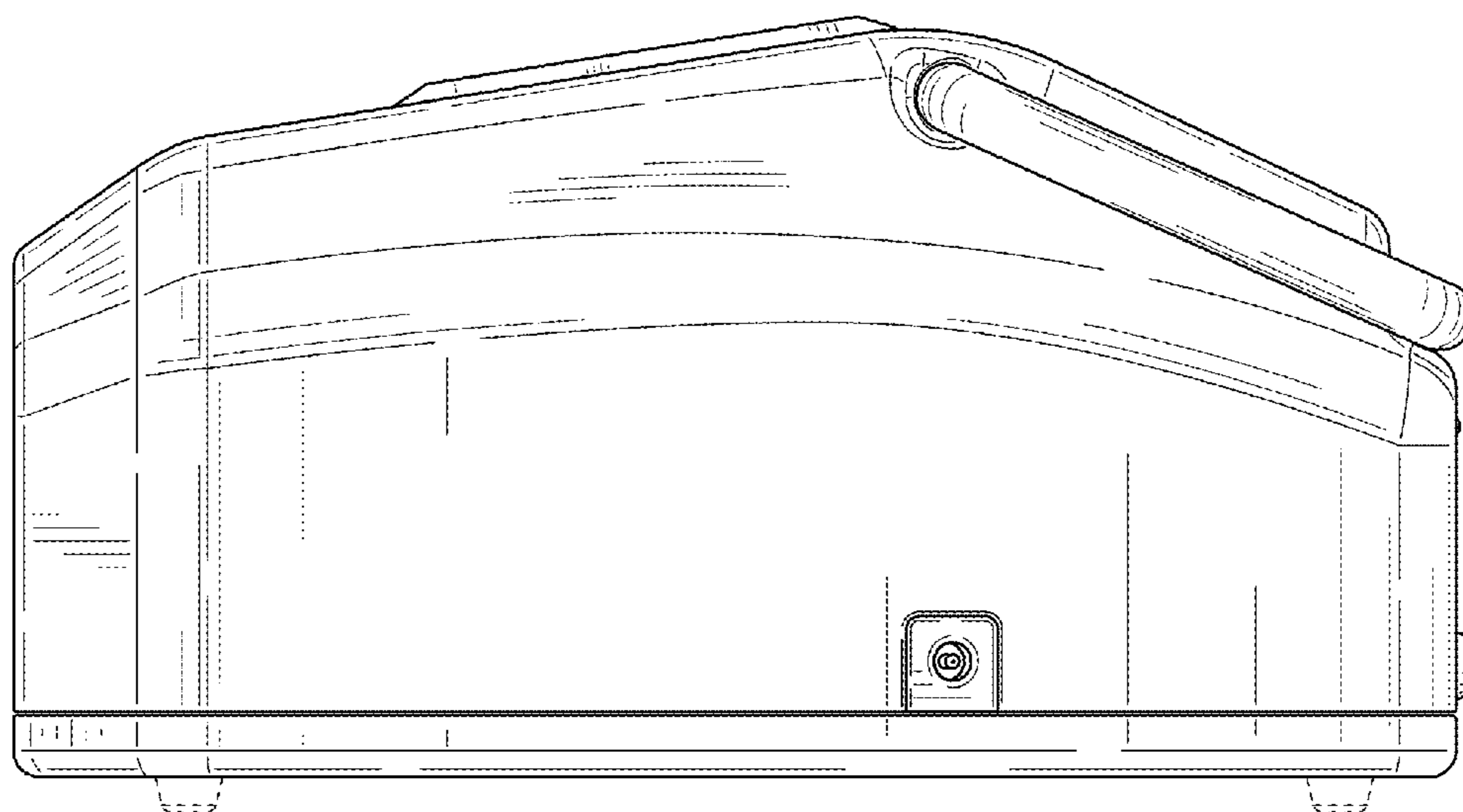


FIG. 4

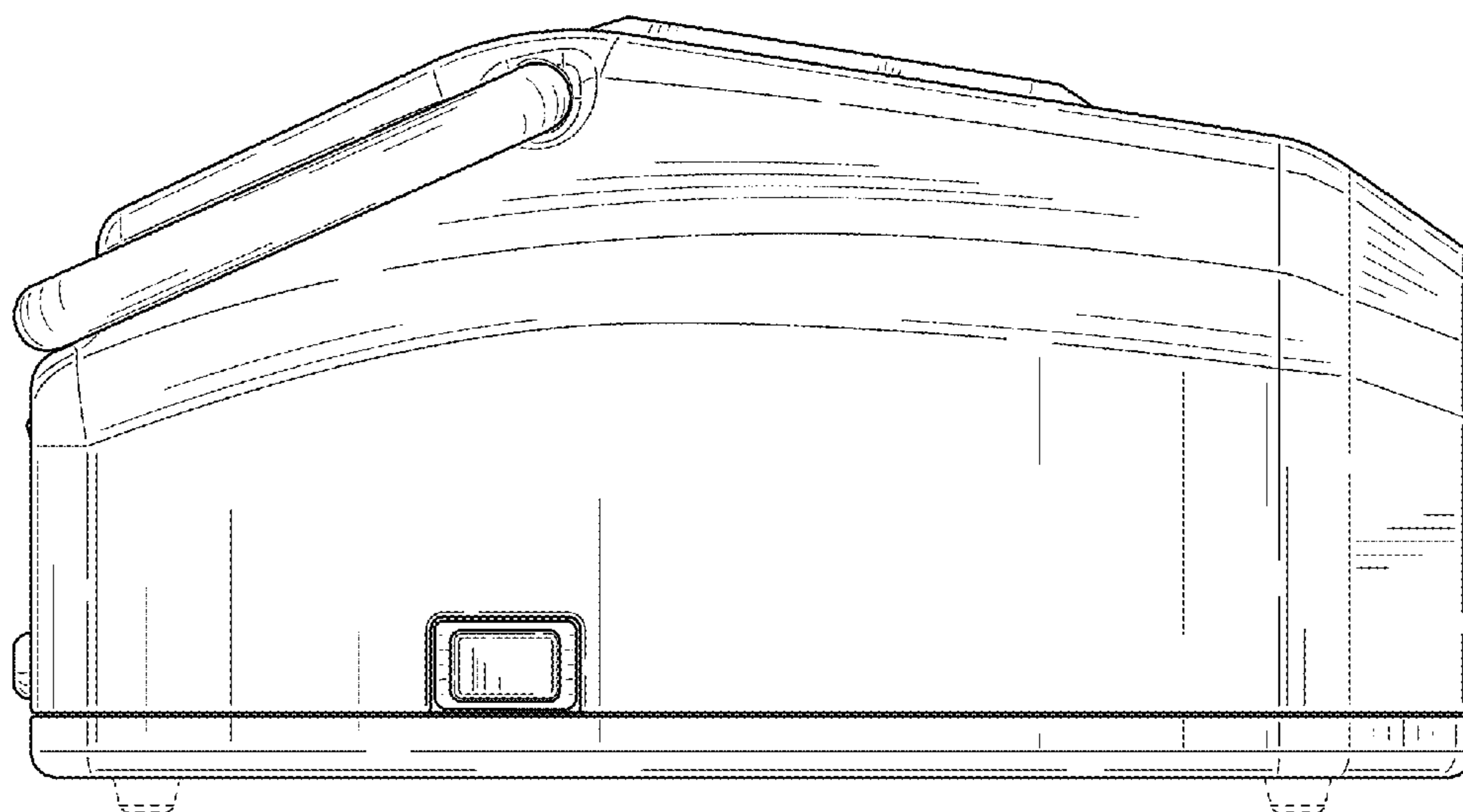


FIG. 5

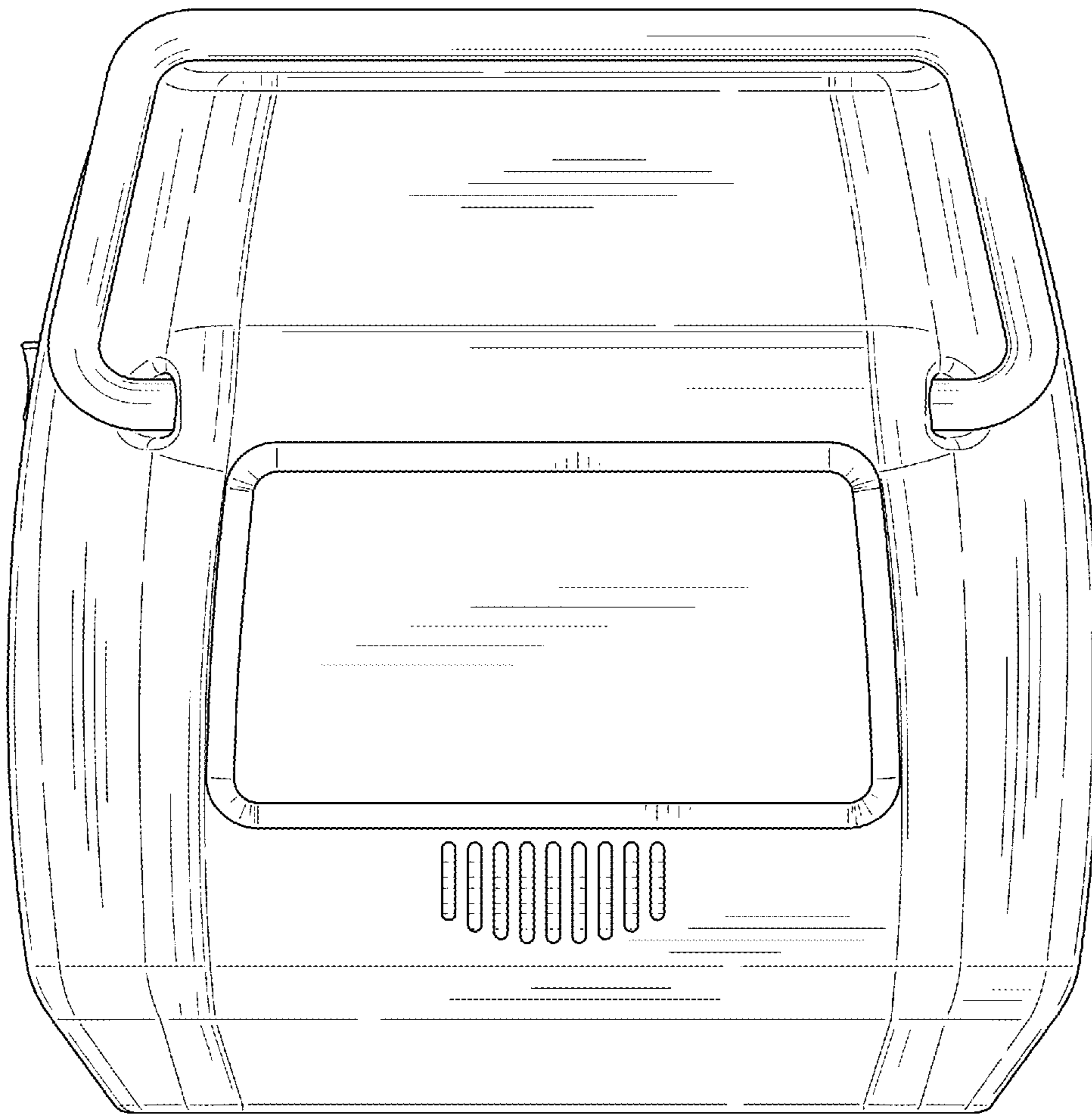


FIG. 6