



US00D765309S

(12) **United States Design Patent** (10) **Patent No.:** **US D765,309 S**
Liu (45) **Date of Patent:** **** Aug. 30, 2016**

(54) **ELECTRONIC CIGARETTE**
(71) Applicant: **Qiuming Liu**, Guangdong (CN)
(72) Inventor: **Qiuming Liu**, Guangdong (CN)
(**) Term: **14 Years**
(21) Appl. No.: **29/500,420**
(22) Filed: **Aug. 25, 2014**

(30) **Foreign Application Priority Data**

Feb. 25, 2014 (CN) 2014 3 0034424

(51) **LOC (10) Cl.** **27-01**

(52) **U.S. Cl.**
USPC **D27/101**

(58) **Field of Classification Search**
USPC D27/100, 101, 162, 165, 194; 131/270,
131/271, 273, 329, 330, 347, 348, 360
CPC A24F 1/28; A24F 1/30; A24F 25/00;
A24F 47/002; A24F 47/004; A24F 47/006;
A24F 47/008; A24B 1/00
See application file for complete search history.

(56) **References Cited**

U.S. PATENT DOCUMENTS

5,893,371 A * 4/1999 Rose A24F 47/002
131/270
D644,375 S * 8/2011 Zhou D27/101
D688,415 S * 8/2013 Kim D27/101
D693,053 S * 11/2013 Chen D27/101
D695,450 S * 12/2013 Benassayag D24/110.5
D720,094 S * 12/2014 Alima D27/101
D720,881 S * 1/2015 Liu D27/101
8,955,522 B1 * 2/2015 Bowen A24F 47/008
128/202.21
D724,782 S * 3/2015 Wu D27/101
D728,155 S * 4/2015 Liu D27/101
D728,156 S * 4/2015 Wu D27/101
D729,441 S * 5/2015 Hua D27/101
D730,571 S * 5/2015 Chen D27/101
D732,239 S * 6/2015 Chen D27/101
2013/0068239 A1 * 3/2013 Youn A24F 47/008
131/273

2013/0180533 A1* 7/2013 Kim A24F 47/008
131/273
2013/0319407 A1* 12/2013 Liu A61M 15/06
128/202.21
2013/0333711 A1* 12/2013 Liu A24F 47/008
131/329

(Continued)

Primary Examiner — Rosemary K Tarcza
Assistant Examiner — Christy Nemeth
(74) *Attorney, Agent, or Firm* — Tim Tingkang Xia, Esq.;
Locke Lord LLP

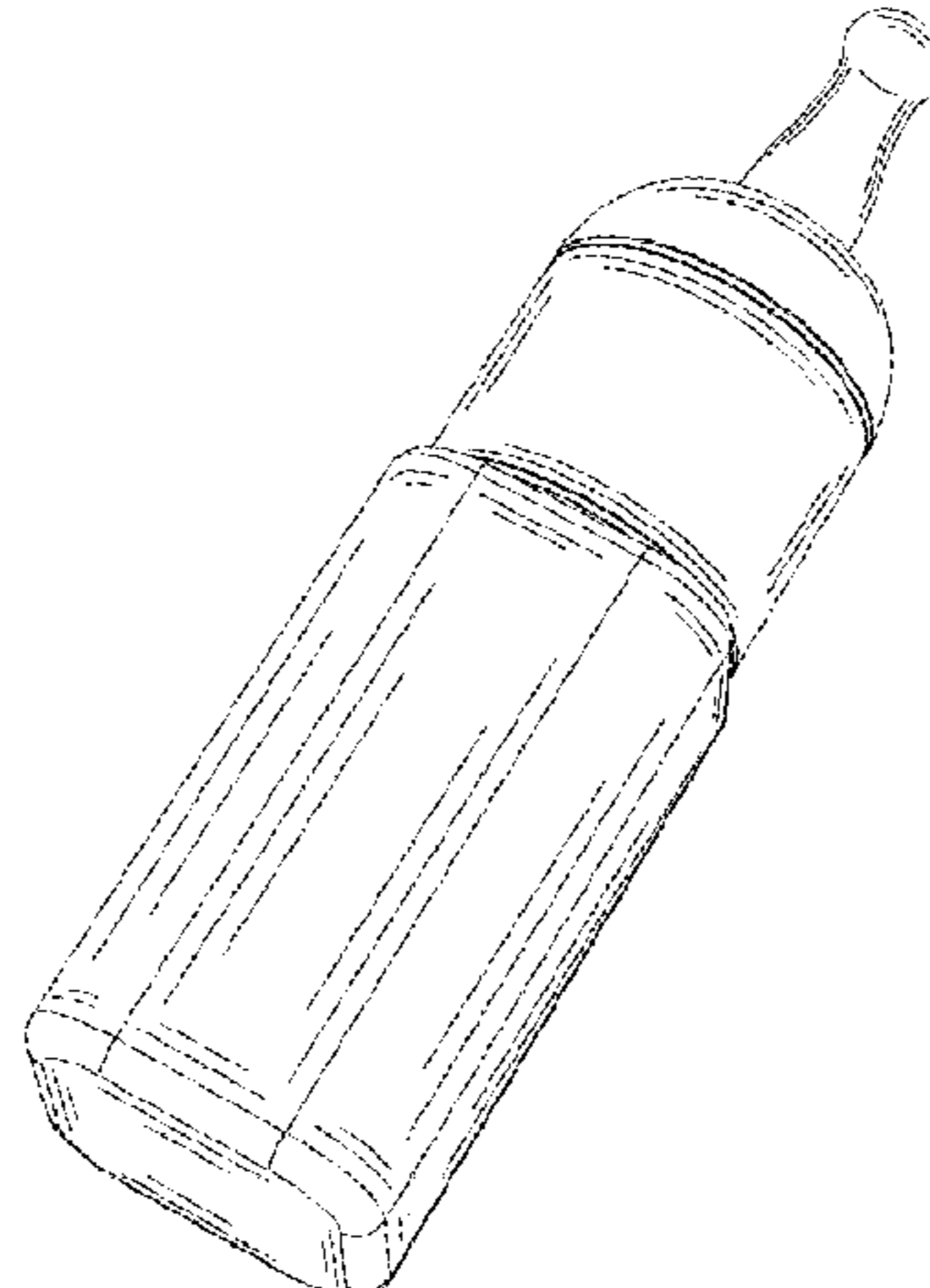
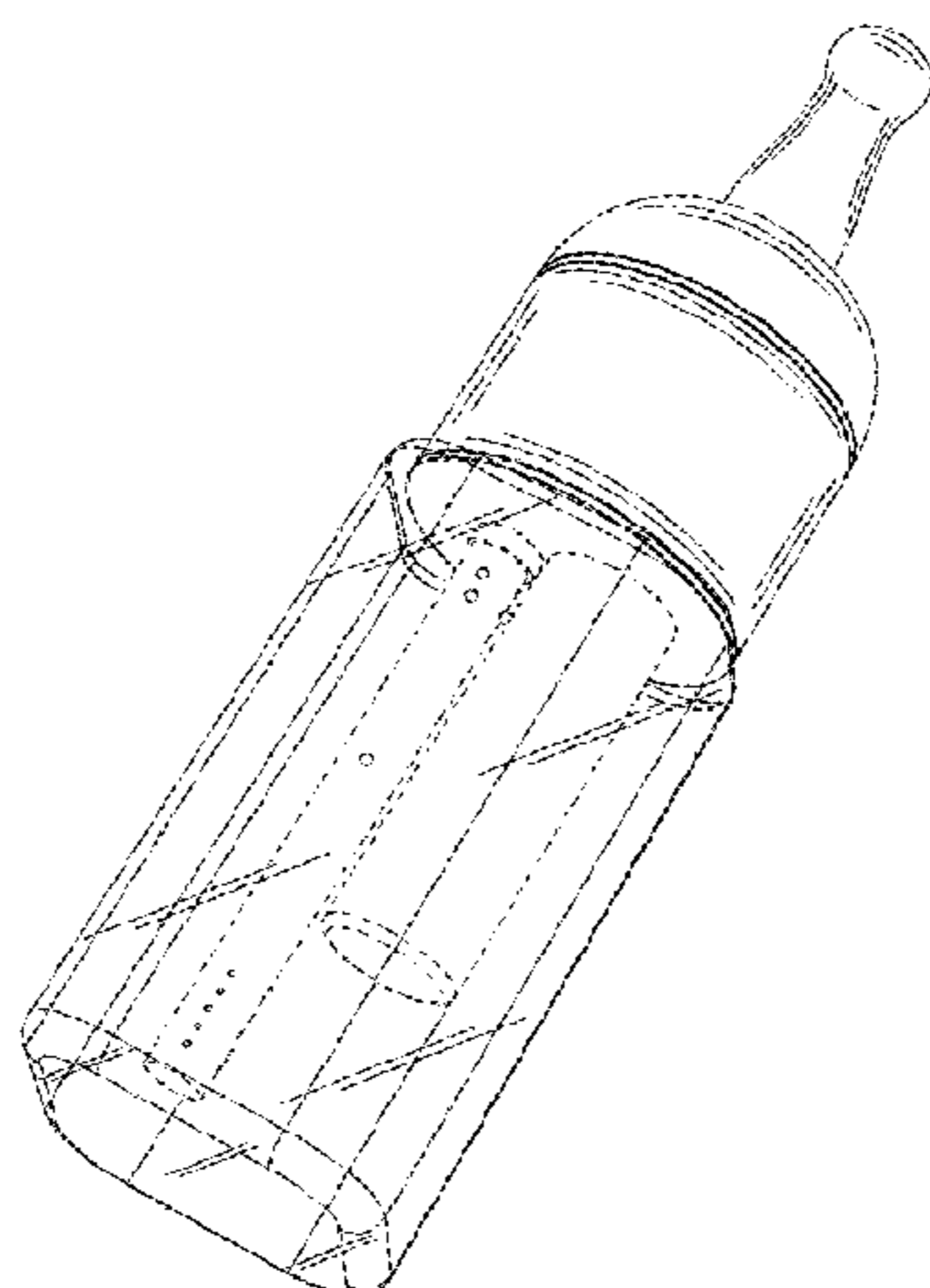
(57) **CLAIM**

The ornamental design for an electronic cigarette, as shown and described.

DESCRIPTION

FIG. 1 is a front elevation view of a first embodiment of an electronic cigarette;
FIG. 2 is a rear elevation view of the first embodiment of the electronic cigarette;
FIG. 3 is a left side elevation view of the first embodiment of the electronic cigarette;
FIG. 4 is a right side elevation view of the first embodiment of the electronic cigarette;
FIG. 5 is a top plan view of the first embodiment of the electronic cigarette;
FIG. 6 is a bottom plan view of the first embodiment of the electronic cigarette;
FIG. 7 is a perspective view of the first embodiment of the electronic cigarette;
FIG. 8 is a front elevation view of a second embodiment of an electronic cigarette;
FIG. 9 is a top plan view of the second embodiment of the electronic cigarette;
FIG. 10 is a bottom plan view of the second embodiment of the electronic cigarette; and,
FIG. 11 is a perspective view of the second embodiment of the electronic cigarette.
The broken lines shown in the drawings are included for the purpose of illustrating portions of the electronic cigarette which form no part of the claimed design.

1 Claim, 9 Drawing Sheets



(56)

References Cited

U.S. PATENT DOCUMENTS

2014/0041655	A1*	2/2014	Barron	A61M 11/042 128/202.21	2015/0189916	A1*	7/2015	Wu	A24F 47/008 219/510
2014/0174458	A1*	6/2014	Katz	A24F 47/008 131/200	2015/0196062	A1*	7/2015	Li	A24F 47/008 131/329
2015/0078735	A1*	3/2015	Cormack	A24F 47/00 392/395	2015/0257449	A1*	9/2015	Gabbay	A24F 47/008 392/386
2015/0090253	A1*	4/2015	Farrow	A24F 47/008 128/200.14	2015/0282528	A1*	10/2015	Liu	A24F 47/008 131/329
2015/0181944	A1*	7/2015	Li	A24F 47/008 131/329	2015/0282529	A1*	10/2015	Li	A24F 47/008 131/273
						2015/0282530	A1*	10/2015	Johnson	A24F 47/002 392/387

* cited by examiner

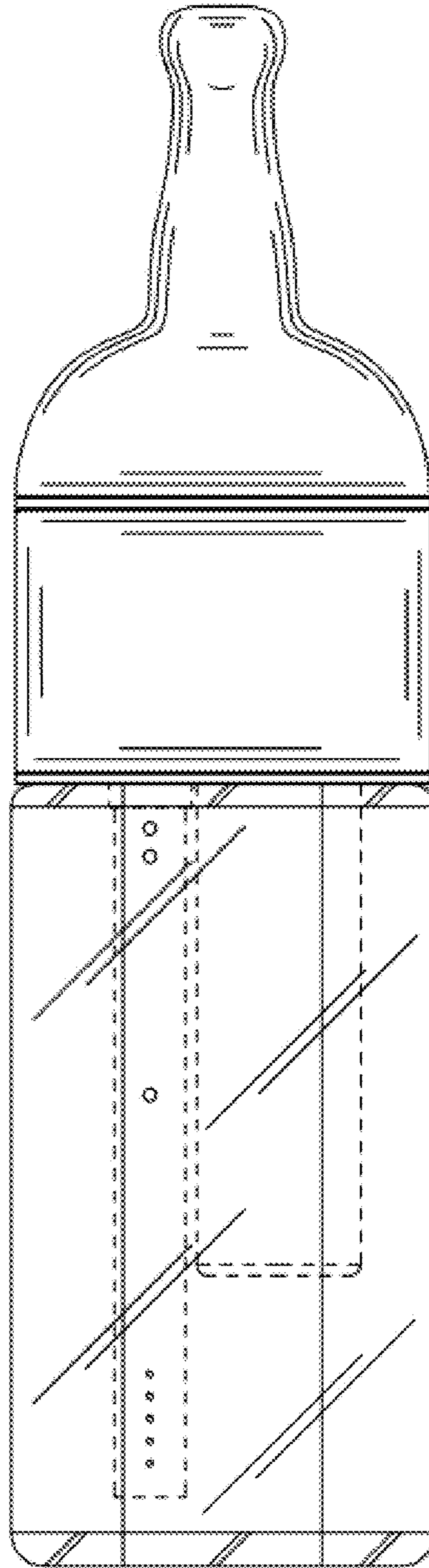


Fig. 1

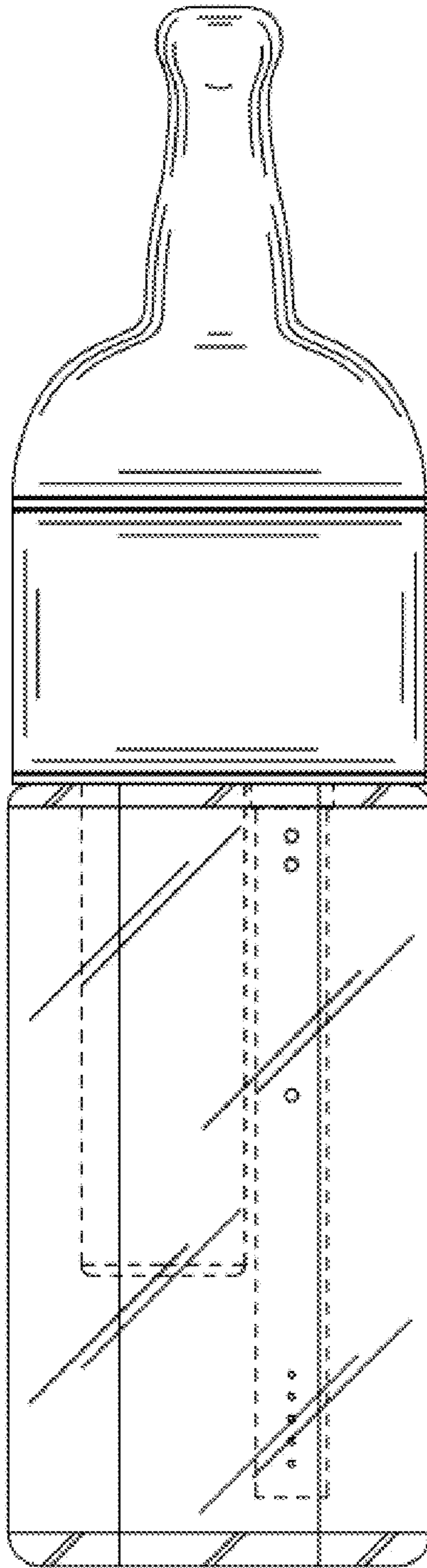


Fig. 2

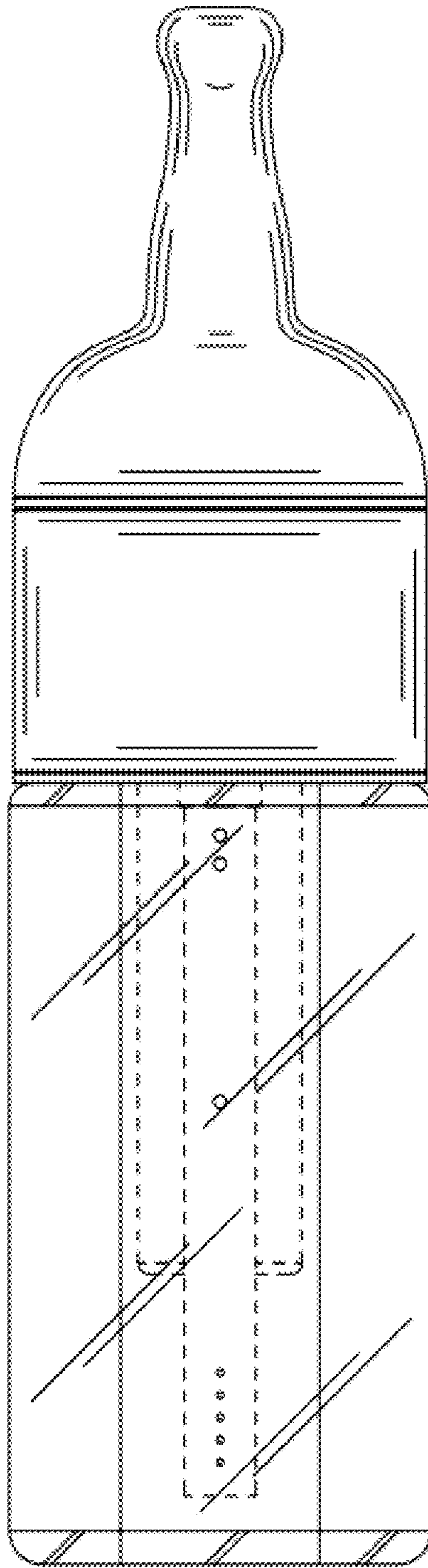


Fig. 3

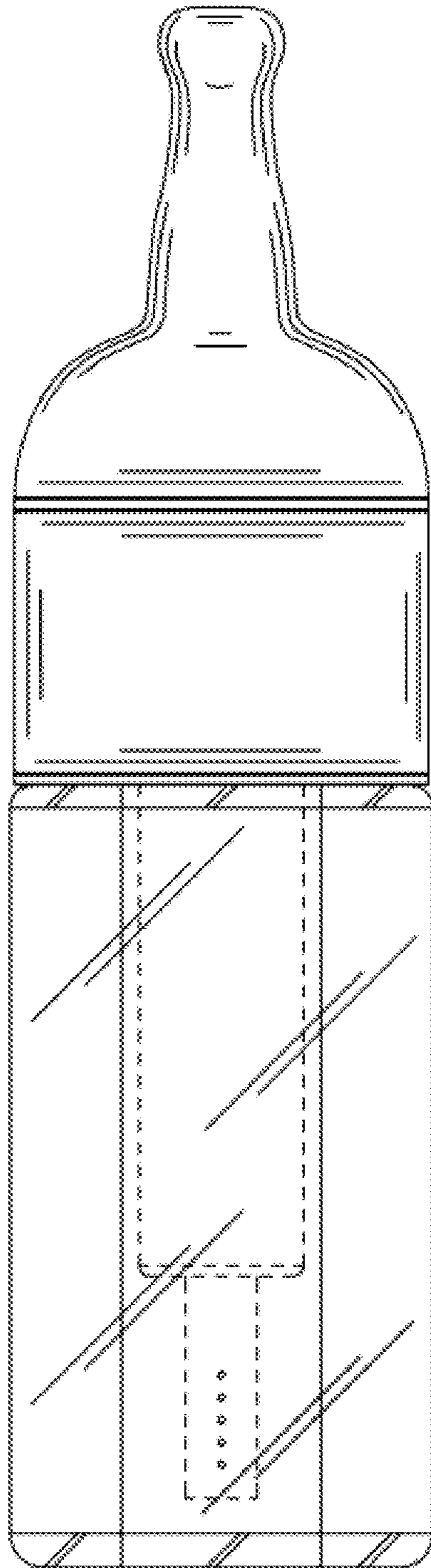


Fig. 4

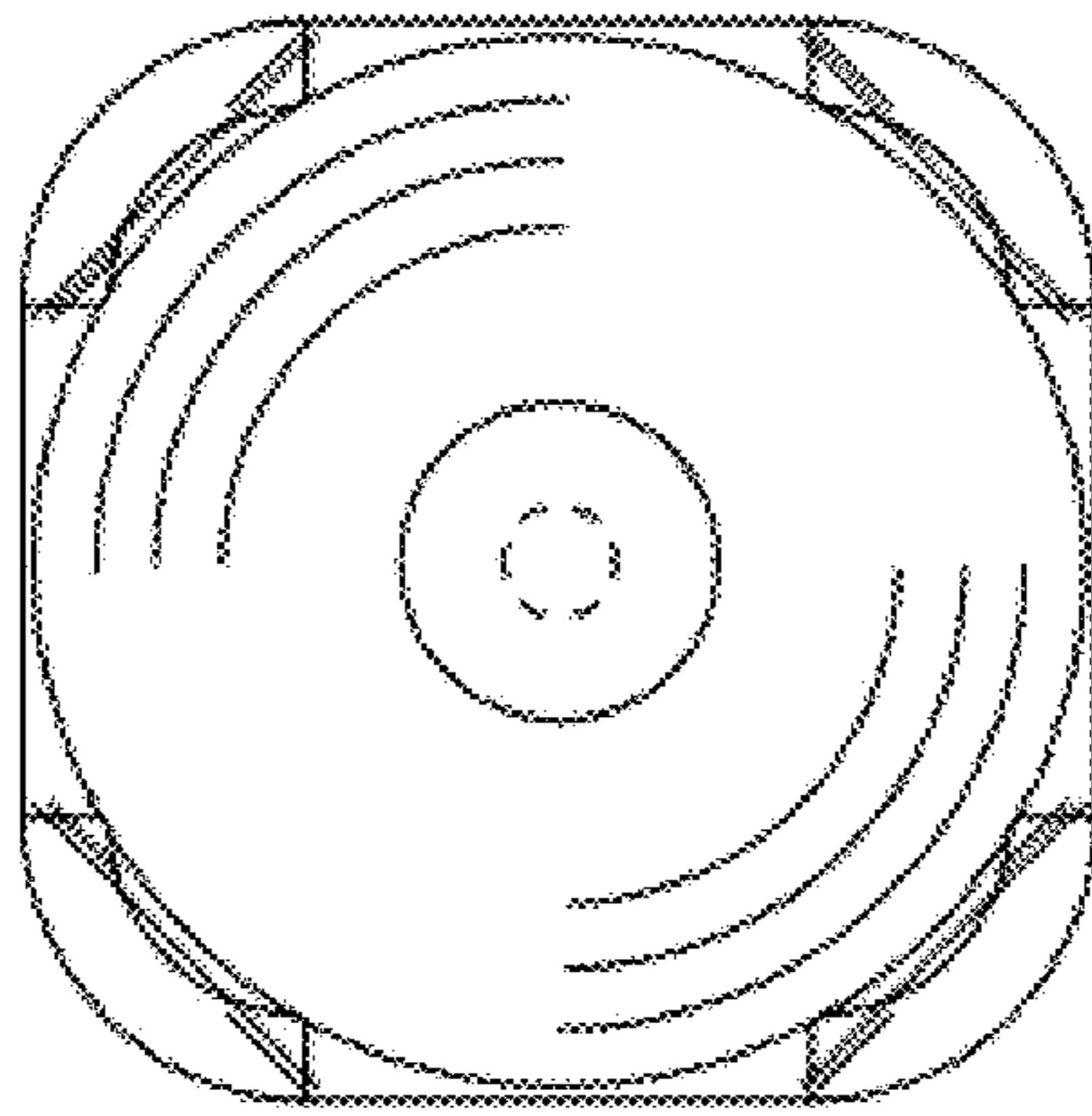


Fig. 5

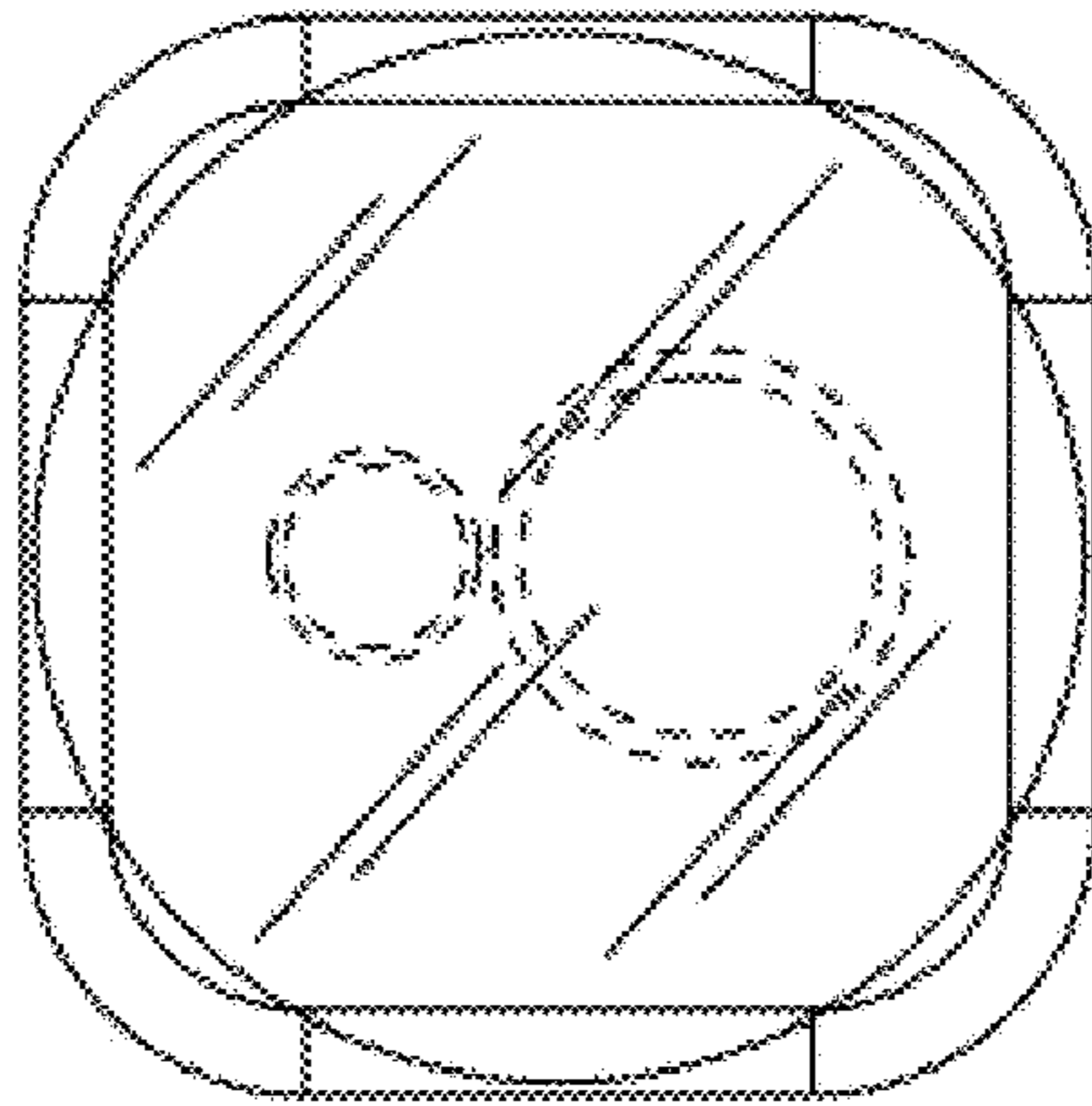


Fig. 6

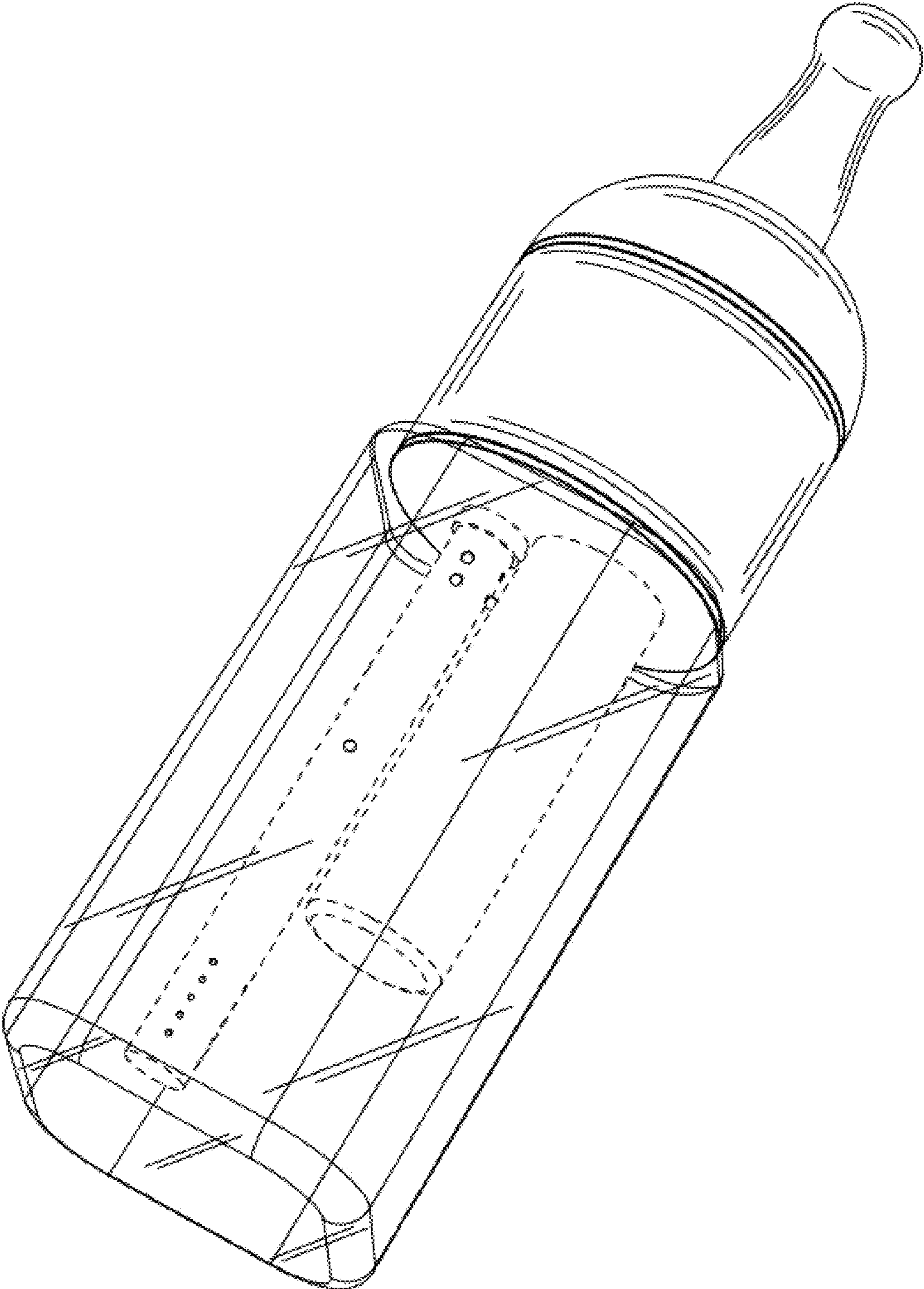


Fig. 7

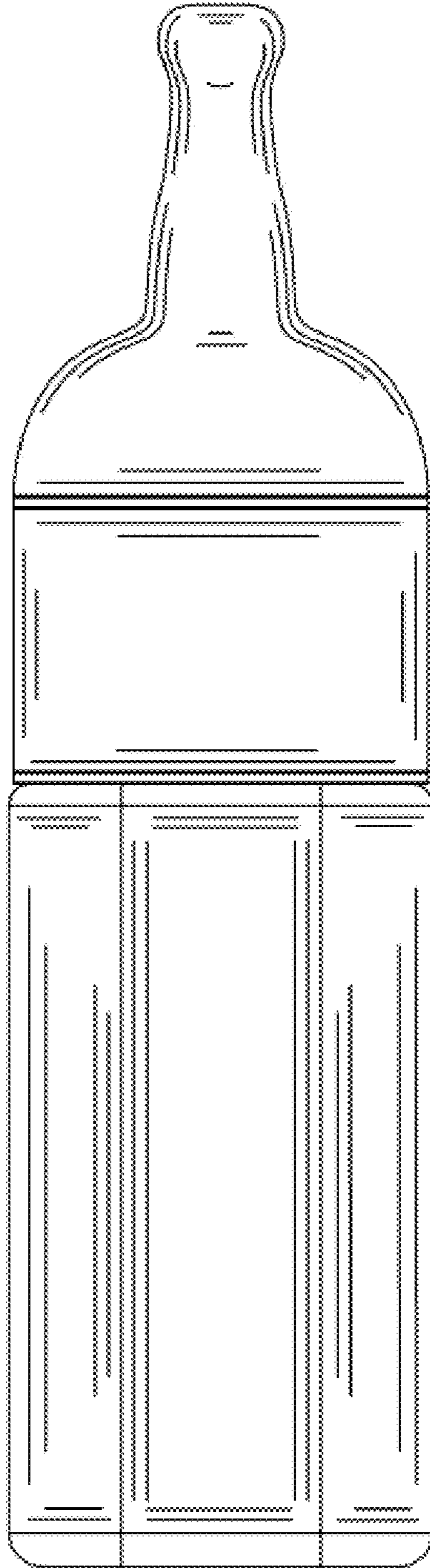


Fig. 8

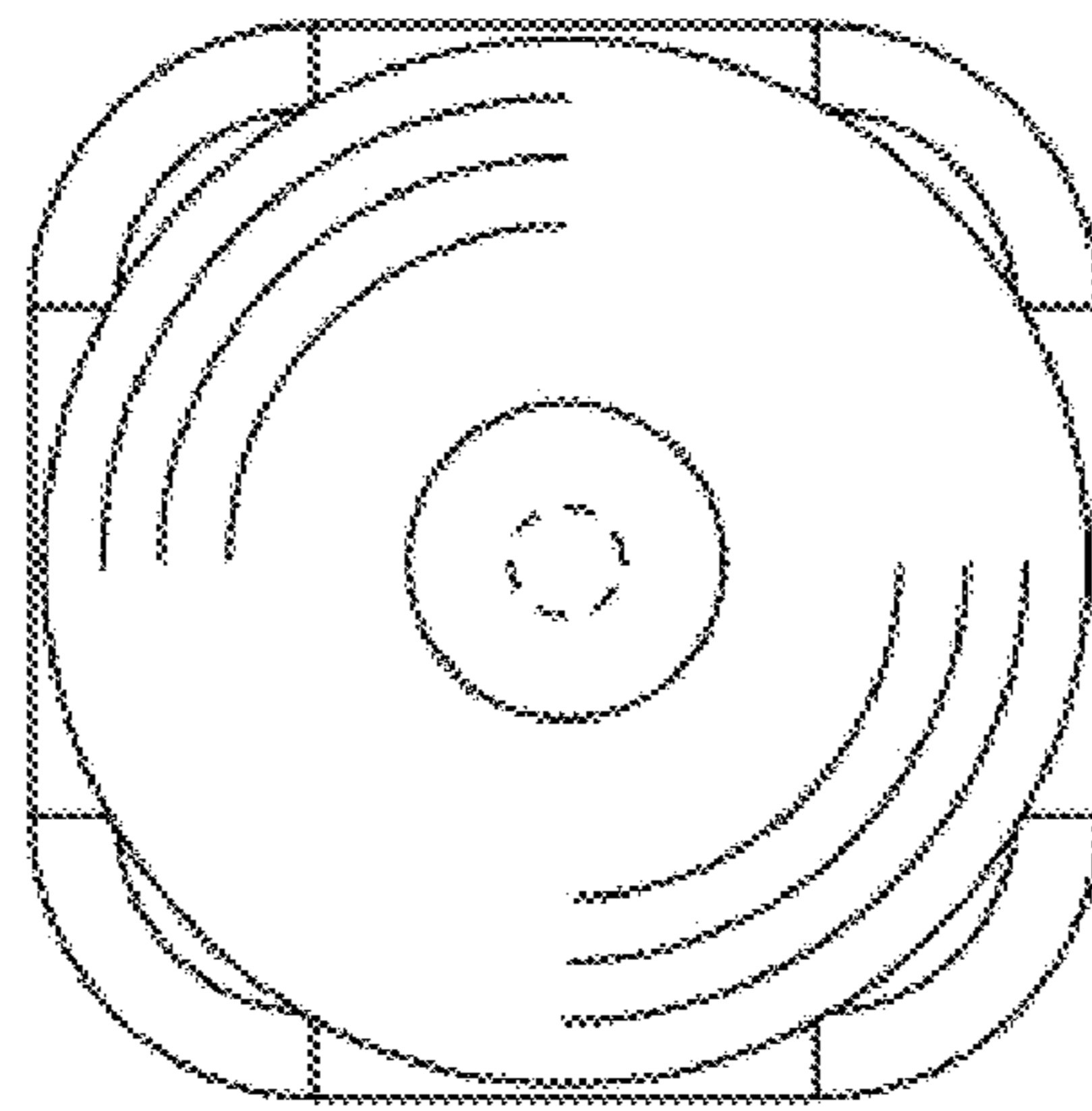


Fig. 9

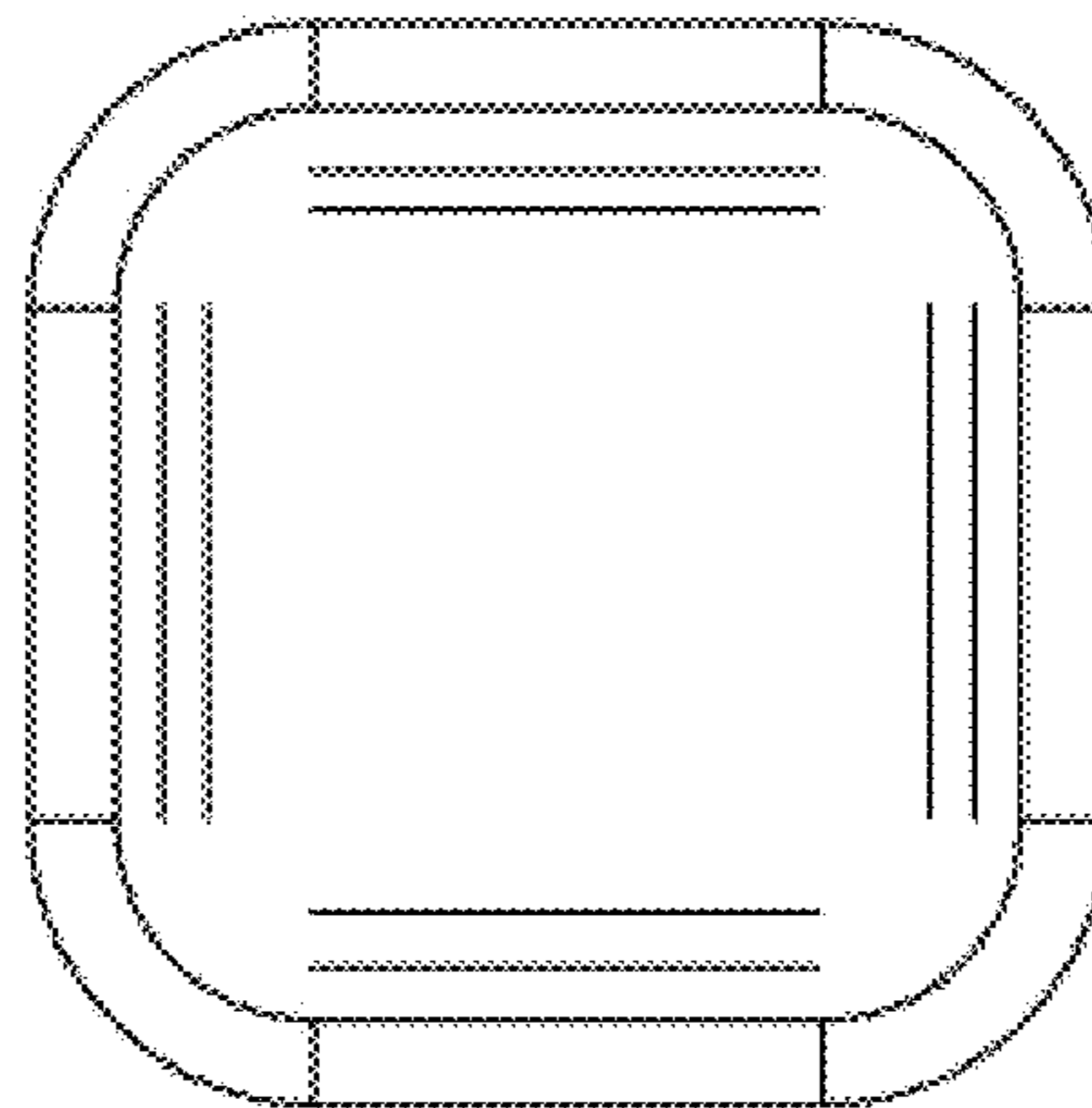


Fig. 10



Fig. 11