



US00D765307S

(12) **United States Design Patent** (10) **Patent No.:** **US D765,307 S**  
**Liu** (45) **Date of Patent:** **\*\* Aug. 30, 2016**

(54) **ELECTRONIC CIGARETTE**

(71) Applicant: **Qiuming Liu**, Guangdong (CN)

(72) Inventor: **Qiuming Liu**, Guangdong (CN)

(\*\*) Term: **14 Years**

(21) Appl. No.: **29/500,410**

(22) Filed: **Aug. 25, 2014**

(30) **Foreign Application Priority Data**

Feb. 25, 2014 (CN) ..... 2014 3 0033656

(51) **LOC (10) Cl.** ..... **27-01**

(52) **U.S. Cl.**  
USPC ..... **D27/101**

(58) **Field of Classification Search**  
USPC ..... D27/100, 101, 162, 165, 194; 131/270,  
131/271, 273, 329, 330, 347, 348, 360  
CPC ..... A24F 1/28; A24F 1/30; A24F 25/00;  
A24F 47/002; A24F 47/004; A24F 47/006;  
A24F 47/008; A24B 1/00  
See application file for complete search history.

(56) **References Cited**

**U.S. PATENT DOCUMENTS**

- 5,893,371 A \* 4/1999 Rose ..... A24F 47/0025  
131/270
- D644,375 S \* 8/2011 Zhou ..... D27/101
- D688,415 S \* 8/2013 Kim ..... D27/101
- D693,053 S \* 11/2013 Chen ..... D27/101
- D695,450 S \* 12/2013 Benassayag ..... D24/110.5
- D720,094 S \* 12/2014 Alima ..... D27/101
- D720,881 S \* 1/2015 Liu ..... D27/101

(Continued)

*Primary Examiner* — Rosemary K Tarca

*Assistant Examiner* — Christy Nemeth

(74) *Attorney, Agent, or Firm* — Tim Tingkang Xia, Esq.;  
Locke Lord LLP

(57) **CLAIM**

The ornamental design for an electronic cigarette, as shown and described.

**DESCRIPTION**

FIG. 1 is a front elevation view of a first embodiment of an electronic cigarette;

FIG. 2 is a rear elevation view of the first embodiment of the electronic cigarette;

FIG. 3 is a left side elevation view of the first embodiment of the electronic cigarette;

FIG. 4 is a right side elevation view of the first embodiment of the electronic cigarette;

FIG. 5 is a top plan view of the first embodiment of the electronic cigarette;

FIG. 6 is a bottom plan view of the first embodiment of the electronic cigarette;

FIG. 7 is a perspective view of the first embodiment of the electronic cigarette;

FIG. 8 is a perspective view of the first embodiment of the electronic cigarette, shown in an open position;

FIG. 9 is a front elevation view of a second embodiment of the electronic cigarette;

FIG. 10 is a rear elevation view of the second embodiment of the electronic cigarette;

FIG. 11 is a left side elevation view of the second embodiment of the electronic cigarette;

FIG. 12 is a right side elevation view of the second embodiment of the electronic cigarette;

FIG. 13 is a top plan view of the second embodiment of the electronic cigarette;

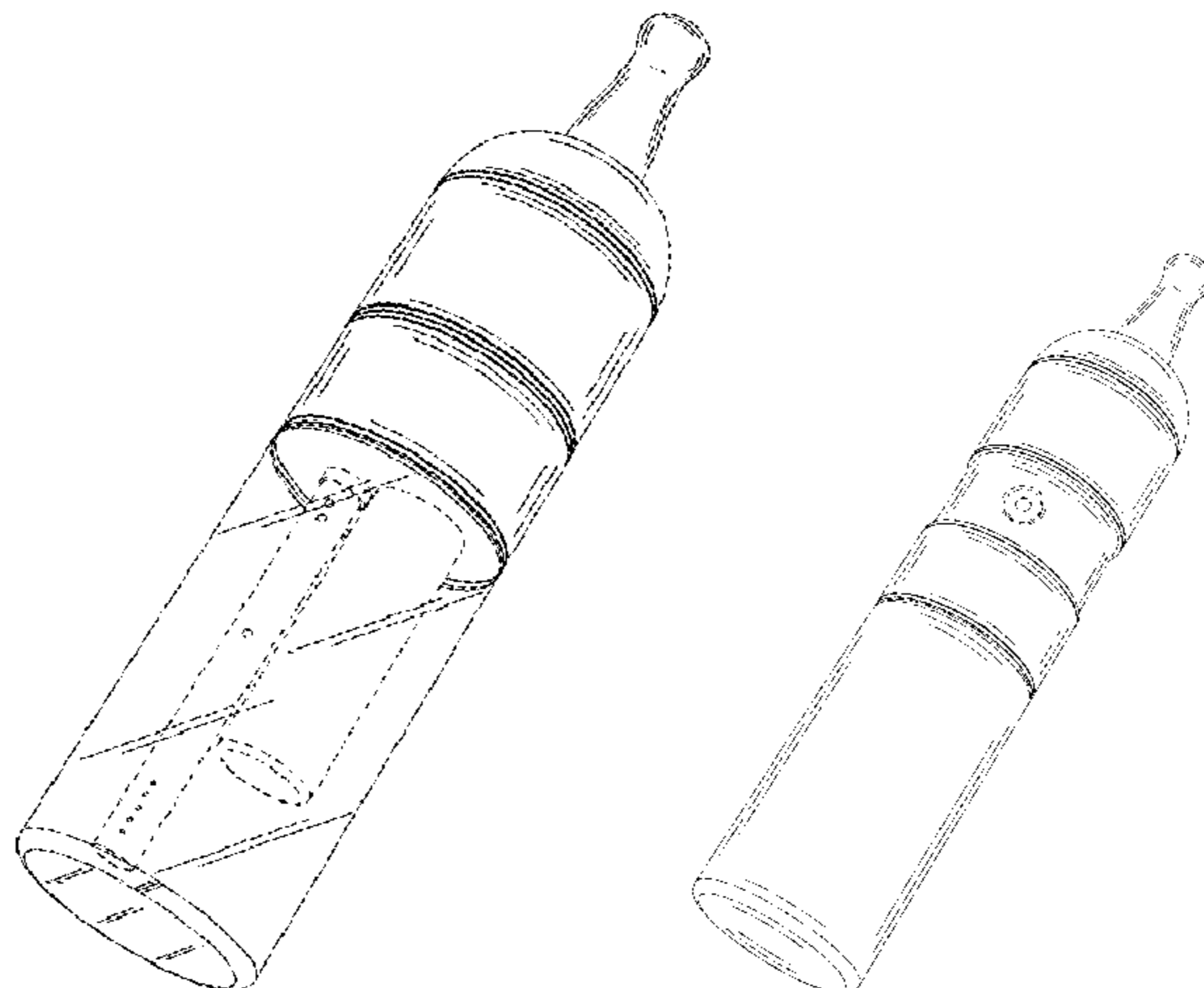
FIG. 14 is a bottom plan view of the second embodiment of the electronic cigarette;

FIG. 15 is a perspective view of the second embodiment of the electronic cigarette; and,

FIG. 16 is a perspective view of the second embodiment of the electronic cigarette, shown in an open position.

The broken lines shown in the drawings are included for the purpose of illustrating portions of the electronic cigarette which form no part of the claimed design.

**1 Claim, 14 Drawing Sheets**



(56)

References Cited

U.S. PATENT DOCUMENTS

8,955,522 B1 *	2/2015	Bowen	.....	A24F 47/008	2014/0174458 A1 *	6/2014	Katz	.....	A24F 47/008
				128/202.21					131/200
D724,782 S *	3/2015	Wu	.....	D27/101	2015/0078735 A1 *	3/2015	Cormack	.....	A24F 47/00
D728,155 S *	4/2015	Liu	.....	D27/101					392/395
D728,156 S *	4/2015	Wu	.....	D27/101	2015/0090253 A1 *	4/2015	Farrow	.....	A24F 47/008
D729,441 S *	5/2015	Hua	.....	D27/101					128/200.14
D730,571 S *	5/2015	Chen	.....	D27/101	2015/0181944 A1 *	7/2015	Li	.....	A24F 47/008
D732,239 S *	6/2015	Chen	.....	D27/101					131/329
2013/0068239 A1 *	3/2013	Youn	.....	A24F 47/008	2015/0189916 A1 *	7/2015	Wu	.....	A24F 47/008
				131/273					219/510
2013/0180533 A1 *	7/2013	Kim	.....	A24F 47/008	2015/0196062 A1 *	7/2015	Li	.....	A24F 47/008
				131/273					131/329
2013/0319407 A1 *	12/2013	Liu	.....	A61M 15/06	2015/0257449 A1 *	9/2015	Gabbay	.....	A24F 47/008
				128/202.21					392/386
2013/0333711 A1 *	12/2013	Liu	.....	A24F 47/008	2015/0282528 A1 *	10/2015	Liu	.....	A24F 47/008
				131/329					131/329
2014/0041655 A1 *	2/2014	Barron	.....	A61B 11/042	2015/0282529 A1 *	10/2015	Li	.....	A24F 47/008
				128/202.21					131/273
					2015/0282530 A1 *	10/2015	Johnson	.....	A24F 47/002
									392/387

\* cited by examiner

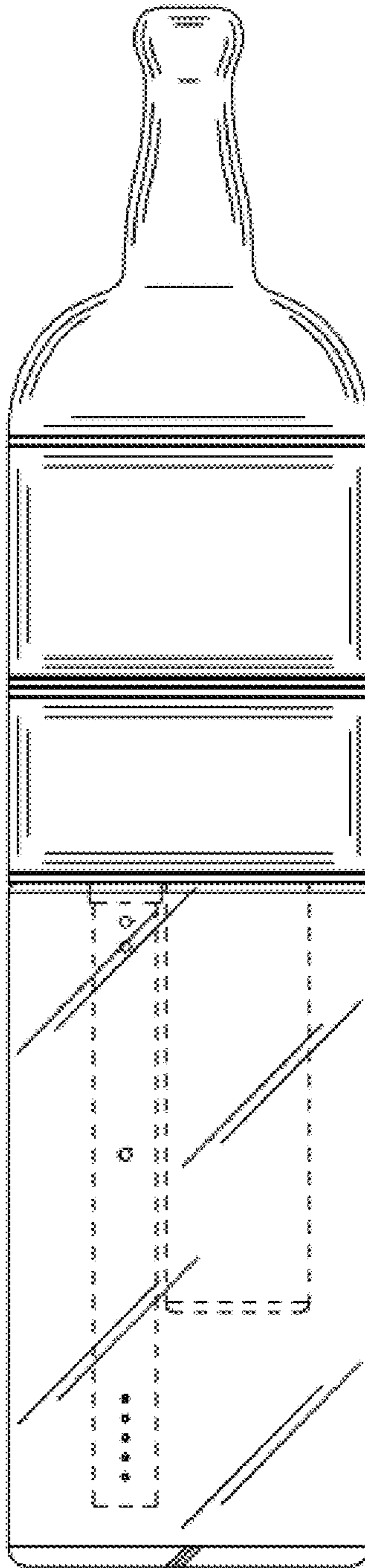


Fig. 1

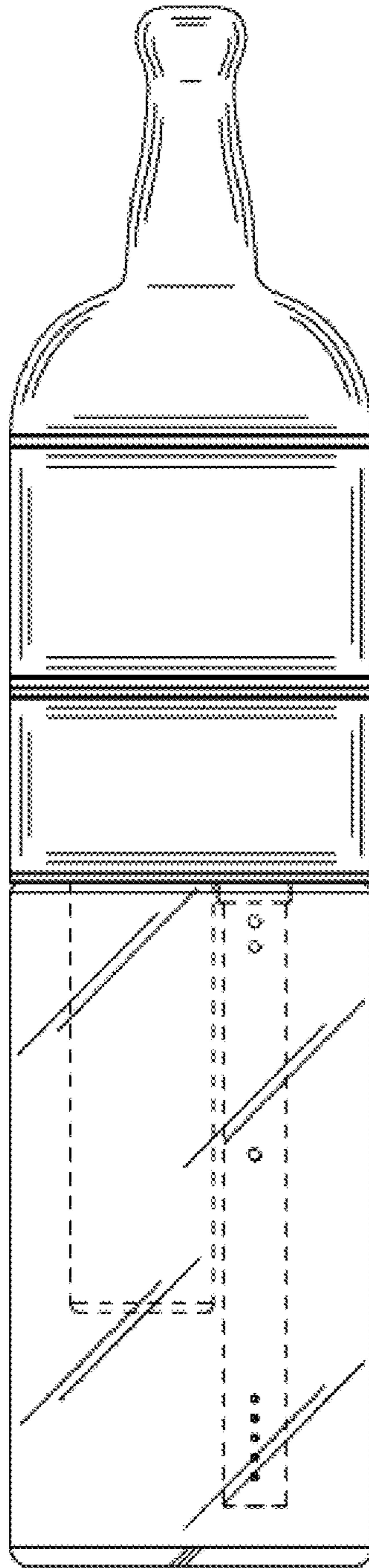


Fig. 2

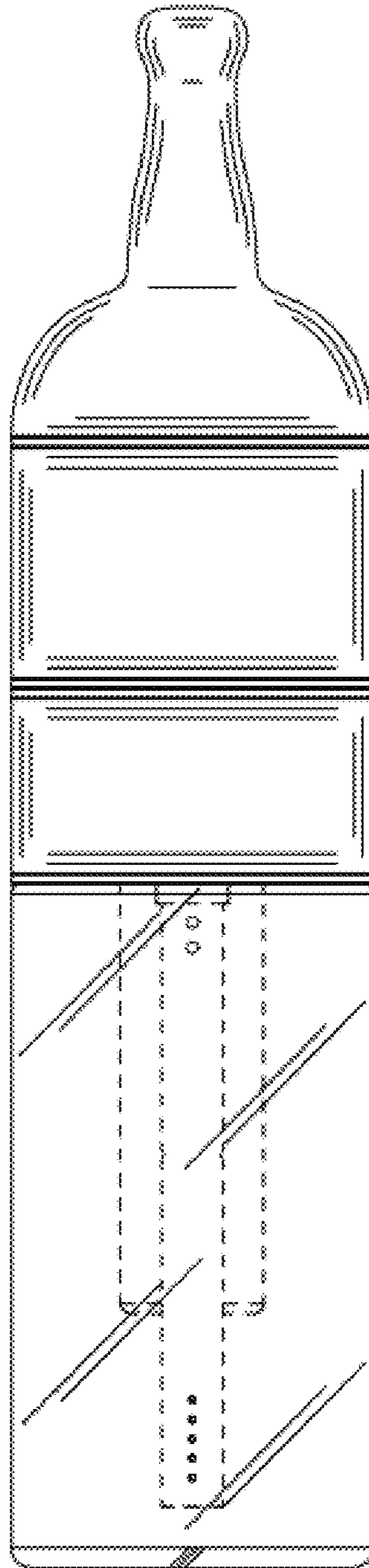


Fig. 3

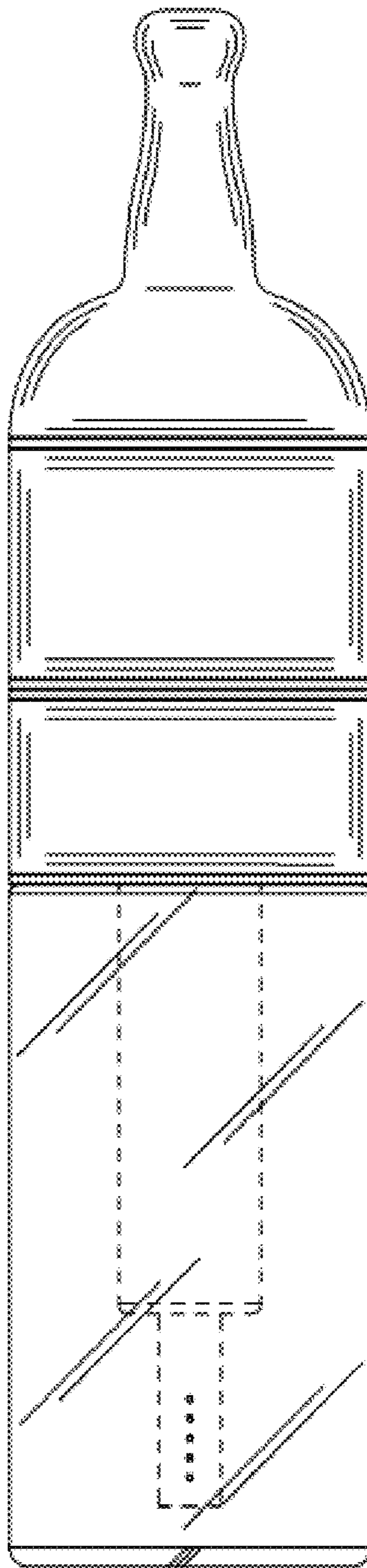


Fig. 4

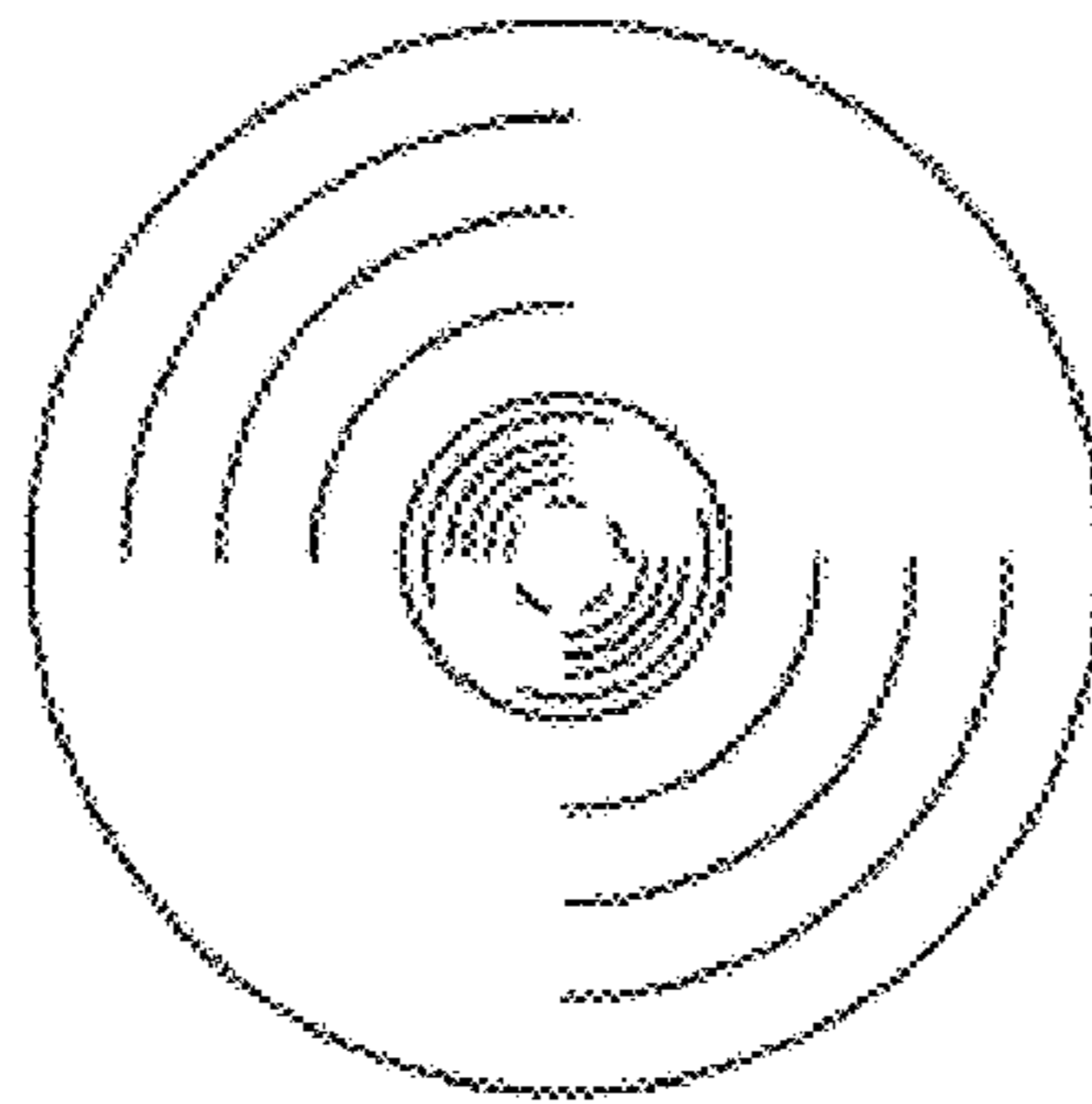


Fig. 5

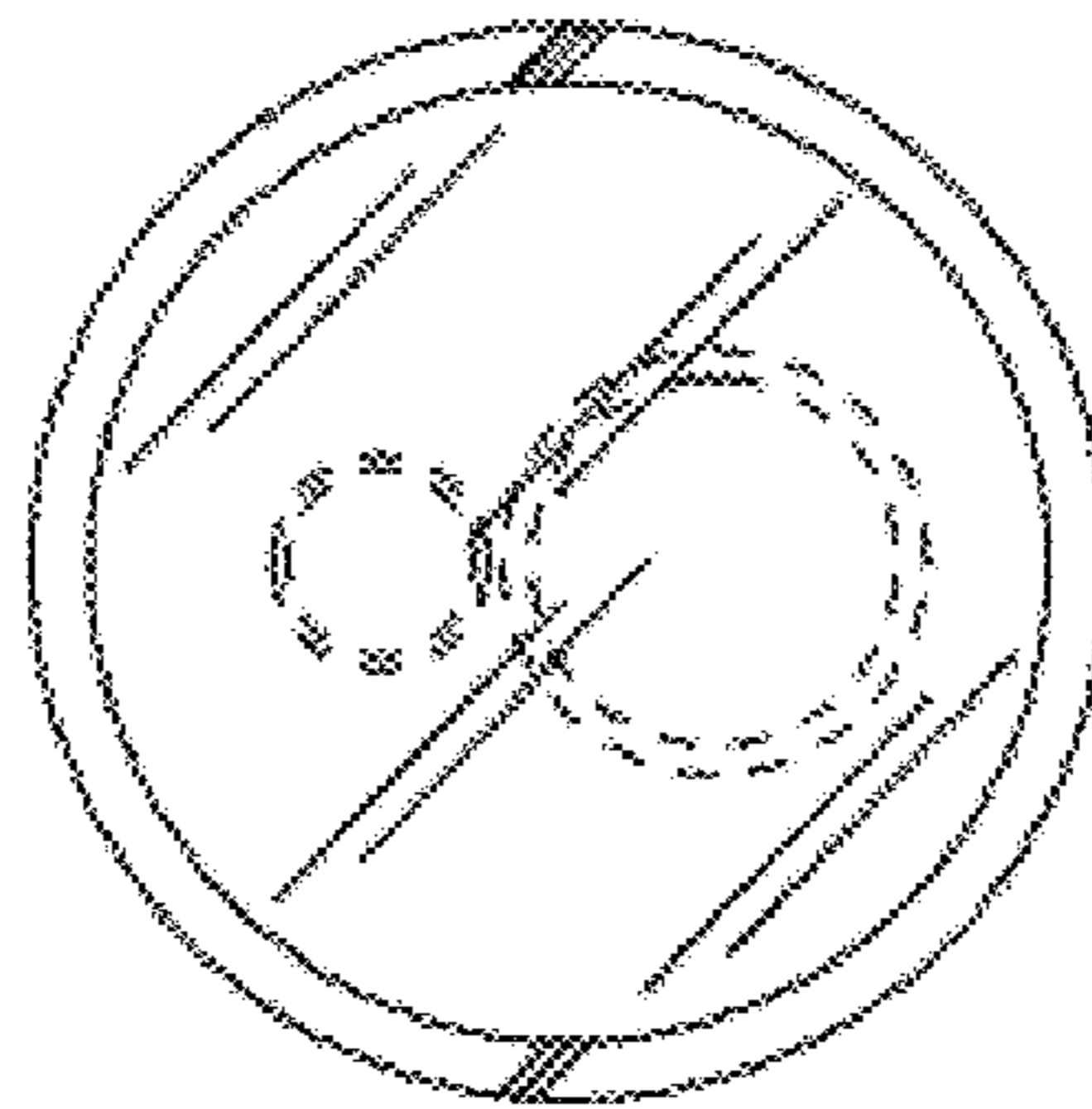


Fig. 6

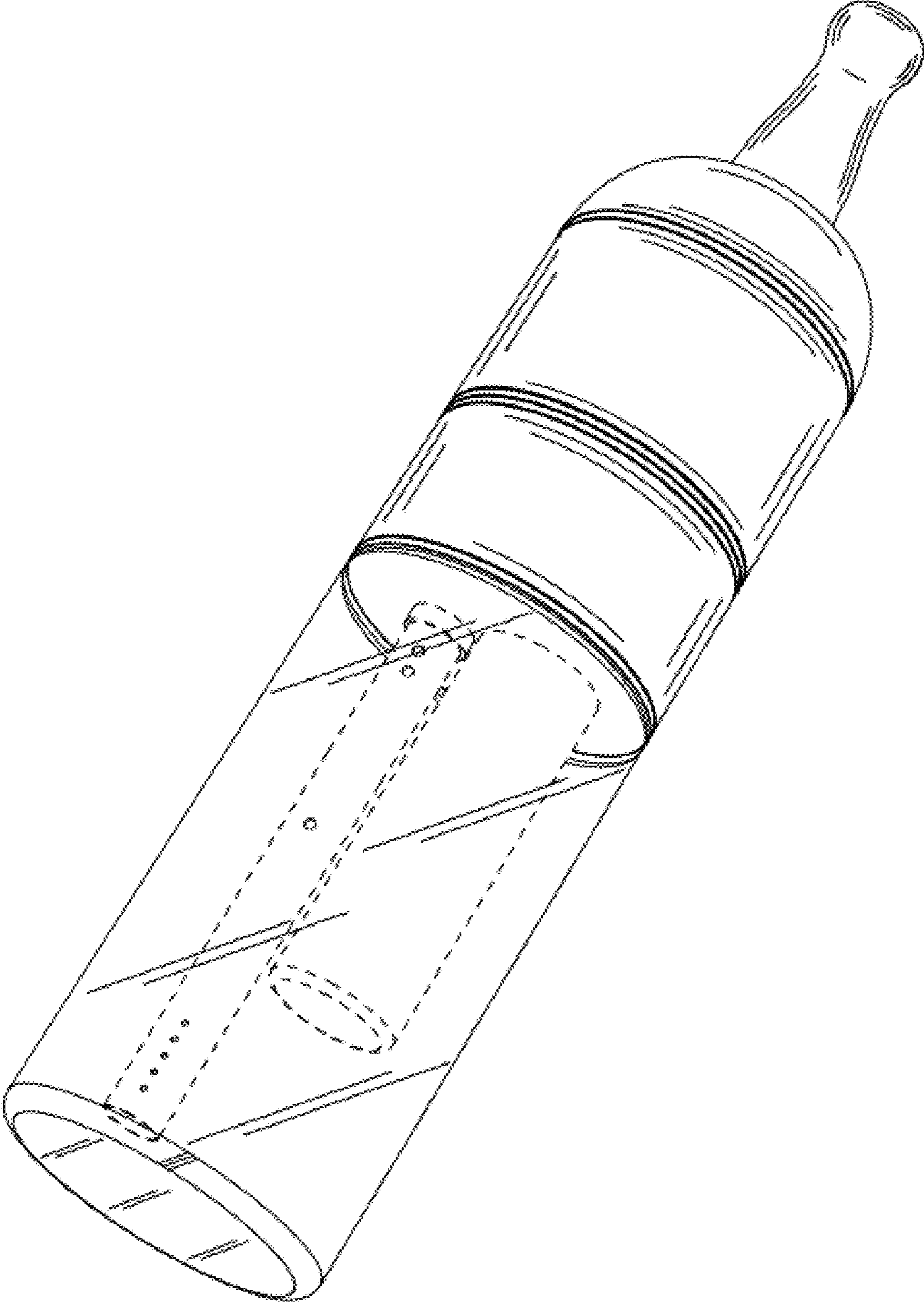


Fig. 7



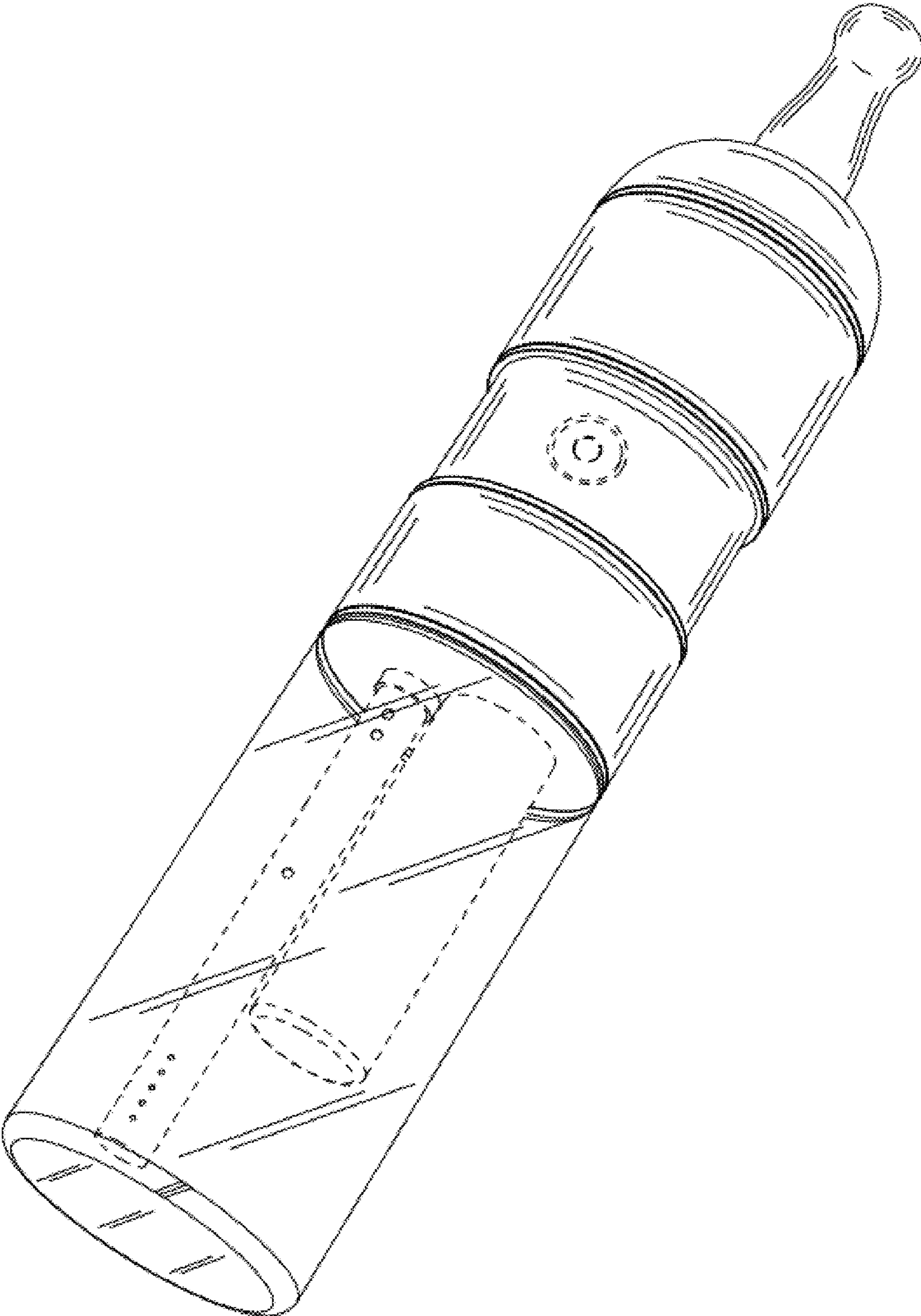


Fig. 8

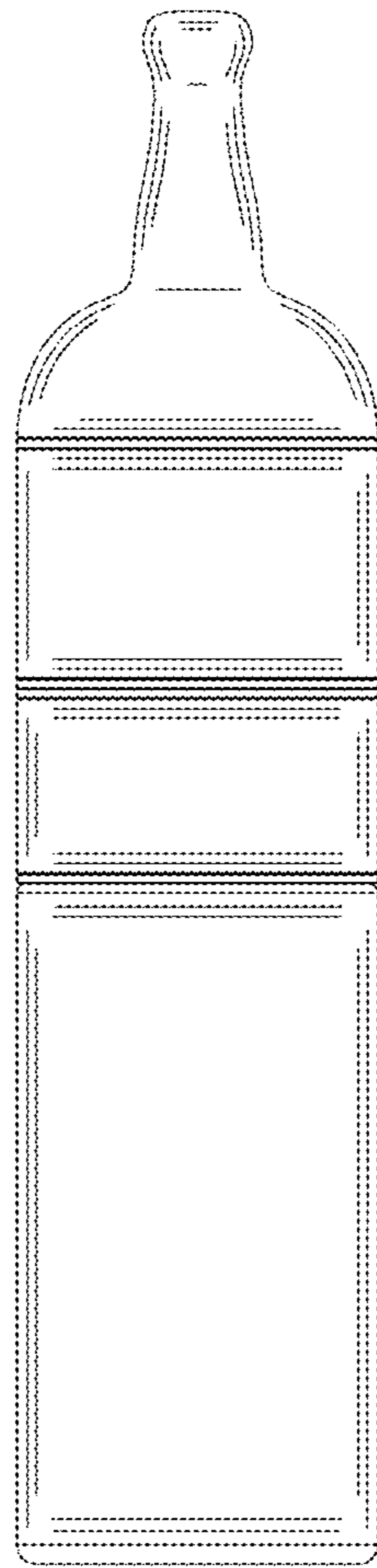


Fig. 9

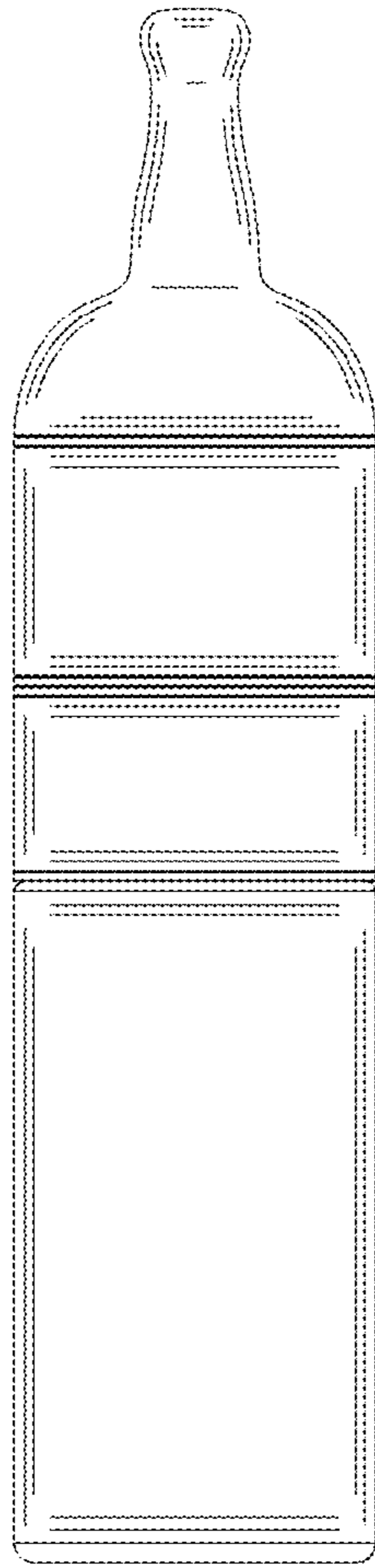


Fig. 10

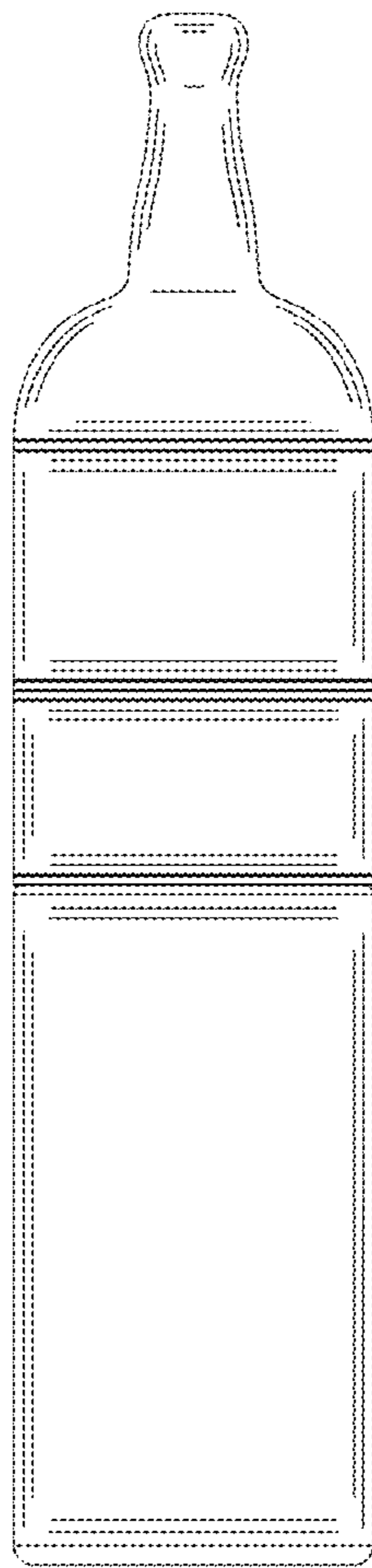


Fig. 11

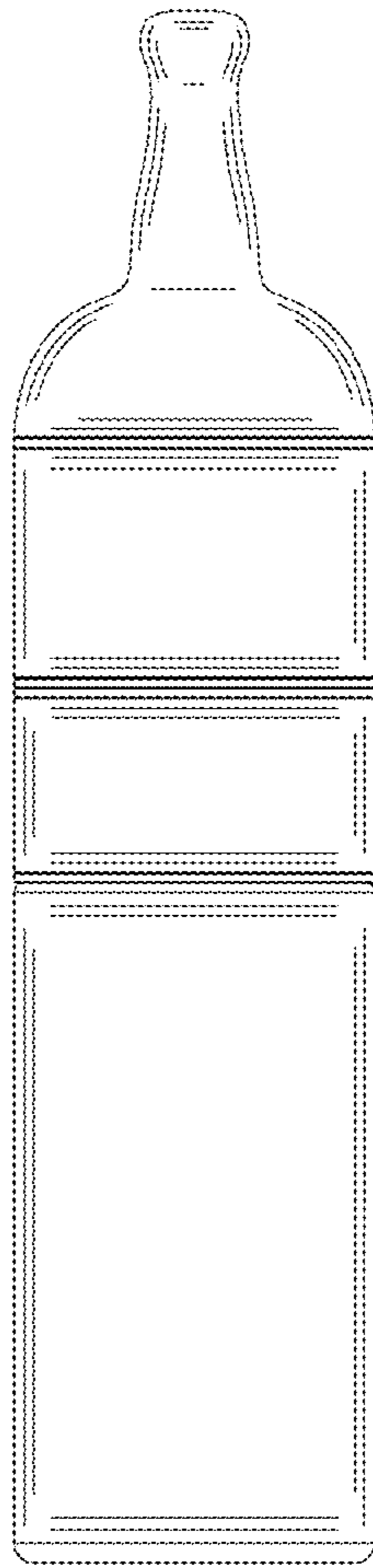


Fig. 12

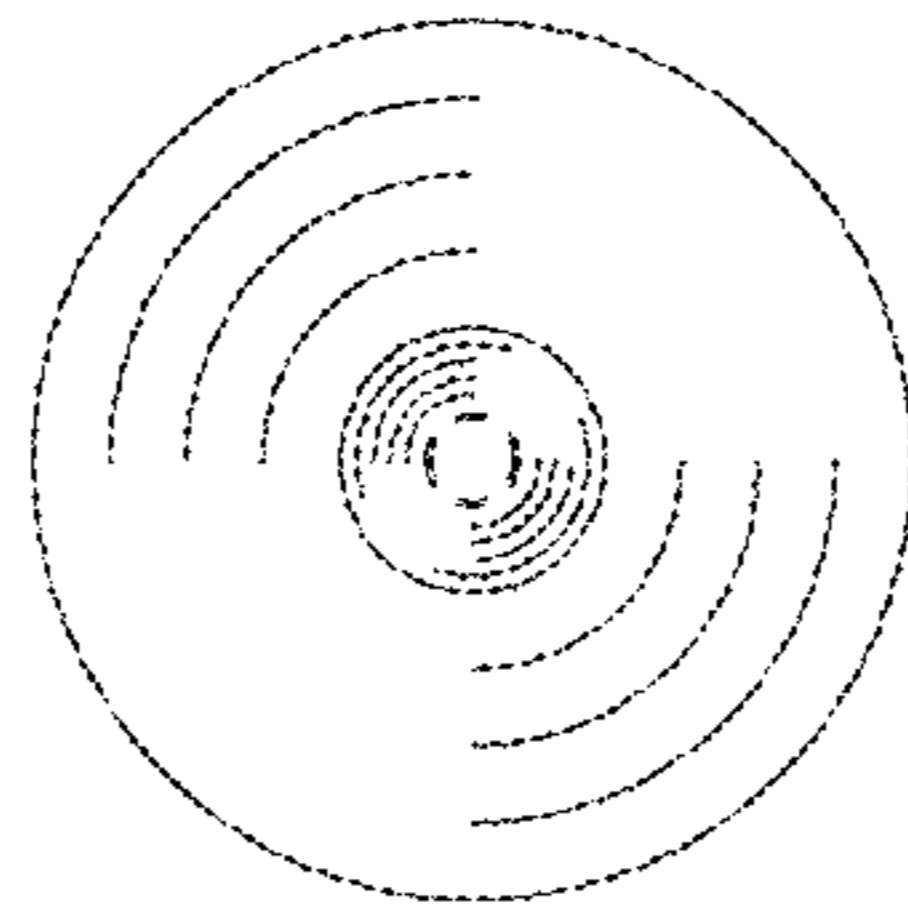


Fig. 13

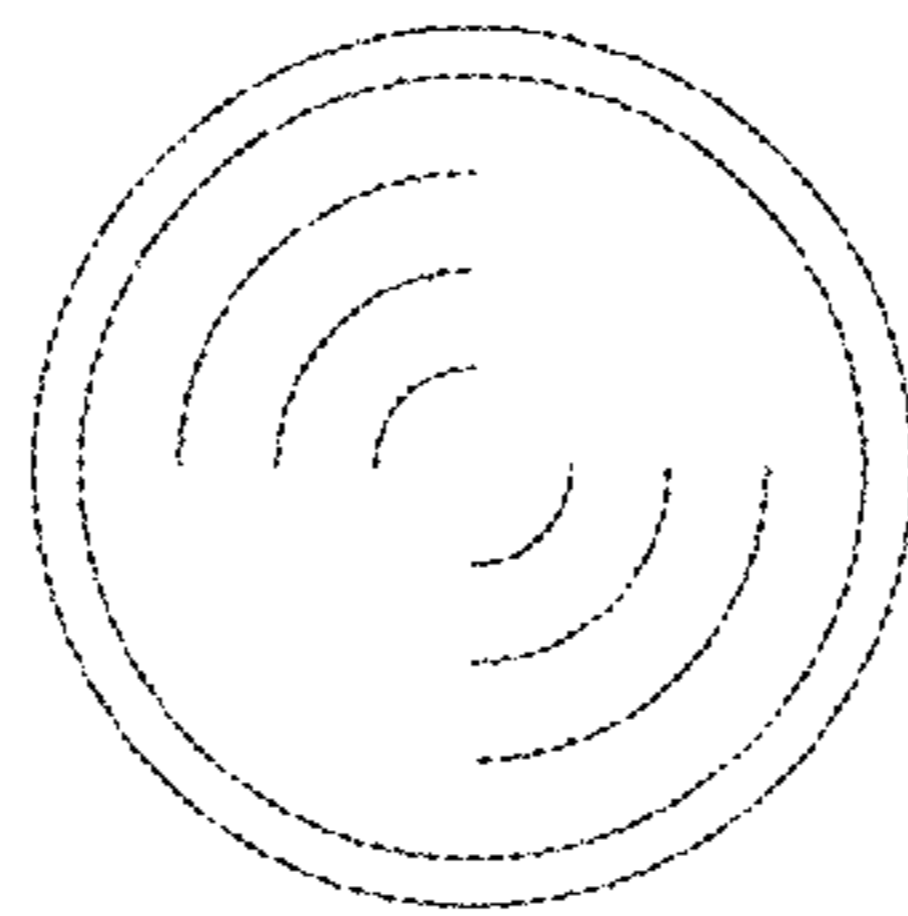


Fig. 14

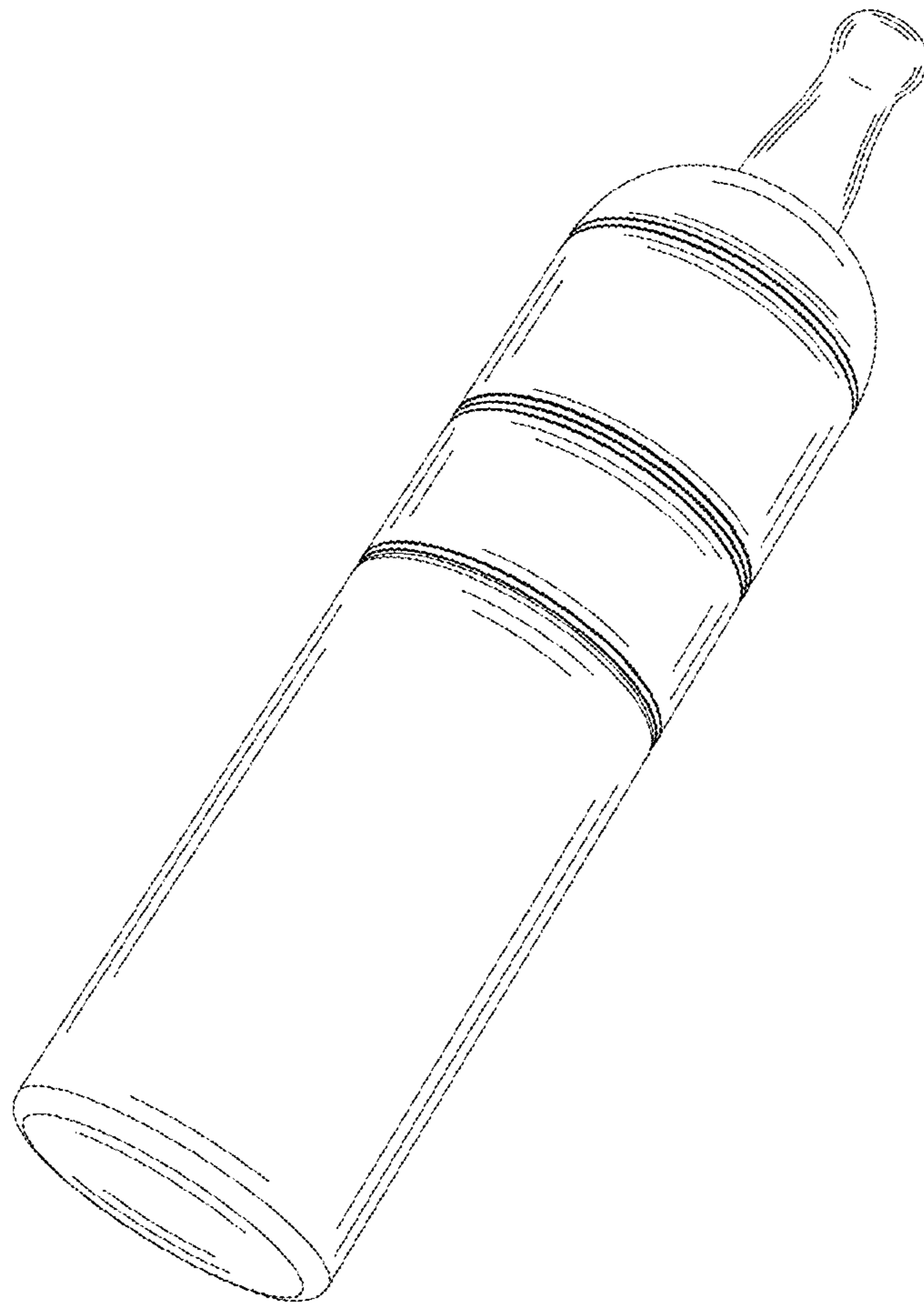


Fig. 15

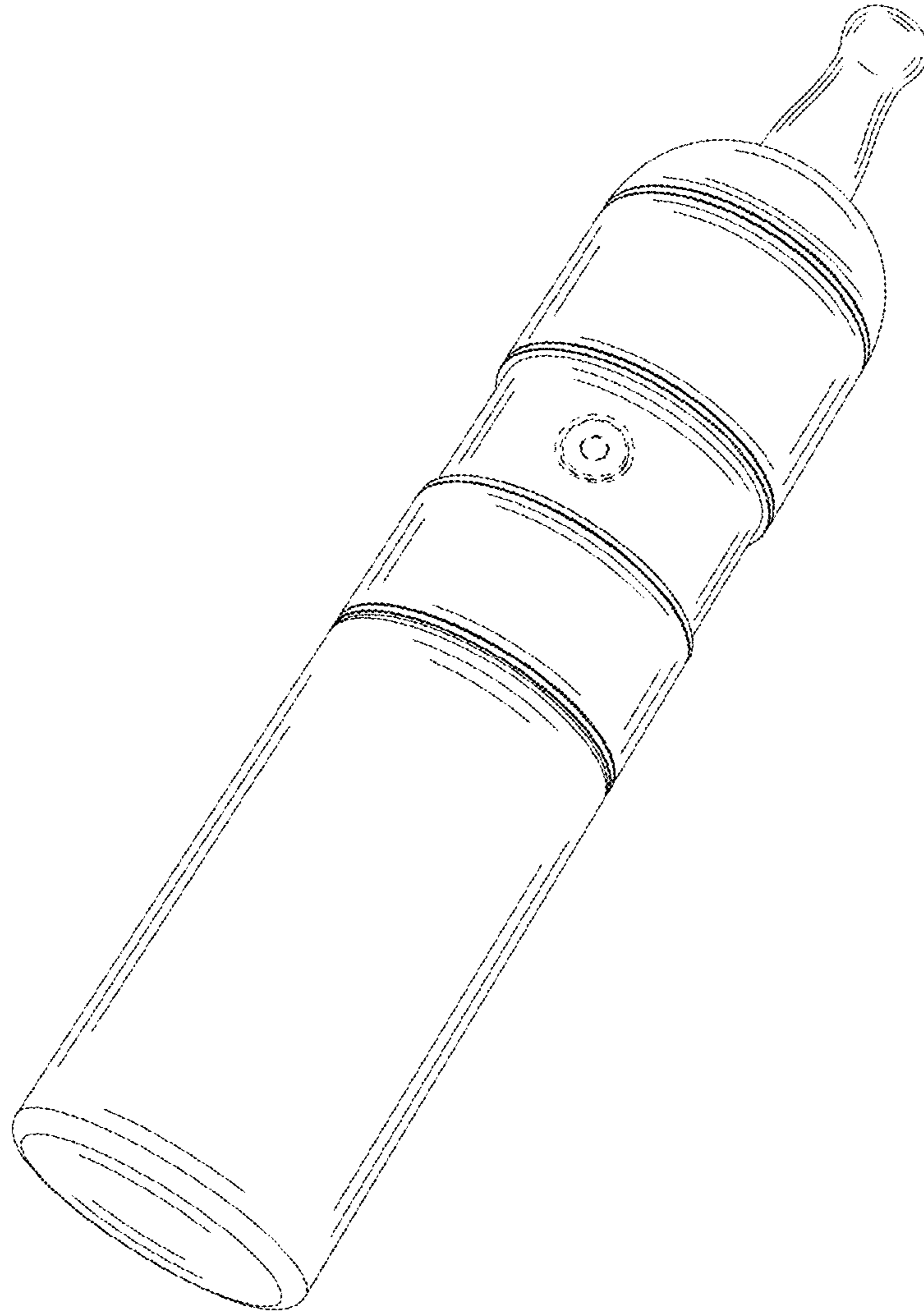


Fig. 16