



US00D765306S

(12) **United States Design Patent**  
**Wardenburg et al.**

(10) **Patent No.:** **US D765,306 S**

(45) **Date of Patent:** **\*\* Aug. 30, 2016**

(54) **GROW LIGHT REFLECTOR**

(71) Applicant: **HYDROFARM, INC.**, Petaluma, CA (US)

(72) Inventors: **Peter Wardenburg**, Novato, CA (US);  
**Jason Mengelkoch**, Sonoma, CA (US)

(73) Assignee: **HYDROFARM, INC.**, Petaluma, CA (US)

(\*\*) Term: **15 Years**

(21) Appl. No.: **29/546,155**

(22) Filed: **Nov. 19, 2015**

(51) **LOC (10) Cl.** ..... **29-99**

(52) **U.S. Cl.**  
USPC ..... **D26/118**

(58) **Field of Classification Search**  
USPC ..... D26/9, 10, 12, 13, 15, 16, 24, 51, 61,  
D26/72, 76, 80, 81, 85, 86, 88, 90, 113, 118,  
D26/119, 120, 122, 128, 129, 138, 143, 144  
CPC ..... B60Q 1/04; B60Q 1/26; F21S 8/026;  
F21S 8/04; F21V 29/004; F21V 21/02;  
F21V 21/04; F21V 29/2212; F21V 7/22;  
F21V 29/83; F21V 37/002; F21V 7/00;  
F21L 19/00; F23D 11/443; F21Y 2101/02;  
A61L 9/037

See application file for complete search history.

(56) **References Cited**

**U.S. PATENT DOCUMENTS**

D428,516 S *	7/2000	Reo	.....	D26/118
D447,272 S *	8/2001	Smith	.....	D26/118
D456,938 S *	5/2002	Wardenburg	.....	D26/118
D543,652 S *	5/2007	Hargreaves	.....	D26/118
D544,995 S *	6/2007	Hargreaves	.....	D26/118
D545,484 S *	6/2007	Hargreaves	.....	D26/118
D545,485 S *	6/2007	Hargreaves	.....	D26/118
D614,801 S *	4/2010	Collins	.....	D26/118
D634,060 S *	3/2011	Wardenburg	.....	D26/118

D634,469 S *	3/2011	Hargreaves	.....	D26/118
D675,369 S *	1/2013	Michaud	.....	D26/118
D693,959 S *	11/2013	Boyer	.....	D26/118
D698,986 S *	2/2014	Reynolds	.....	D26/118
8,905,575 B2 *	12/2014	Durkee	.....	F21V 7/0008 362/218
D731,701 S *	6/2015	Hargreaves	.....	D26/118
D732,235 S *	6/2015	Reynolds	.....	D26/118
D732,236 S *	6/2015	Reynolds	.....	D26/118
D736,450 S *	8/2015	Reynolds	.....	D26/118
D740,486 S *	10/2015	Stanley	.....	D26/118

(Continued)

*Primary Examiner* — Brian N Vinson

(74) *Attorney, Agent, or Firm* — Craig M. Stainbrook;  
Stainbrook & Stainbrook, LLP

(57) **CLAIM**

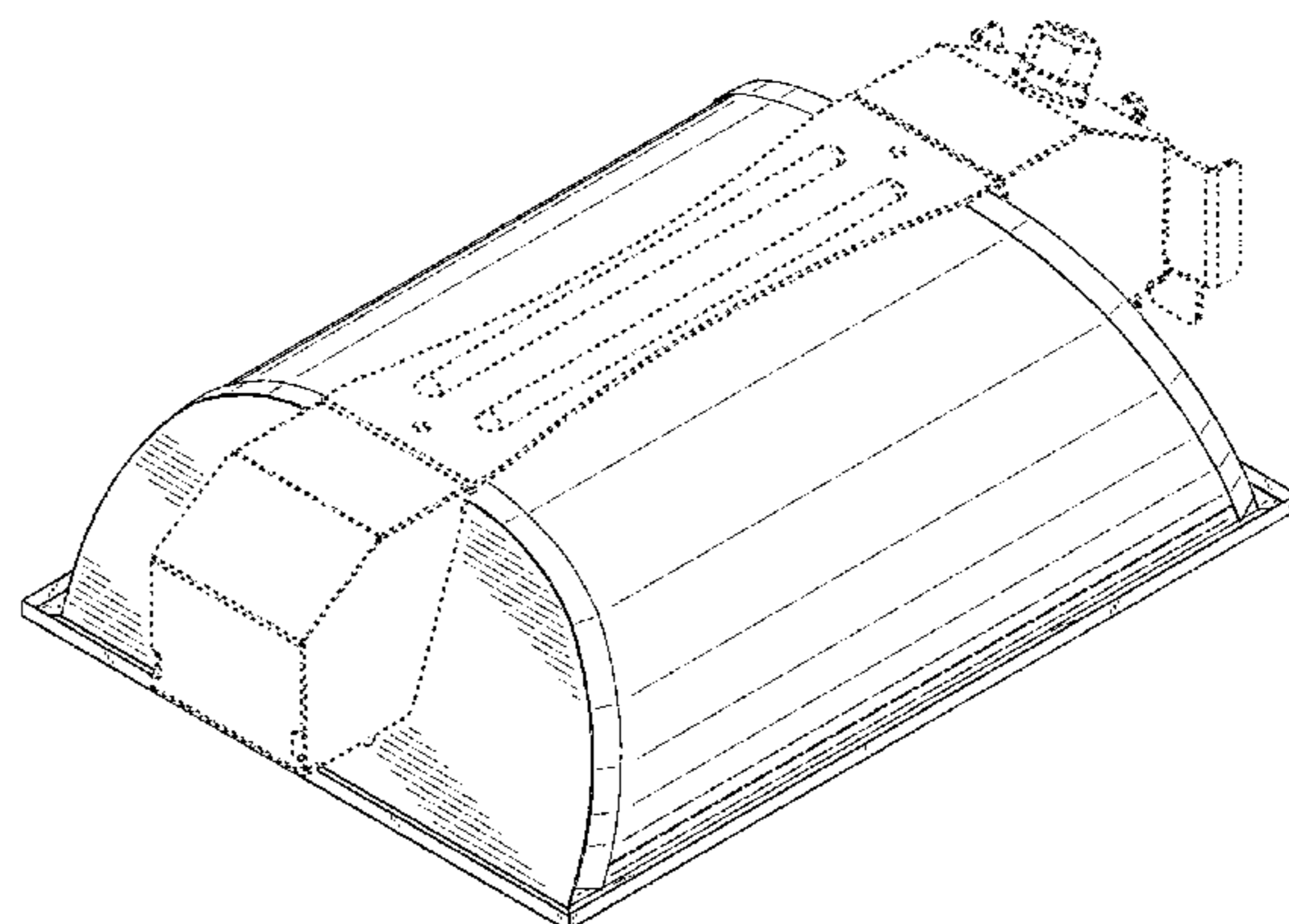
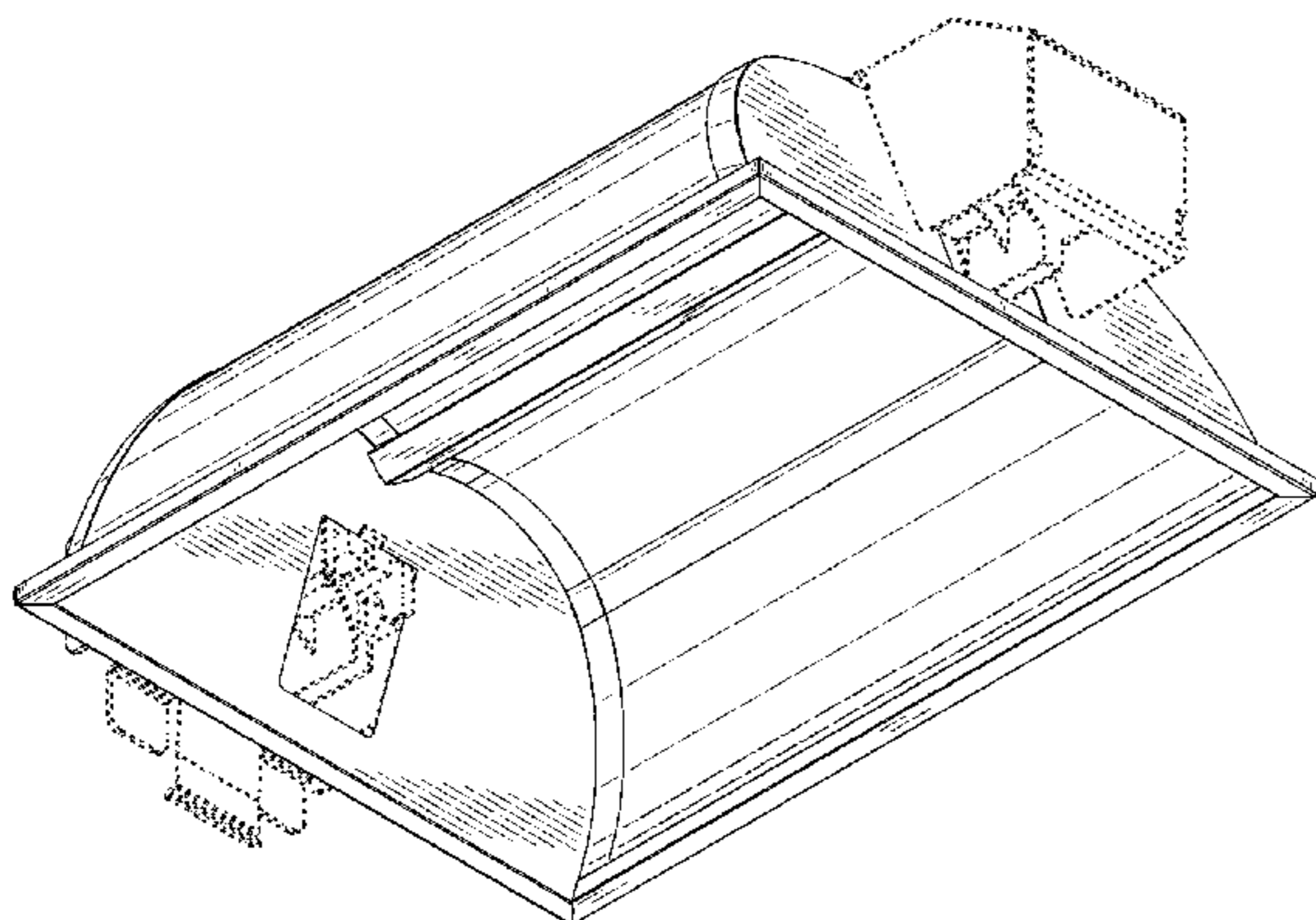
The ornamental design for a grow light reflector, as shown and described.

**DESCRIPTION**

FIG. 1 is a lower right rear perspective view, dashed lines indicate unclaimed elements;  
 FIG. 2 is an upper left front perspective view, dashed lines indicate unclaimed elements;  
 FIG. 3 is a front elevational view, the rear elevational is a mirror image thereof, dashed lines indicate unclaimed elements;  
 FIG. 4 is a right side elevational view, dashed lines indicate unclaimed elements;  
 FIG. 5 is a bottom plan view, dashed lines indicate unclaimed elements;  
 FIG. 6 is a top plan view, dashed lines indicate unclaimed elements;  
 FIG. 7 is a left side elevational view, dashed lines indicate unclaimed elements; and,  
 FIG. 8 is a cross sectional view along line 8-8 in FIG. 5, dashed lines indicate unclaimed elements.

The broken lines shown in the drawings are included for purposes of illustrating environmental structures only and form no part of the claimed design.

**1 Claim, 6 Drawing Sheets**



# US D765,306 S

Page 2

---

(56)

## References Cited

### U.S. PATENT DOCUMENTS

D747,029 S \* 1/2016 Reynolds ..... D26/118  
D748,849 S \* 2/2016 Stanley ..... D26/118

D750,316 S \* 2/2016 Reynolds ..... D26/118  
D751,244 S \* 3/2016 Reynolds ..... D26/118  
D751,247 S \* 3/2016 Reynolds ..... D26/118

\* cited by examiner

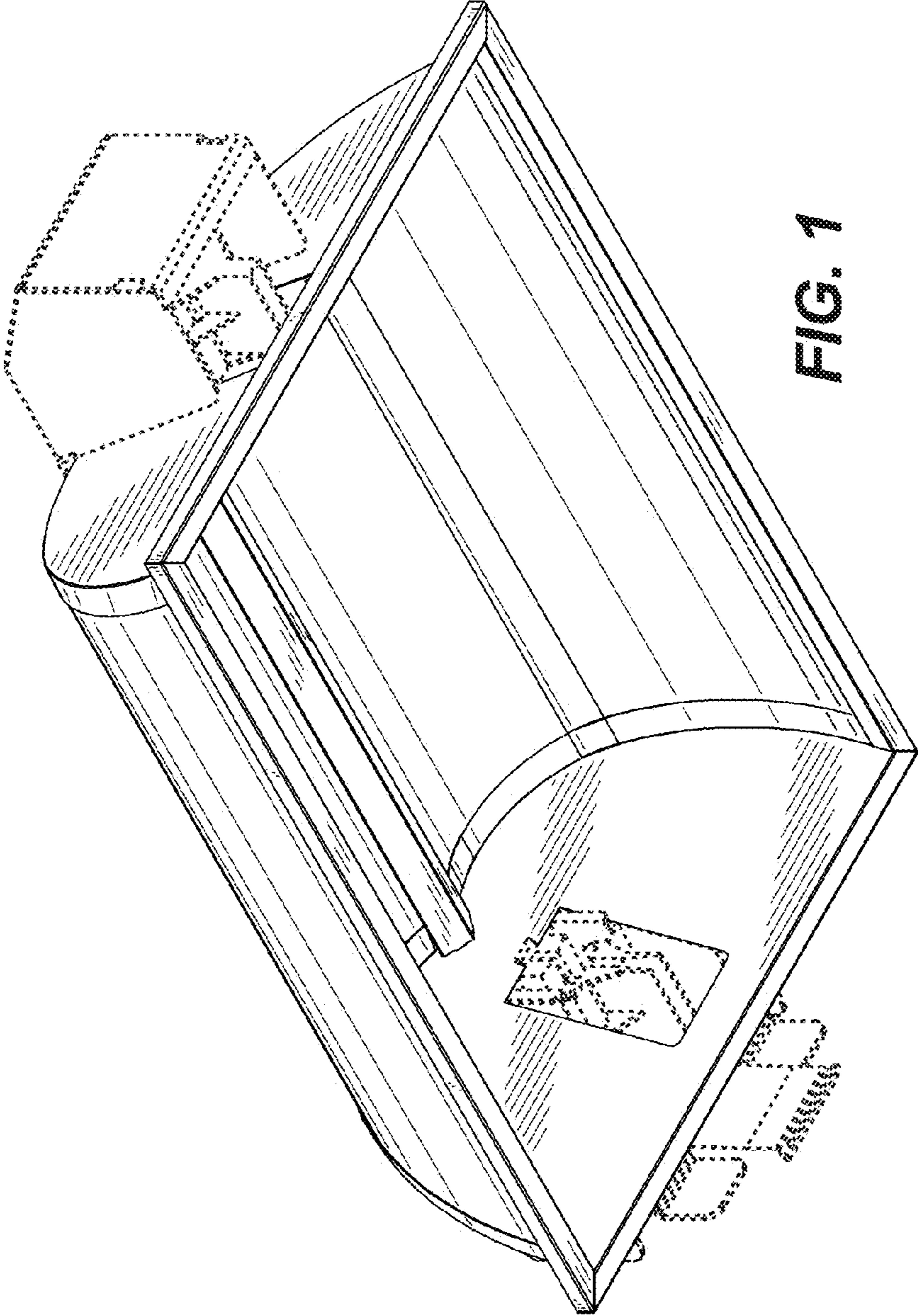


FIG. 1

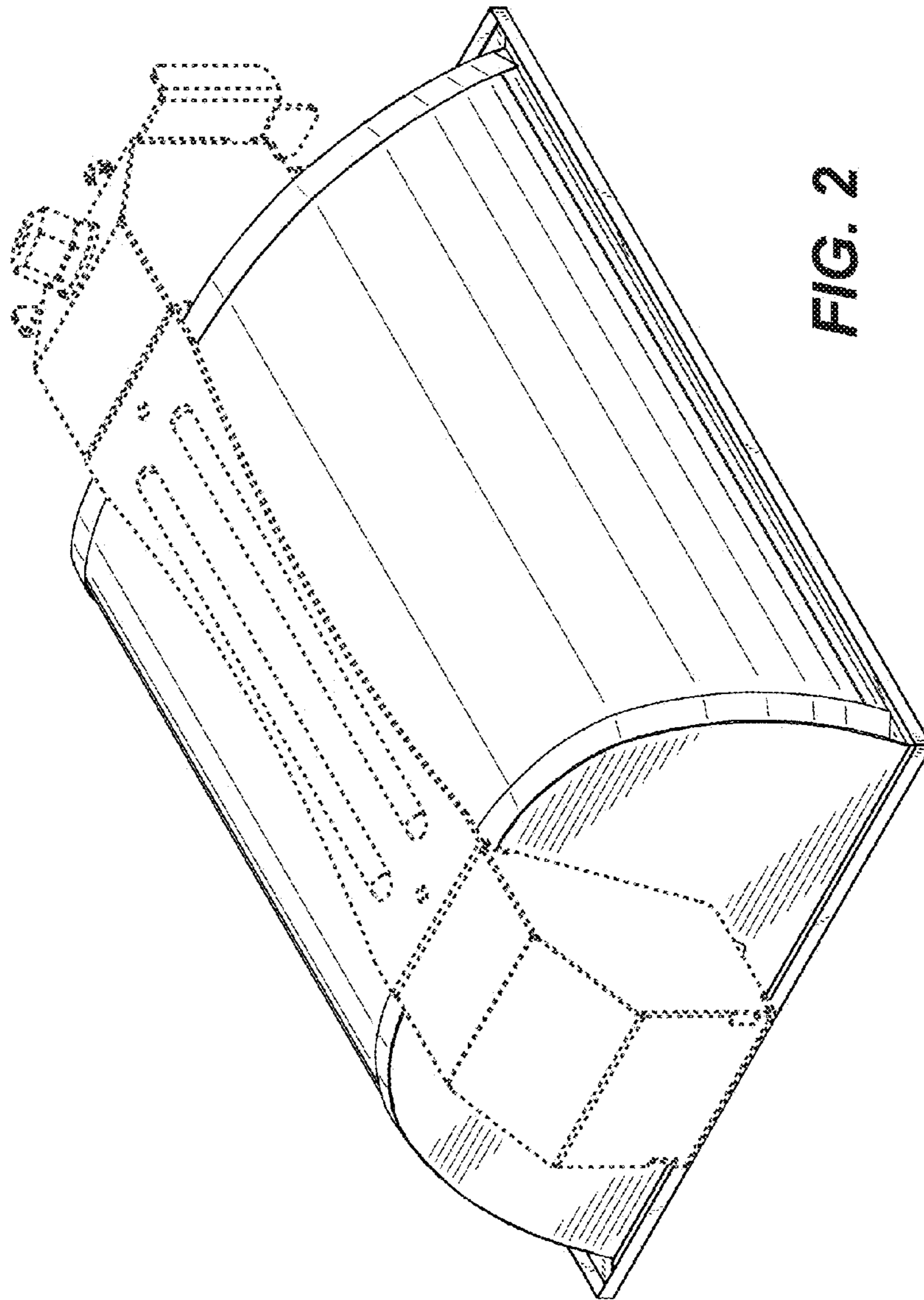


FIG. 2

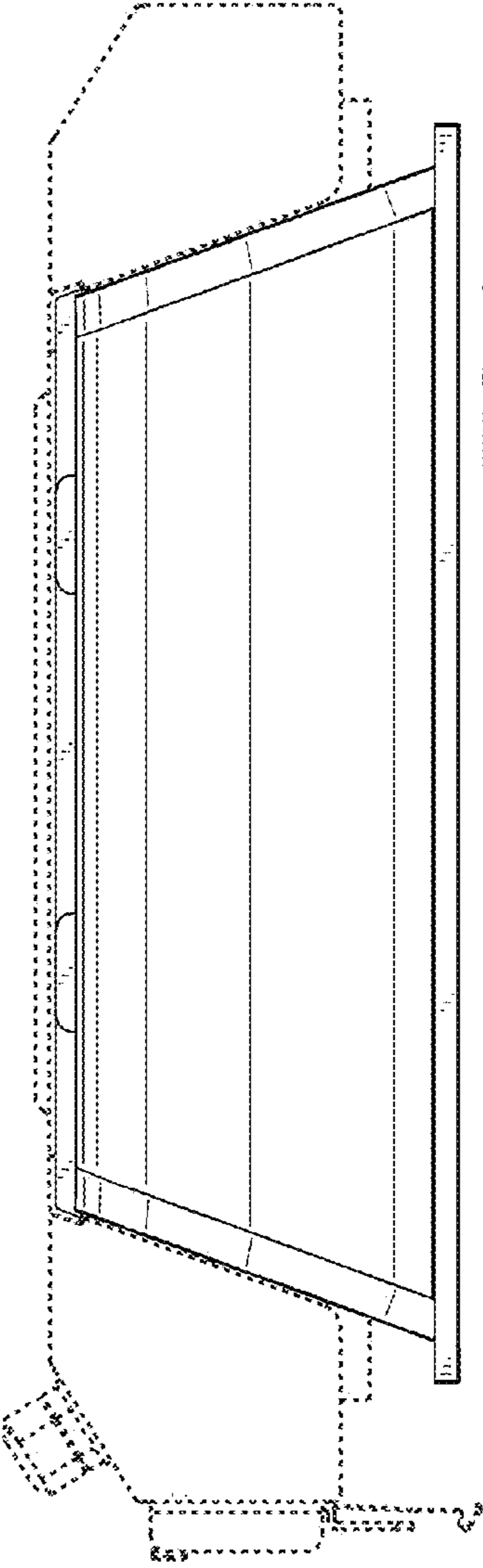


FIG. 3

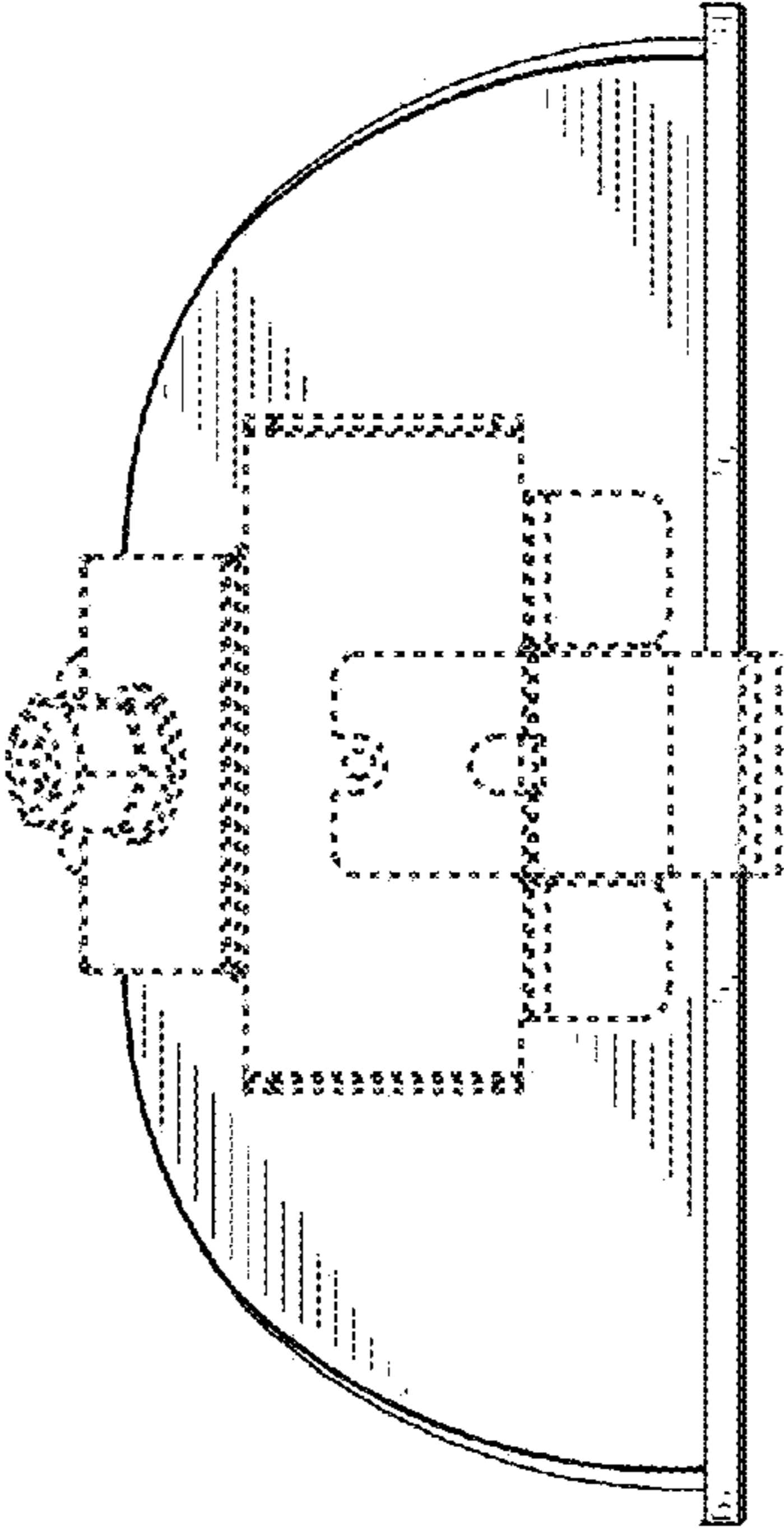
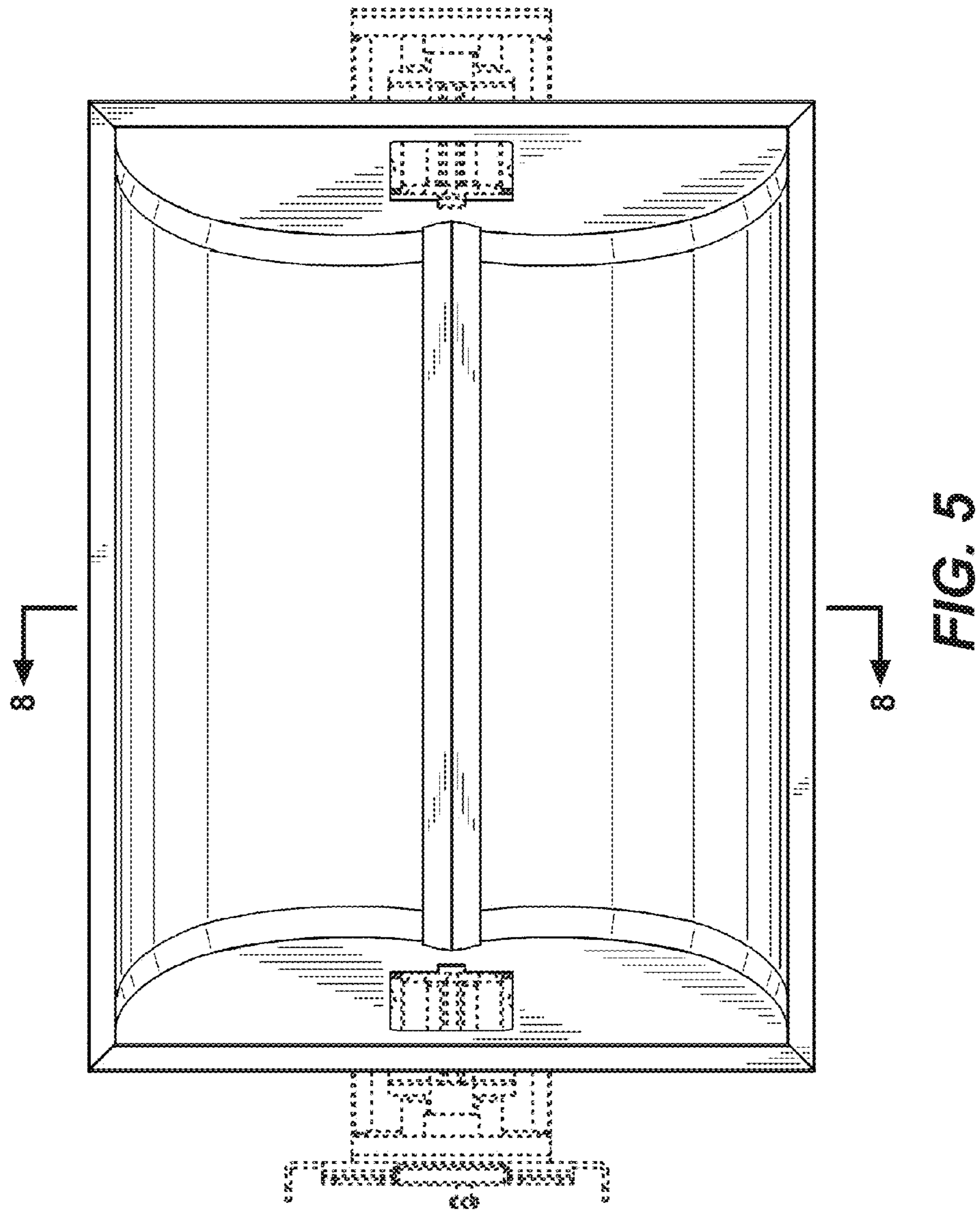


FIG. 4



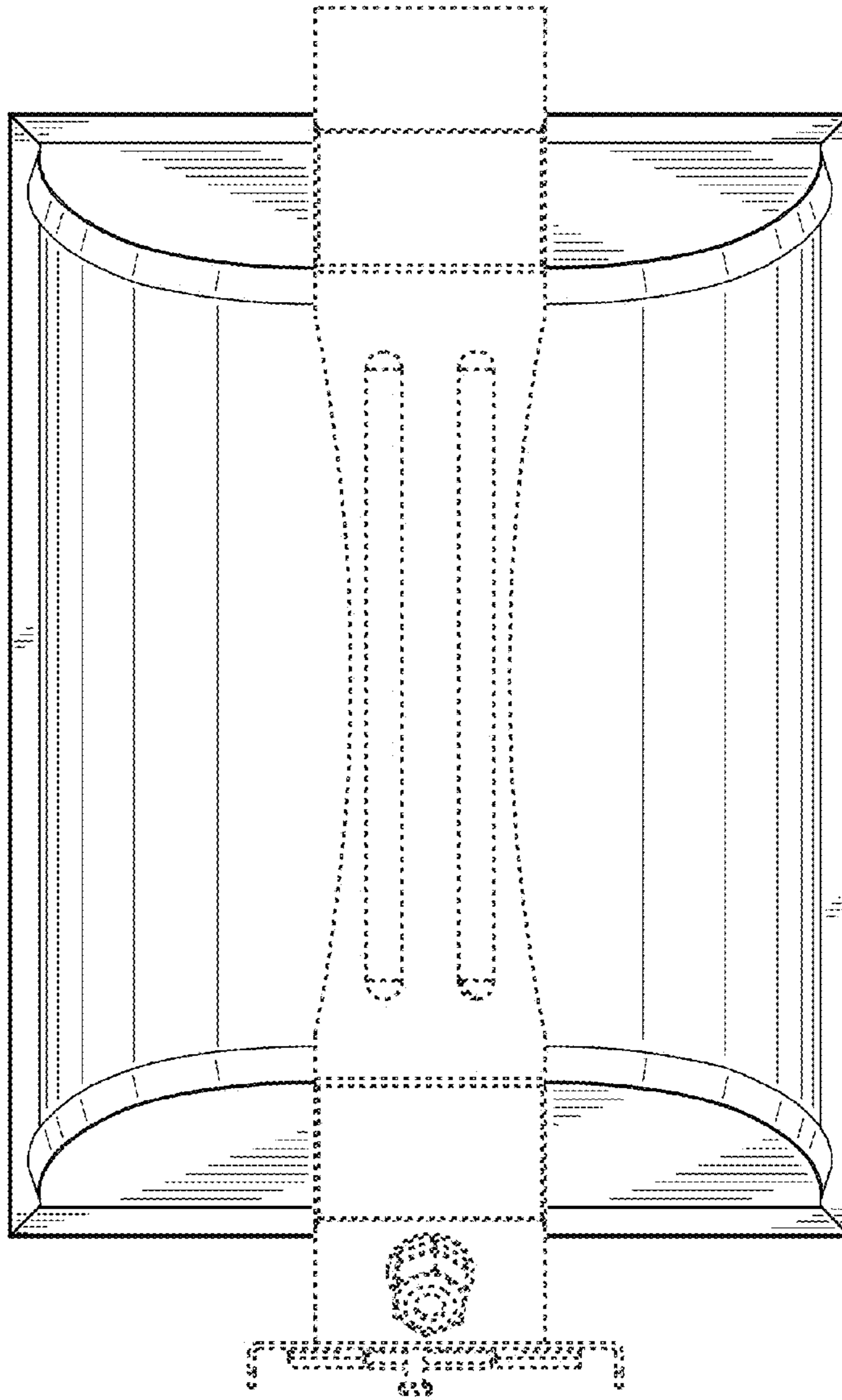


FIG. 6

FIG. 7

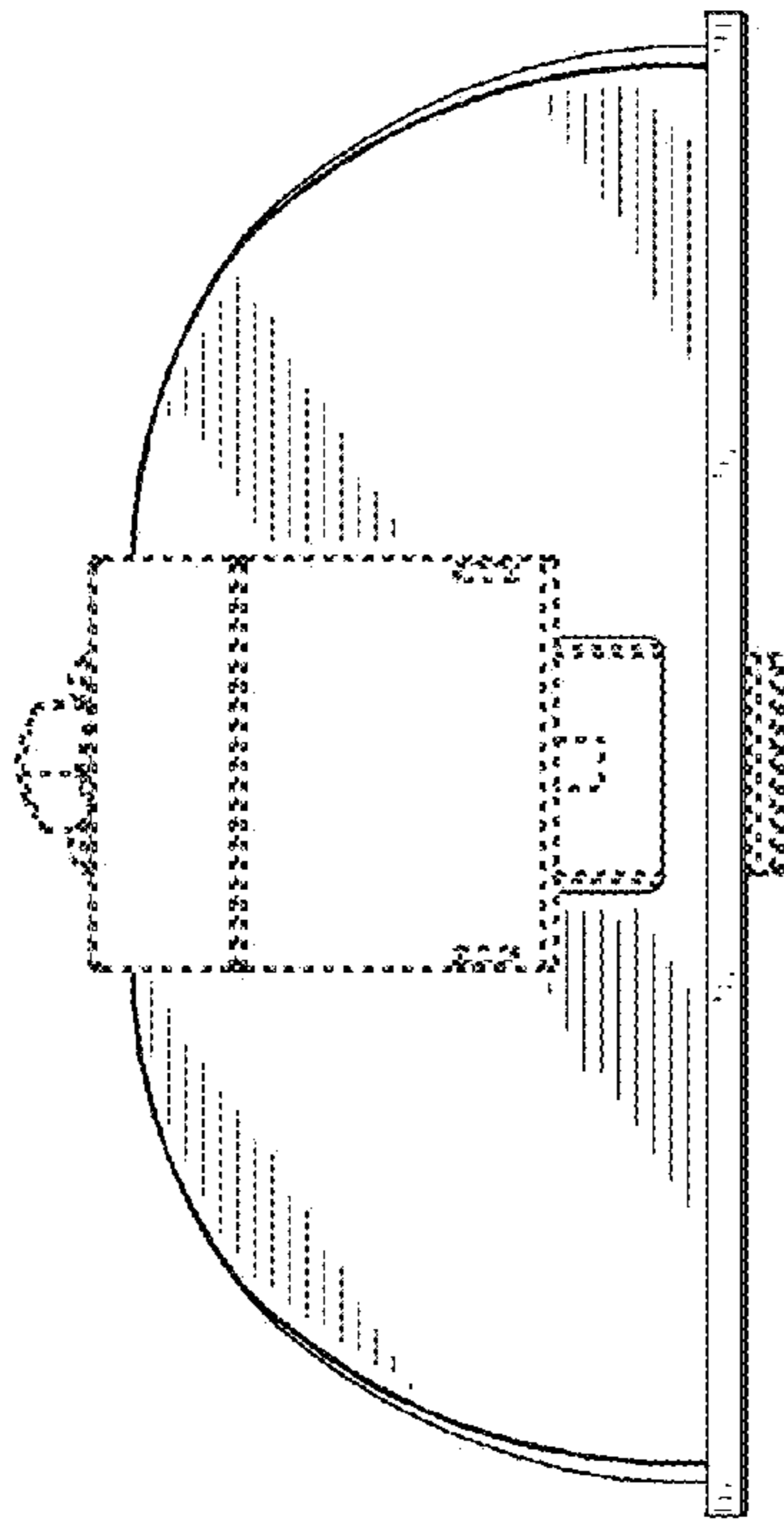


FIG. 8

